



US00D344869S

# United States Patent [19]

[11] Patent Number: **Des. 344,869**

**Paradis et al.**

[45] Date of Patent: **\*\* Mar. 8, 1994**

[54] **CABINET CONTAINED FOLDING TABLE**

[76] Inventors: **Joseph R. Paradis**, 55 Auburn Rd., Londonderry, N.H. 03053; **David A. Hertzog**, Old Lee Rd., Newfields, N.H. 03856

[\*\*] Term: **14 Years**

[21] Appl. No.: **864,564**

[22] Filed: **Apr. 7, 1992**

[52] U.S. Cl. .... **D6/555**

[58] Field of Search ..... **D6/512, 553, 555, 567, D6/397; 312/242, 245; 211/86-87, 126, 134, 186**

[56] **References Cited**

**U.S. PATENT DOCUMENTS**

D. 164,981	10/1951	Hardy et al. ....	D6/555
D. 295,007	4/1988	Boggs .....	D6/555
D. 330,986	11/1992	Lau .....	D6/555
4,155,609	5/1979	Skafta et al. ....	312/245

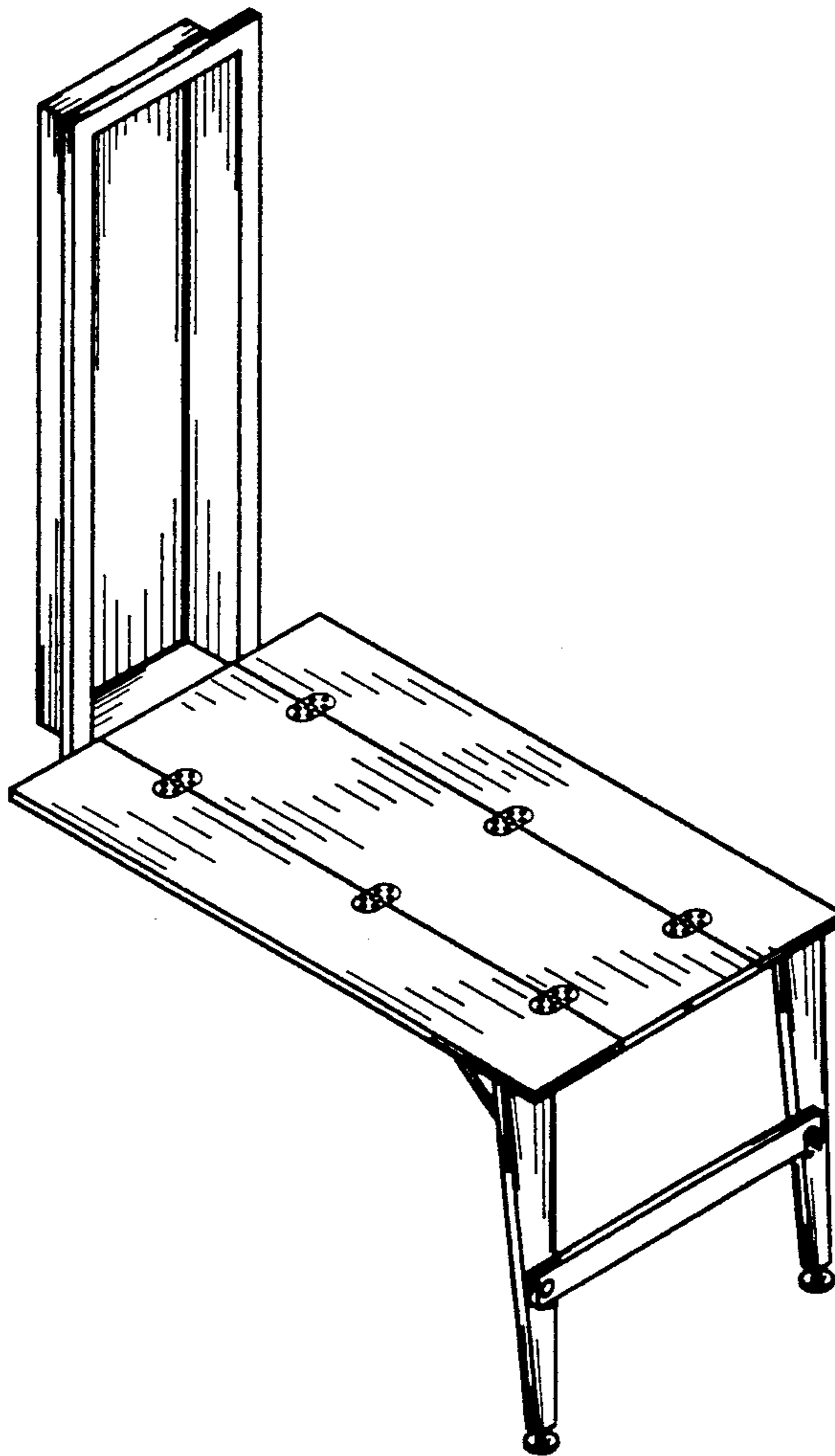
*Primary Examiner*—Brian N. Vinson  
*Attorney, Agent, or Firm*—Davis, Bujold & Streck

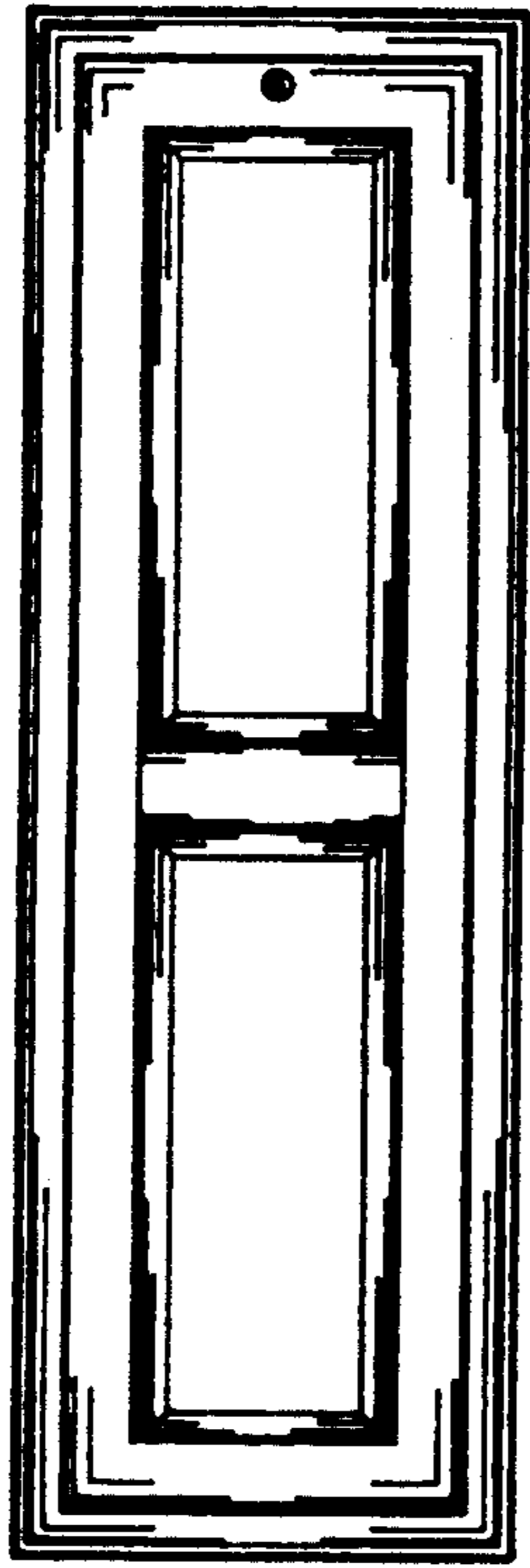
[57] **CLAIM**

The ornamental design for a cabinet contained folding table, as shown and described.

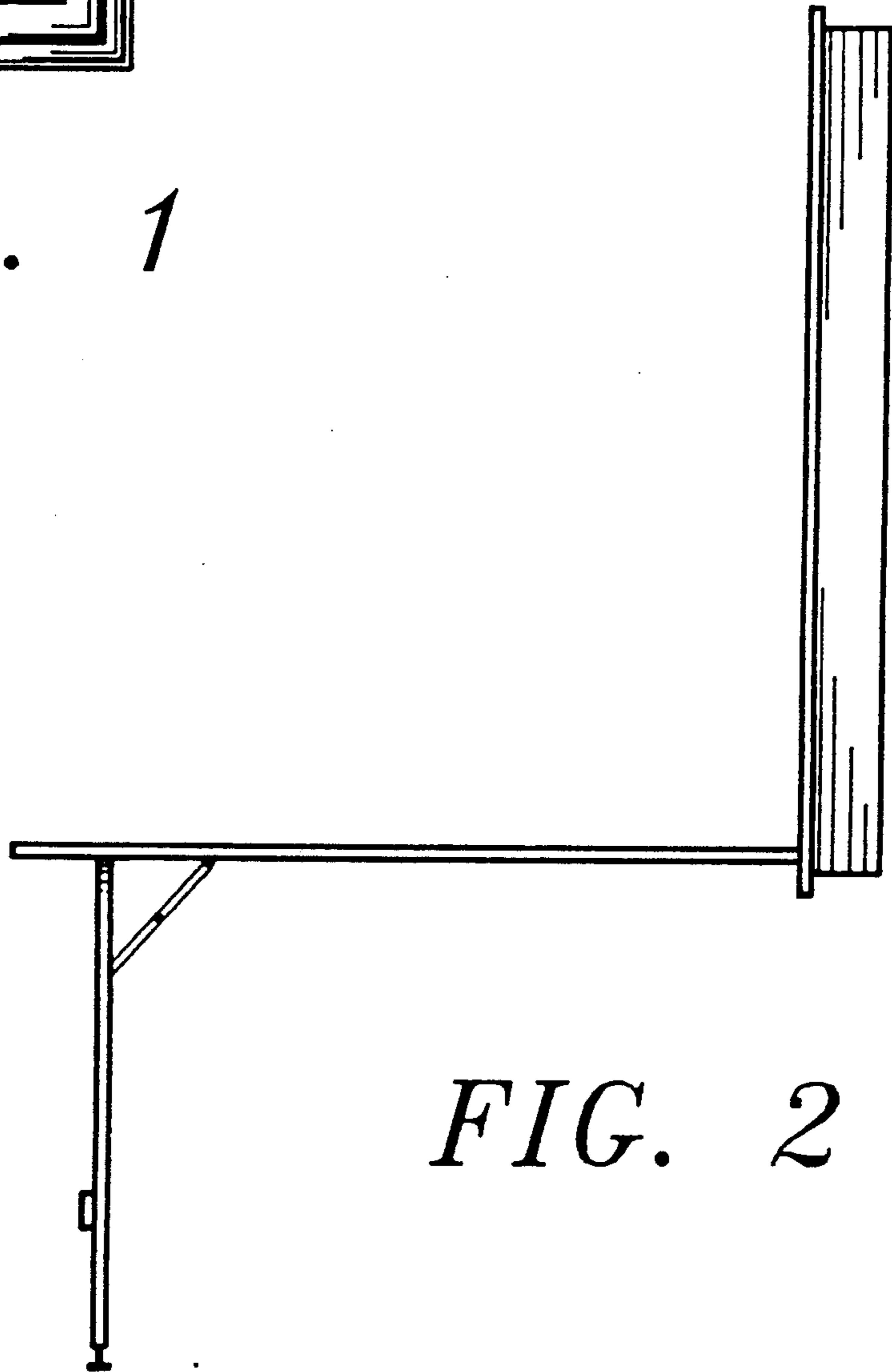
**DESCRIPTION**

FIG. 1 is a front elevational view of a cabinet-contained folding table showing our new design, shown in a fully closed position;  
FIG. 2 is a right side elevational view thereof, shown in a fully opened position, the left side being a mirror image of that shown;  
FIG. 3 is a top plan view thereof;  
FIG. 4 is a front elevational view thereof;  
FIG. 5 is a rear elevational view thereof, shown in a fully closed position;  
FIG. 6 is a bottom plan view thereof;  
FIG. 7 is a top, front, and left side perspective view thereof;  
FIG. 8 is a rear elevational view thereof;  
FIG. 9 is a front elevational view of an alternate embodiment thereof, the only difference residing in the back wall of the cabinet portion; and,  
FIG. 10 is a rear elevational view of the alternate embodiment thereof, shown in a fully closed position.

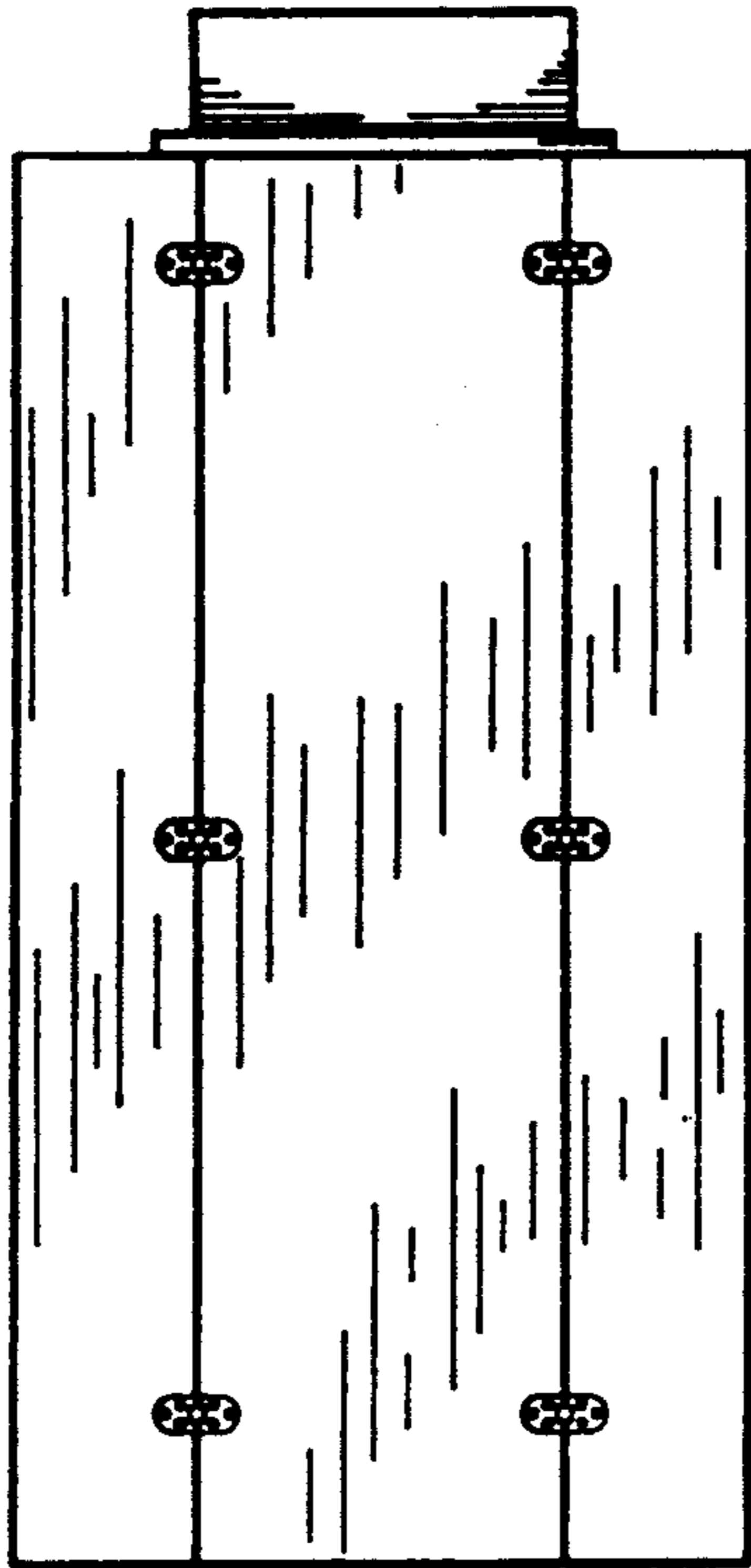




*FIG. 1*

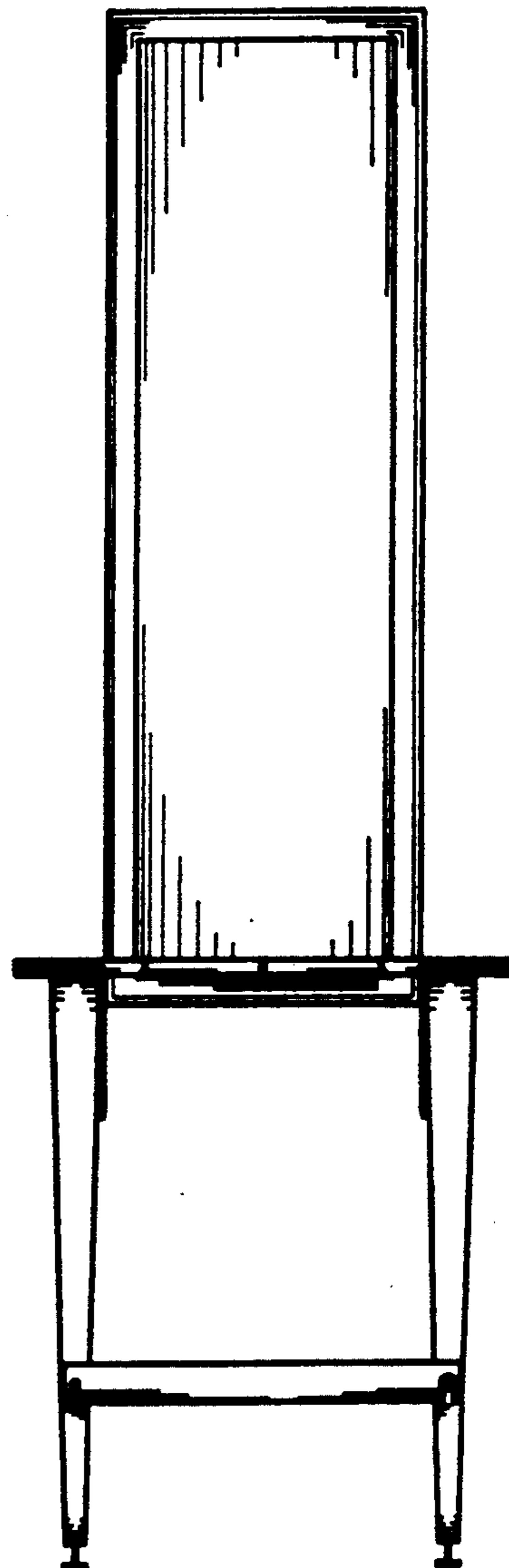


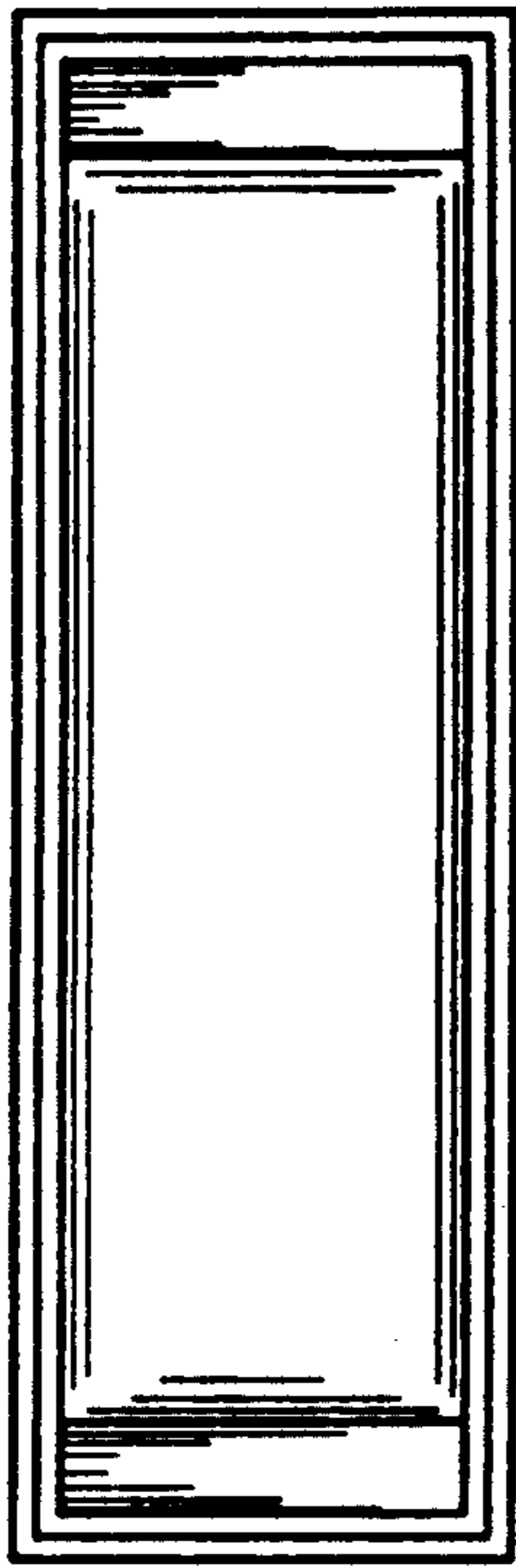
*FIG. 2*



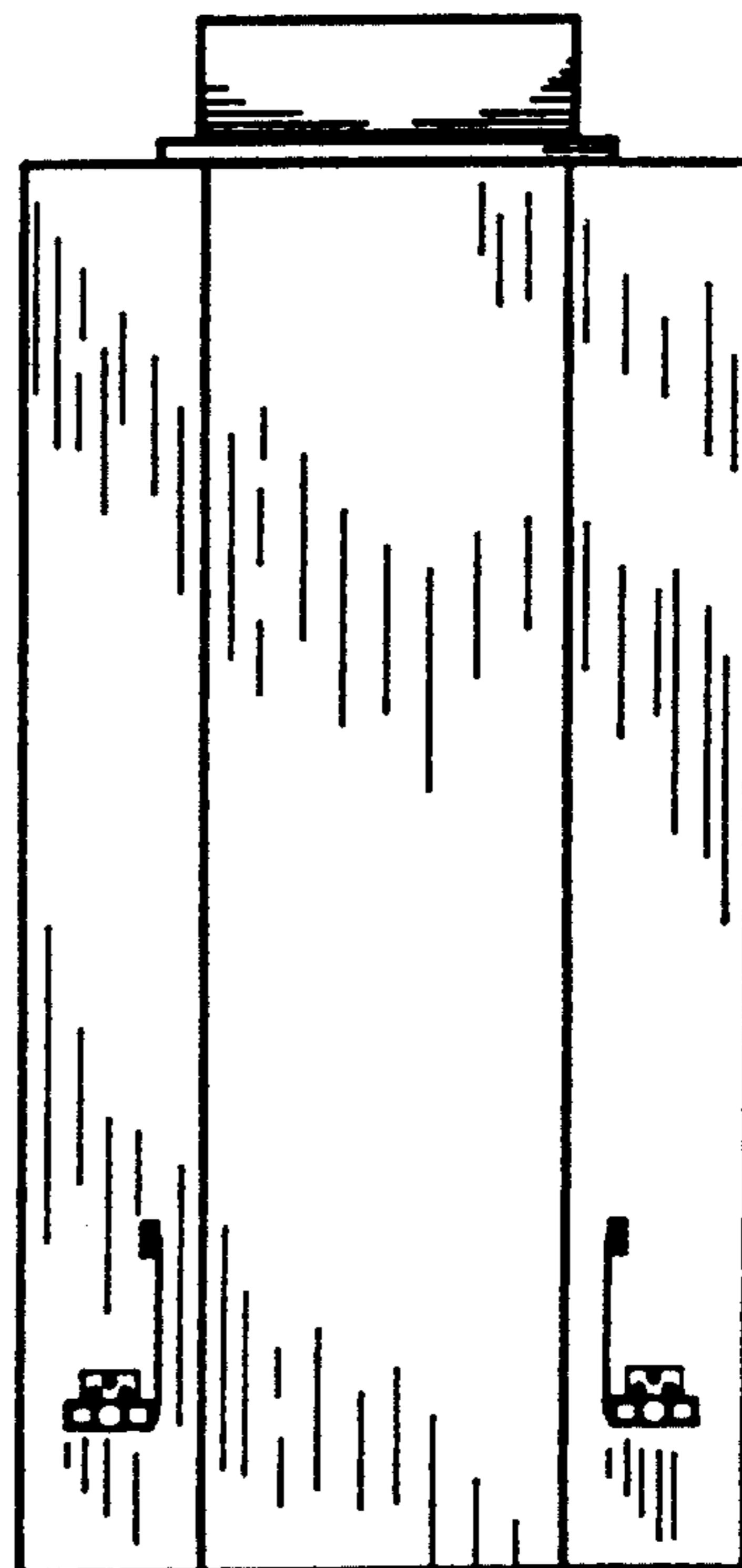
*FIG. 3*

*FIG. 4*

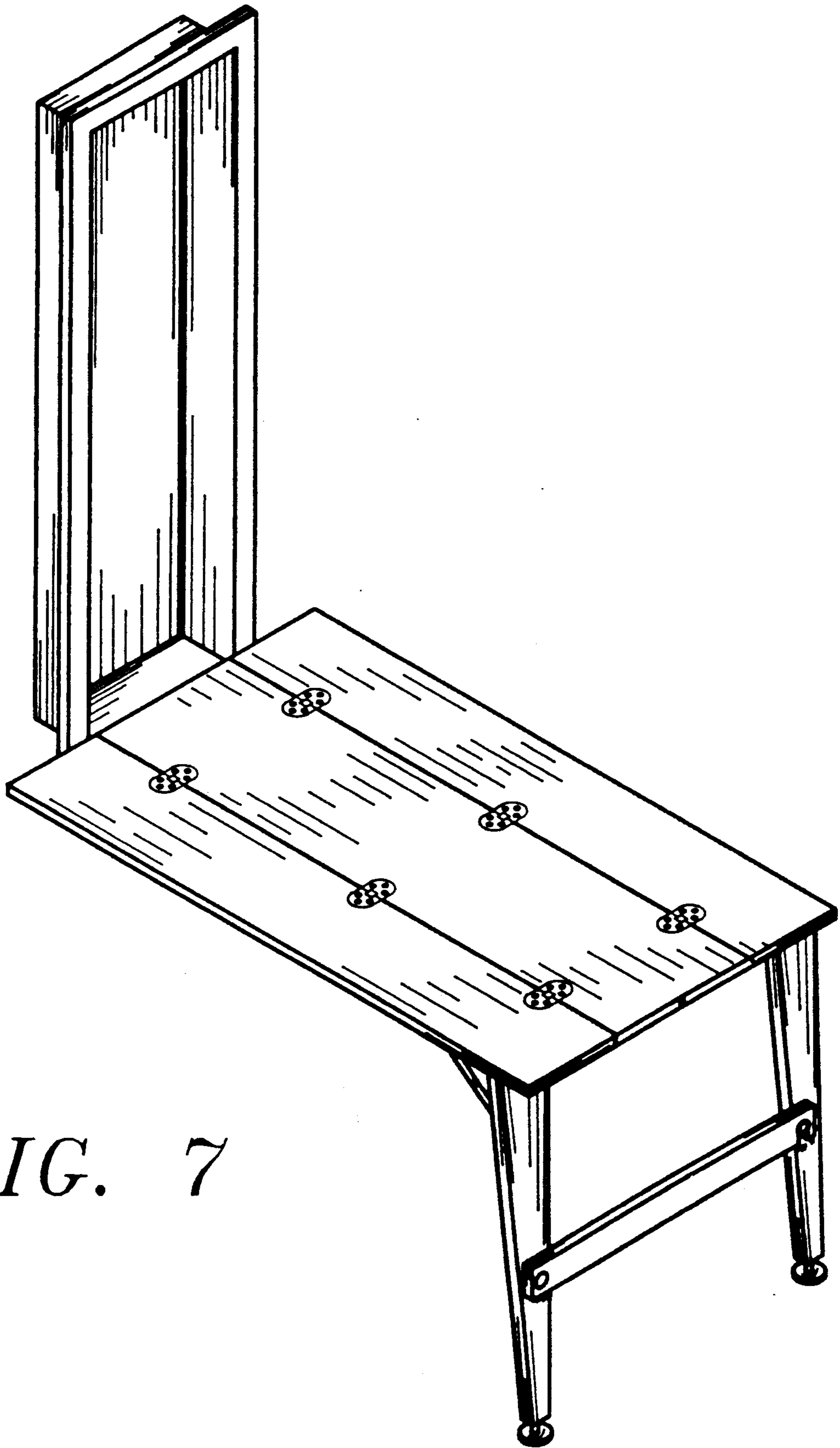




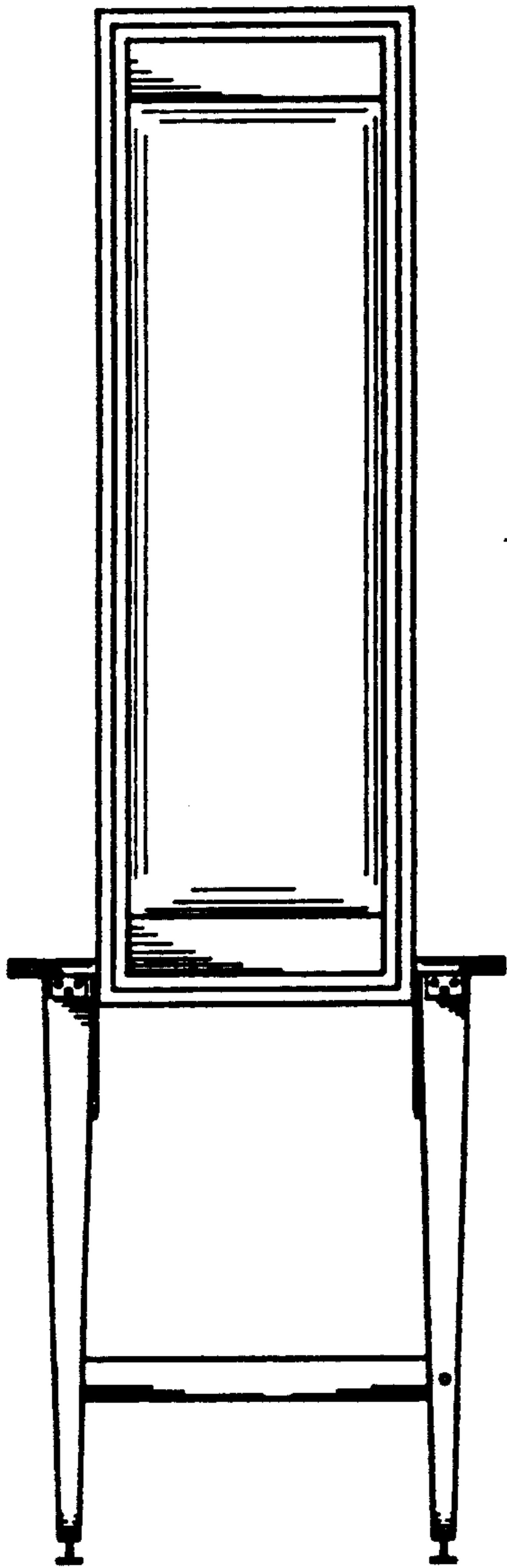
*FIG. 5*



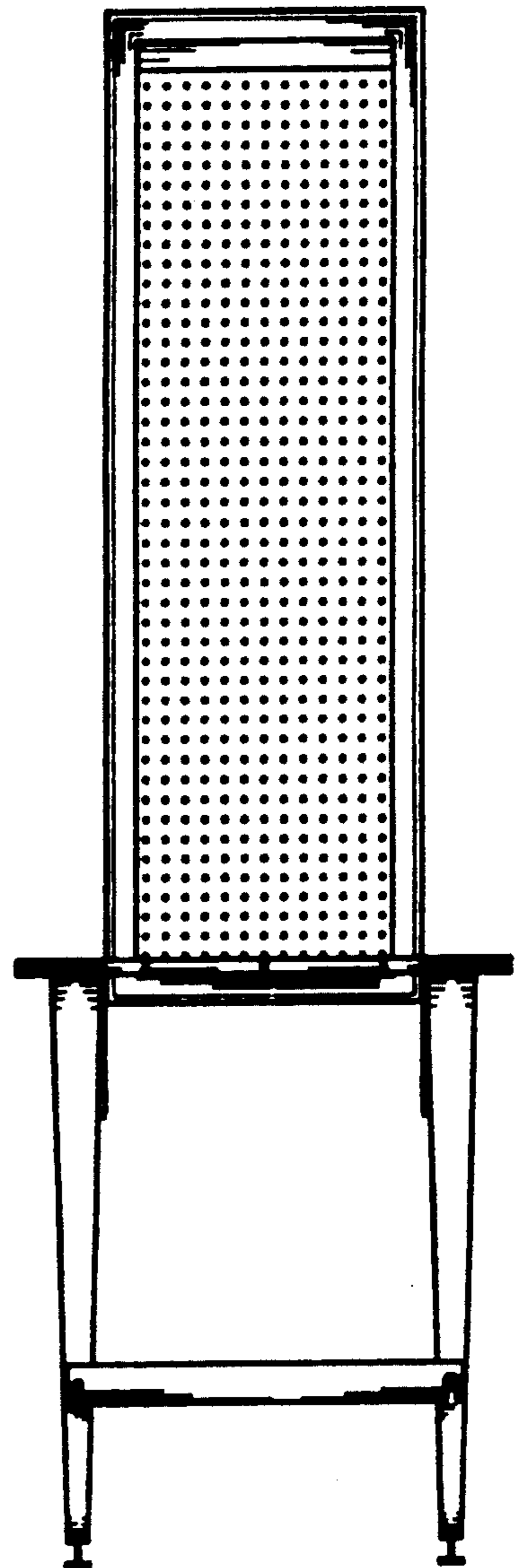
*FIG. 6*



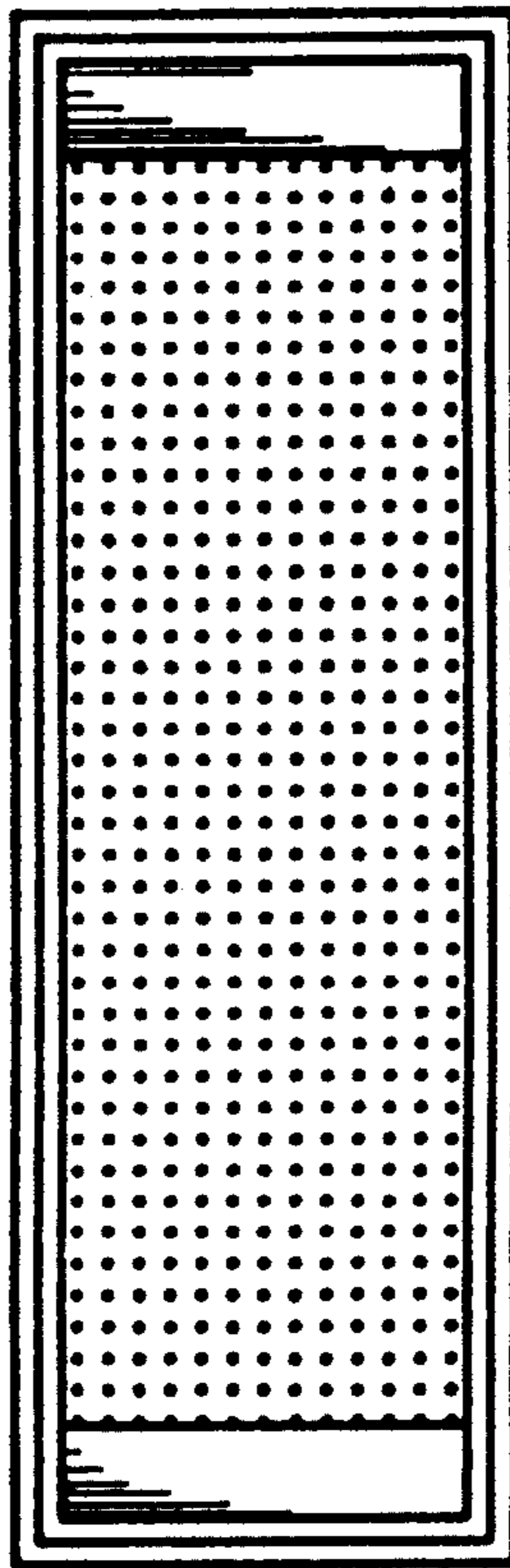
*FIG. 7*



*FIG. 8*



*FIG. 9*



*FIG. 10*