



US00D344867S

United States Patent [19]
Sutherland

[11] **Patent Number: Des. 344,867**
[45] **Date of Patent: ** Mar. 8, 1994**

[54] **WALL PILLAR PLANT HANGER**
[76] **Inventor: Leonard W. Sutherland, 3044 W. Windrose, Phoenix, Ariz. 85029**
[**] **Term: 14 Years**
[21] **Appl. No.: 897,955**
[22] **Filed: Jun. 12, 1992**
[52] **U.S. Cl. D6/513**
[58] **Field of Search D6/512-514, D6/567, 574; 211/71, 86-88, 113, 126, 134**

1,750,624 3/1930 Buedingen D6/513 X

Primary Examiner—Brian N. Vinson
Attorney, Agent, or Firm—James F. Duffy; Richard R. Mybeck

[57] **CLAIM**

The ornamental design for a wall pillar plant hanger, as shown and described.

DESCRIPTION

FIG. 1 is the upper left perspective view of a wall pillar plant hanger showing my new design; FIG. 2 is a right side view of the design, the left side view being a mirror image thereof; FIG. 3 is a front elevational view thereof; FIG. 4 is a top plan view thereof; and, FIG. 5 is a bottom plan view thereof.

[56] **References Cited**

U.S. PATENT DOCUMENTS

D. 306,944 4/1990 Urena D6/513
D. 307,877 5/1990 White, Jr. D6/514 X
D. 332,724 1/1993 Porter D6/567 X

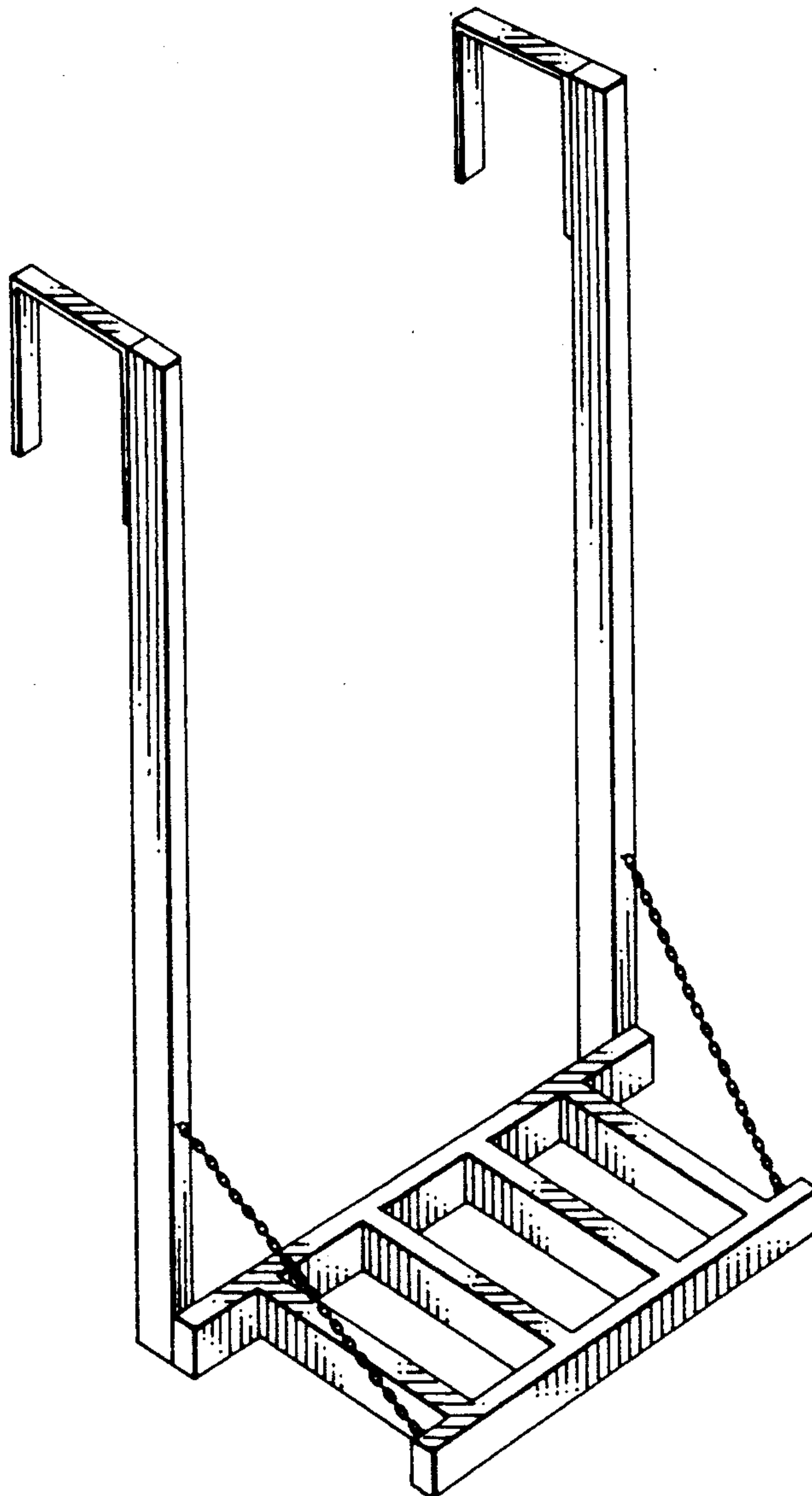


FIG. 1

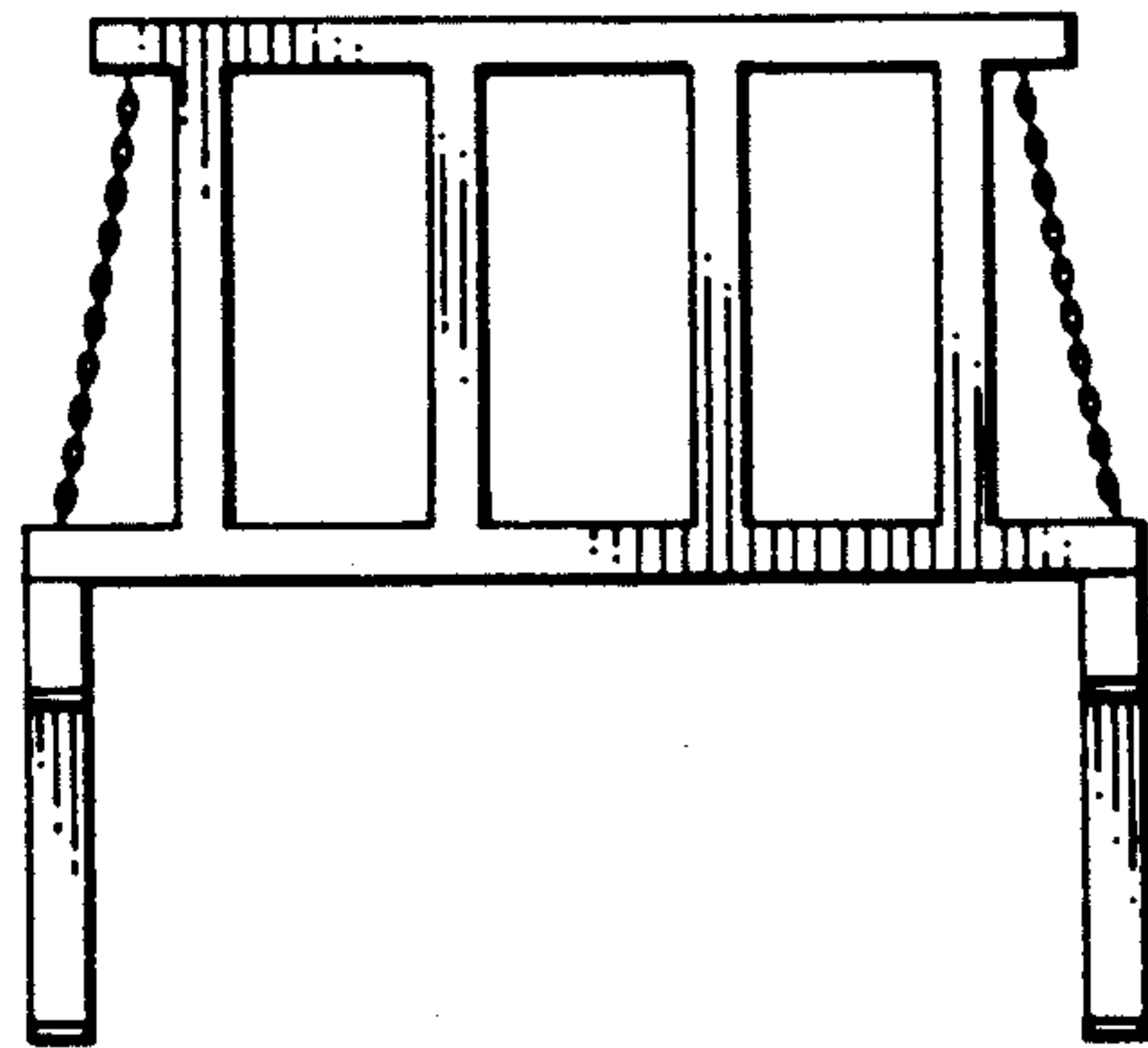
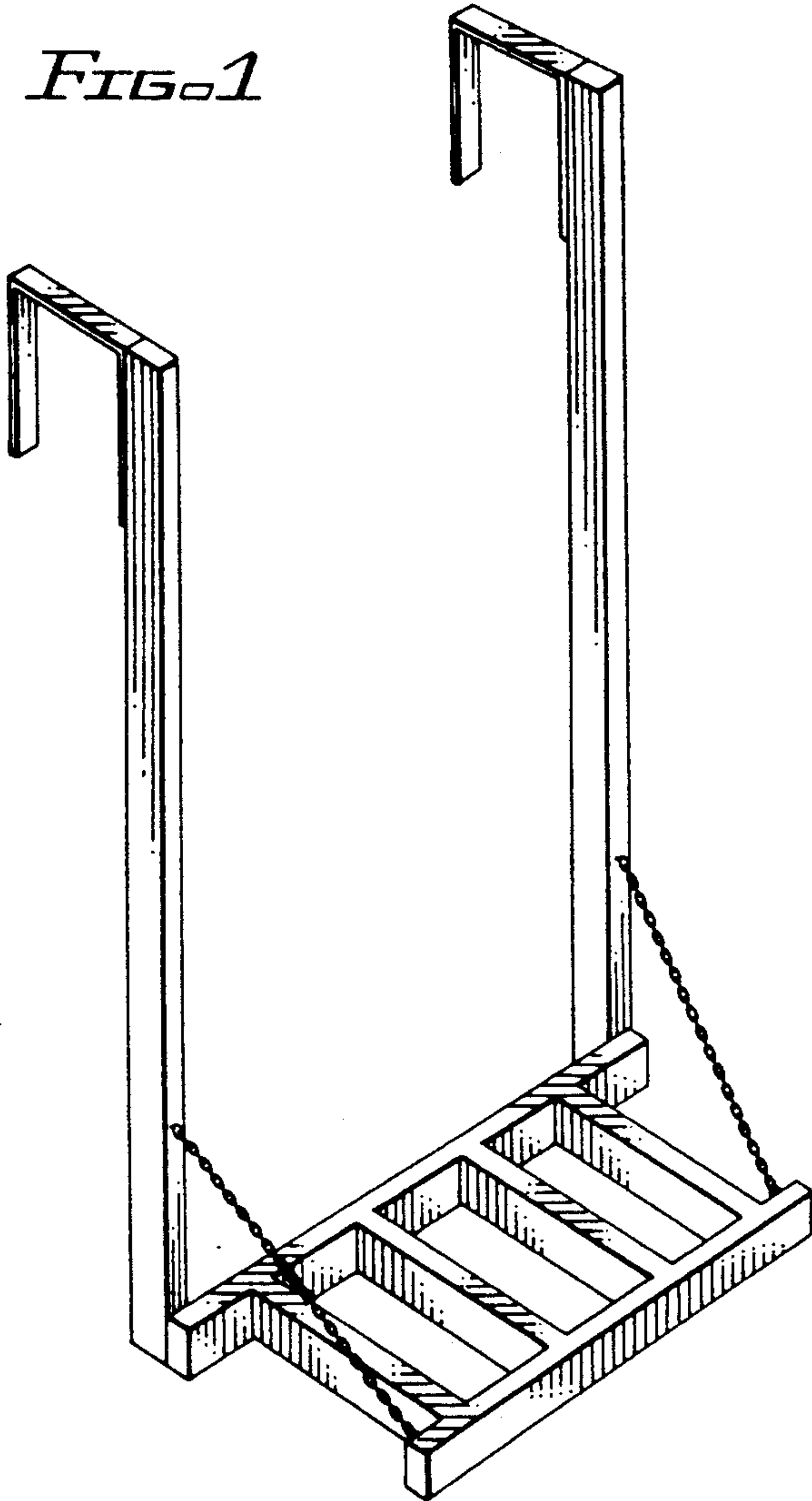


FIG. 5

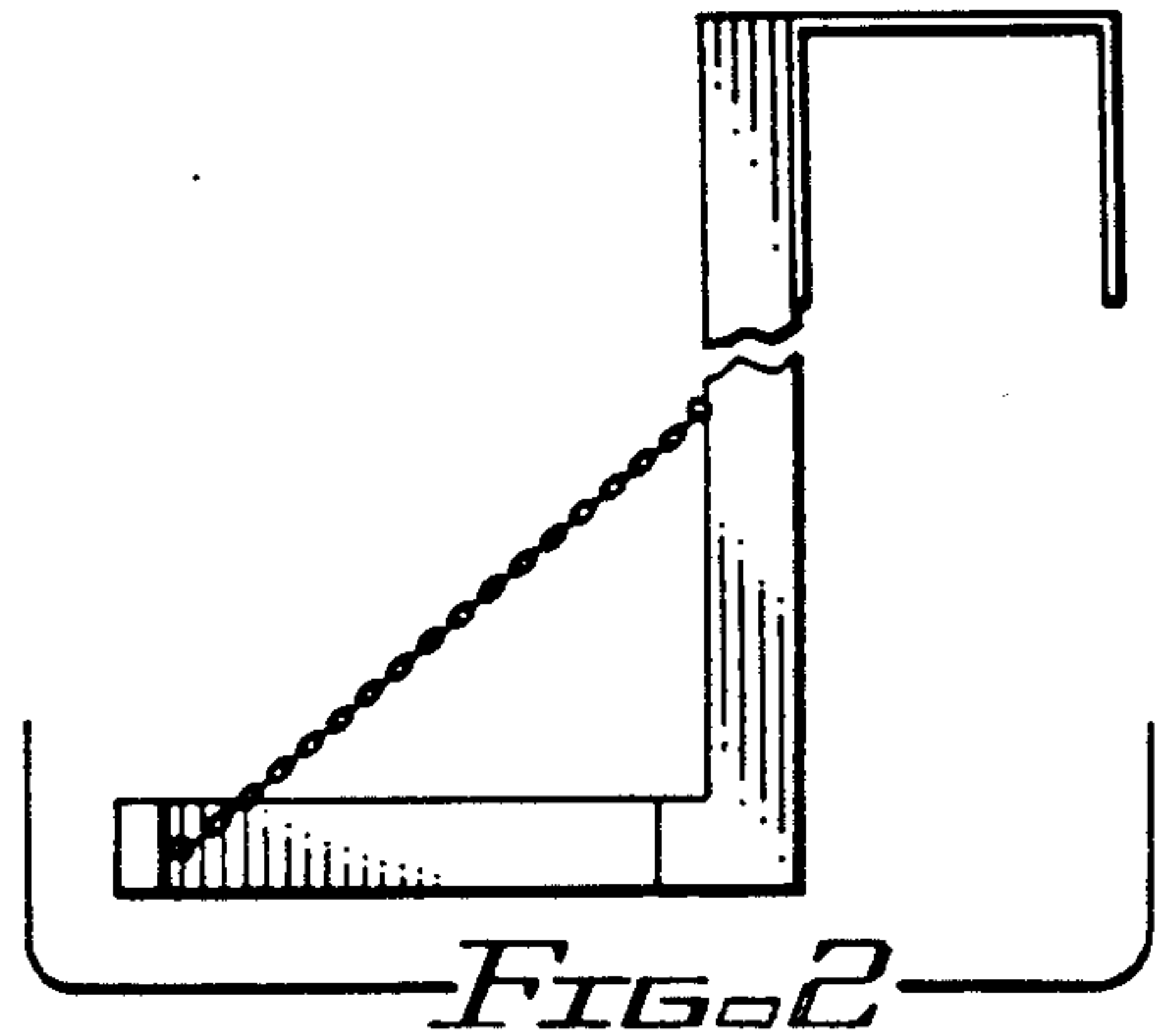


FIG. 2

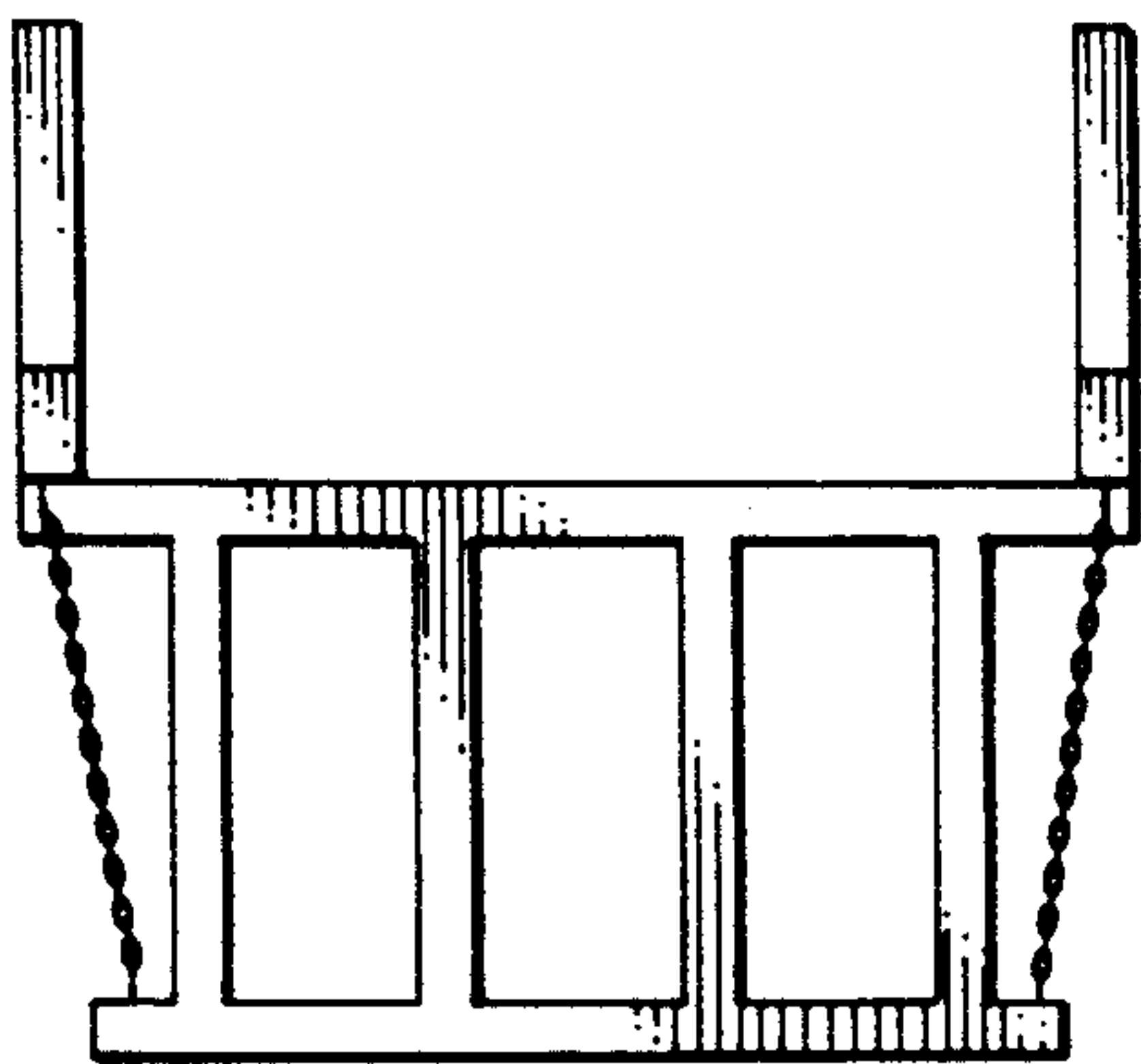


FIG. 4

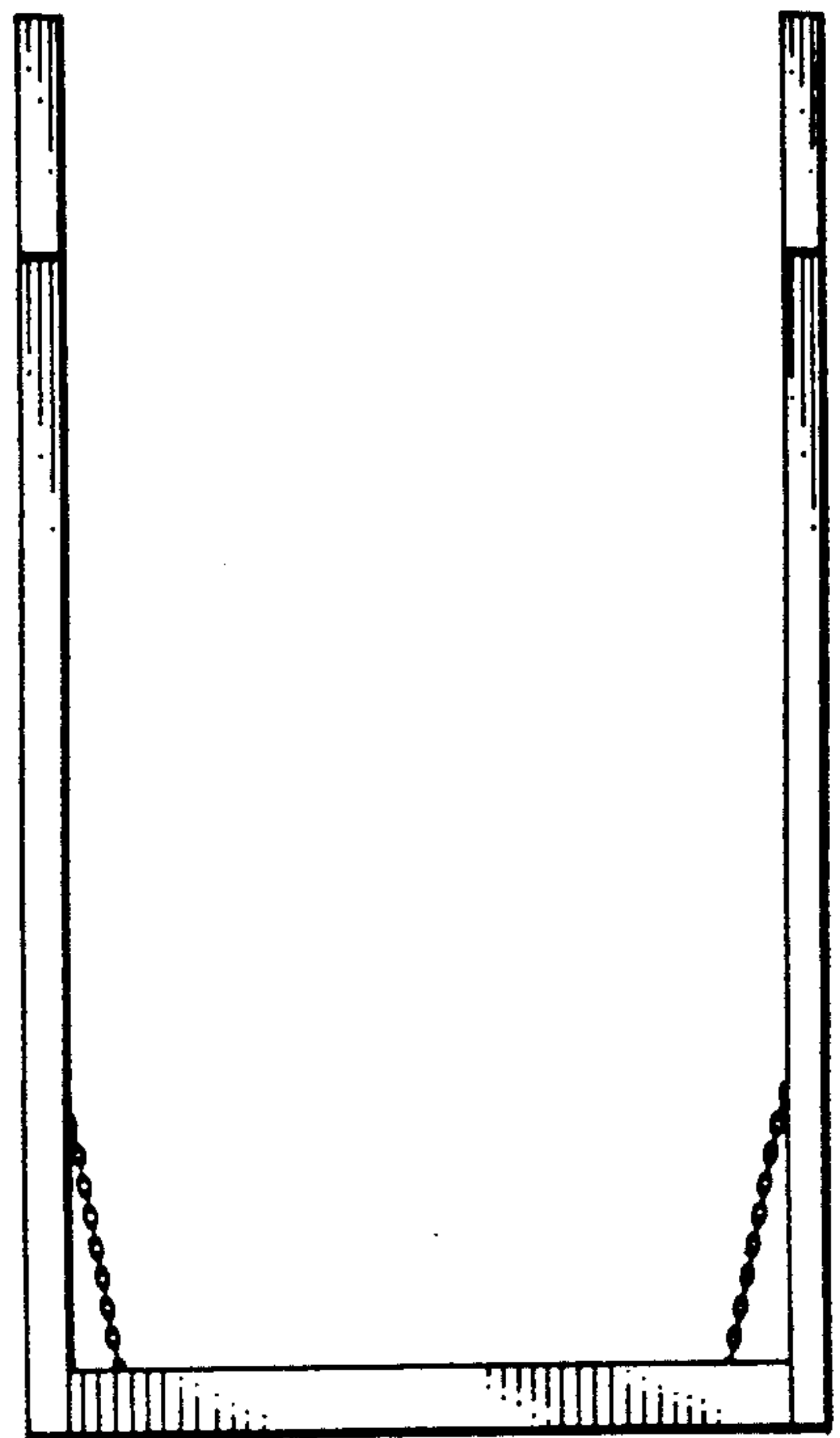


FIG. 3