



US00D344864S

# United States Patent [19]

[11] Patent Number: **Des. 344,864**

**Leonard**

[45] Date of Patent: **\*\* Mar. 8, 1994**

[54] **DESK**

D. 194,848 3/1963 Monteverdi ..... D6/427  
D. 266,463 10/1982 Scott ..... D6/429 X  
D. 327,184 6/1992 Rosen ..... D6/427

[76] Inventor: **Miranda Leonard, 492 Beacon St., Boston, Mass. 02115**

*Primary Examiner*—Carmen H. Vales-Lado  
*Attorney, Agent, or Firm*—Townsend & Townsend  
Khourie & Crew

[\*\*] Term: **14 Years**

[21] Appl. No.: **831,279**

### [57] CLAIM

[22] Filed: **Feb. 6, 1992**

The ornamental design for a desk, as shown and described.

[52] U.S. Cl. .... **D6/427; D6/426**

[58] Field of Search ..... **D6/422-428; 312/194-196; 108/59, 92**

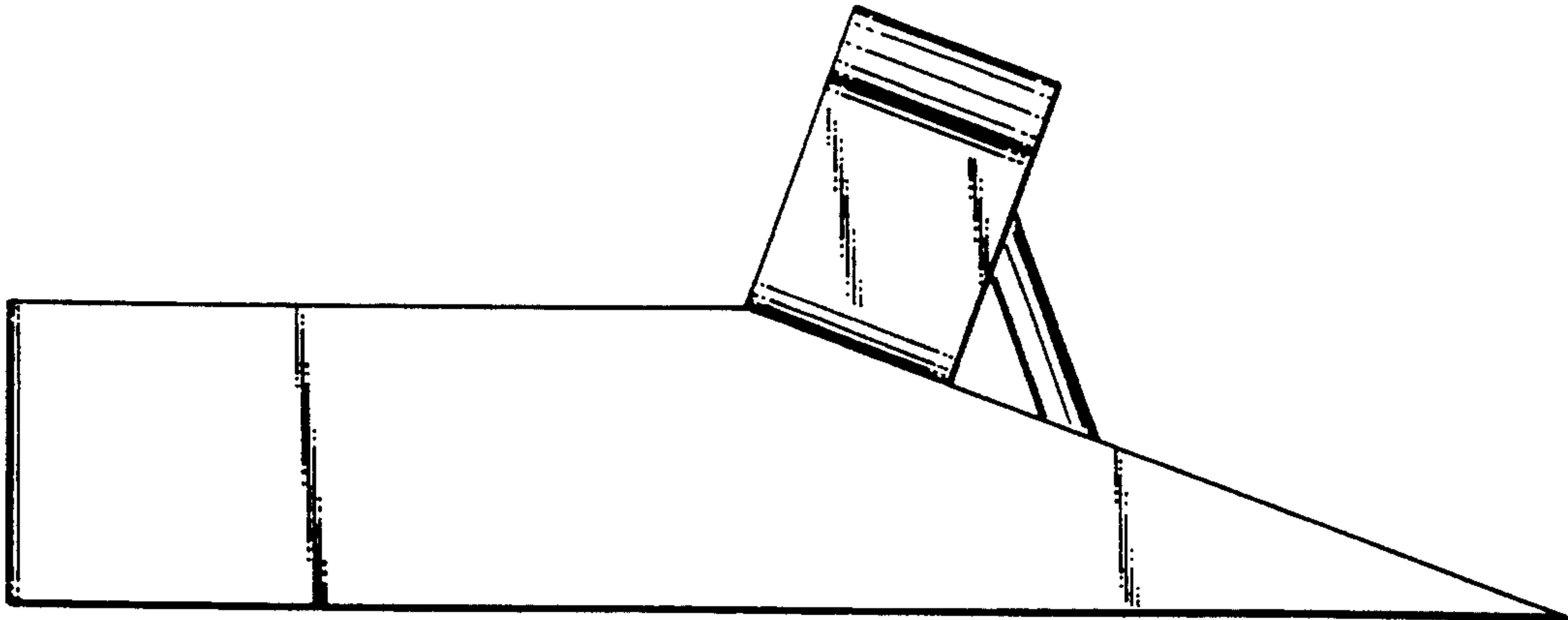
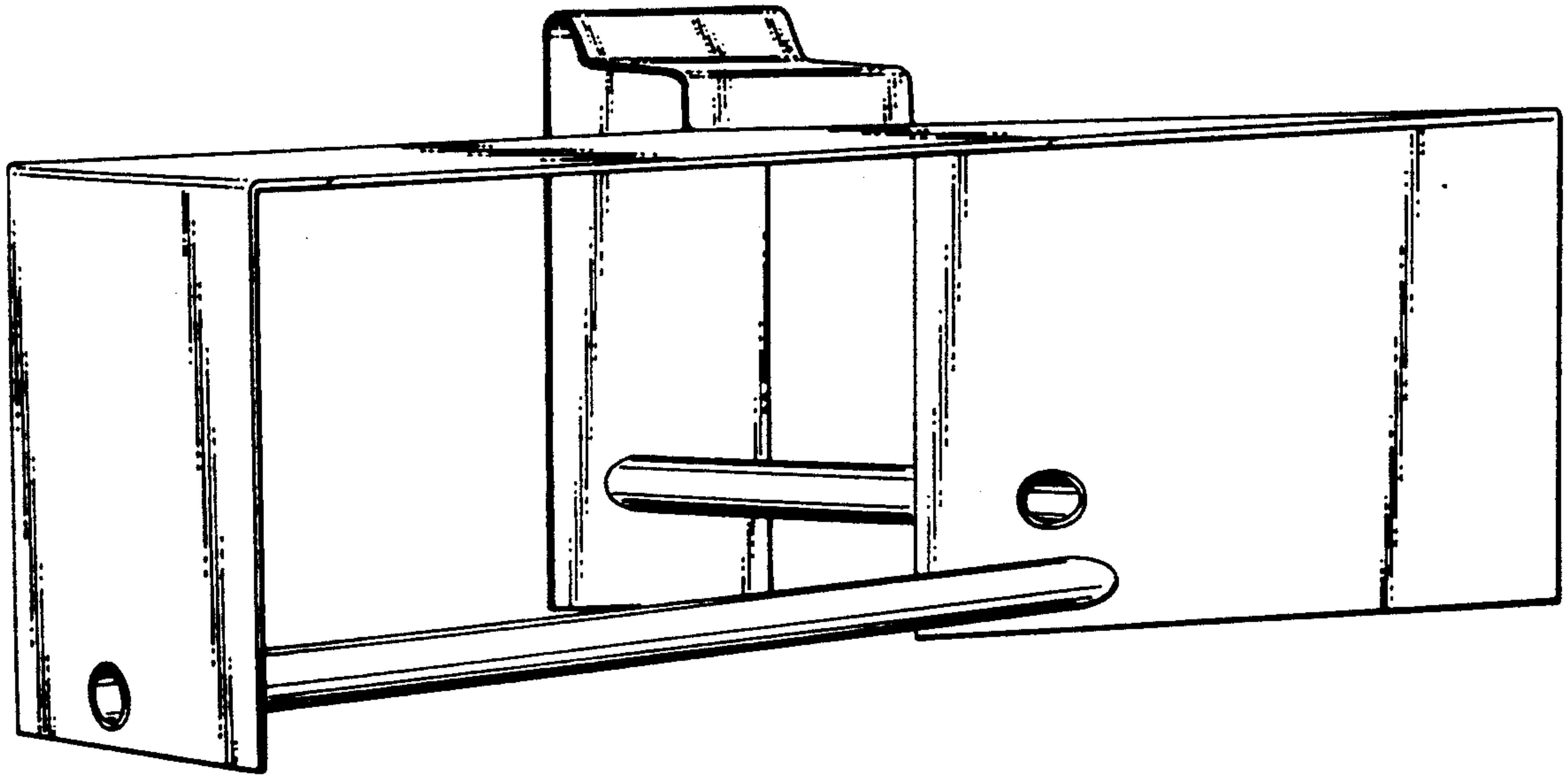
### DESCRIPTION

### [56] References Cited

#### U.S. PATENT DOCUMENTS

D. 57,401 3/1921 Ticky ..... D6/419 X  
D. 164,425 9/1951 Janes ..... D6/427  
D. 168,027 10/1952 Garrett ..... D6/427  
D. 168,525 12/1952 Thomas ..... D6/426  
D. 169,388 4/1953 Placke ..... D6/427 X

FIG. 1 is a front, left side perspective view of a desk showing my new design;  
FIG. 2 is a top plan view thereof;  
FIG. 3 is a front elevational view thereof;  
FIG. 4 is a left side elevational view thereof;  
FIG. 5 is a right side elevational view thereof;  
FIG. 6 is a rear elevational view thereof; and,  
FIG. 7 is a bottom plan view thereof.



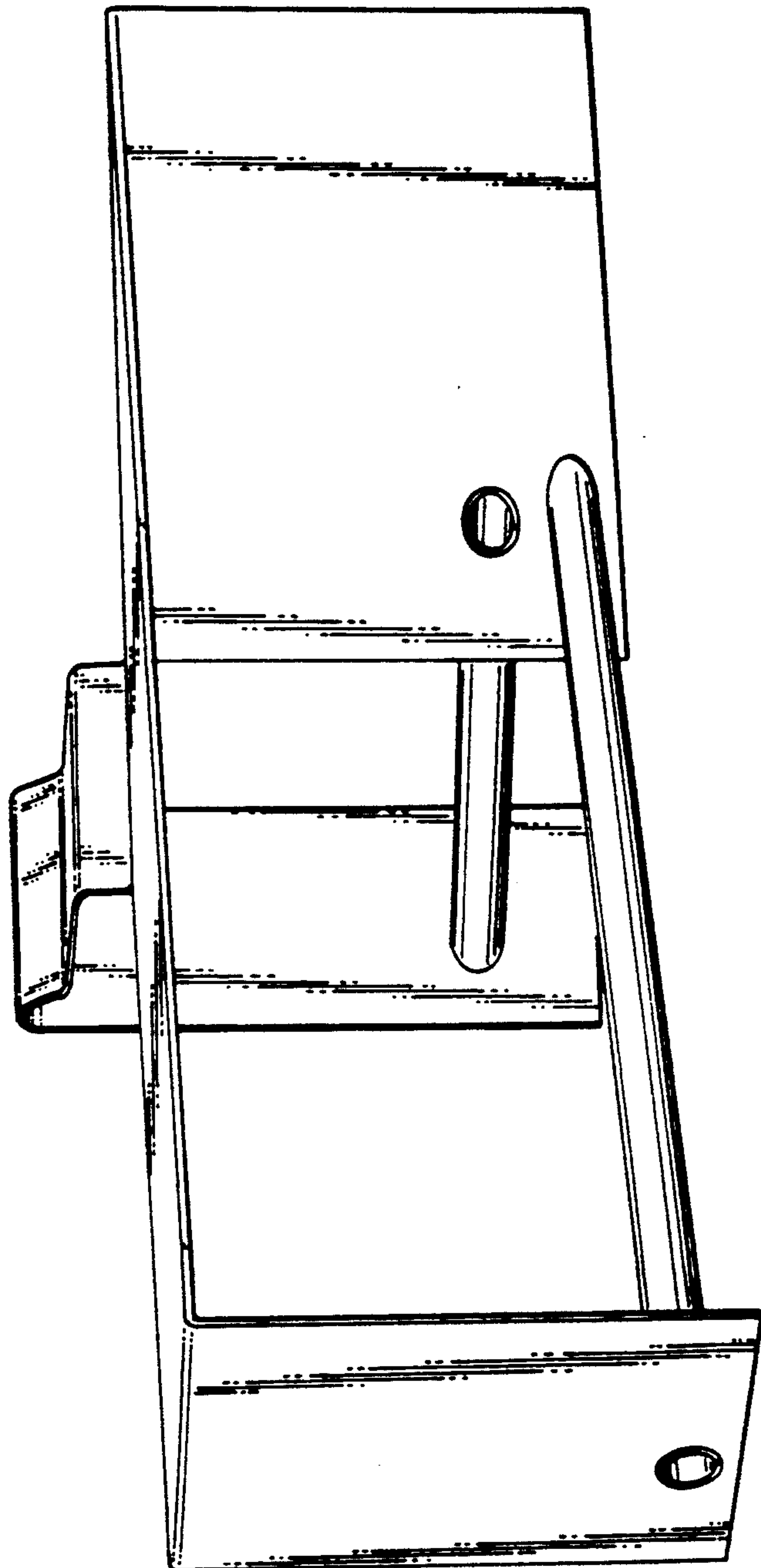


FIG. 1.

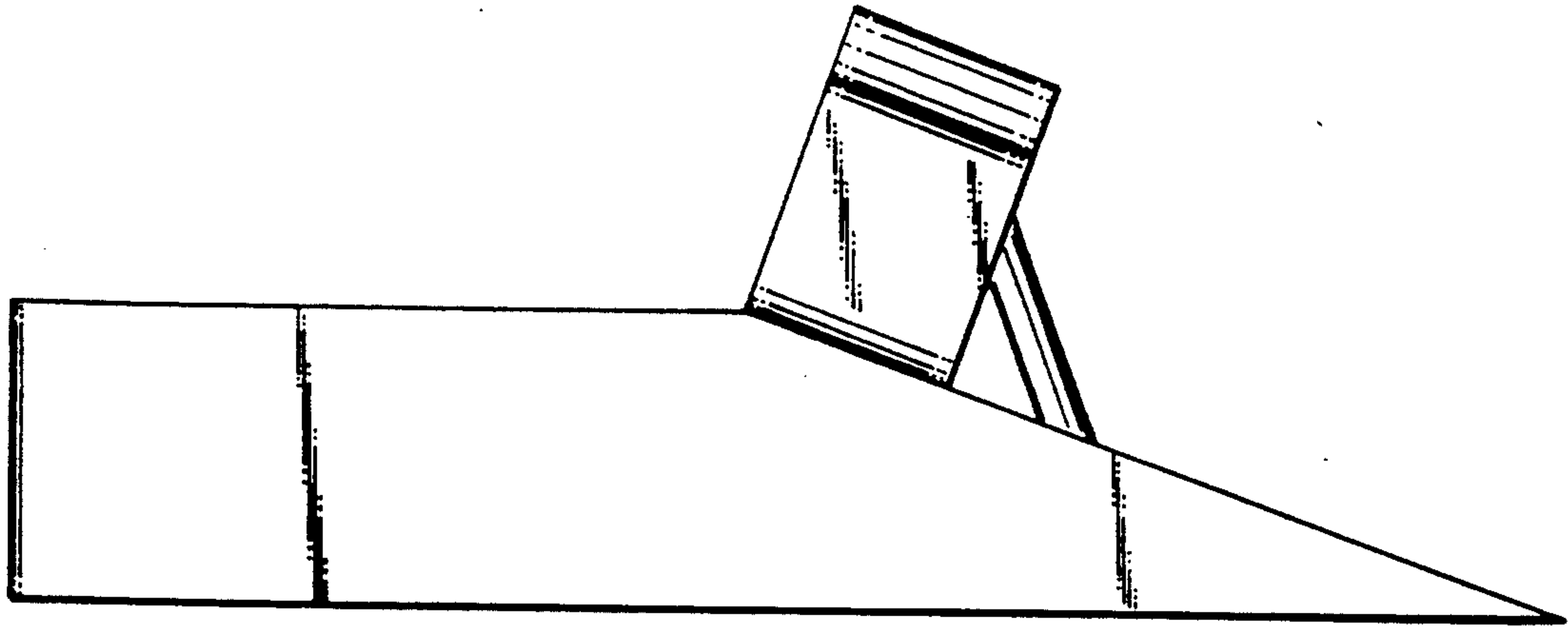


FIG. 2.

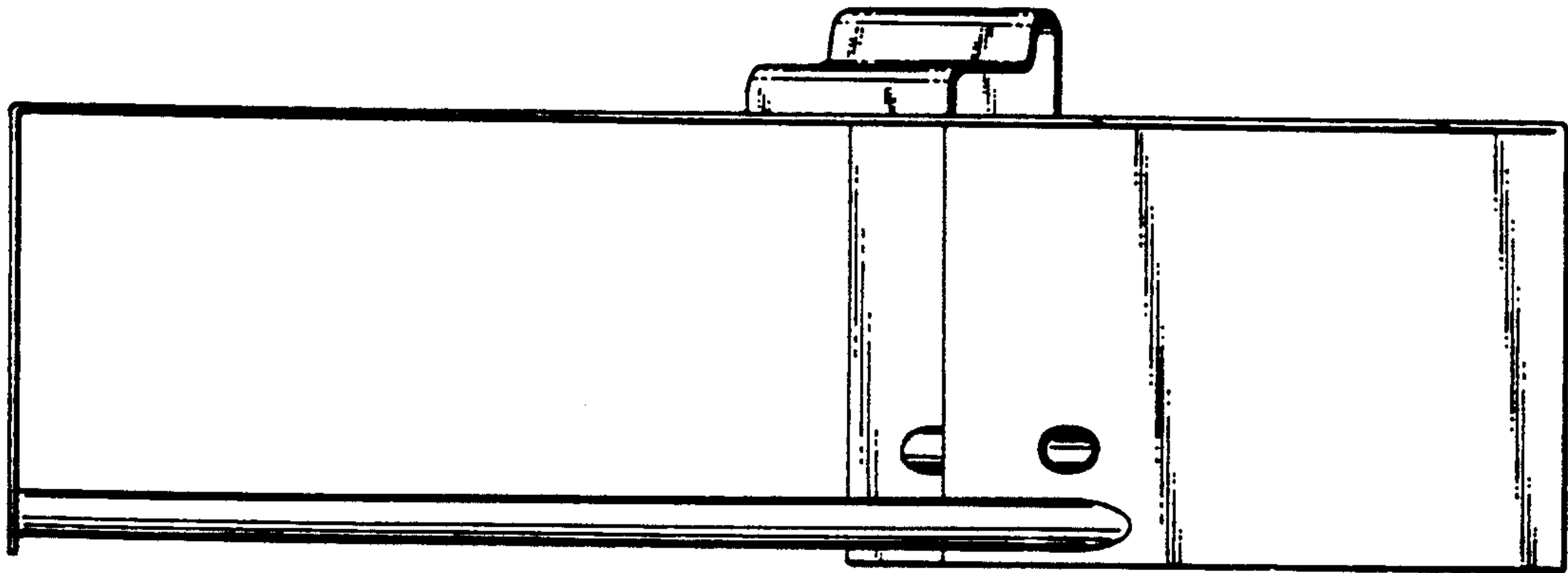


FIG. 3.

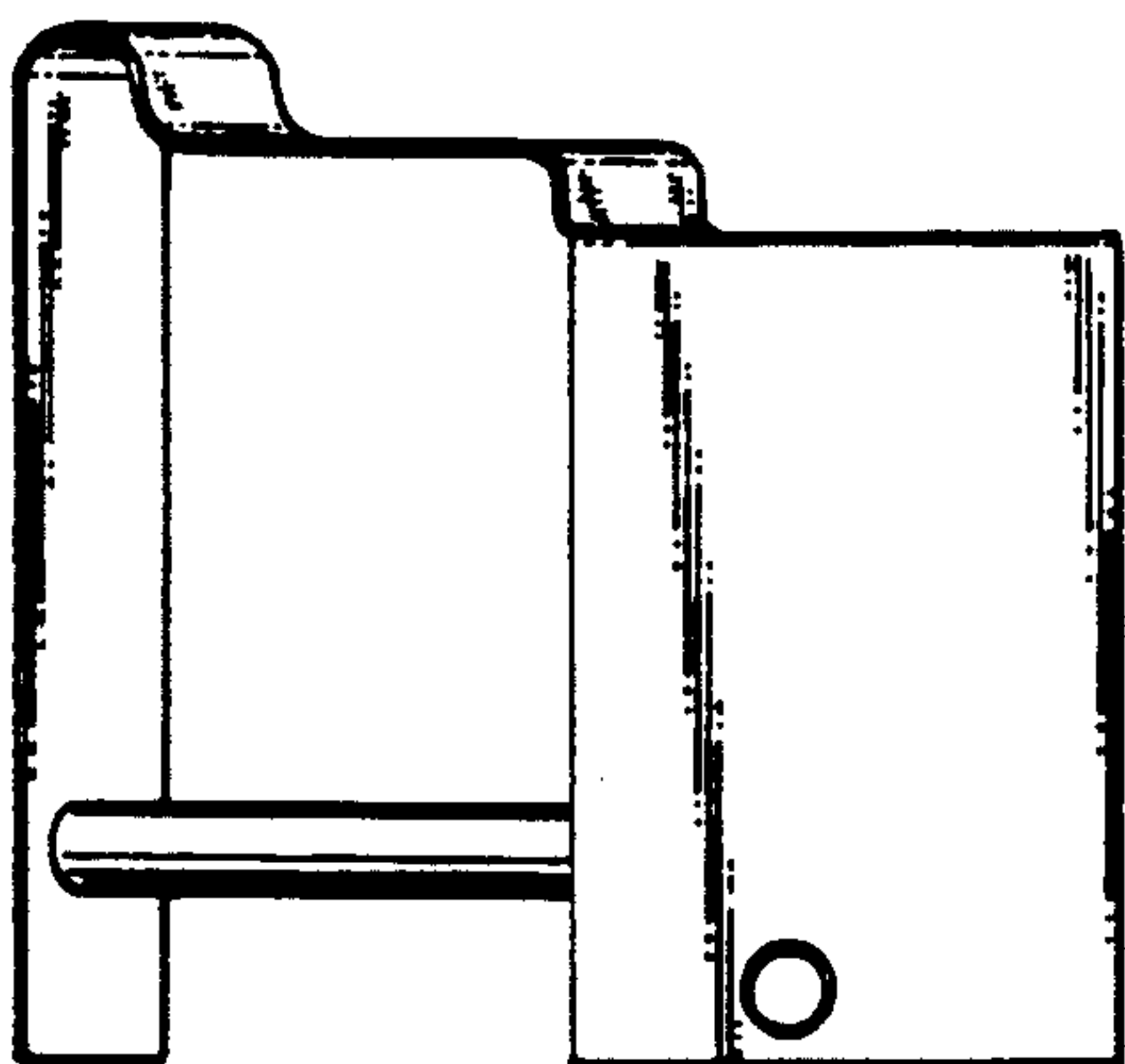


FIG. 4.

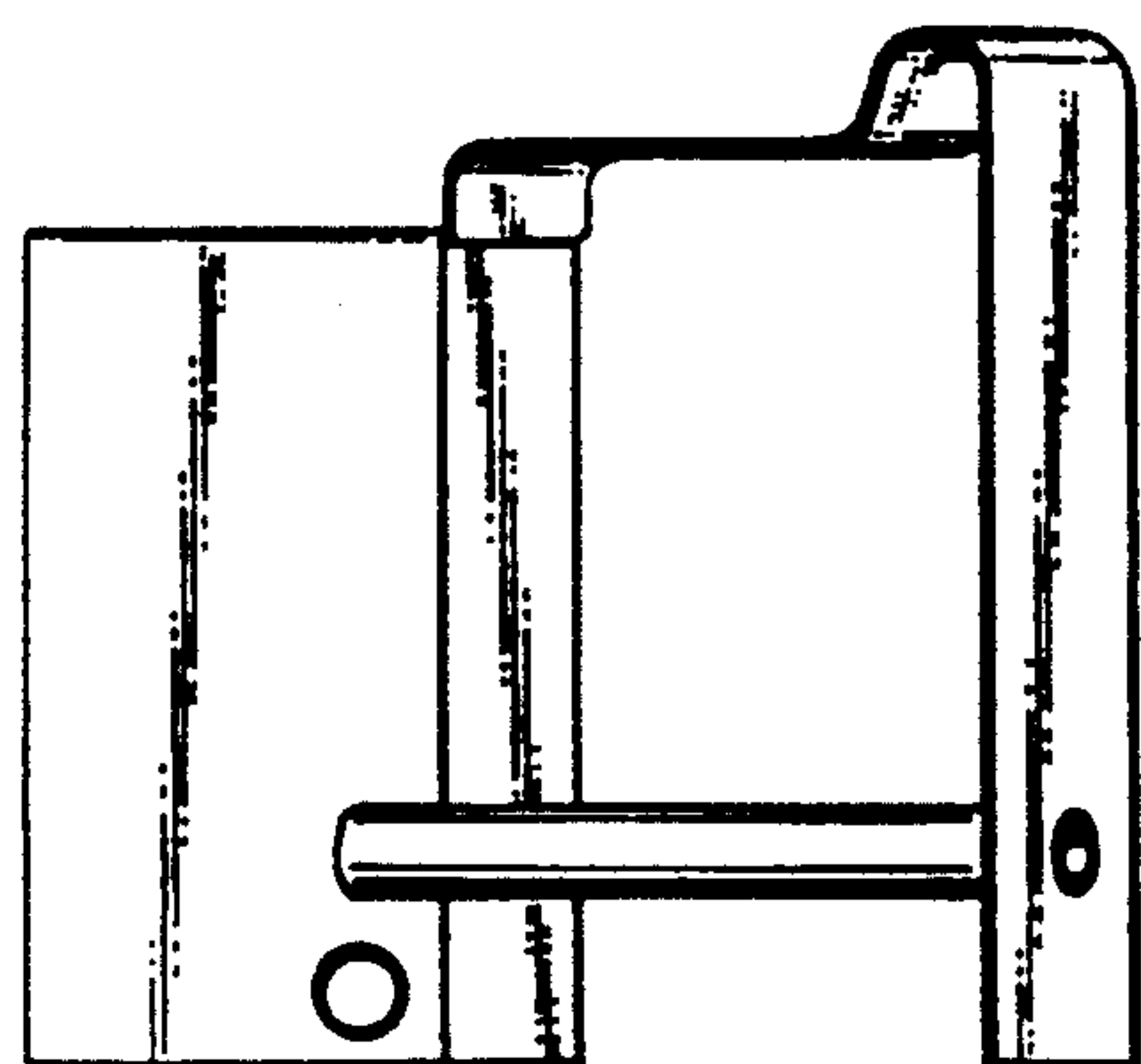


FIG. 5.

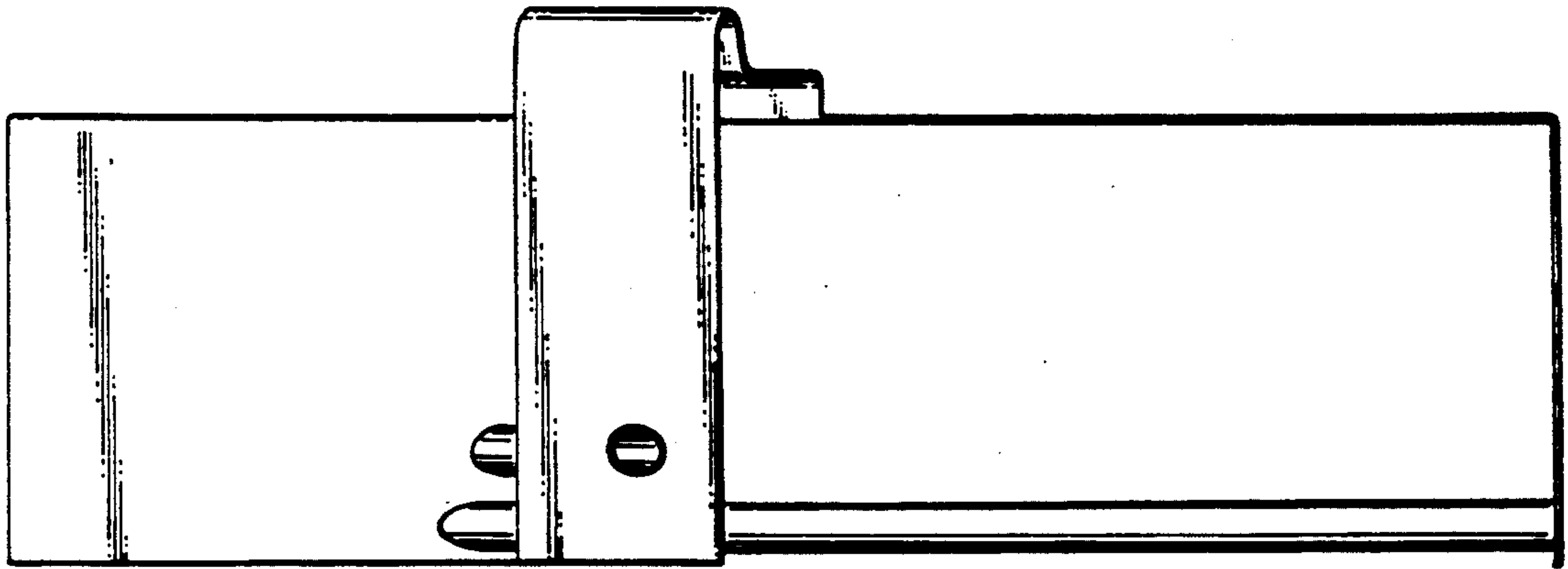


FIG. 6.

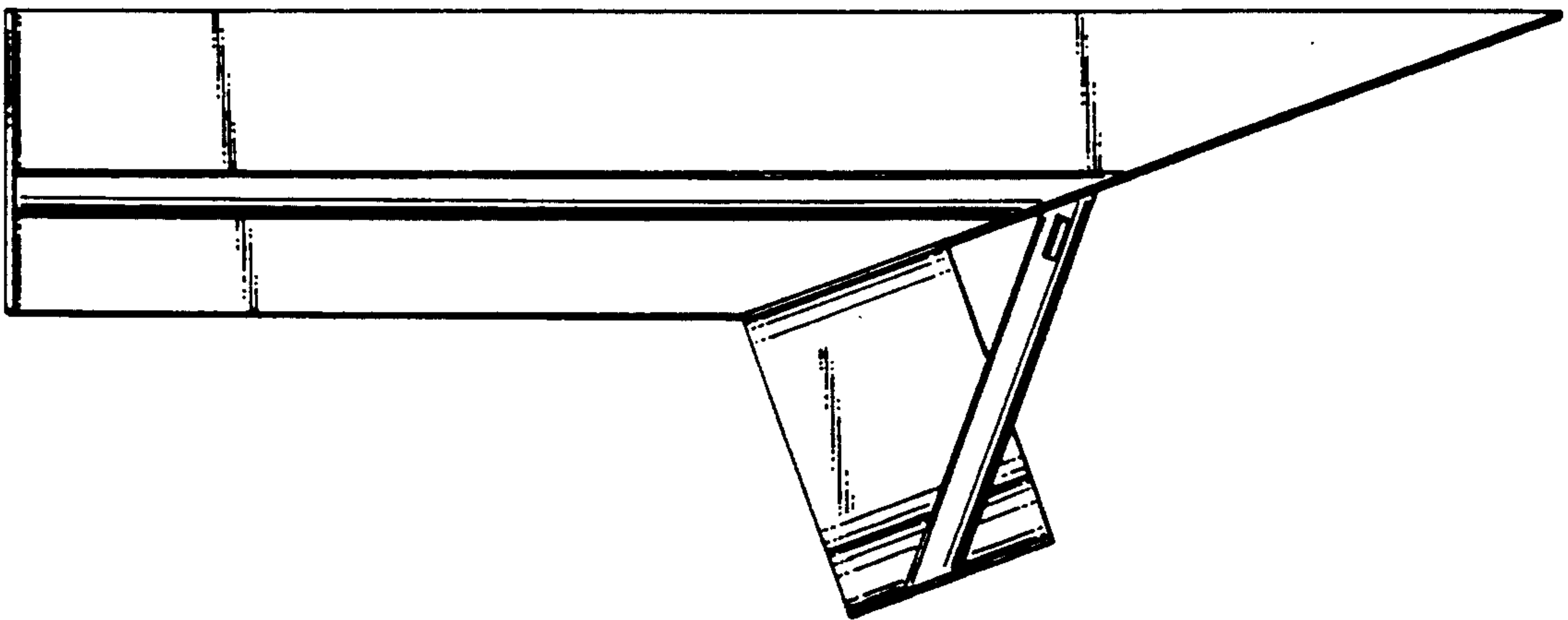


FIG. 7.