



US00D344859S

United States Patent [19]

[11] Patent Number: **Des. 344,859**

Butterfield

[45] Date of Patent: **** Mar. 8, 1994**

[54] FOLDING STOOL

4,630,861 12/1986 Henschel D6/353 X

[76] Inventor: **Russell Butterfield, Rte. 3, Box 32,
Chippewa Falls, Wis. 54729**

Primary Examiner—Nelson C. Holtje
Assistant Examiner—J. E. Seeger
Attorney, Agent, or Firm—Russell L. Johnson

[**] Term: **14 Years**

[21] Appl. No.: **763,063**

[57] **CLAIM**

[22] Filed: **Sep. 20, 1991**

The ornamental design for a folding stool, as shown and described.

[52] U.S. Cl. **D6/353; D6/355;
D6/485; D6/486**

DESCRIPTION

[58] Field of Search **D6/349-353,
D6/355, 485, 486; 297/175, 181, 188, 192,
423.1, 423.39, 461, 462**

FIG. 1 is a back corner perspective view of the folding stool of my design in the knocked-down configuration; FIG. 2 is a front corner perspective view of the folding stool of FIG. 1;

[56] **References Cited**

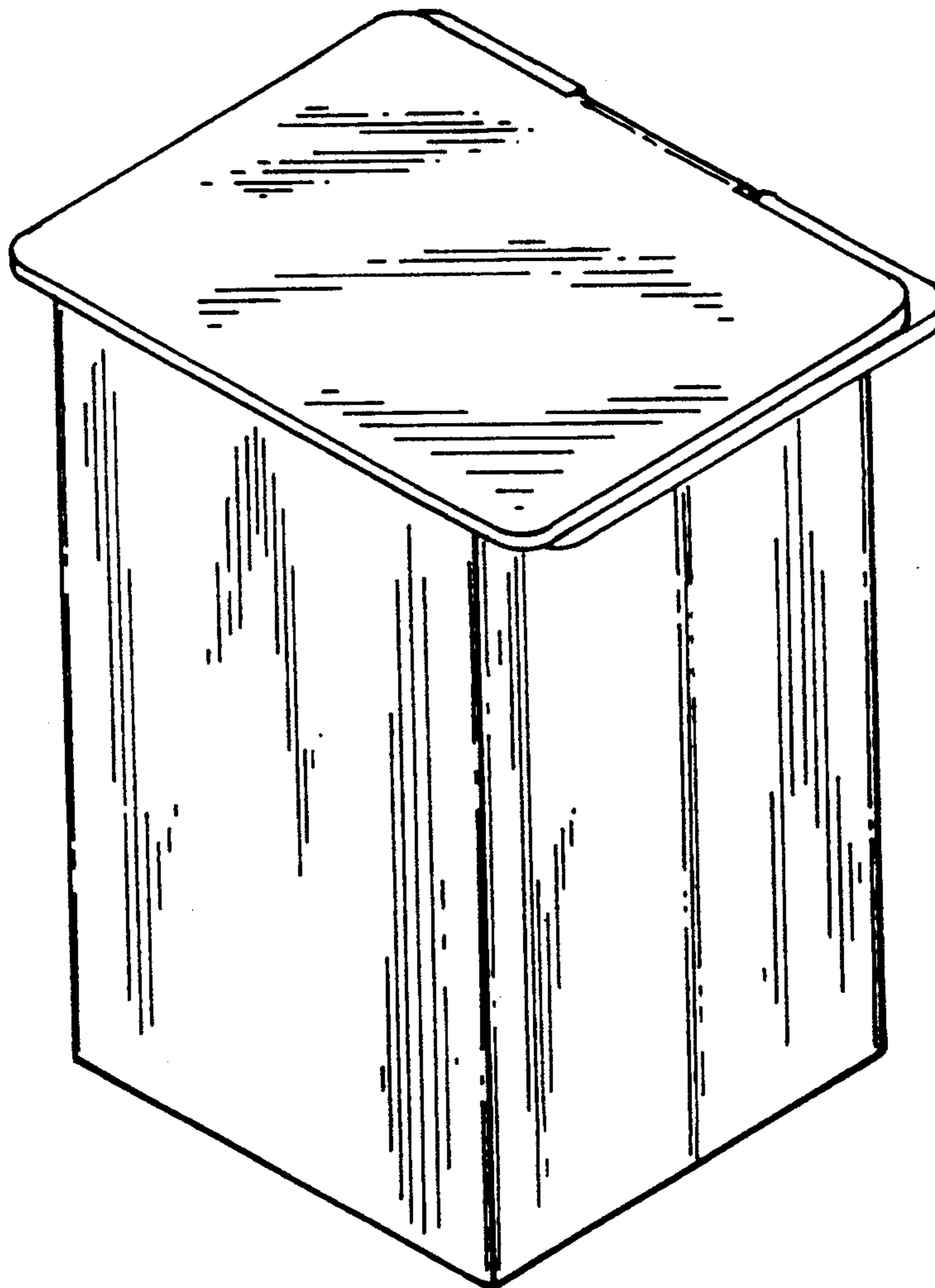
U.S. PATENT DOCUMENTS

D. 215,428	9/1969	Tapert	D6/352
D. 226,545	3/1973	Hollingsworth	D6/349
D. 330,640	11/1992	Yoshimura	D6/335 X
2,513,880	7/1950	Leung	D6/353 X
2,812,227	11/1957	Hill	297/462 X

FIG. 3 is a front corner perspective view of the folding stool of my design in the assembled configuration;

FIG. 4 is a top plan view of the folding stool of FIG. 3; FIG. 5 is a back corner perspective view of the folding stool of FIGS. 3 and 4; and,

FIG. 6 is a bottom plan view of the folding stool of FIGS. 3 through 5.



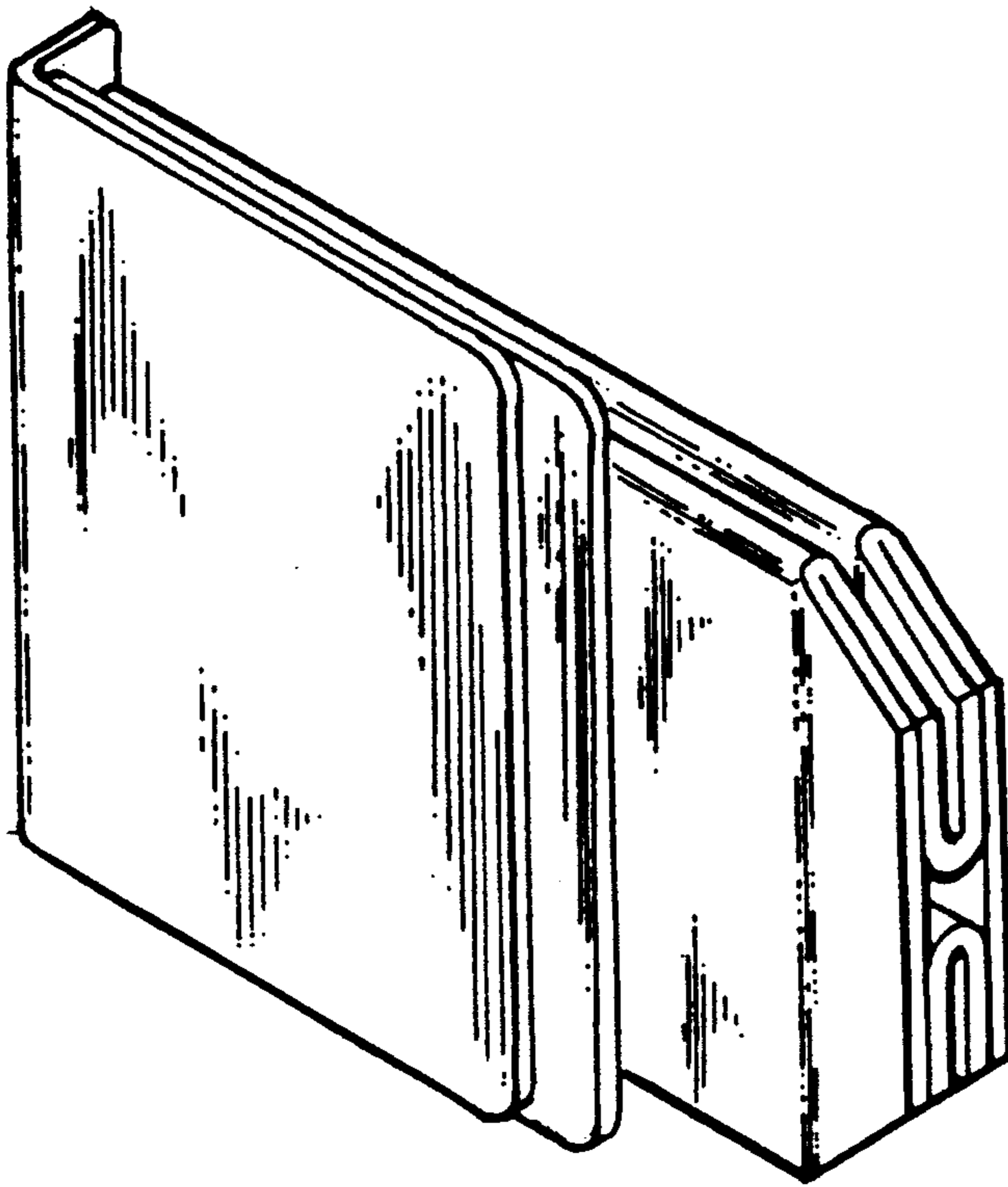


FIGURE 1

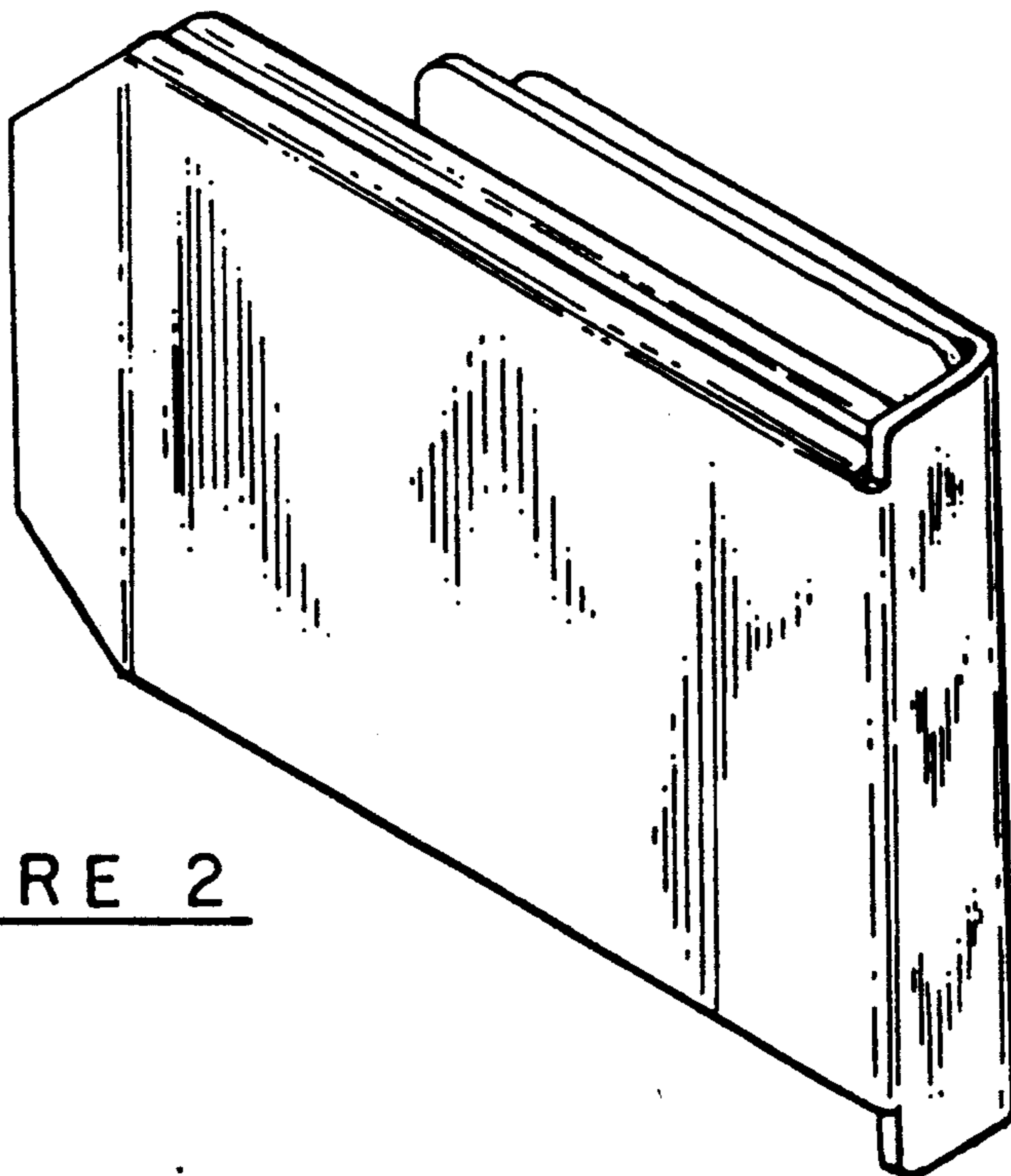


FIGURE 2

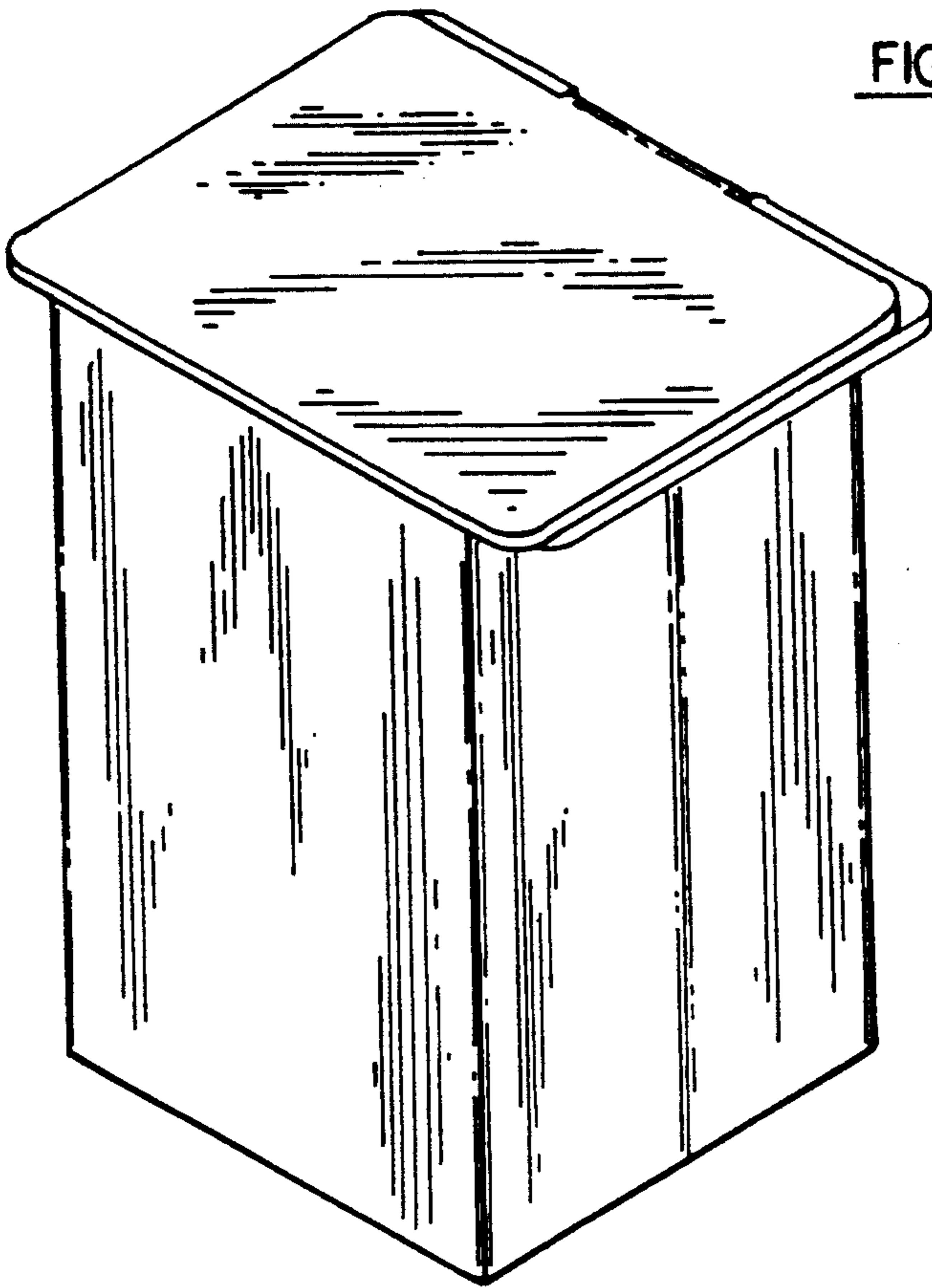


FIGURE 3

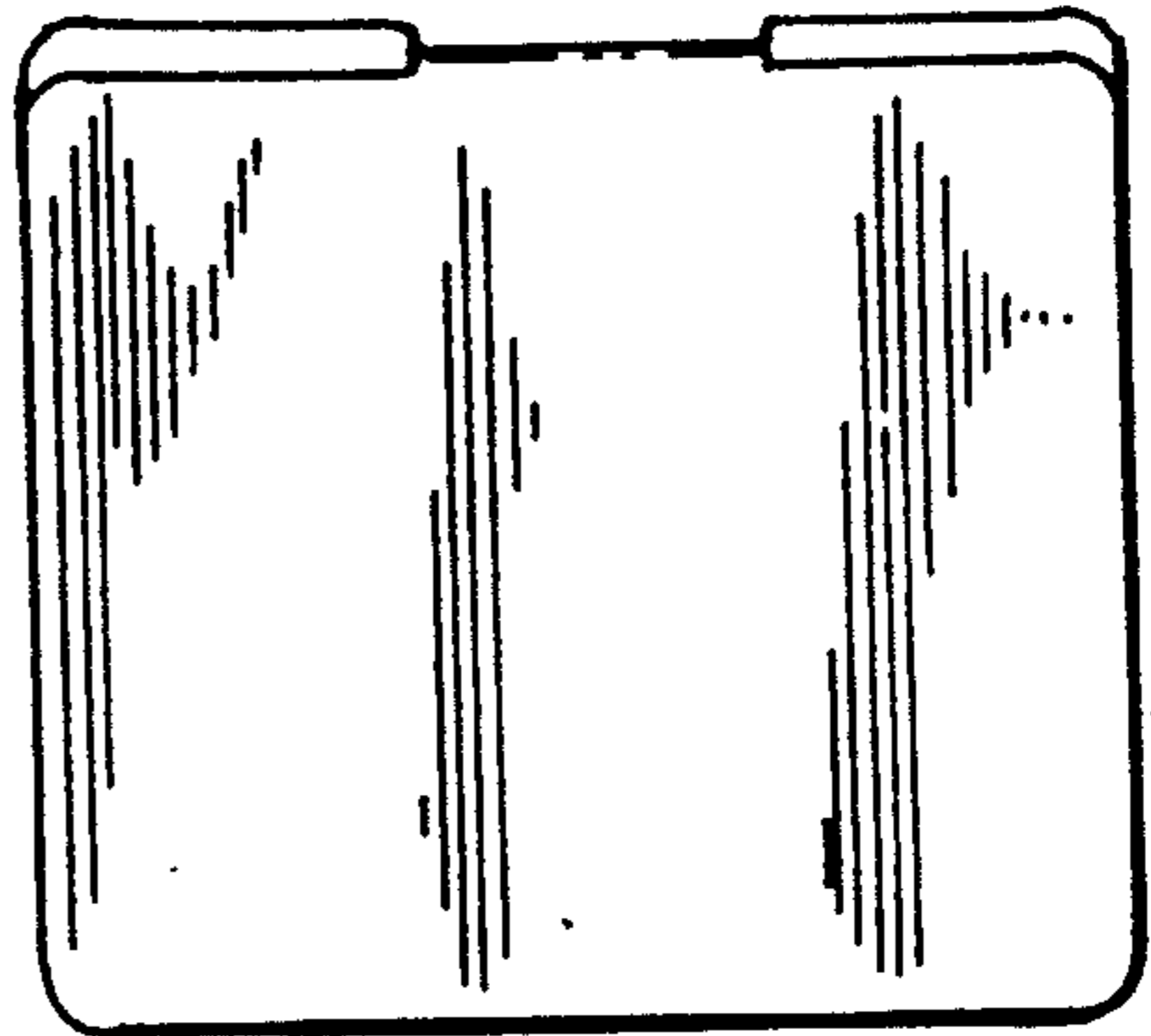


FIGURE 4

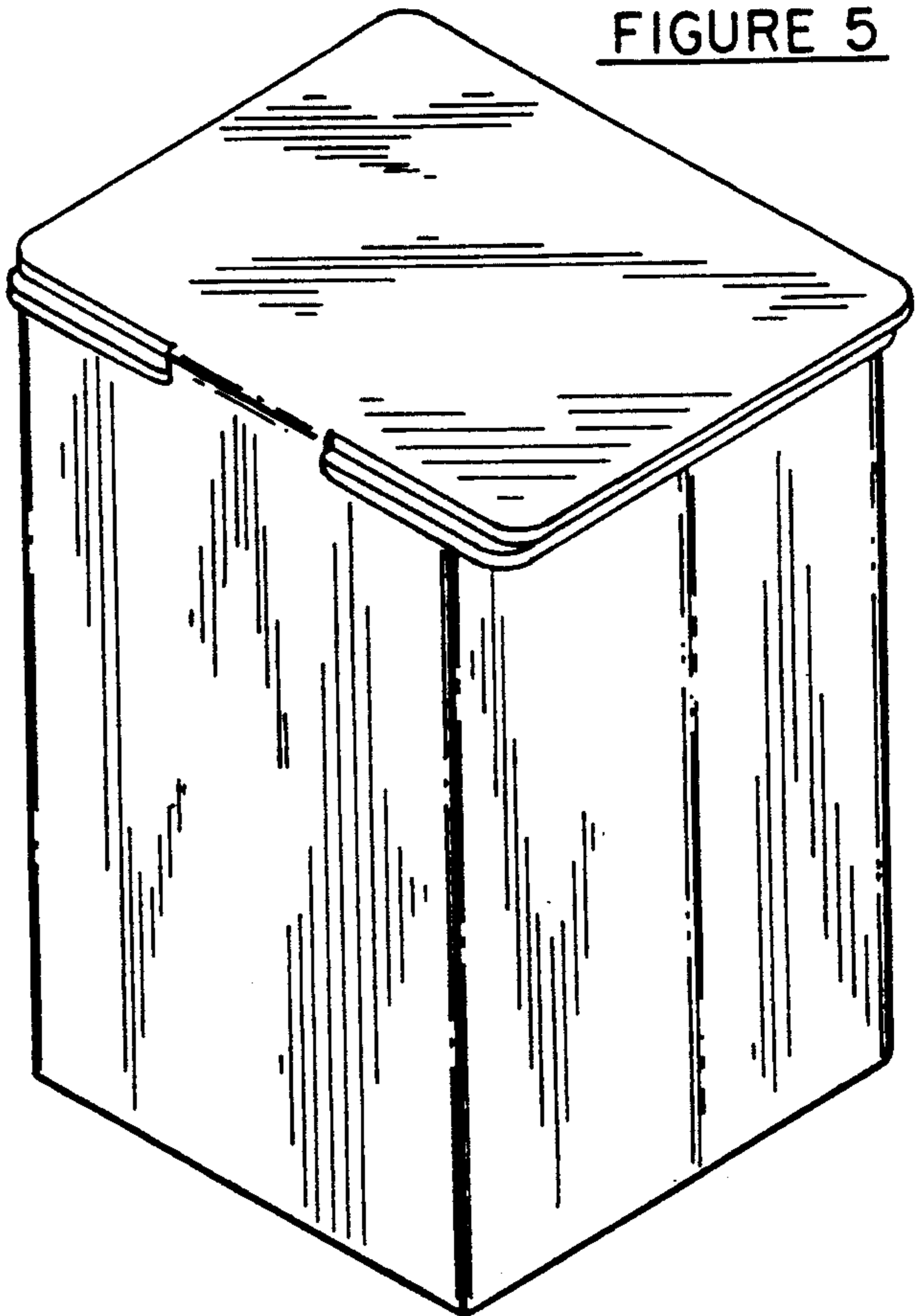


FIGURE 5

FIGURE 6

