



US00D344858S

United States Patent [19]

[11] Patent Number: **Des. 344,858**

Leduc

[45] Date of Patent: **** Mar. 8, 1994**

[54] **STEP STOOL**

[75] Inventor: **Paul Leduc, Scarborough, Canada**

[73] Assignee: **Santulin Management Ltd., Scarborough, Canada**

[**] Term: **14 Years**

[21] Appl. No.: **877,607**

[22] Filed: **May 1, 1992**

[30] **Foreign Application Priority Data**

Nov. 21, 1991 [CH]	Switzerland	21-11-91-2
[52] U.S. Cl.	D6/349; D6/486	
[58] Field of Search	D6/349-353,	
		D6/355, 486, 484; 297/175, 181, 188, 192, 461,	
		462, 423.1, 423.39; D21/191	

[56] **References Cited**

U.S. PATENT DOCUMENTS

D. 186,488	10/1959	Nadl	D6/350 X
D. 337,211	7/1993	Bergkust	D6/349

OTHER PUBLICATIONS

Rubbermaid Office Products ©1991, p. 17, #2016, Footrest at top left.

Primary Examiner—Nelson C. Holtje
Assistant Examiner—J. E. Seegar
Attorney, Agent, or Firm—Arne I. Fors

[57] **CLAIM**

The ornamental design for a step stool, as shown and described.

DESCRIPTION

FIG. 1 is a perspective view of the step stool; FIG. 2 is a upper plan view of the step stool; FIG. 3 is a side elevation of the step stool; FIG. 4 is an end view of the step stool; and, FIG. 5 is a side elevation of the other side of the step stool.

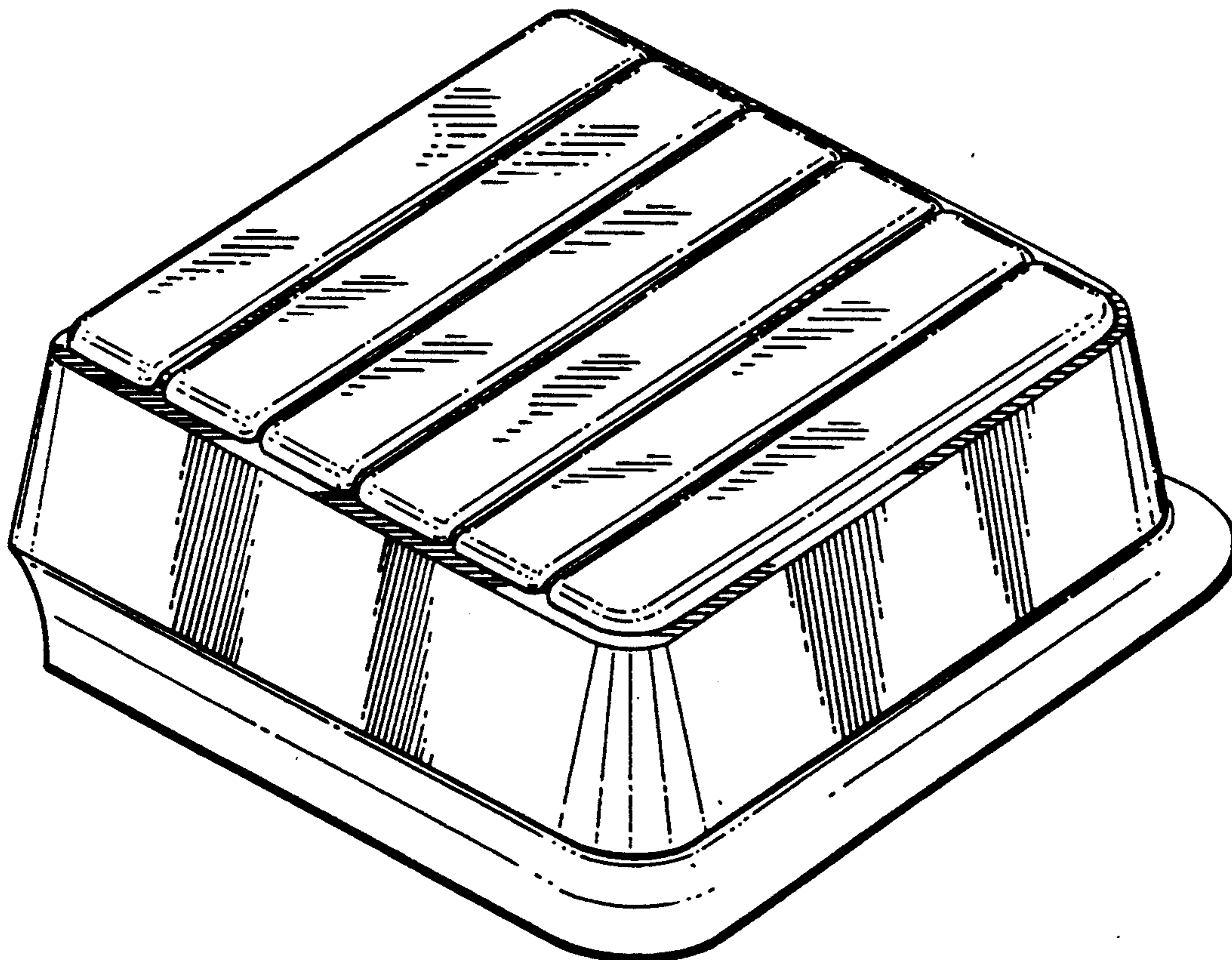


FIG. 1.

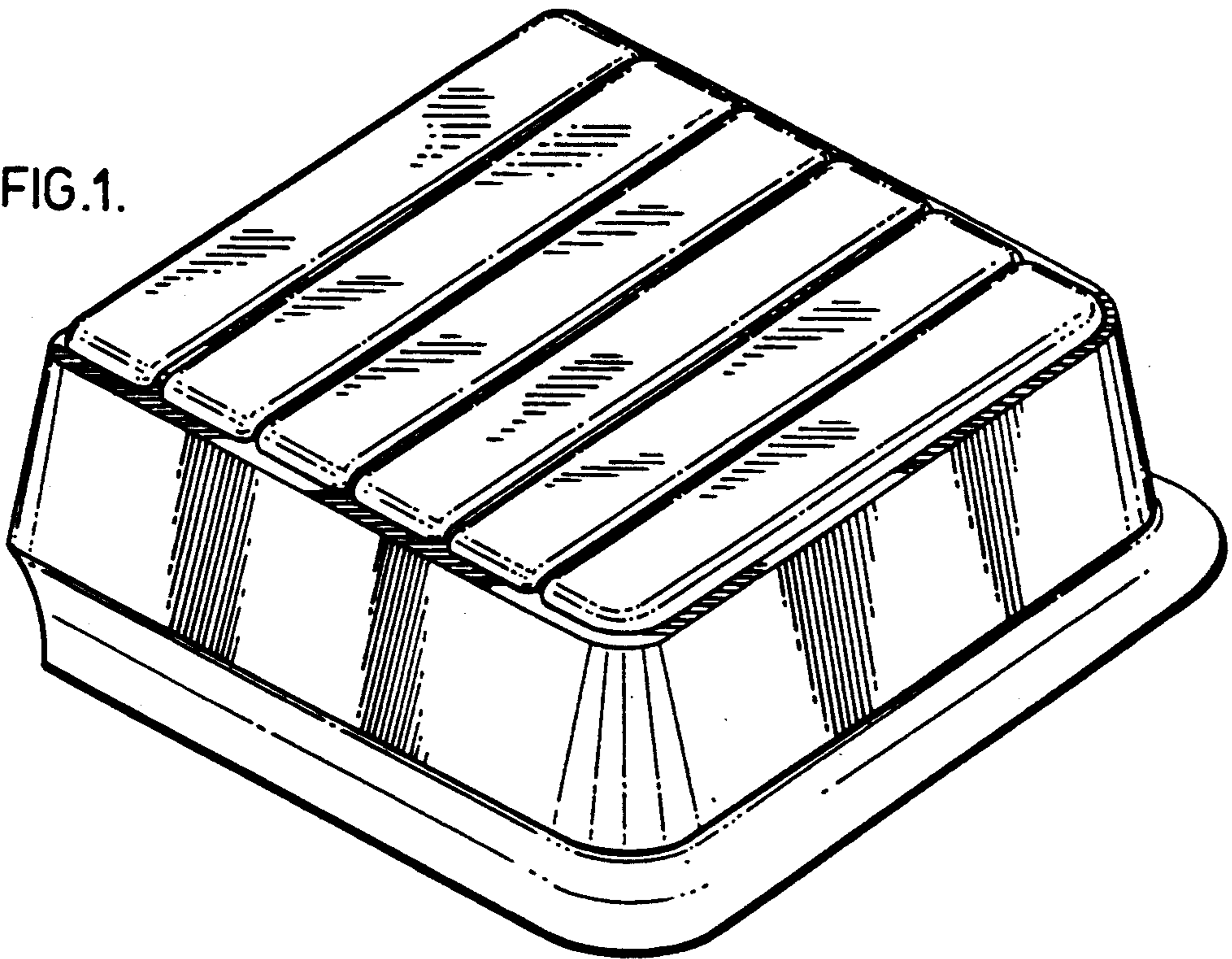
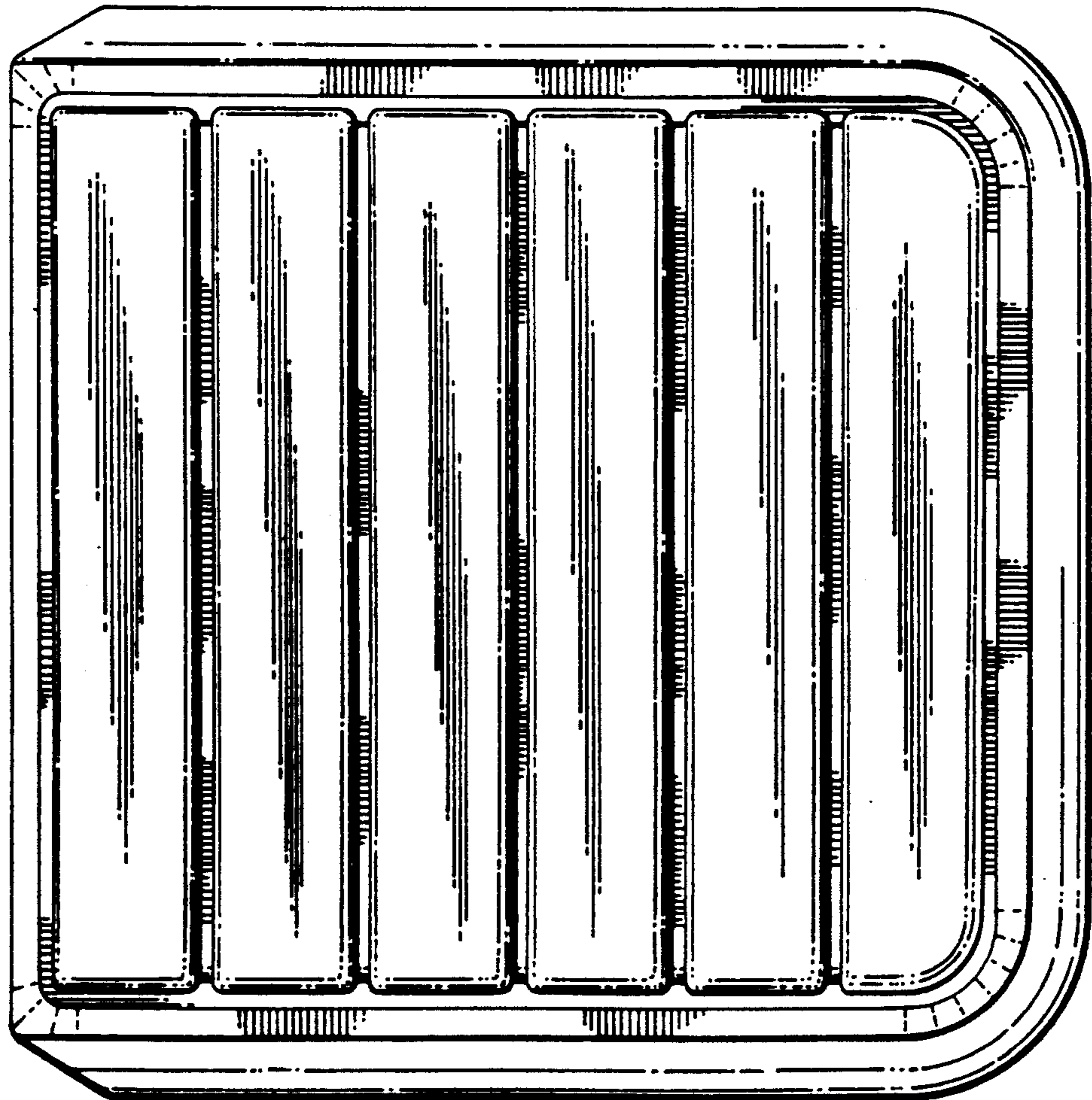


FIG. 2.



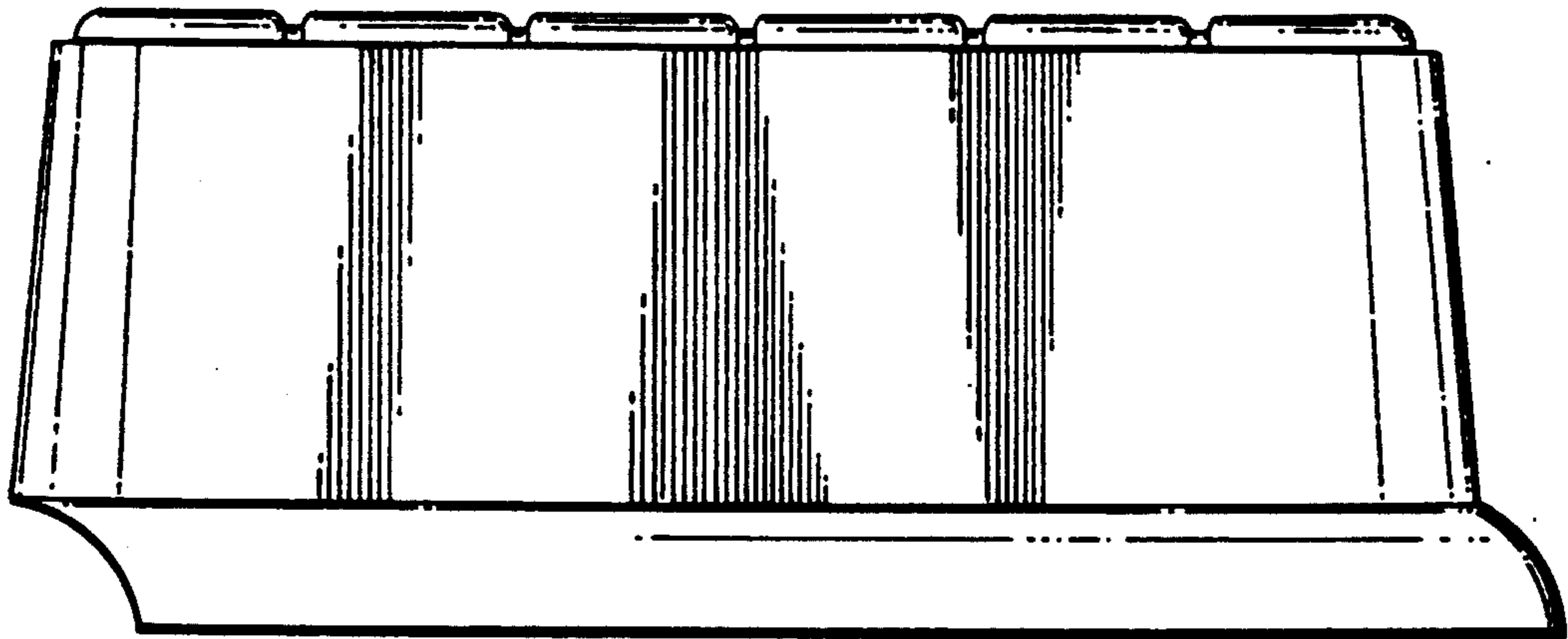


FIG. 3.

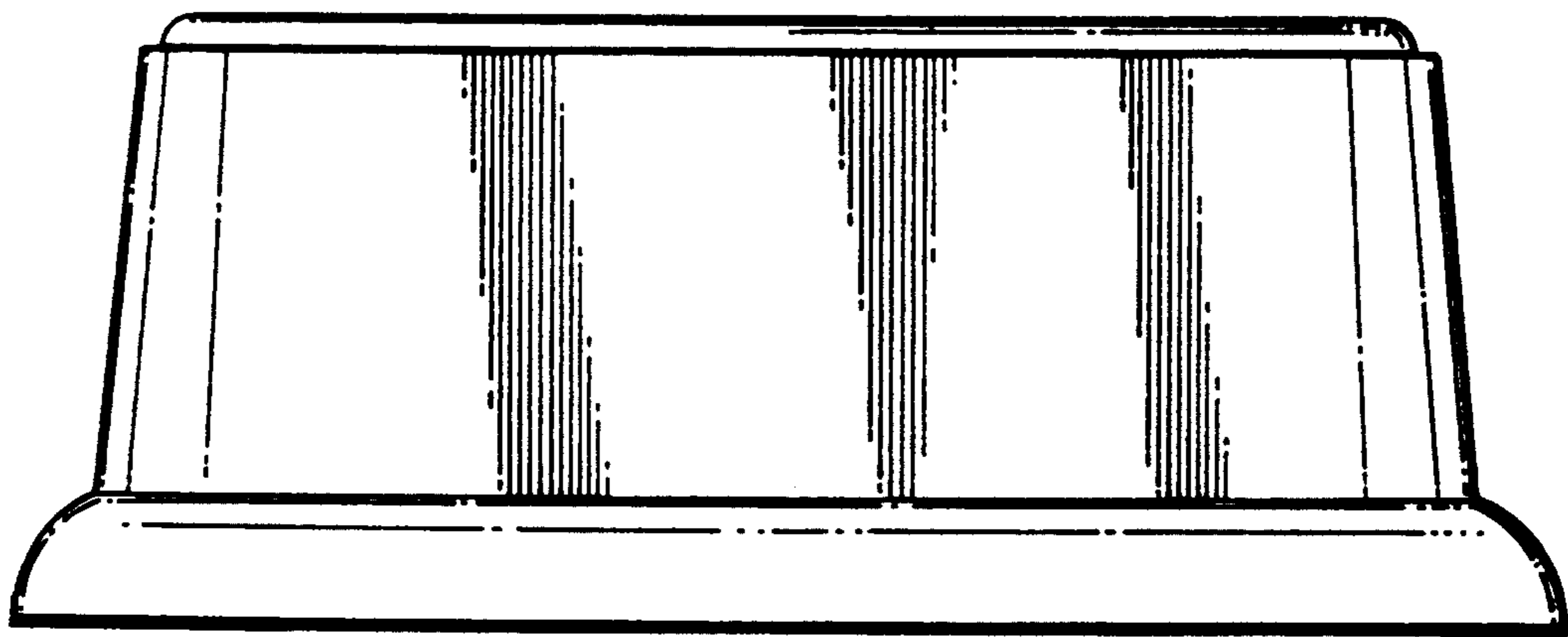


FIG. 4.

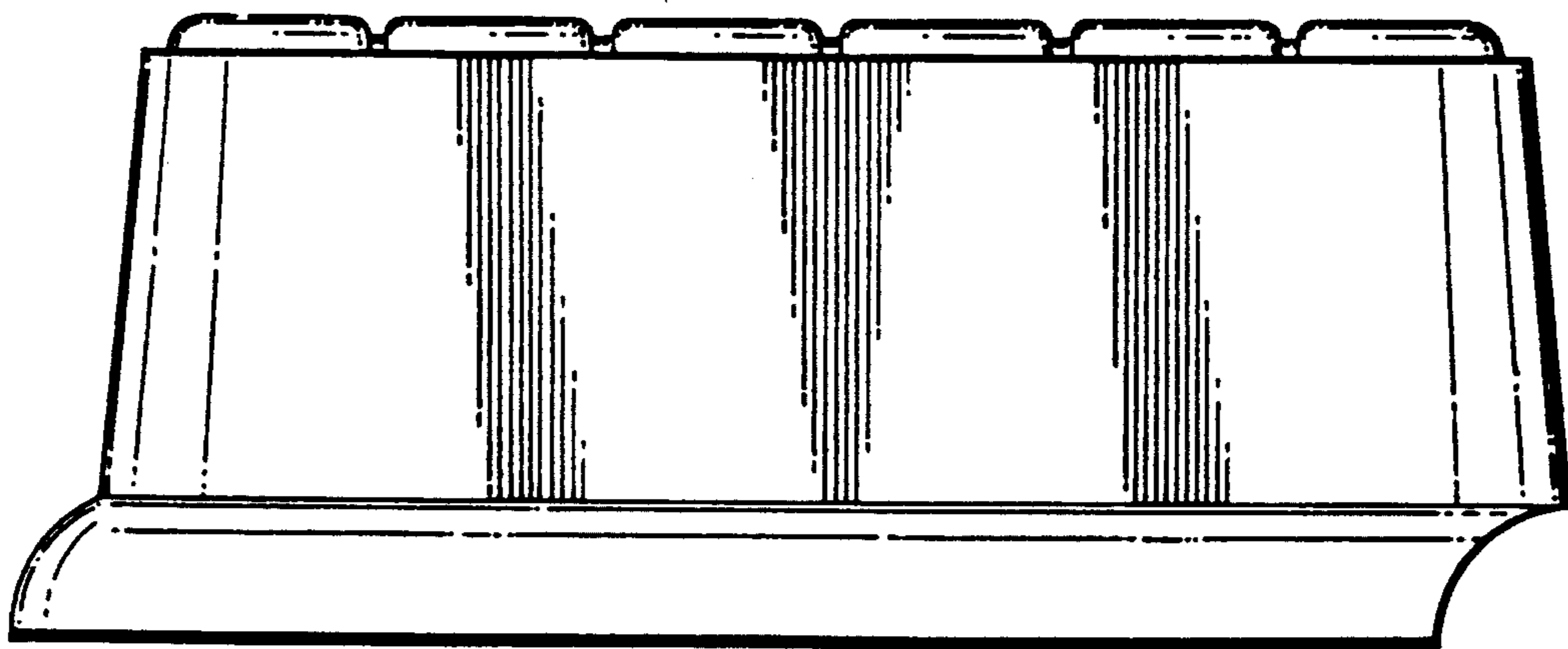


FIG. 5.