



US00D344857S

United States Patent [19]

[11] Patent Number: **Des. 344,857**

Kinsman

[45] Date of Patent: **** Mar. 8, 1994**

[54] **SEATING UNIT**

[75] Inventor: **Rodney W. Kinsman**, London, England

[73] Assignee: **Kinsman Associates Limited**, United Kingdom

[**] Term: **14 Years**

[21] Appl. No.: **847,943**

[22] Filed: **Mar. 6, 1992**

[30] **Foreign Application Priority Data**

Sep. 13, 1991 [GB] United Kingdom 2017450

[52] U.S. Cl. **D6/349; D6/355; D6/482**

[58] Field of Search **D6/349-353, D6/355, 358, 451, 484, 480; 297/175, 181, 188, 192, 461, 462, 423.1, 423.39**

[56] **References Cited**

U.S. PATENT DOCUMENTS

D. 191,791	11/1961	Konues	D6/349 X
D. 209,047	10/1967	Villa	D6/370 X
D. 214,440	6/1969	Henebry	D6/349
D. 322,904	1/1992	Bareiss	D6/482 X
4,099,780	7/1978	Schmidhuber	D6/349 X

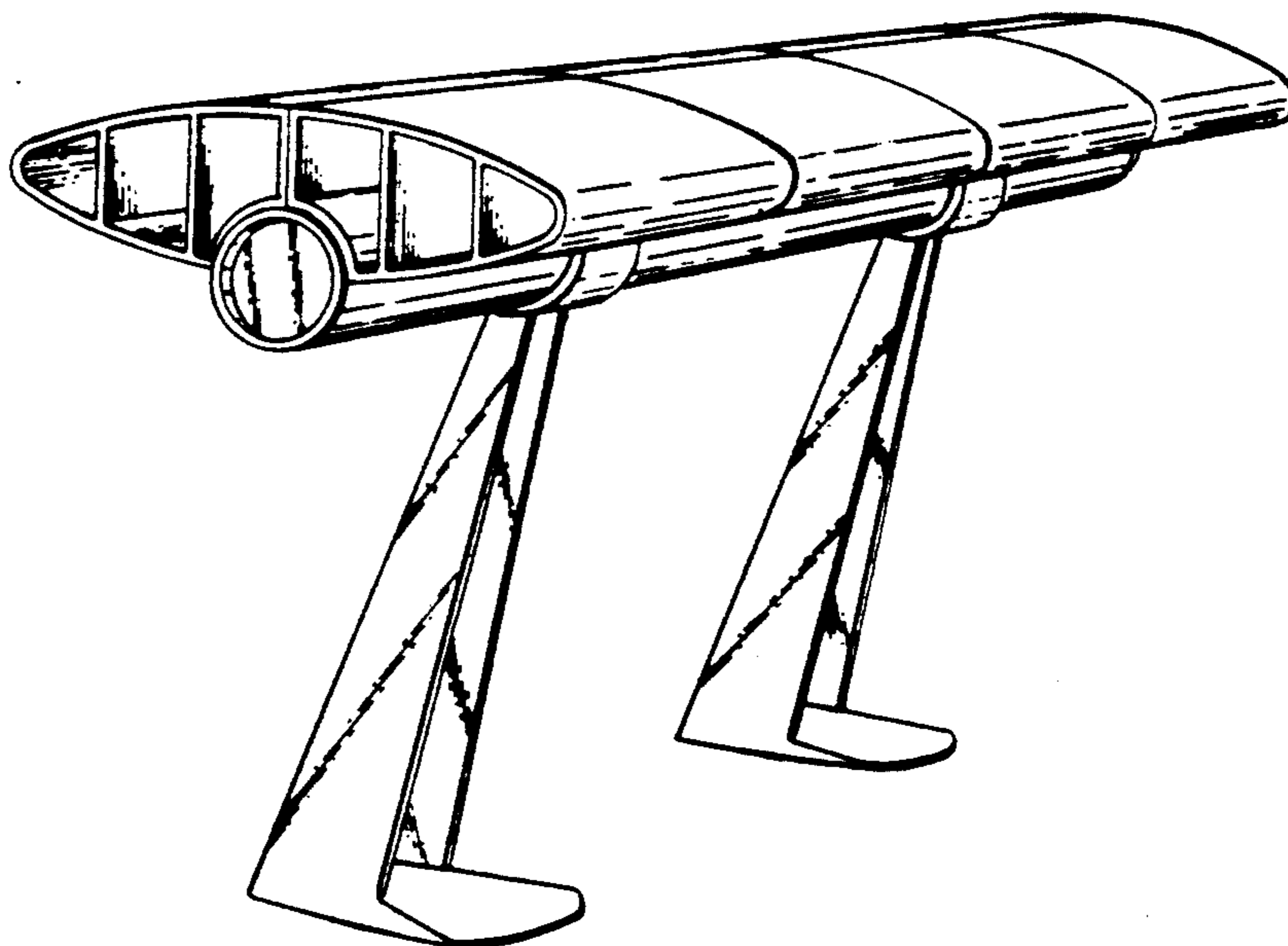
Primary Examiner—Nelson C. Holtje
Assistant Examiner—J. E. Seeger
Attorney, Agent, or Firm—Blakely, Sokoloff, Taylor & Zafman

[57] **CLAIM**

The ornamental design for a seating unit, as shown and described.

DESCRIPTION

FIG. 1 is a perspective view thereof from one end and one side;
FIG. 2 is a side perspective view thereof from said one end and the other side; and,
FIG. 3 is a view thereof from said other side.



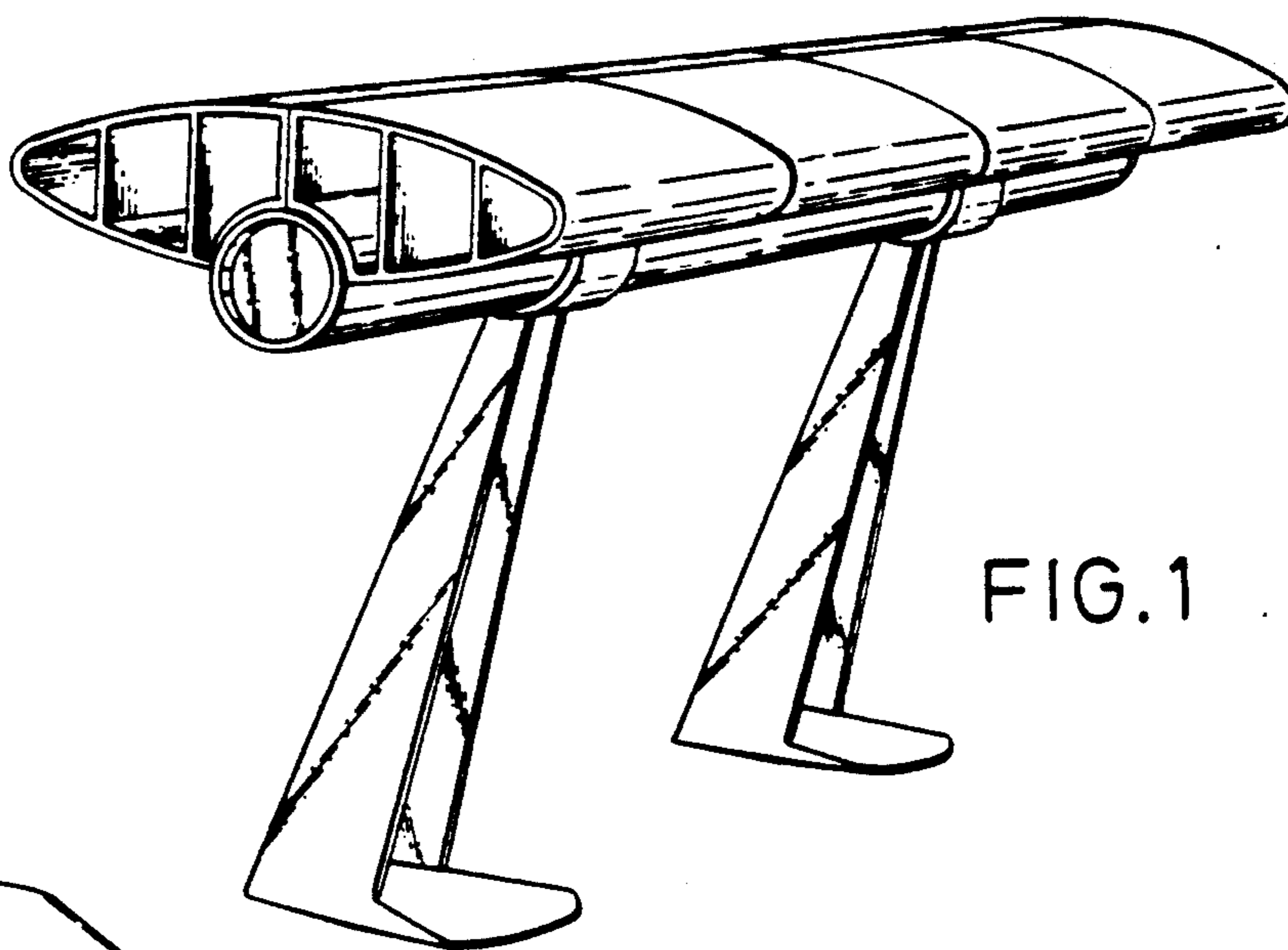


FIG. 1

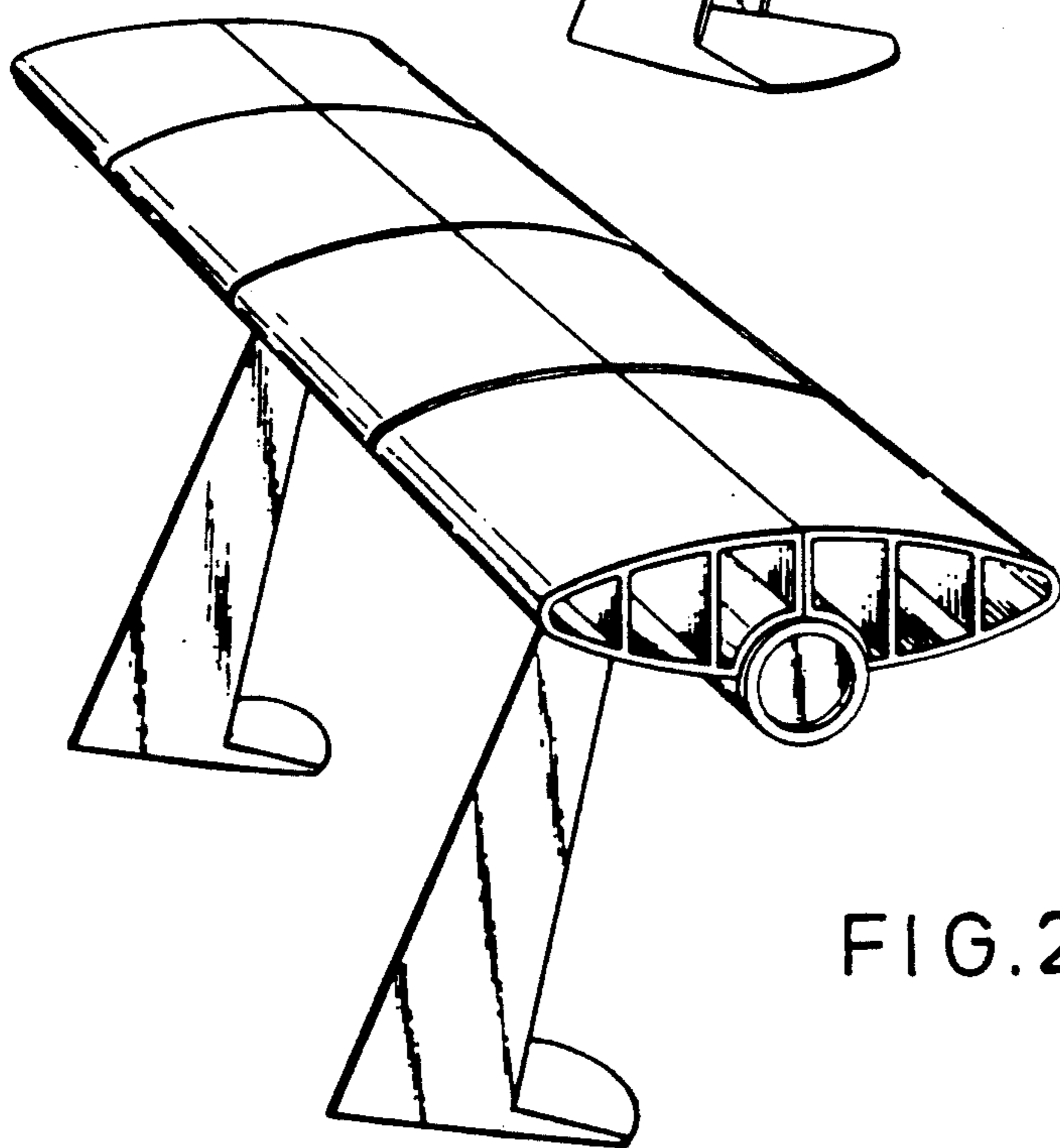


FIG. 2

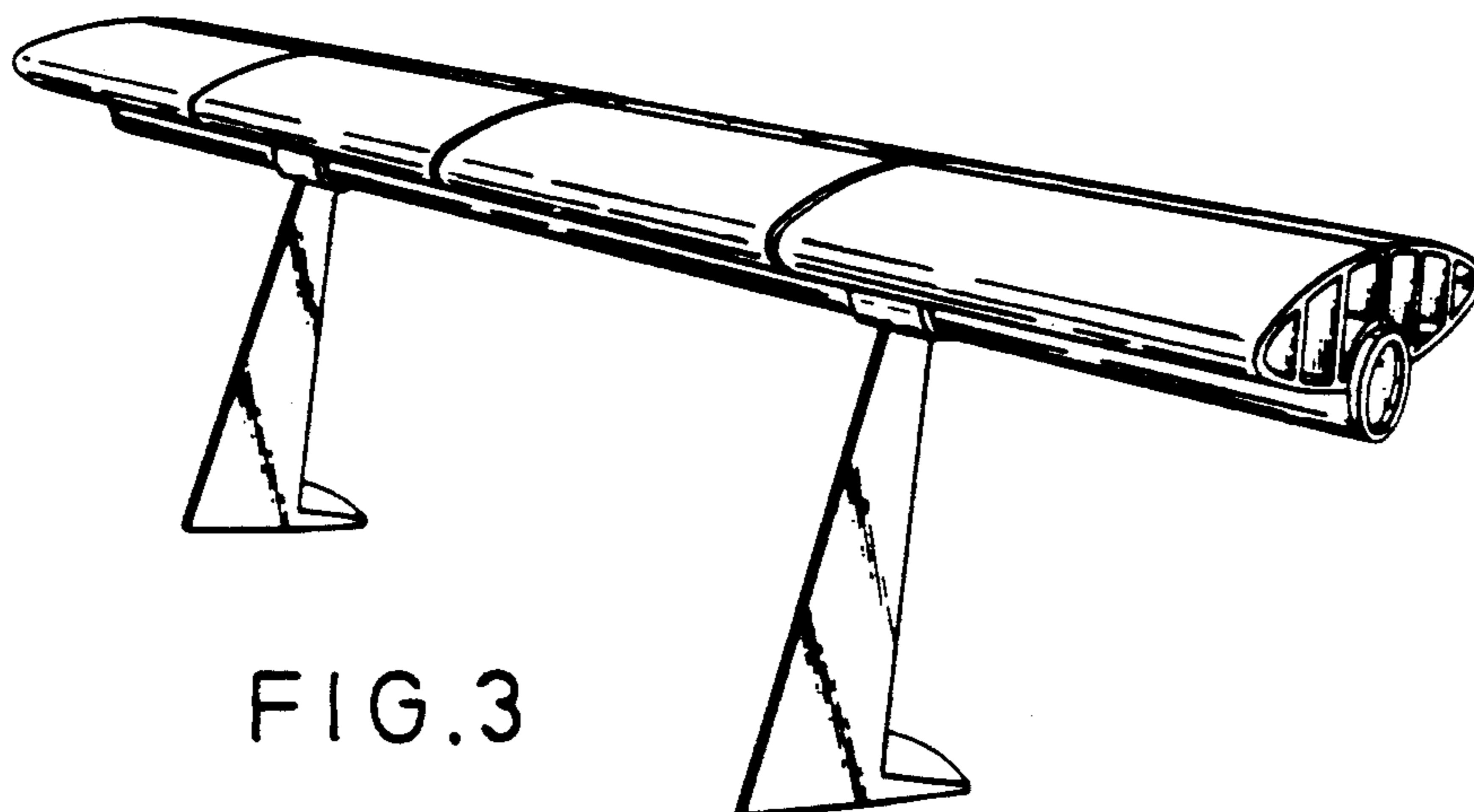


FIG. 3