



US00D344841S

United States Patent [19]

[11] Patent Number: **Des. 344,841**

Rogers et al.

[45] Date of Patent: **** Mar. 1, 1994**

[54] **REPOSITORY FOR DRIVE-THROUGH SERVICE WINDOWS**

[75] Inventors: **Peter C. Rogers**, Excelsior; **Michael W. Morgan**, Shorewood; **Samuel H. Rogers**, Minnetonka; **Bradley C. Nordgren**, Maple Plain, all of Minn.

[73] Assignee: **Peter Rogers and Associates**, Minneapolis, Minn.

[**] Term: **14 Years**

[21] Appl. No.: **814,909**

[22] Filed: **Dec. 27, 1991**
(Under 37 CFR 1.47)

[52] U.S. Cl. **D99/28**

[58] Field of Search 232/22, 19, 17; **D99/28, D99/43**

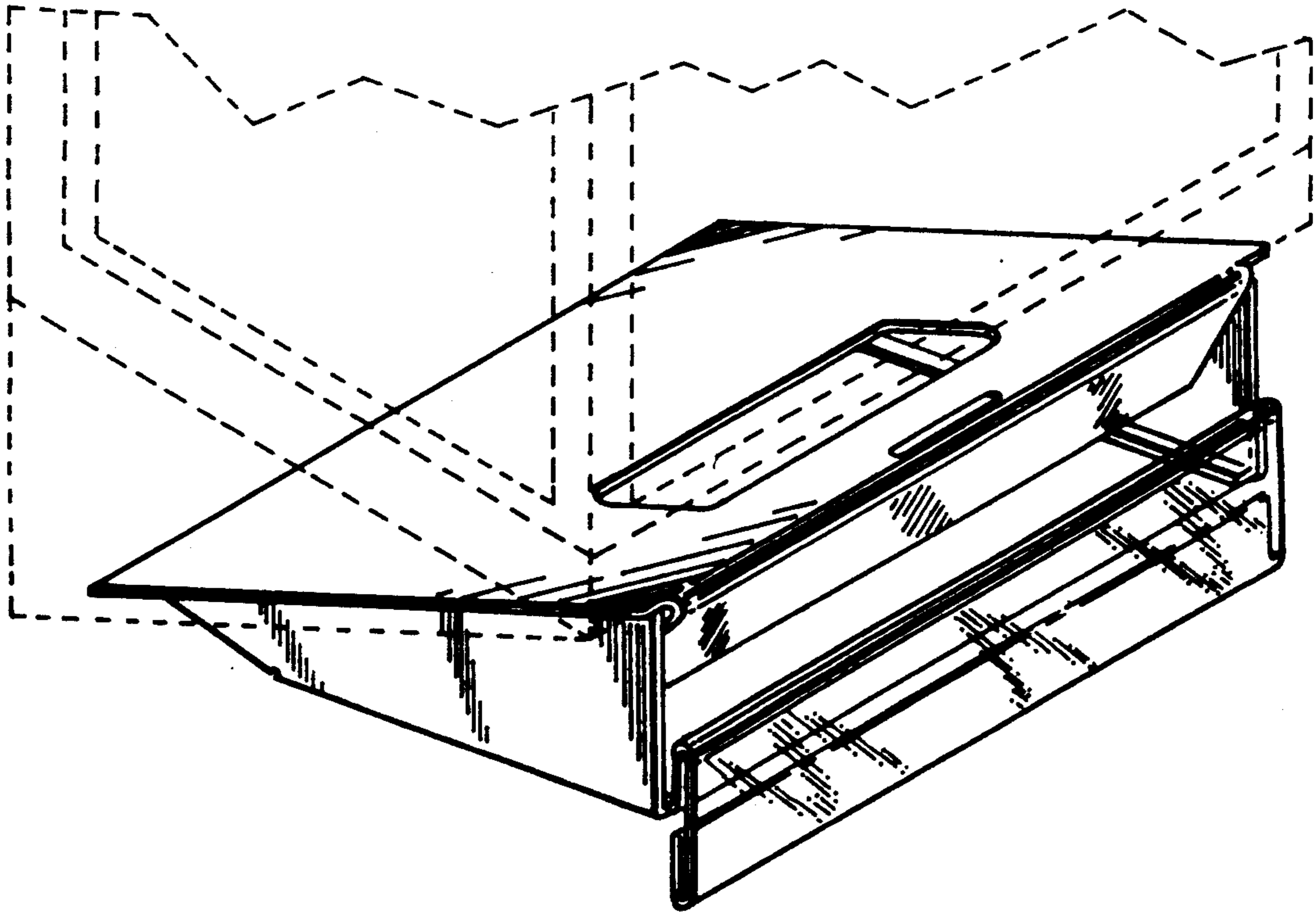
Primary Examiner—Alan P. Douglas
Assistant Examiner—J. H. Musgrove
Attorney, Agent, or Firm—Nawrocki, Rooney & Silverton

[57] **CLAIM**

The ornamental design for a repository for drive-through service windows, as shown and described.

DESCRIPTION

FIG. 1 is a perspective view of a repository for drive-through service windows, the broken line showing of the drive-through is for illustrative purposes only and form no part of the claim design;
FIG. 2 is a front view thereof;
FIG. 3 is a rear view thereof;
FIG. 4 and FIG. 5 are side views thereof;
FIG. 6 is a top view thereof; and,
FIG. 7 is a bottom view thereof.



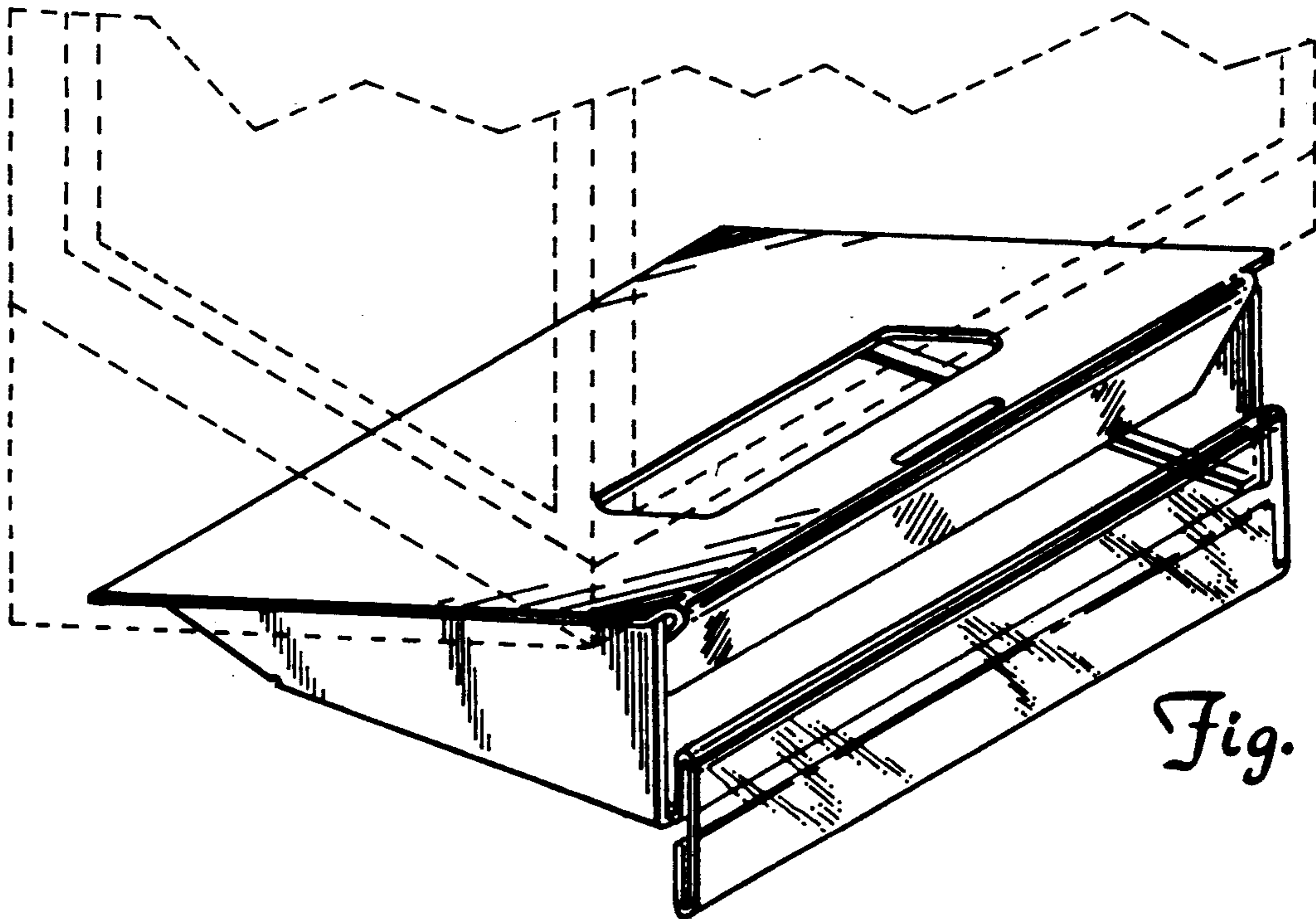


Fig. 1

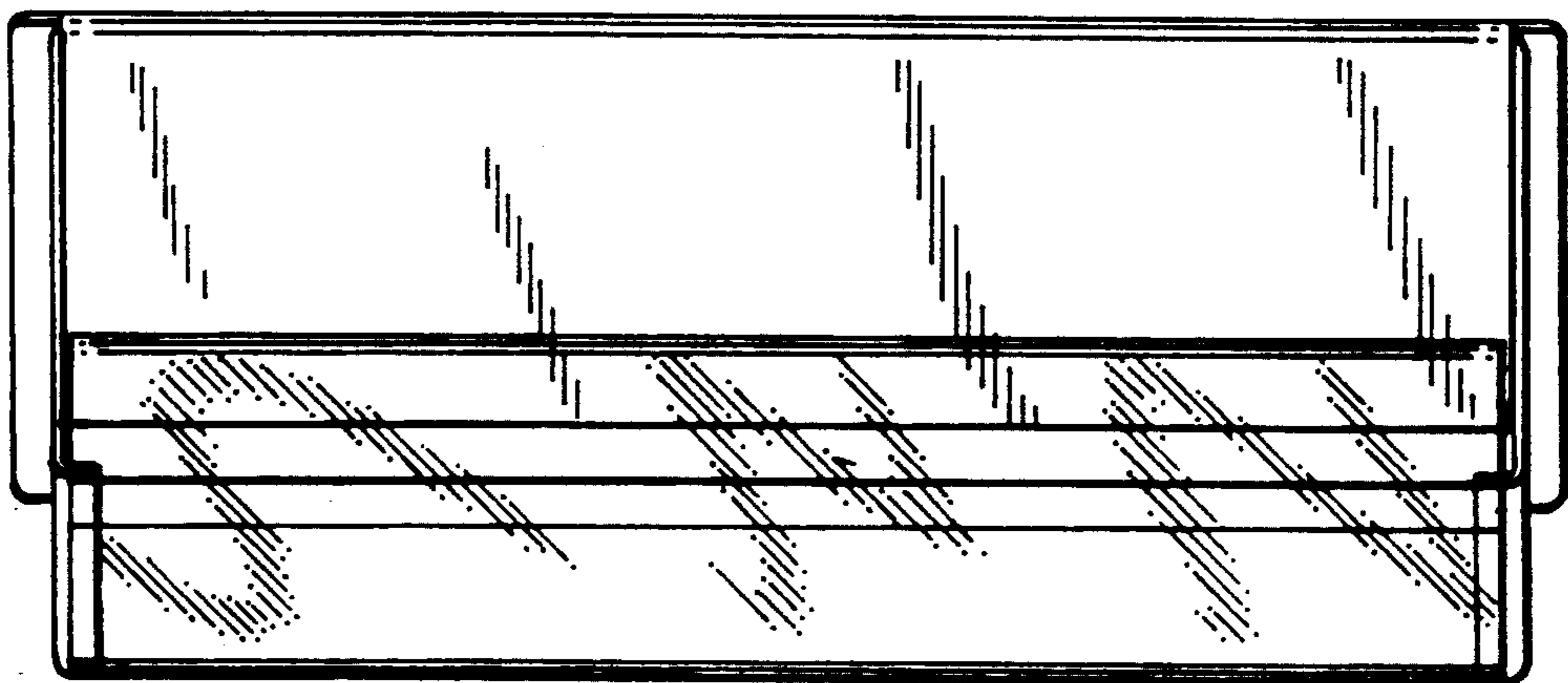


Fig. 2

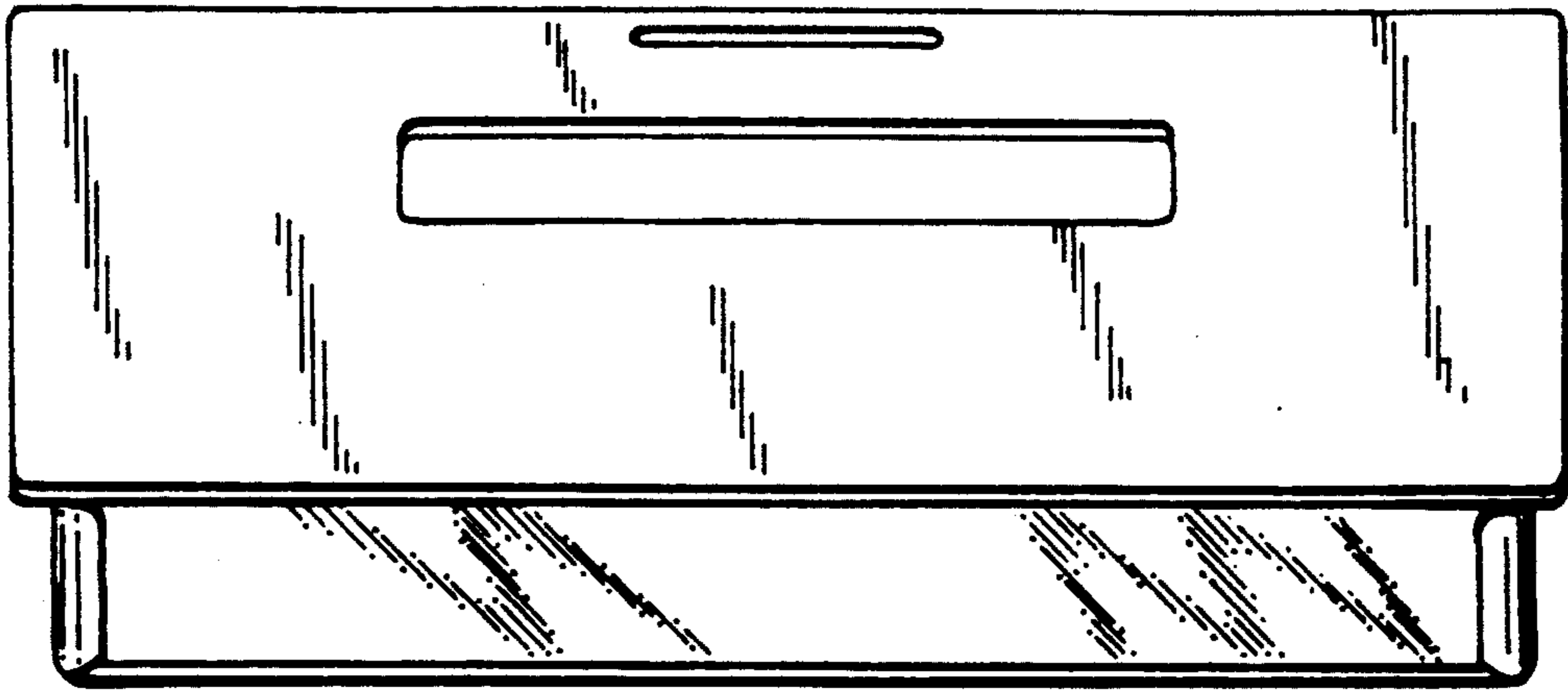


Fig. 3

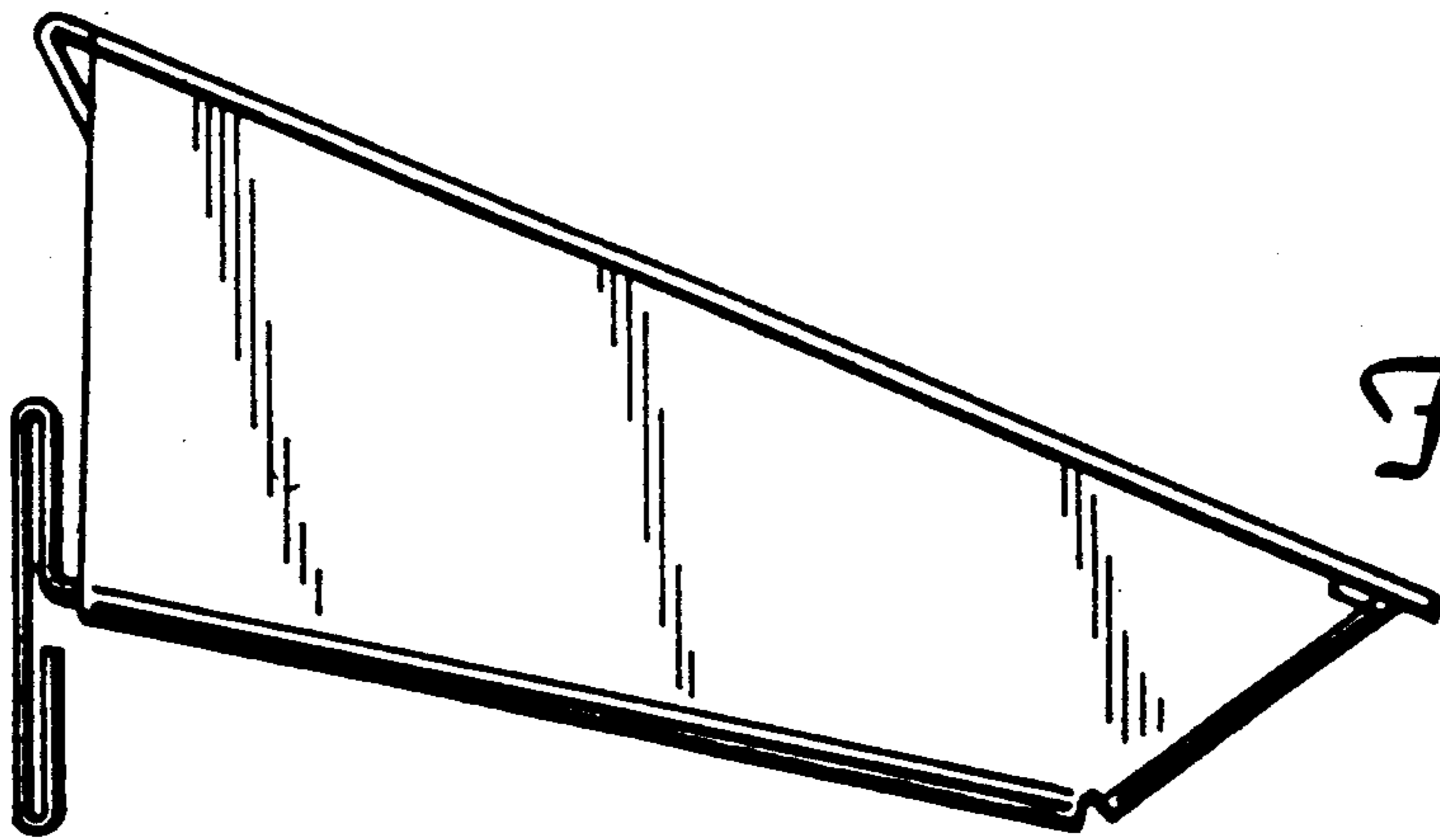


Fig. 4

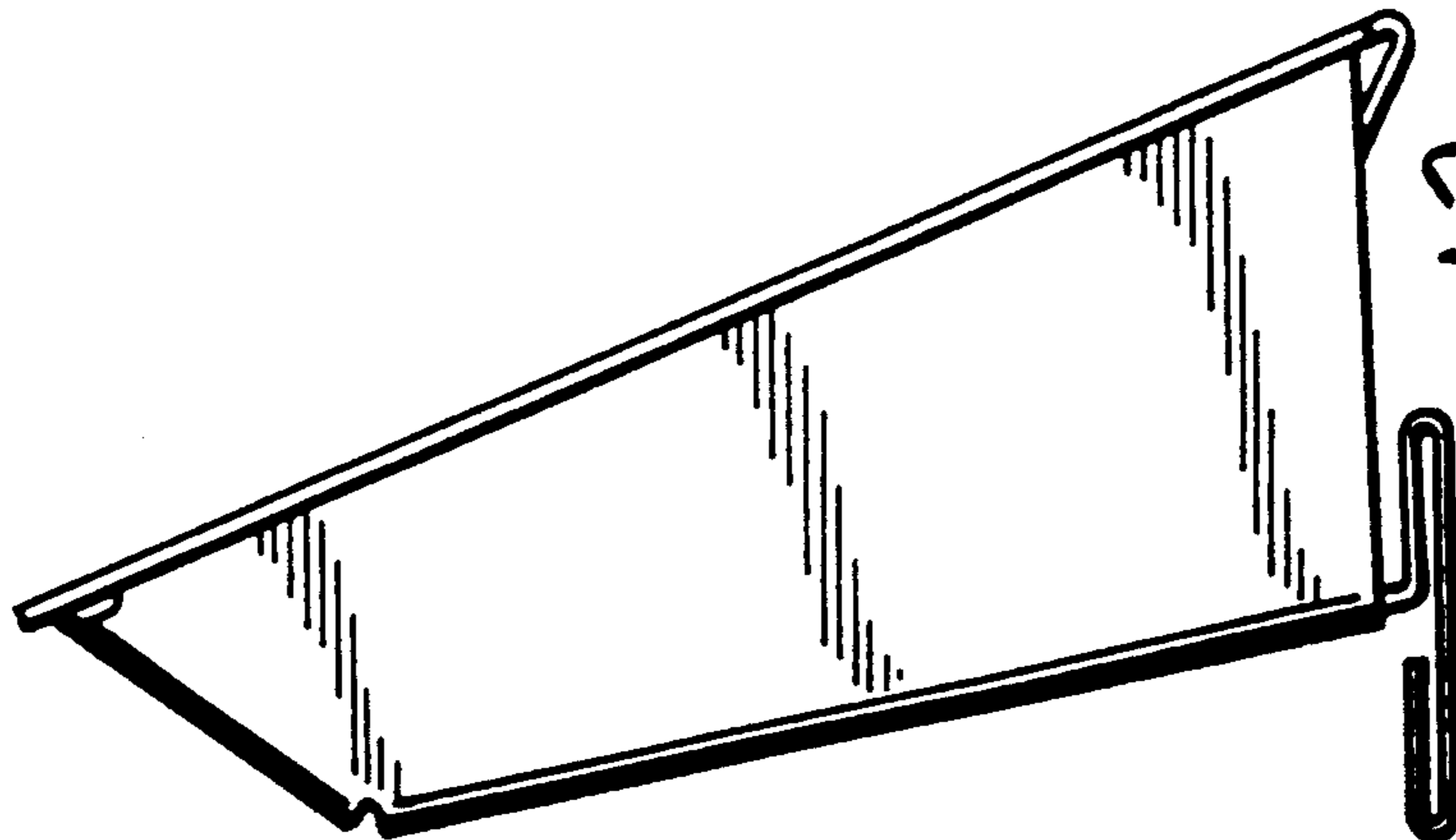


Fig. 5

Fig. 6

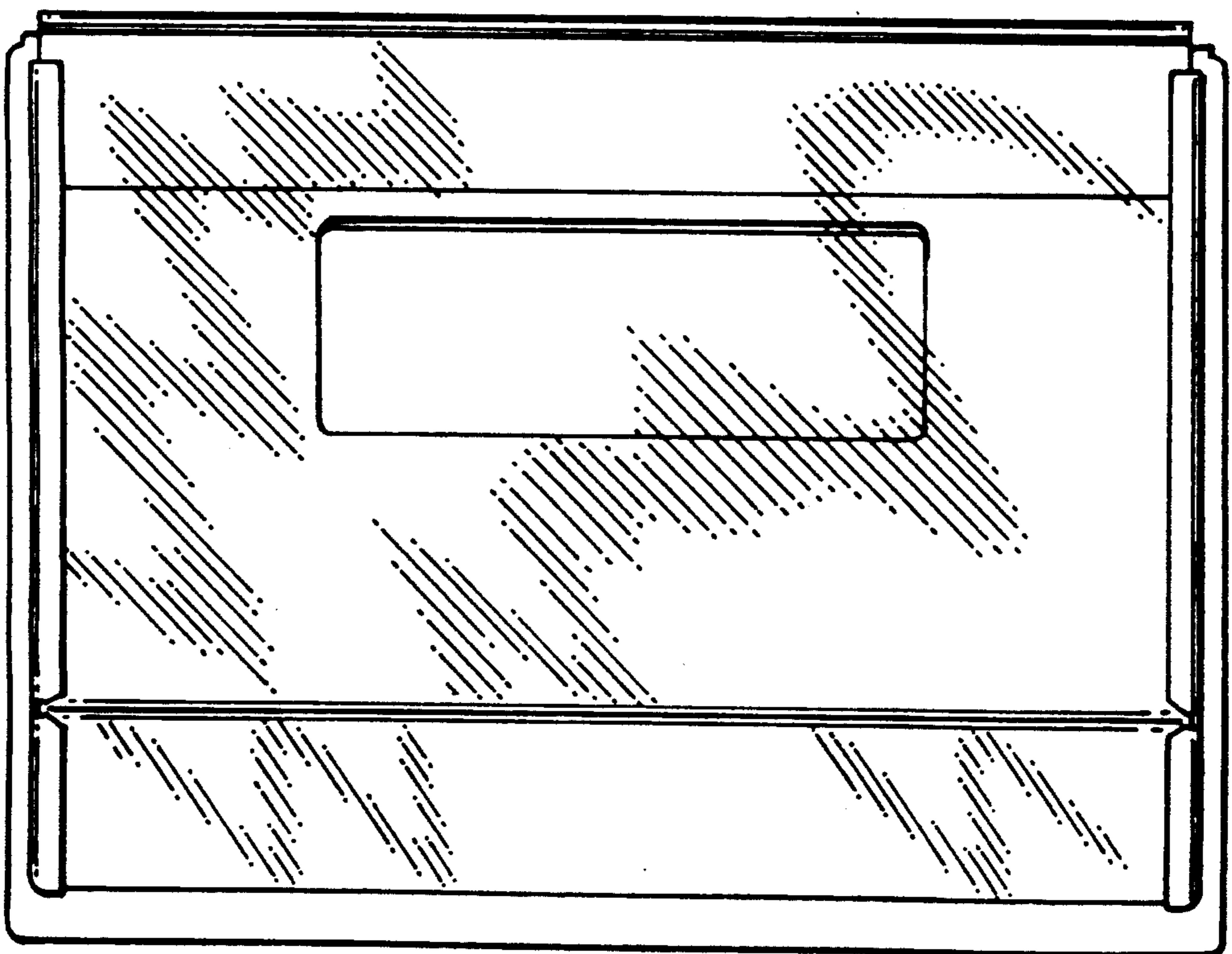
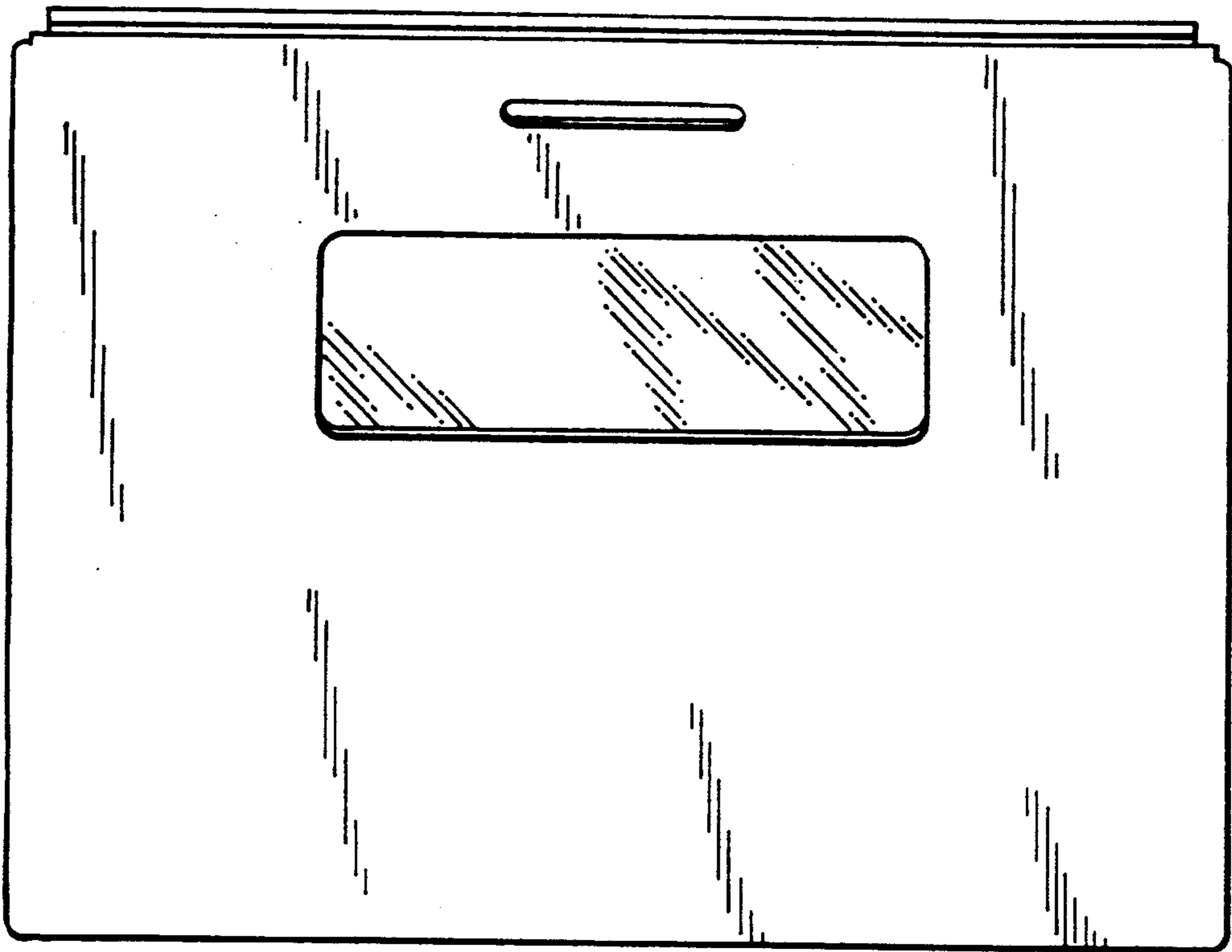


Fig. 7