



US00D344838S

# United States Patent [19] Hakansson

[11] Patent Number: **Des. 344,838**  
[45] Date of Patent: **\*\* Mar. 1, 1994**

[54] **TRANSPORT CRATE**  
[75] Inventor: **Jan Hakansson**, Eslov, Sweden  
[73] Assignee: **Tetra Laval Holdings & Finance SA**,  
Pully, Switzerland  
[\*\*] Term: **14 Years**  
[21] Appl. No.: **754,705**  
[22] Filed: **Sep. 4, 1991**  
[30] **Foreign Application Priority Data**

Mar. 4, 1991 [SE] Sweden ..... 910480  
[52] U.S. Cl. .... **D3/304**  
[58] Field of Search ..... D9/432, 341, 414, 346;  
D6/396, 475; 206/557, 513, 503, 518, 561, 449,  
555, 44 R, 813; 220/1.5, 17.3, 616, 634, 648,  
649, 683, 688, DIG. 3; 229/120.11, 164; 217/3  
FC, 3 R, 12 A, 66, 36, 77; 53/410, 458; 24/16  
R, 265 R, 265 EC; 211/126, 88, 86, 90, 71, 134,  
182; D34/40-46

[56] **References Cited**  
**U.S. PATENT DOCUMENTS**

D. 256,642 9/1980 Lovell ..... D6/475  
2,334,902 11/1943 Buttery ..... 229/164 X  
2,681,172 6/1954 Sanford ..... 220/676 X  
3,231,084 1/1966 Kean, Sr. .... 217/66  
3,276,658 10/1966 Locke ..... 229/120.11 X  
3,860,309 1/1975 Brendgord ..... 211/88 X  
3,862,689 1/1975 Taub ..... 211/126  
3,987,901 10/1976 Dullinger ..... 206/813 X

4,905,451 3/1990 Jaconelli et al. .... 53/410  
4,974,773 12/1990 Alexander et al. .... 229/164  
5,076,457 12/1991 Marovskis ..... 220/1.5 X

**FOREIGN PATENT DOCUMENTS**

1275173 9/1961 France ..... 229/164  
11755 8/1976 Sweden .  
1227177 4/1971 United Kingdom ..... 229/164

*Primary Examiner*—Prabhakar G. Deshmukh  
*Attorney, Agent, or Firm*—Burns, Doane, Swecker &  
Mathis

[57] **CLAIM**

The ornamental design for a transport crate, as shown and described.

**DESCRIPTION**

FIG. 1 is a top perspective view of a transport crate showing my new design;  
FIG. 2 is a bottom perspective view of the transport crate shown in FIG. 1 illustrating the sides not shown in FIG. 1;  
FIG. 3 is a top perspective view of a second embodiment of the transport crate;  
FIG. 4 is a bottom perspective view of the transport crate shown in FIG. 3 illustrating the sides not shown in FIG. 3;  
FIG. 5 is a top perspective view of a third embodiment of the transport crate; and,  
FIG. 6 is a bottom perspective view of the transport crate shown in FIG. 5 illustrating the sides not shown in FIG. 5.

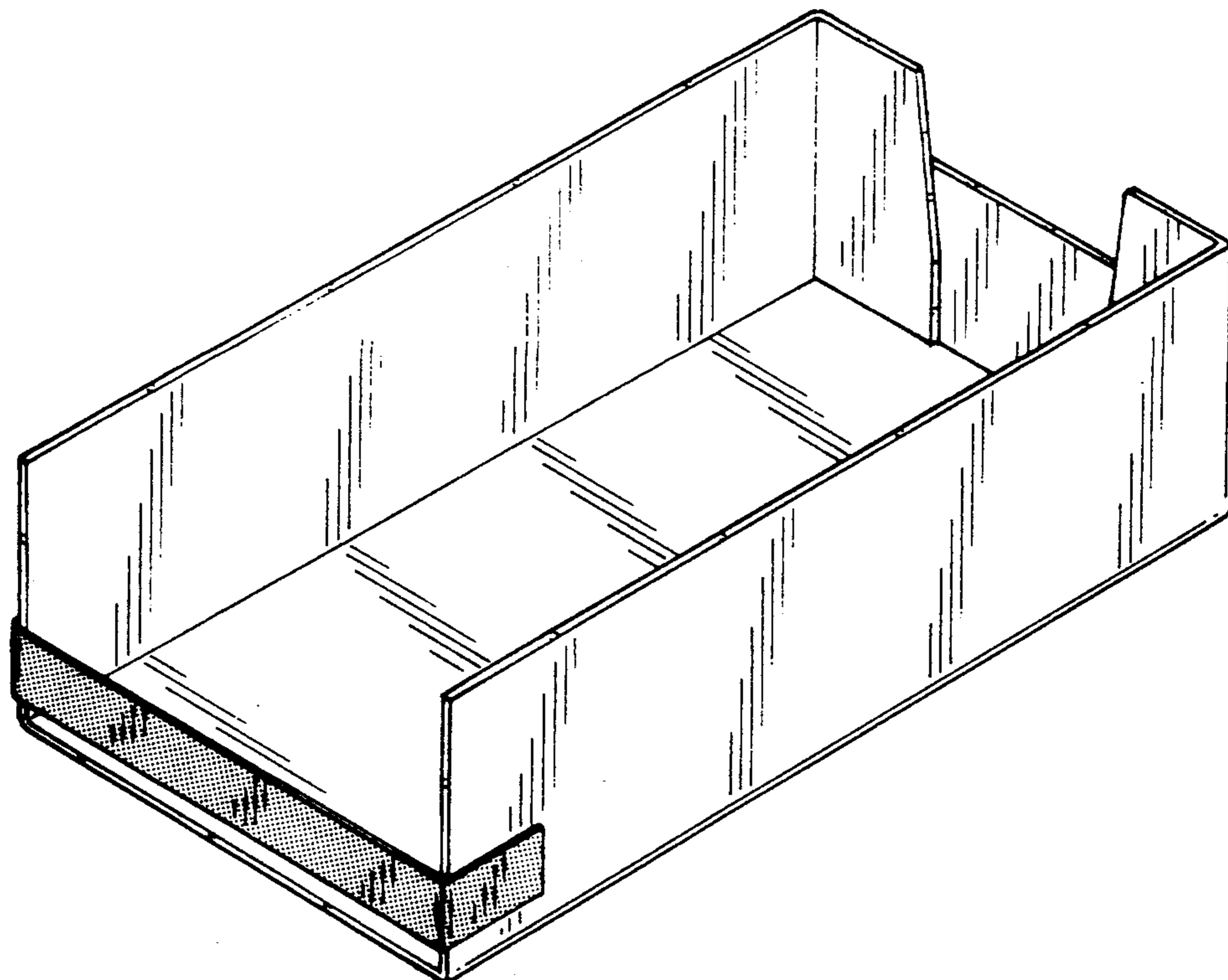


Fig.1

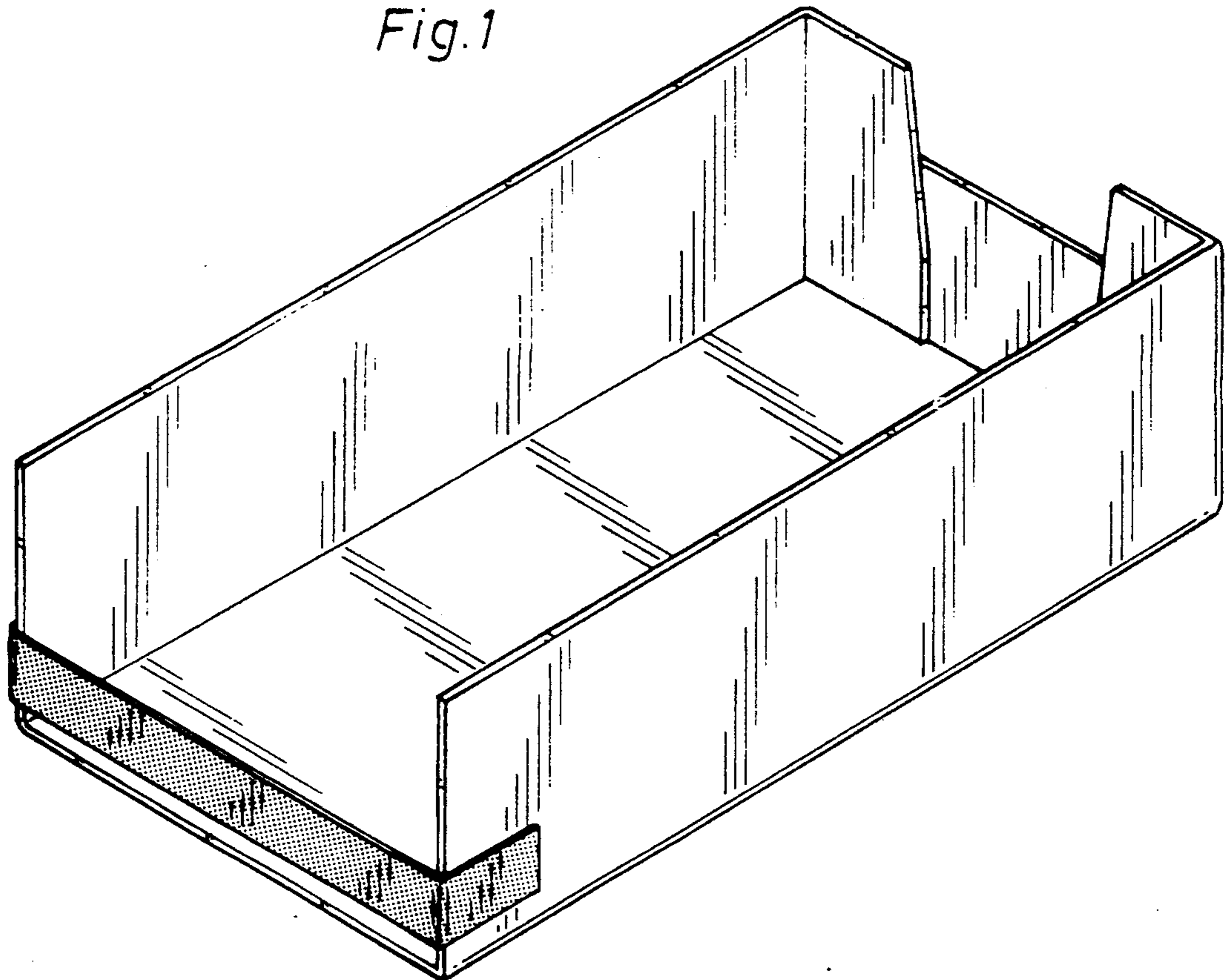


Fig.2

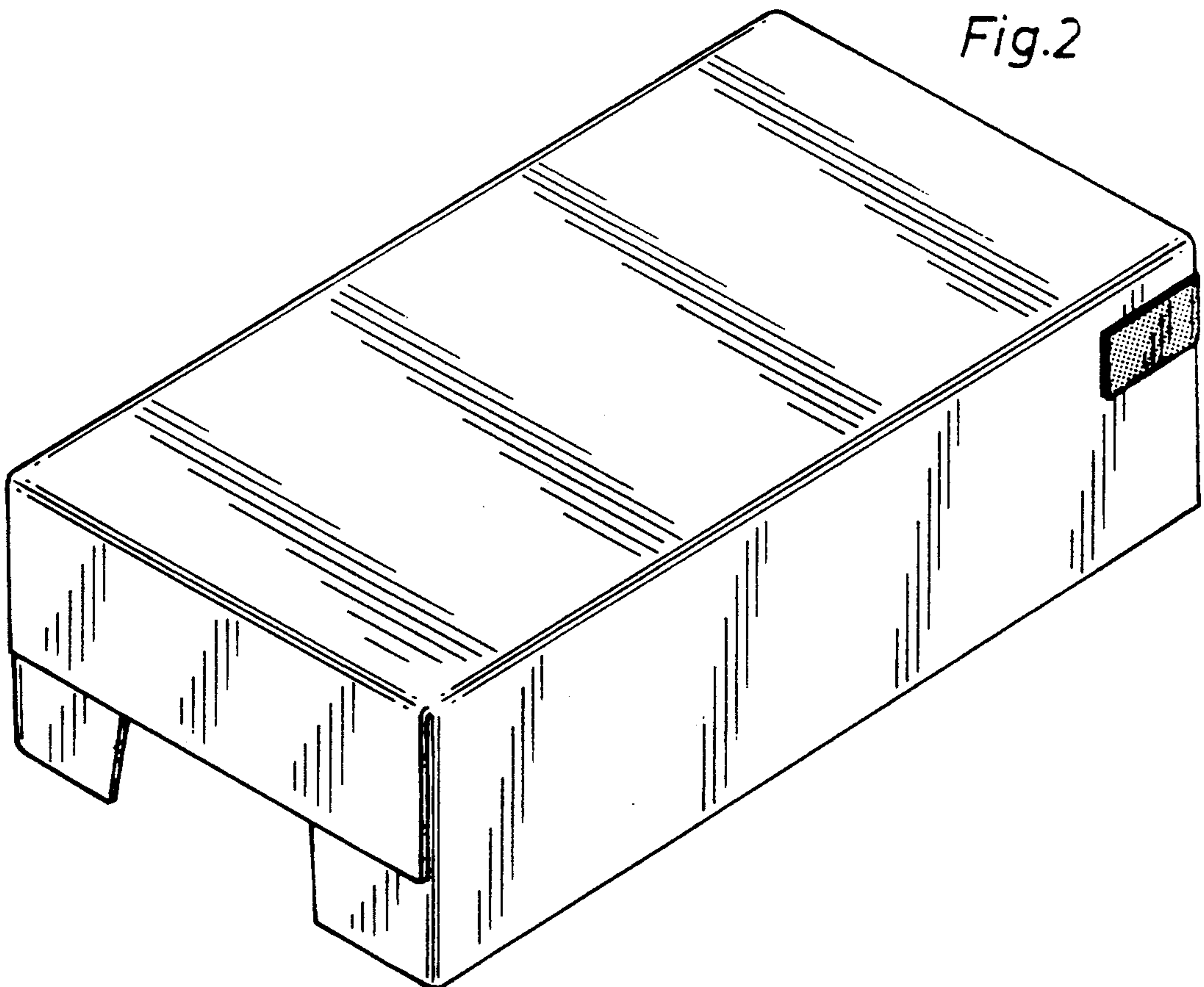


Fig. 3

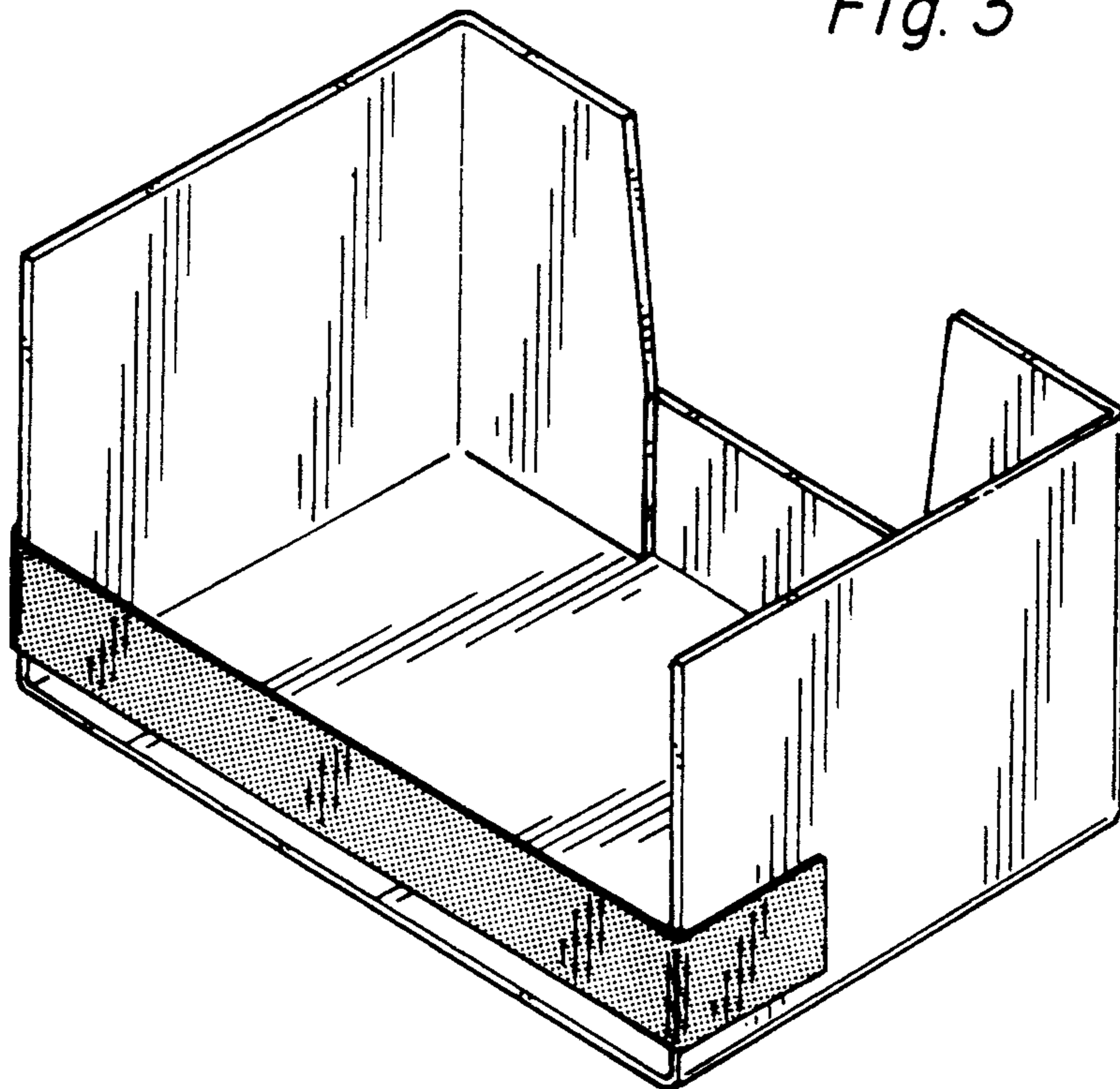


Fig. 4

