



US00D344837S

# United States Patent [19] Perry

[11] Patent Number: **Des. 344,837**  
[45] Date of Patent: **\*\* Mar. 1, 1994**

[54] AIR FREIGHT PALLET

5,092,541 3/1992 Tofflemire et al. .... 108/55.1

[76] Inventor: **Thomas J. Perry**, Box 822,  
Fairhaven, Mass. 02719

*Primary Examiner*—Kay H. Chin  
*Attorney, Agent, or Firm*—Robert J. Doherty

[\*\*] Term: **14 Years**

[57] **CLAIM**

[21] Appl. No.: **949,123**

The ornamental design for an air freight pallet, as shown and described.

[22] Filed: **Sep. 23, 1992**

[52] U.S. Cl. .... **D34/38**

[58] Field of Search ..... 108/51.1, 55.5, 52.1,  
108/53.1; 229/23 R; D34/28, 38

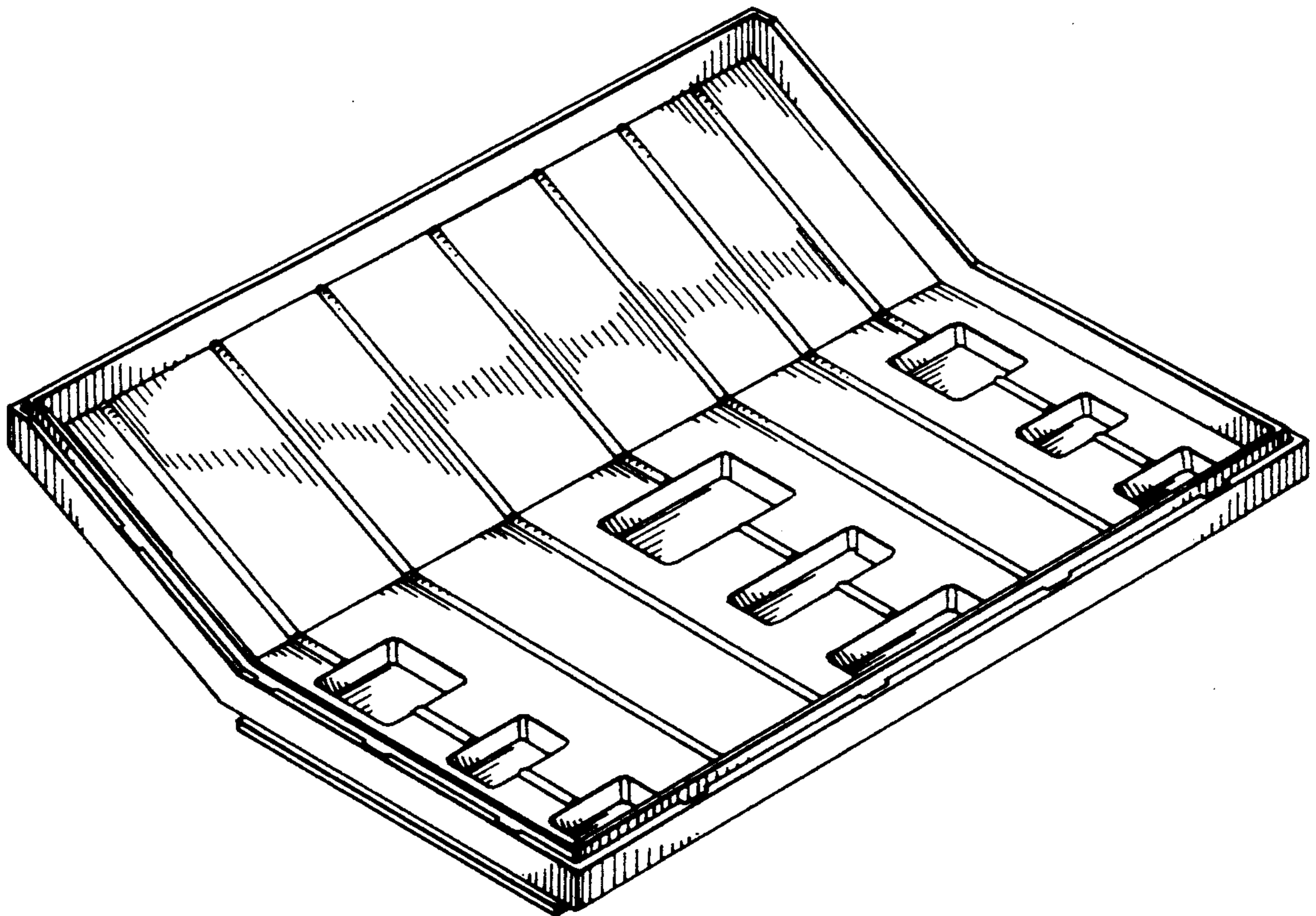
### DESCRIPTION

[56] **References Cited**

#### U.S. PATENT DOCUMENTS

2,611,569 9/1952 Coleman et al. .... 108/55.5  
4,693,411 9/1987 Snyder ..... 229/23 R

FIG. 1 is a top perspective view of an air freight pallet showing my new design therefore;  
FIG. 2 is a top plan view thereof;  
FIG. 3 is a bottom plan view thereof;  
FIG. 4 is a front elevational view thereof, the rear elevational view being a mirror image thereof;  
FIG. 5 is a right side elevational view thereof; and,  
FIG. 6 is a left side elevational view thereof.



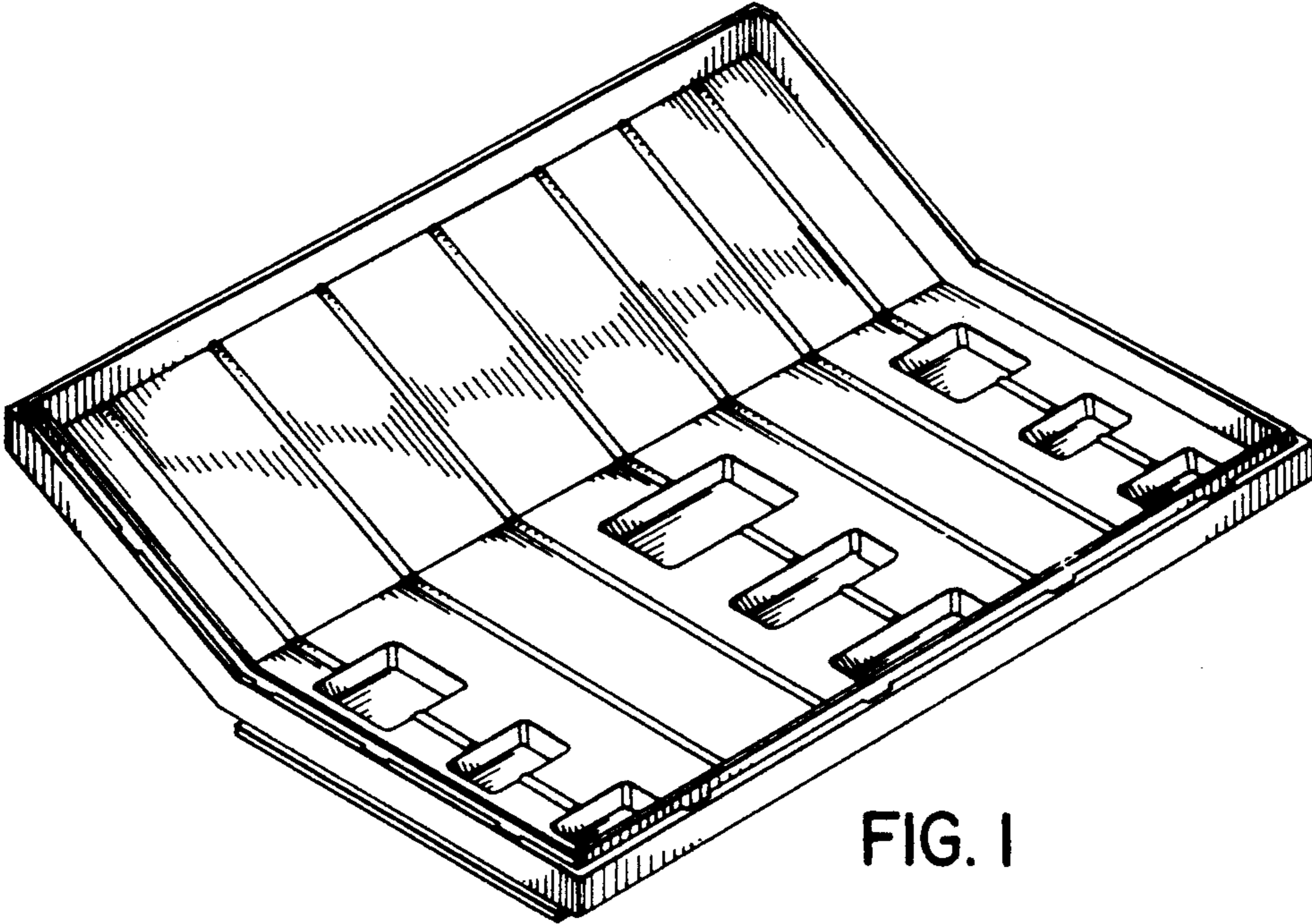


FIG. 1

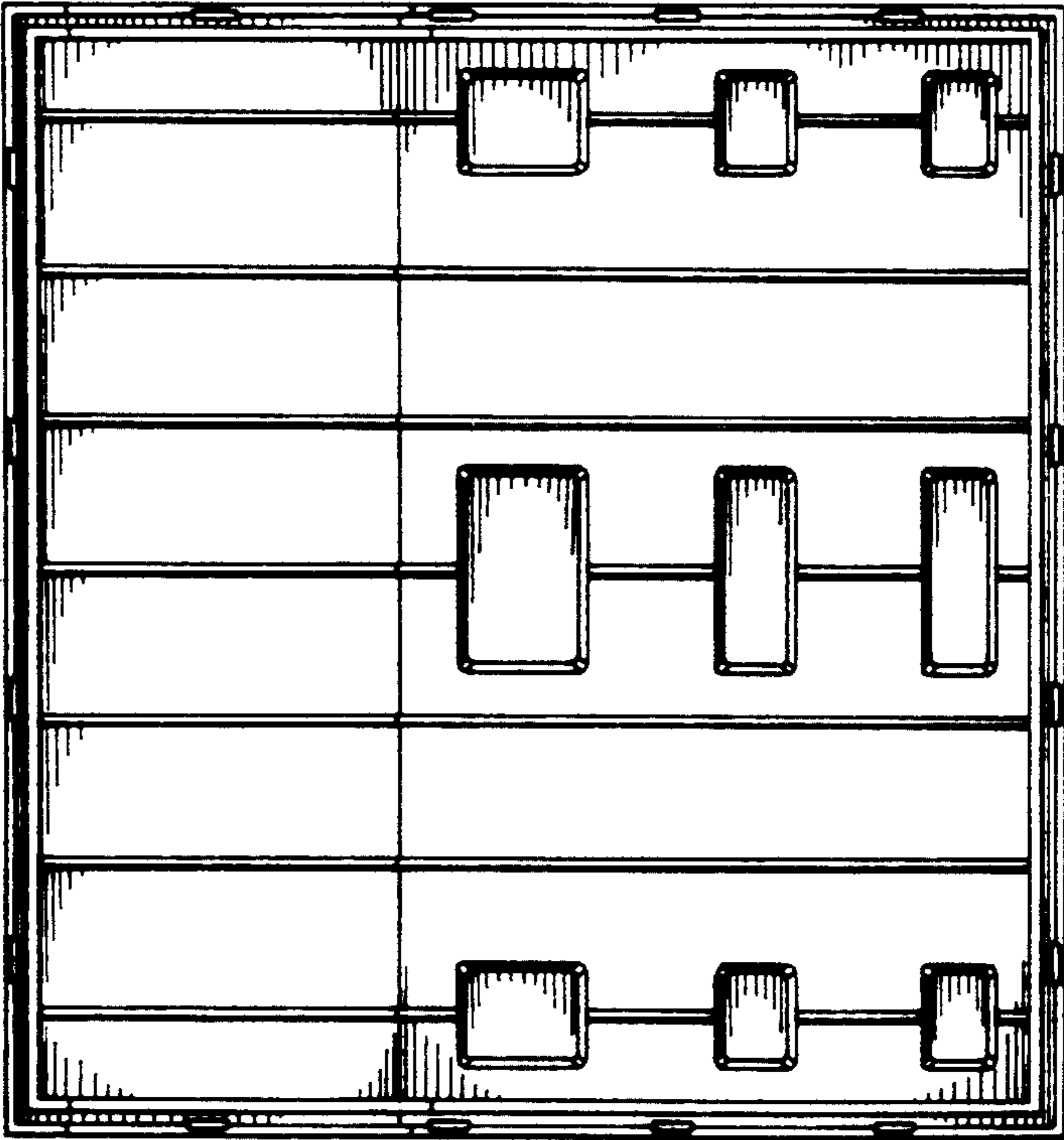


FIG. 2

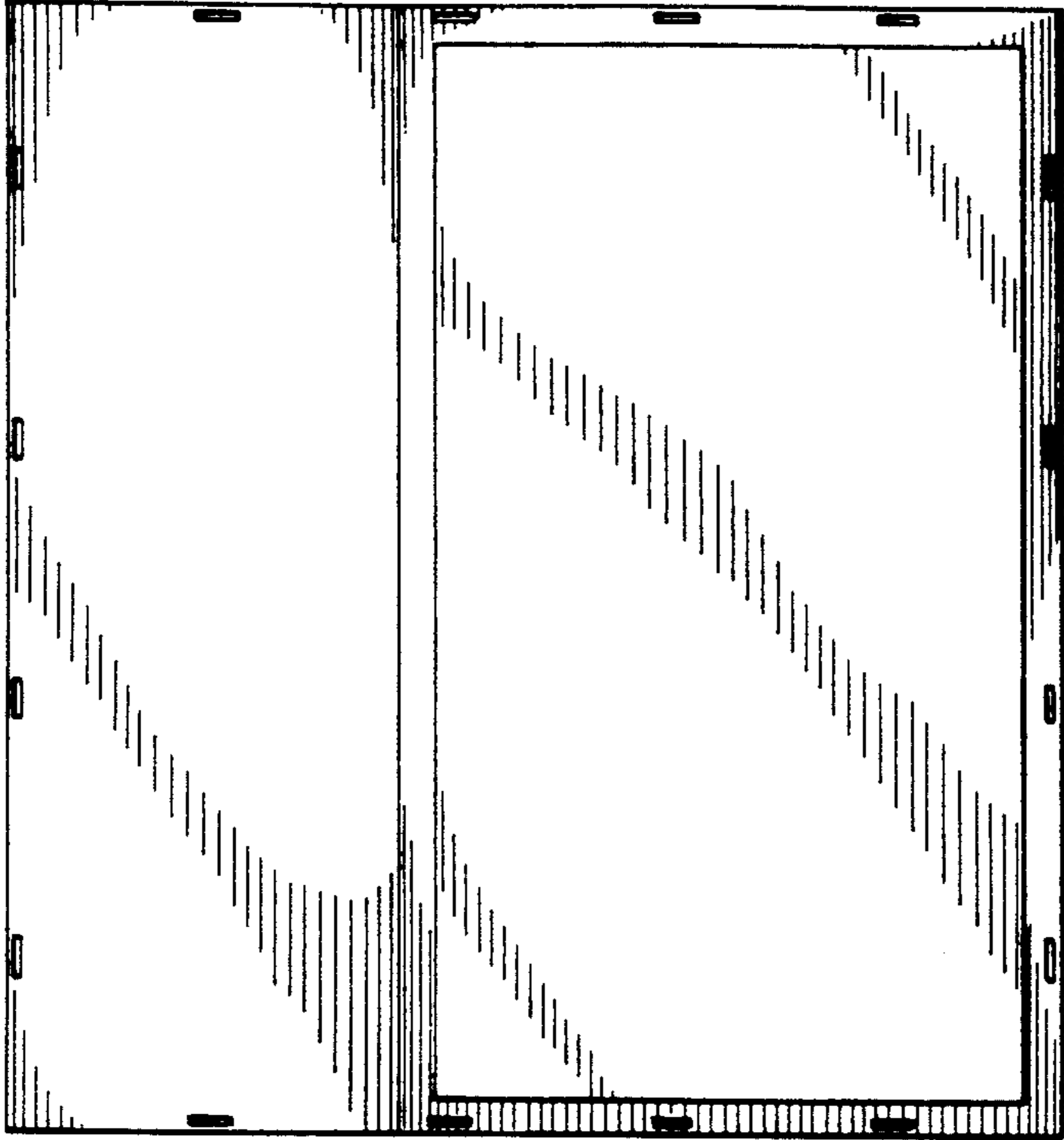


FIG. 3

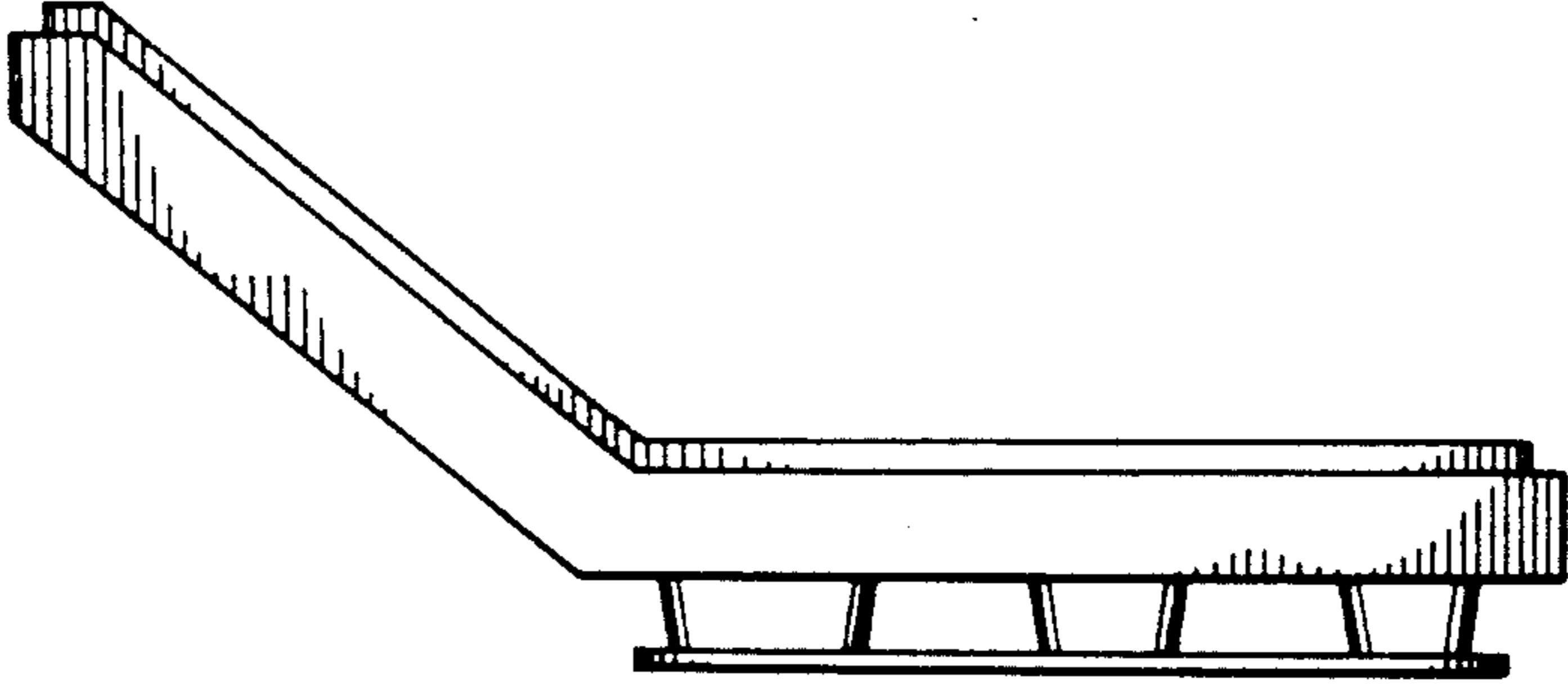


FIG. 4

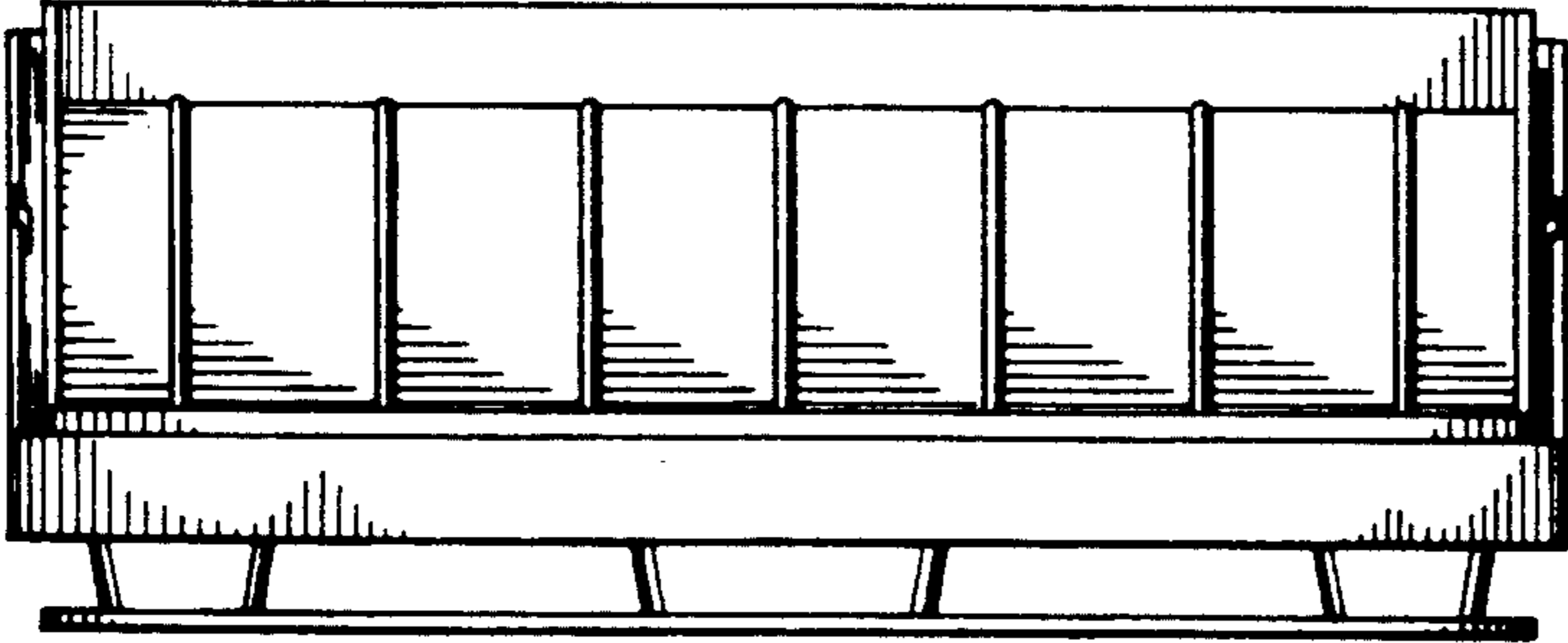


FIG. 5

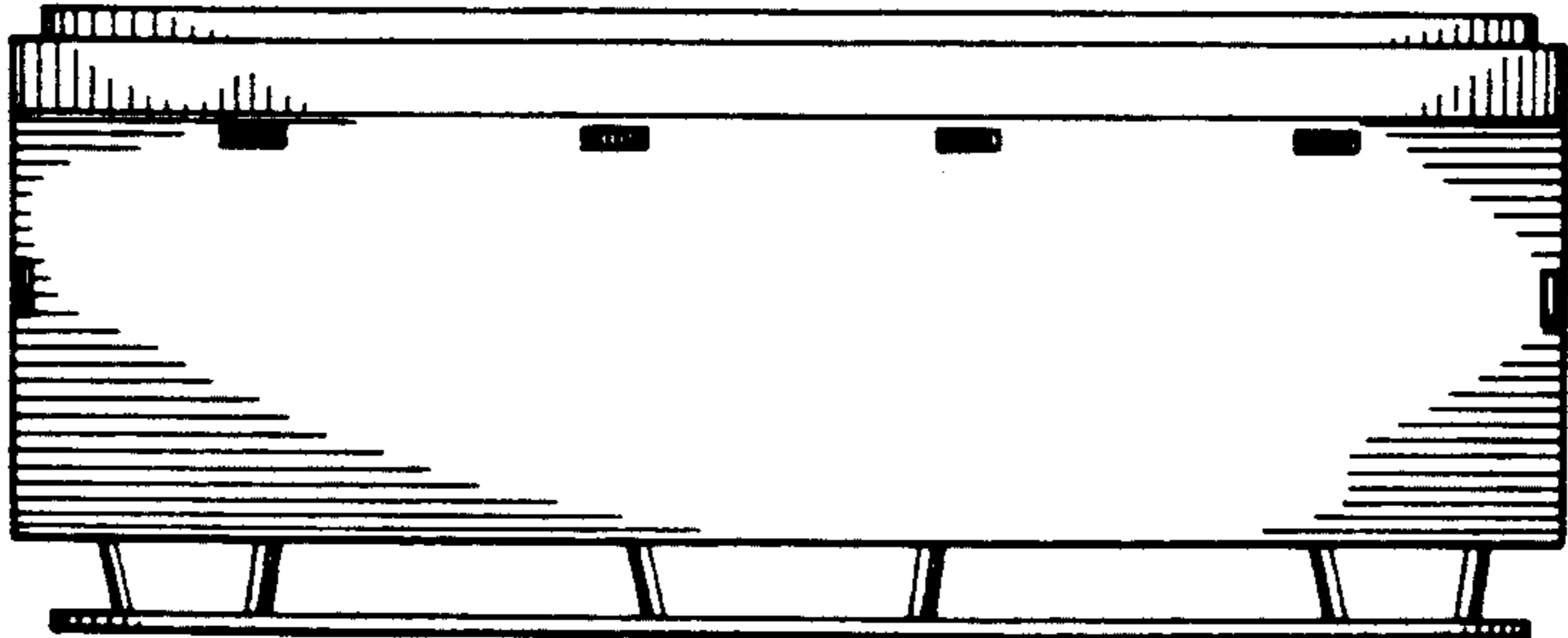


FIG. 6