



US00D344836S

United States Patent [19]

[11] Patent Number: **Des. 344,836**

Huffman

[45] Date of Patent: **** Mar. 1, 1994**

[54] **DEVICE FOR LIFTING TILT-UP CONCRETE WALLS WITH GROUND CONTROL RELEASE**

*Primary Examiner—Kay H. Chin
Attorney, Agent, or Firm—Harry I. Leon*

[76] Inventor: **Lowell C. Huffman**, 955 Hurricane Shoals Rd., Lawrenceville, Ga. 30243

[57] **CLAIM**

The ornamental design for a device for lifting tilt-up concrete walls with ground control release, as shown and described.

[**] Term: **14 Years**

DESCRIPTION

[21] Appl. No.: **948,891**

FIG. 1 is a perspective view of a device for lifting tilt-up concrete walls with ground control release showing my new design, the broken line illustration of crane hook and concrete wall is for illustrative purposes only;

[22] Filed: **Sep. 21, 1992**

[52] U.S. Cl. **D34/35; D34/33**

[58] Field of Search 294/82.35, 75, 82.34, 294/82.36; D34/28, 35, 33, 34

FIG. 2 is a perspective view of the device releasing the lifting pin from a tilt-up concrete wall;

FIG. 3 is a side elevational view of FIG. 1;

FIG. 4 is a side elevational view of FIG. 2;

FIG. 5 is an end elevational view of FIG. 1;

FIG. 6 is an end elevational view of FIG. 2;

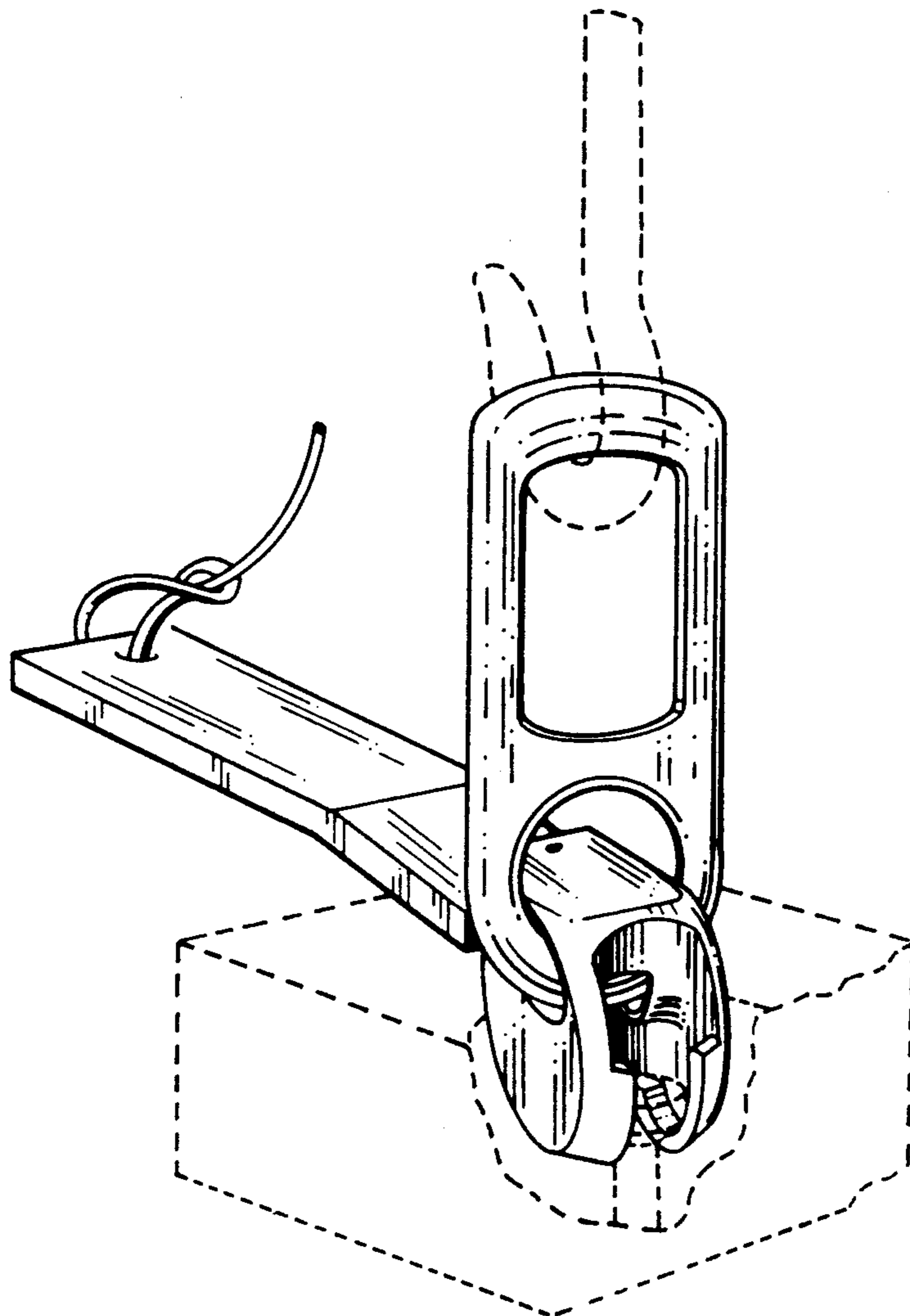
FIG. 7 is a bottom plan view of FIG. 1; and,

FIG. 8 is a bottom plan view of FIG. 2.

[56] References Cited

U.S. PATENT DOCUMENTS

3,998,487	12/1976	Biondo	294/75
4,216,987	8/1980	Ely	294/82.35
5,152,567	10/1992	Raber	294/82.35



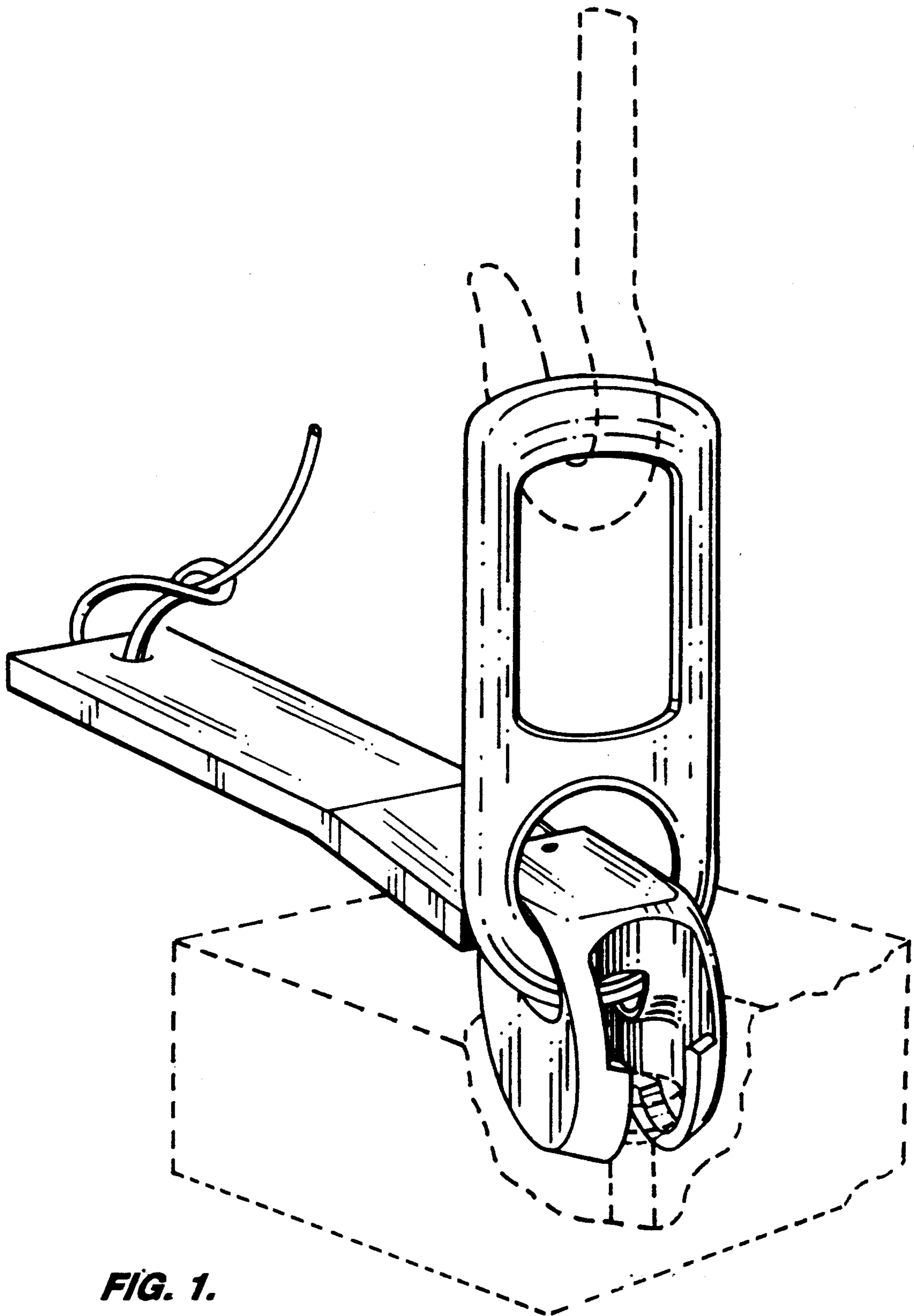


FIG. 1.

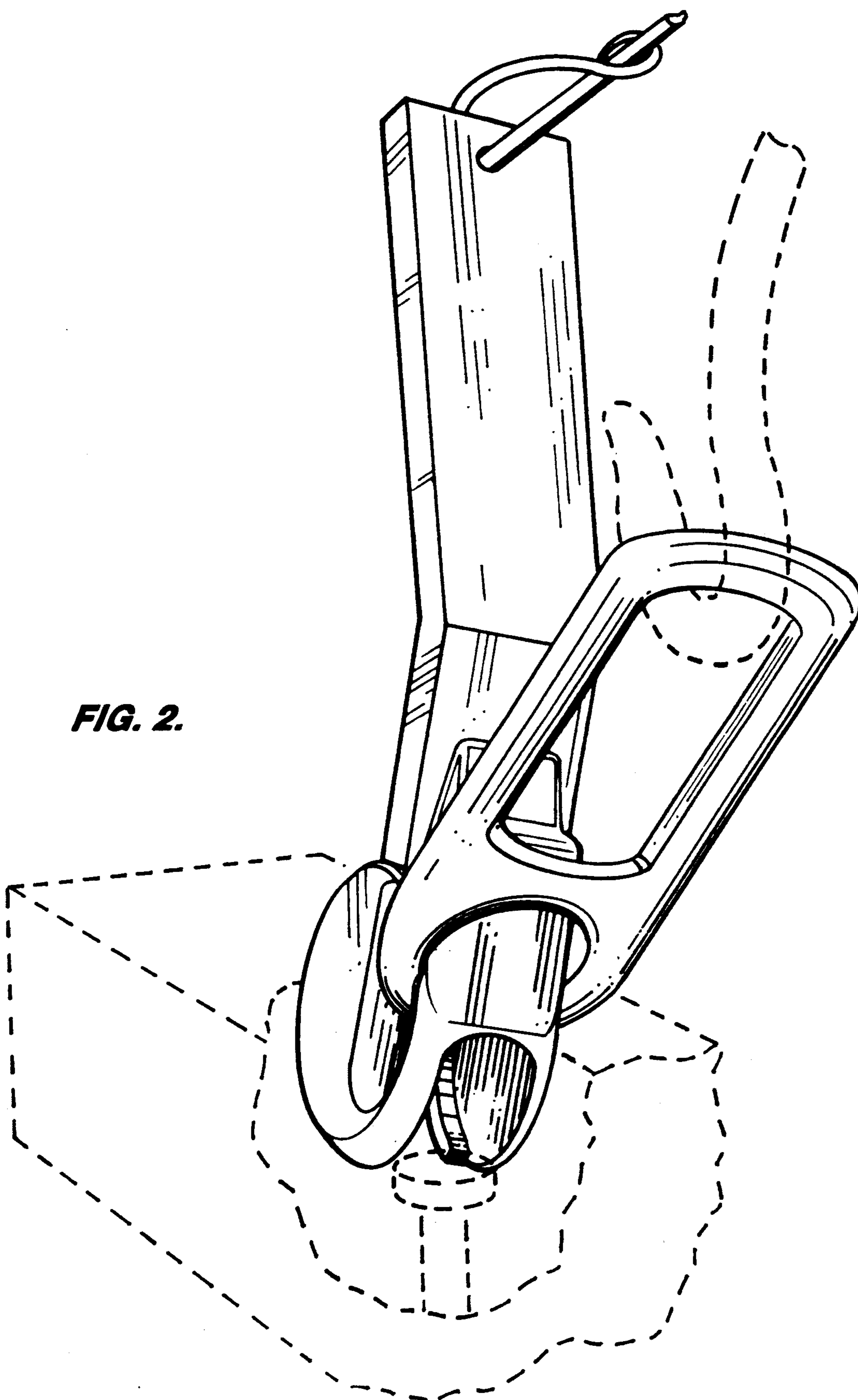


FIG. 2.

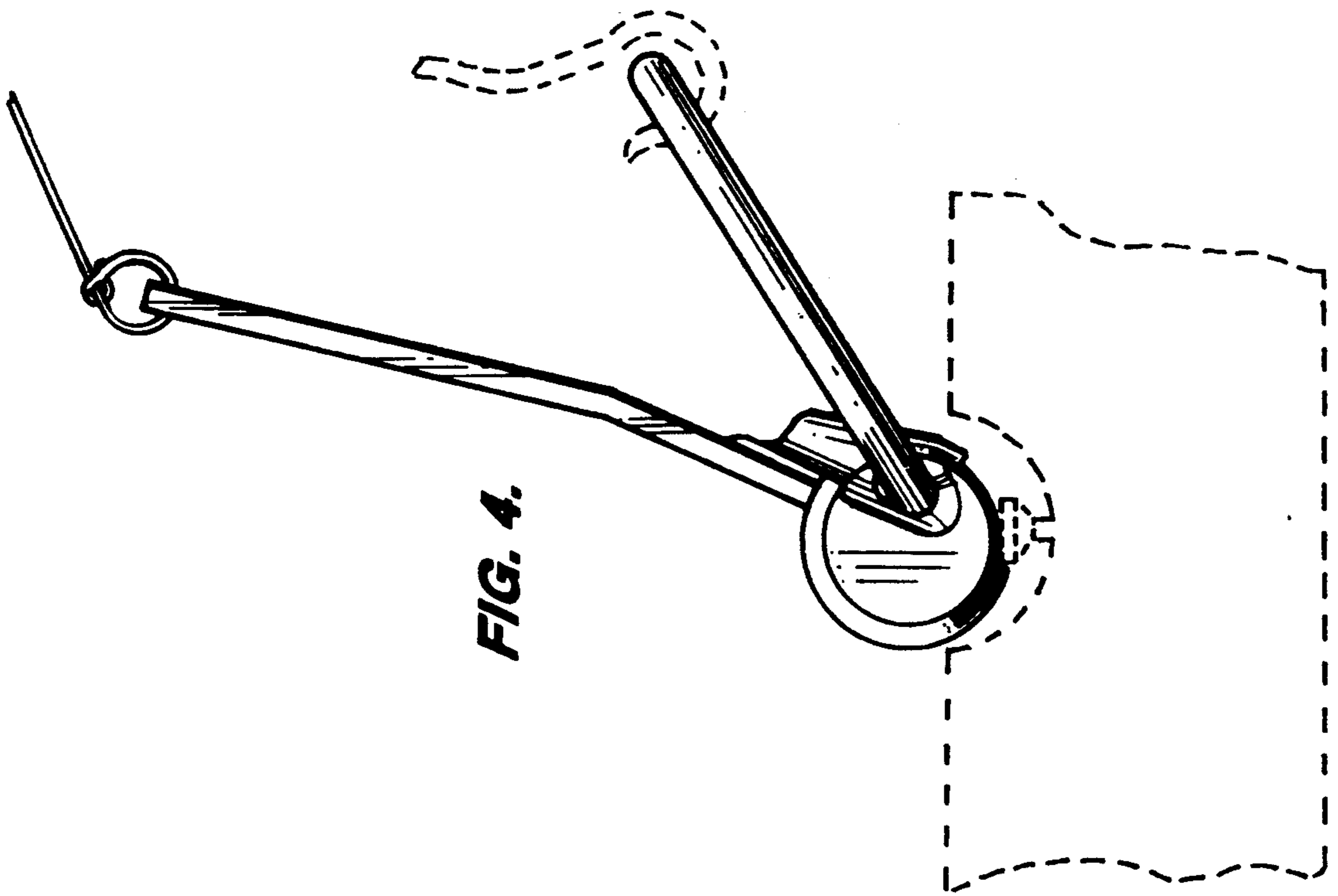


FIG. 4.

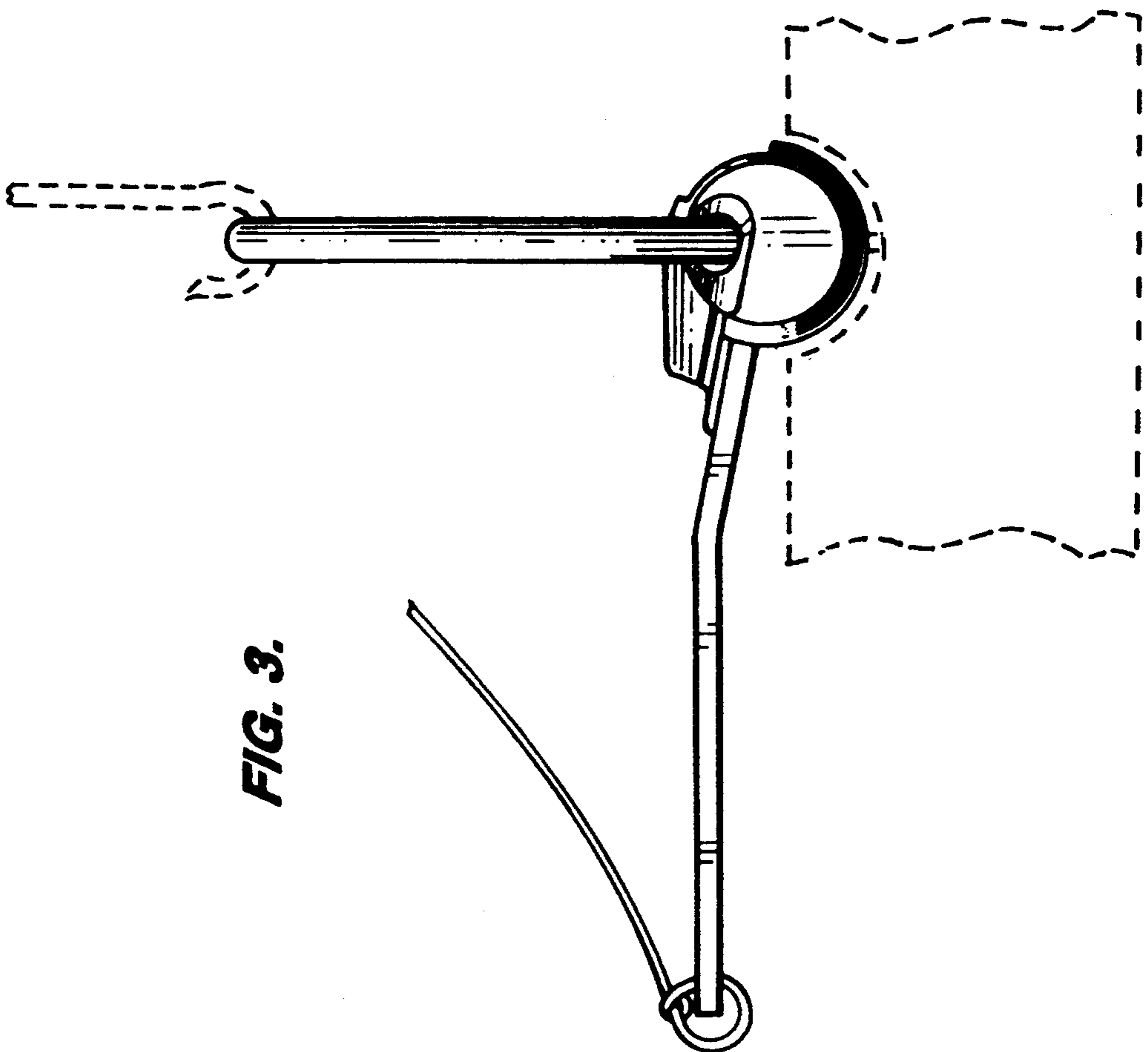


FIG. 3.

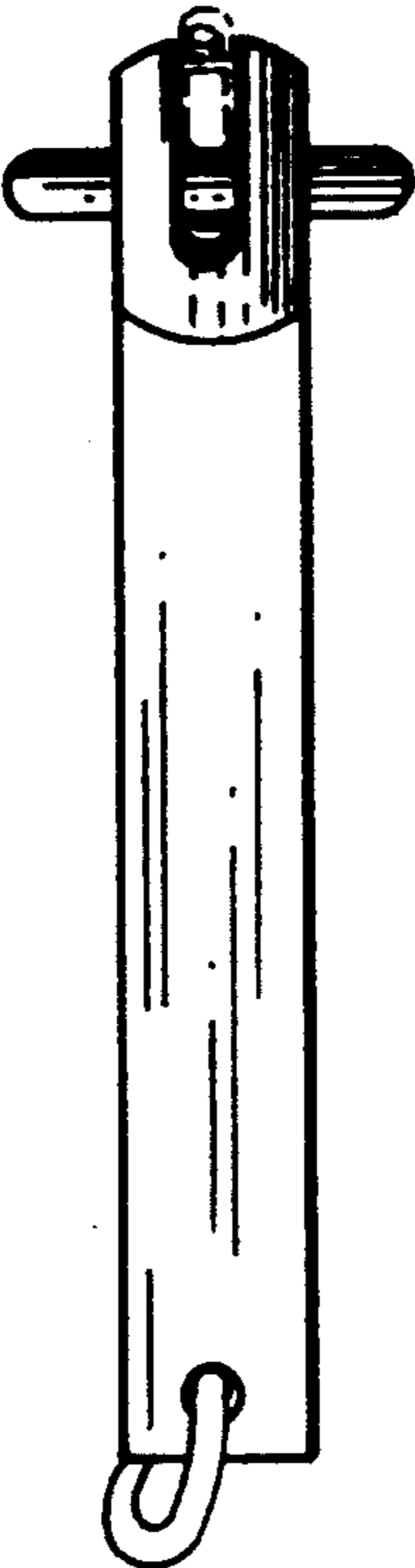


FIG. 7.

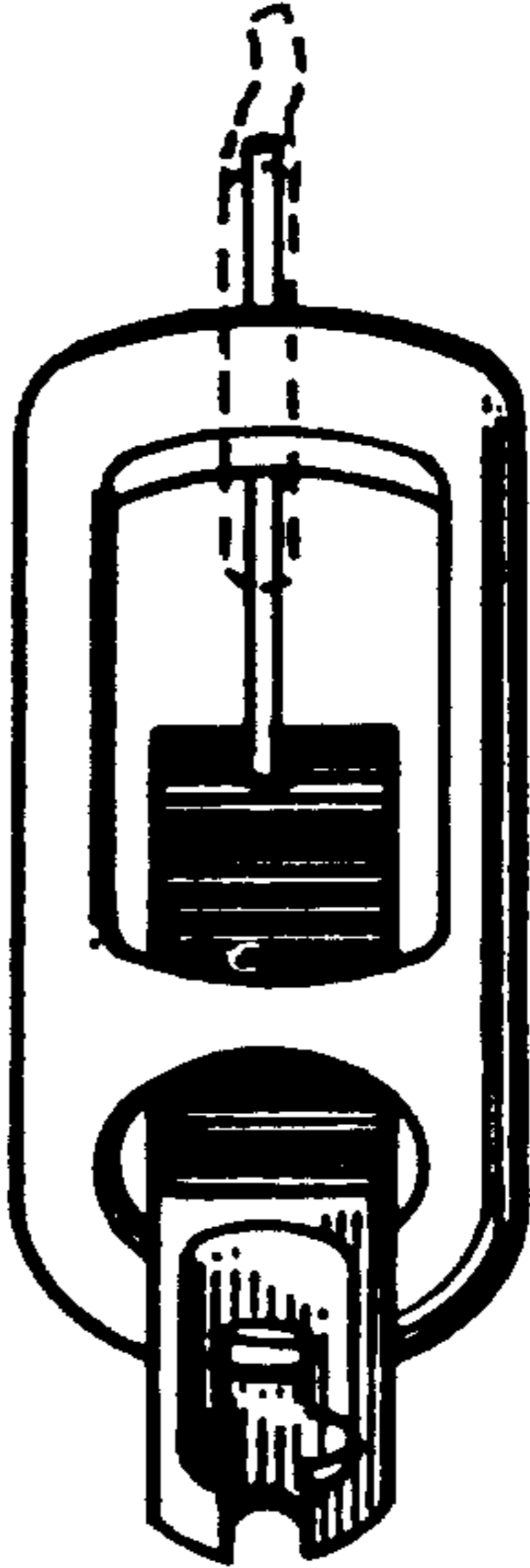


FIG. 8.

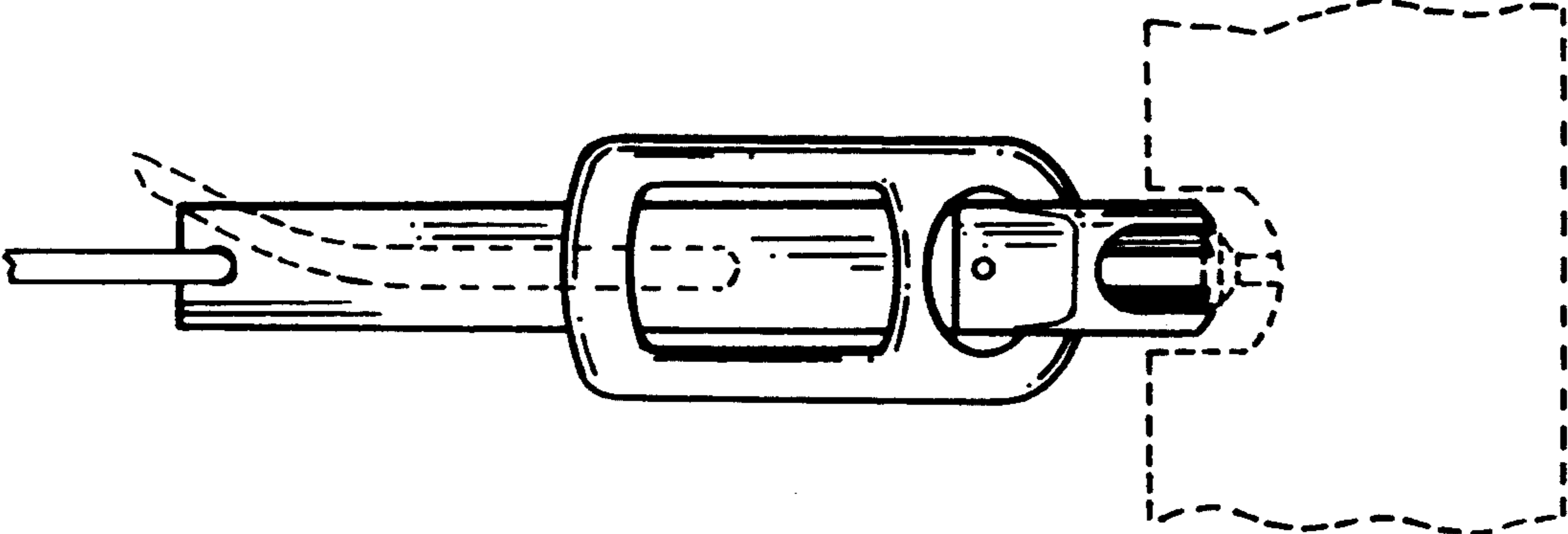


FIG. 6.

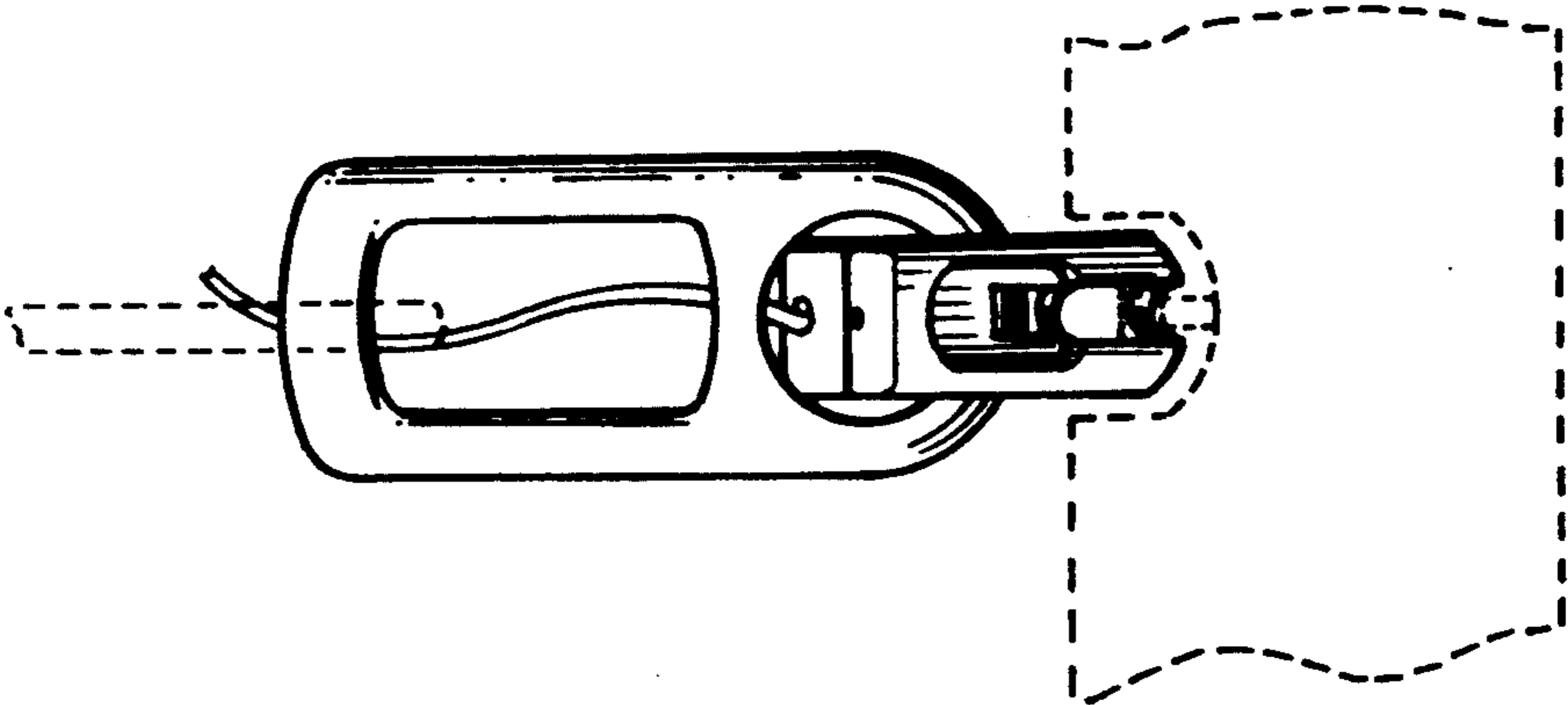


FIG. 5.