



US00D344835S

United States Patent [19]

MacEachern

[11] Patent Number: **Des. 344,835**

[45] Date of Patent: **** Mar. 1, 1994**

[54] **LIFTING DEVICE**

[76] Inventor: **Lawrence A. MacEachern, 9700 Whitefield, East Jordan, Mich. 49727**

[**] Term: **14 Years**

[21] Appl. No.: **774,057**

[22] Filed: **Oct. 3, 1991**

[52] U.S. Cl. **D34/31; D34/28**

[58] Field of Search **187/8.72, 8.75, 8.61; 254/2 C, 10 R, 87 H, 124; D34/28, 31**

[56] **References Cited**

U.S. PATENT DOCUMENTS

D. 273,433 4/1984 Masui D34/28

3,317,004	5/1967	Harrison, Jr.	187/8.72
3,363,778	1/1968	Larsson	254/124
3,709,330	1/1973	Wells et al.	187/8.75
4,848,732	7/1989	Rossato	187/8.72

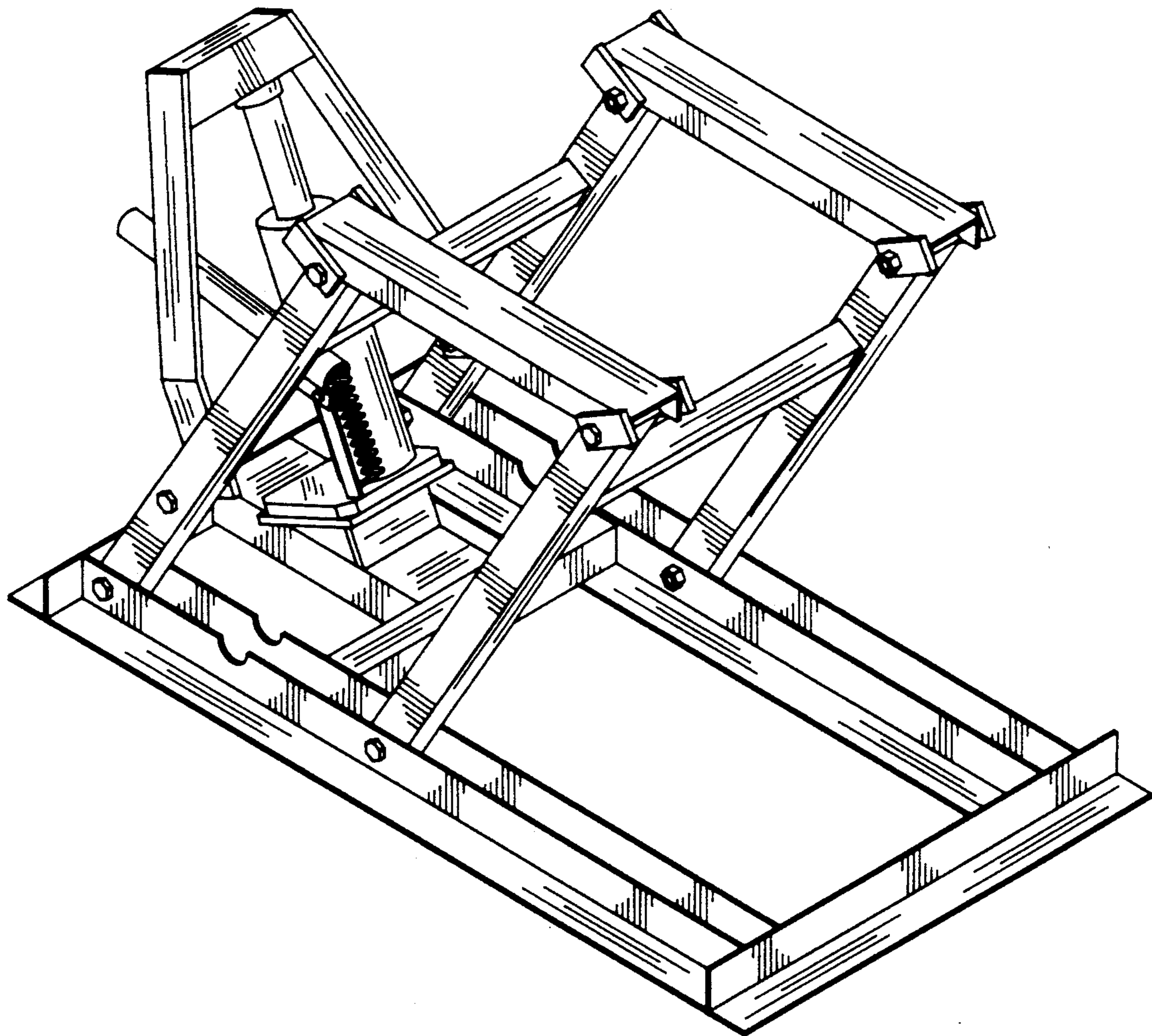
Primary Examiner—**Kay H. Chin**

[57] CLAIM

The ornamental design for a lifting device, as shown and described.

DESCRIPTION

FIG. 1 is a left side view of a lifting device showing my new design; FIG. 2 is a right side view of a lifting device showing my new design; and, FIG. 3 is an end perspective view of the lifting device on FIG. 1.



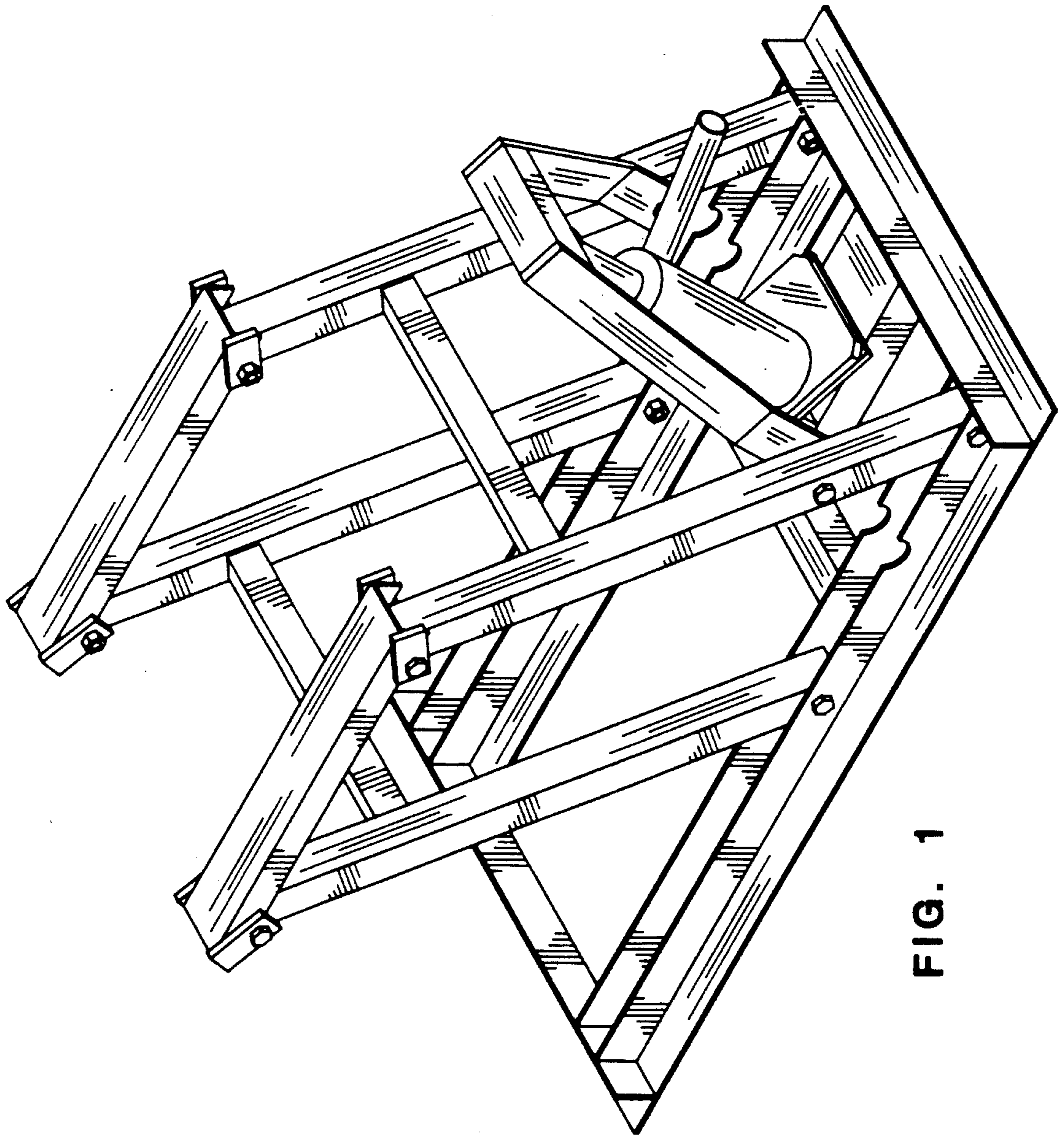


FIG. 1

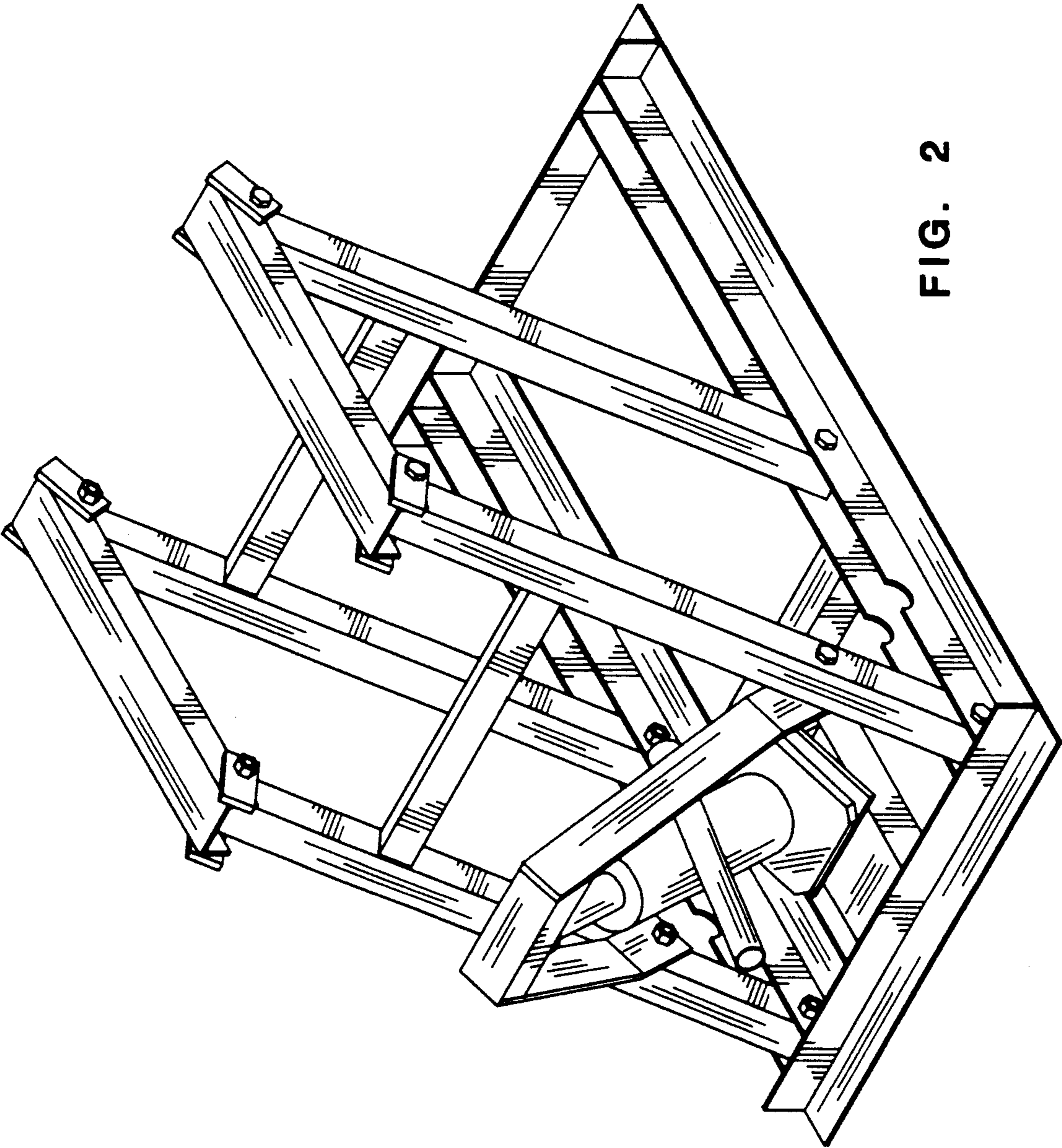


FIG. 2

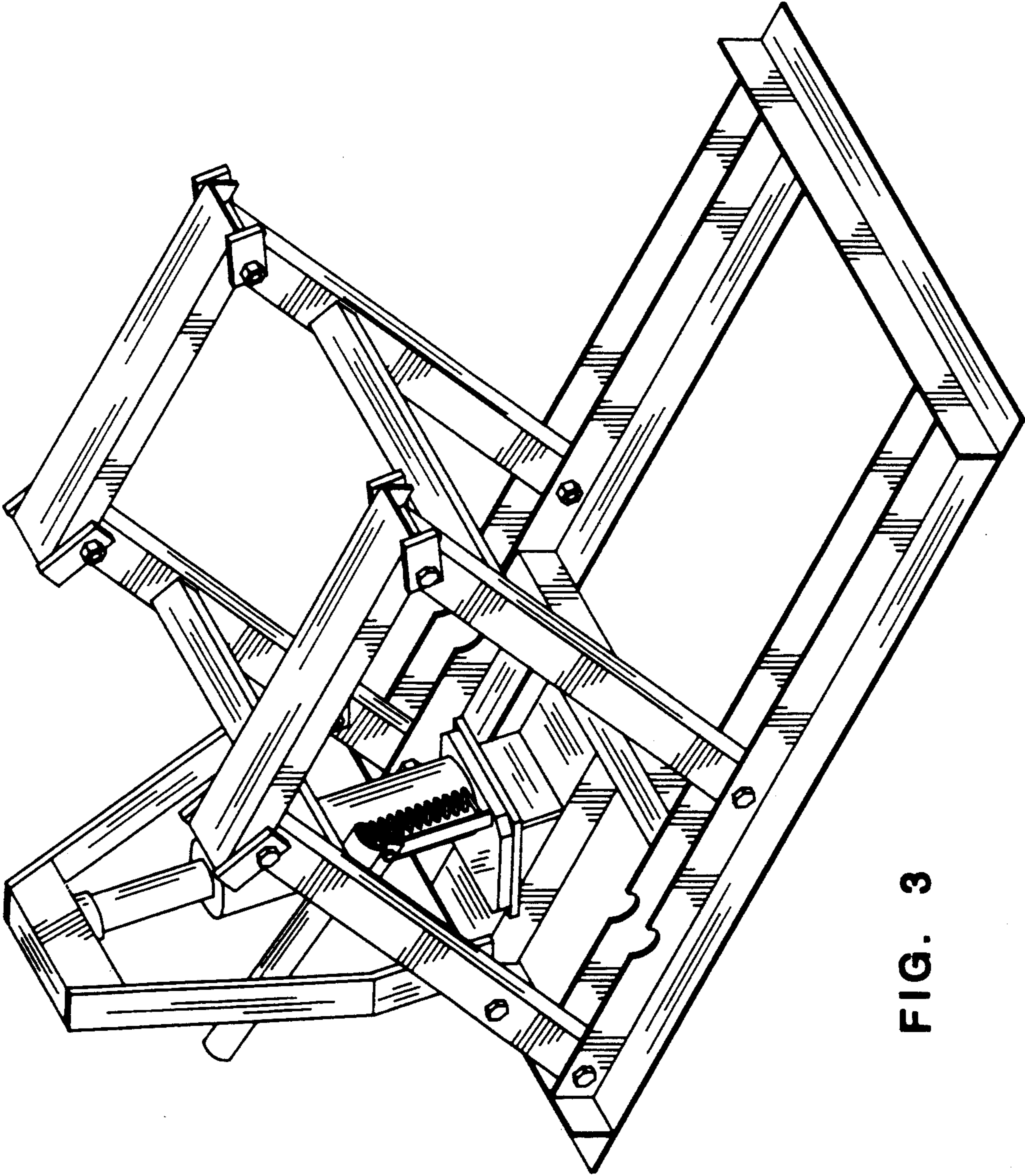


FIG. 3