



US00D344834S

# United States Patent [19] Ries

[11] Patent Number: **Des. 344,834**  
[45] Date of Patent: **\*\* Mar. 1, 1994**

[54] **PONTOON BOAT LAUNCH**

5,158,315 10/1992 Godbersen ..... 280/414.1  
5,211,124 5/1993 Reiser ..... 114/44

[76] Inventor: **Richard Ries**, 1340 South St., P.O.  
Box 62, Dansville, Mich. 48819

*Primary Examiner*—Kay H. Chin  
*Attorney, Agent, or Firm*—Terry M. Gernstein

[\*\*] Term: **14 Years**

[57] **CLAIM**

[21] Appl. No.: **876,023**

The ornamental design for a pontoon boat launch, as shown and described.

[22] Filed: **Apr. 30, 1992**

[52] U.S. Cl. .... **D34/28; D12/317**

[58] Field of Search ..... **414/482, 678; 114/44,**  
**114/268, 344; 280/414.1; D34/28, 12; D12/317**

**DESCRIPTION**

[56] **References Cited**

**U.S. PATENT DOCUMENTS**

|           |         |            |         |
|-----------|---------|------------|---------|
| 3,977,030 | 8/1976  | Ringdal    | 114/344 |
| 4,685,855 | 8/1987  | Celli      | 414/482 |
| 4,745,873 | 5/1988  | Mott       | 114/344 |
| 4,787,327 | 11/1988 | Porter     | 114/44  |
| 4,936,595 | 6/1990  | Cunningham | 114/344 |

FIG. 1 is a perspective view of the pontoon boat launch embodying the design of the present invention in the partially open condition;

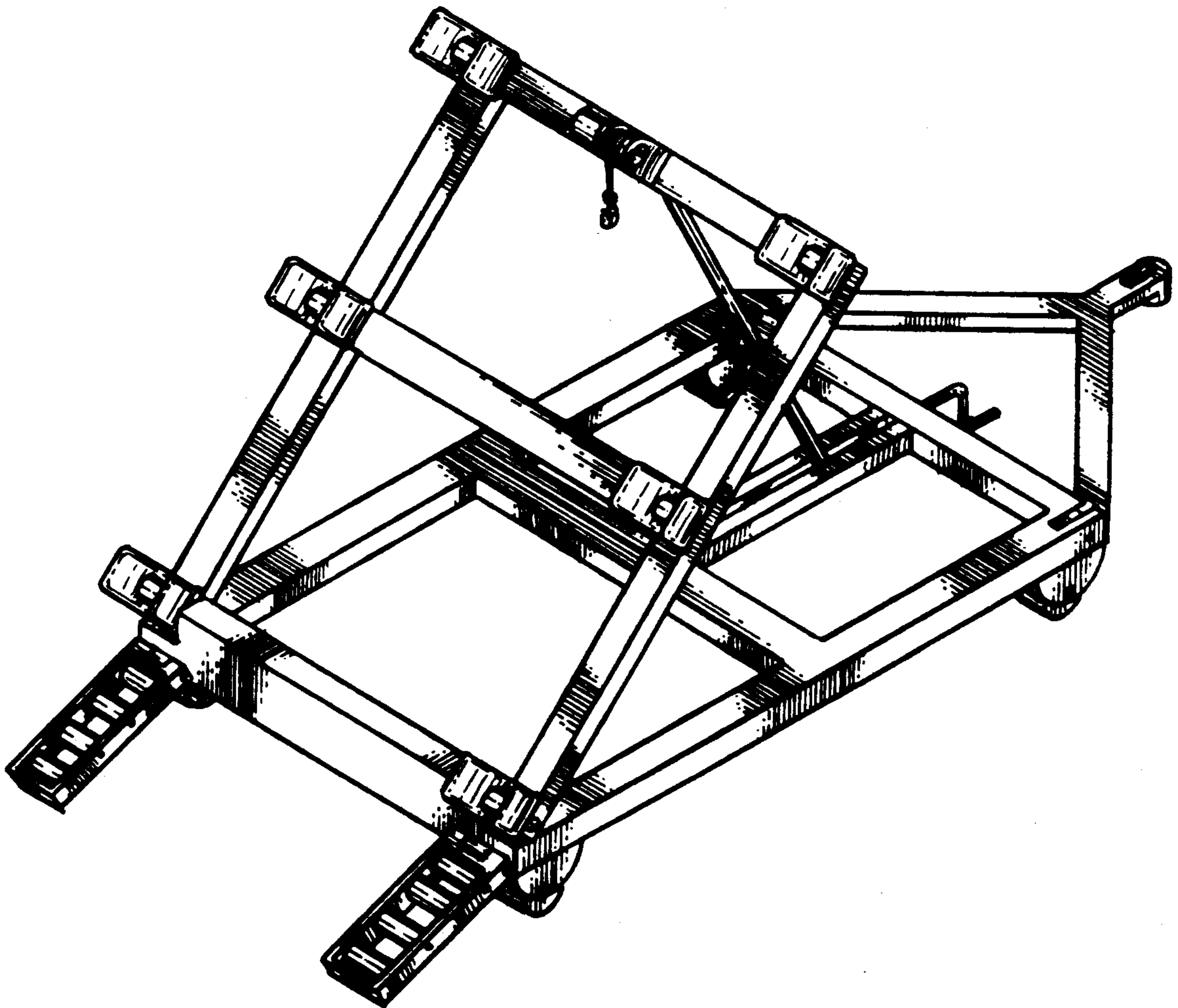
FIG. 2 is a front elevational view thereof;

FIG. 3 is a rear elevational view thereof;

FIG. 4 is a side elevational view thereof, the side opposite being a mirror image of the side shown in FIG. 4;

FIG. 5 is a top plan view thereof; and,

FIG. 6 is a bottom view thereof.



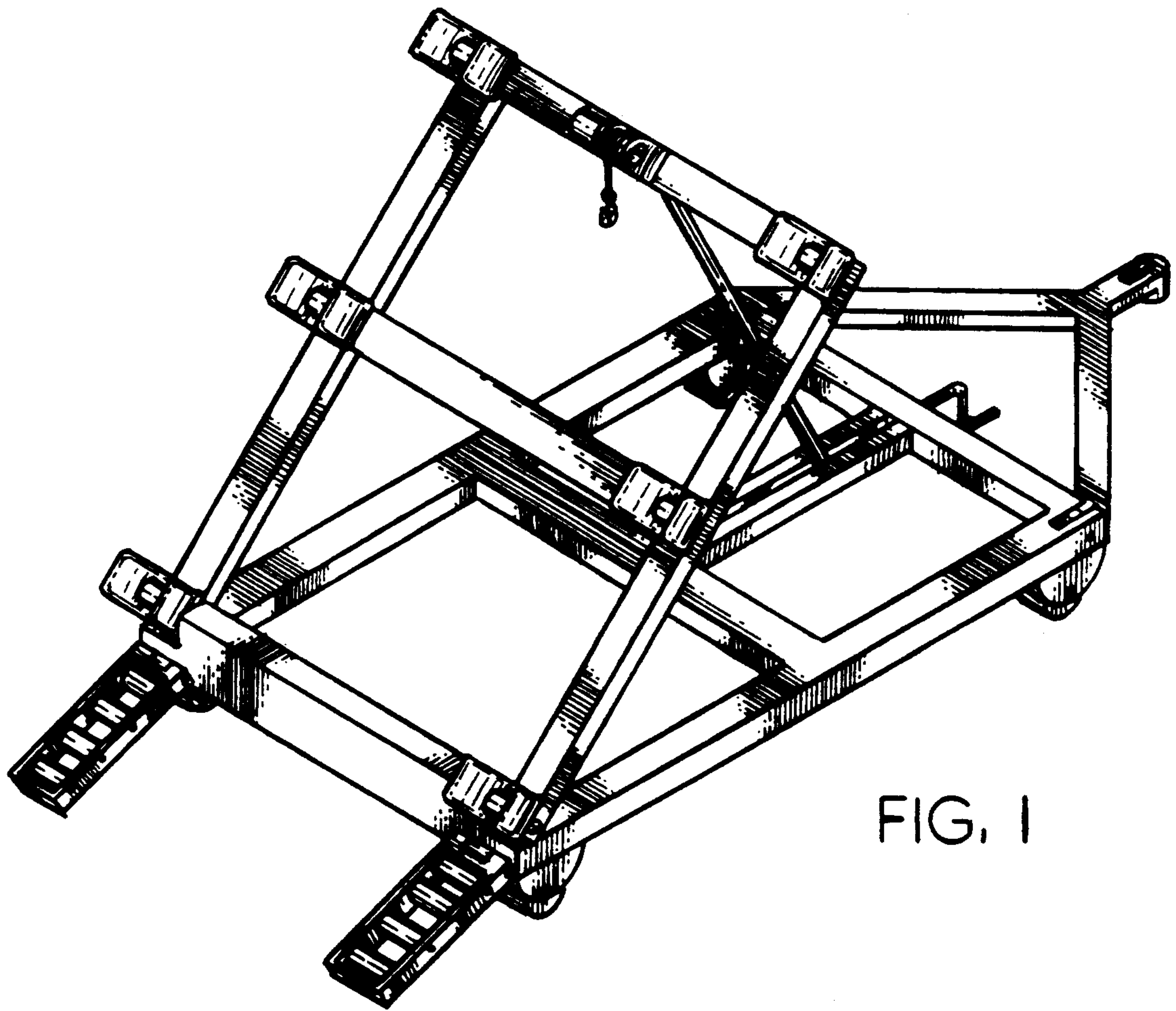


FIG. 1



FIG. 3

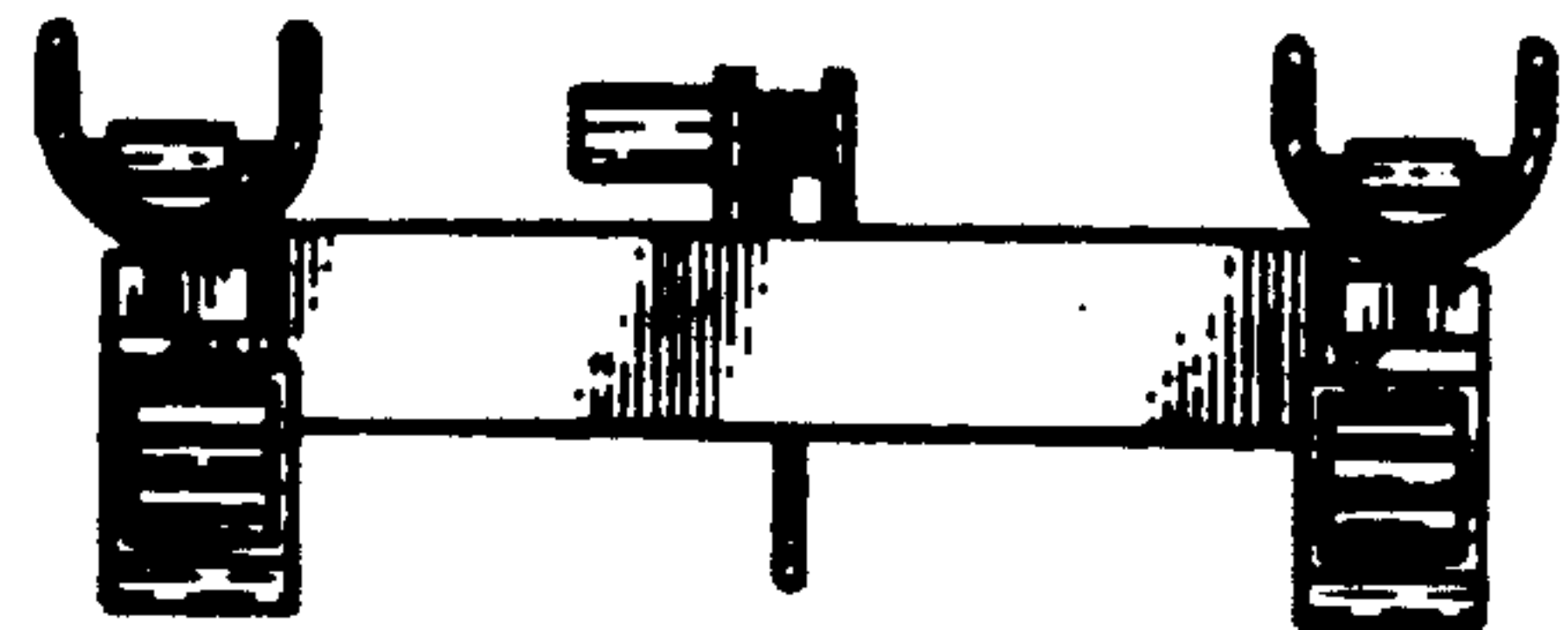


FIG. 2

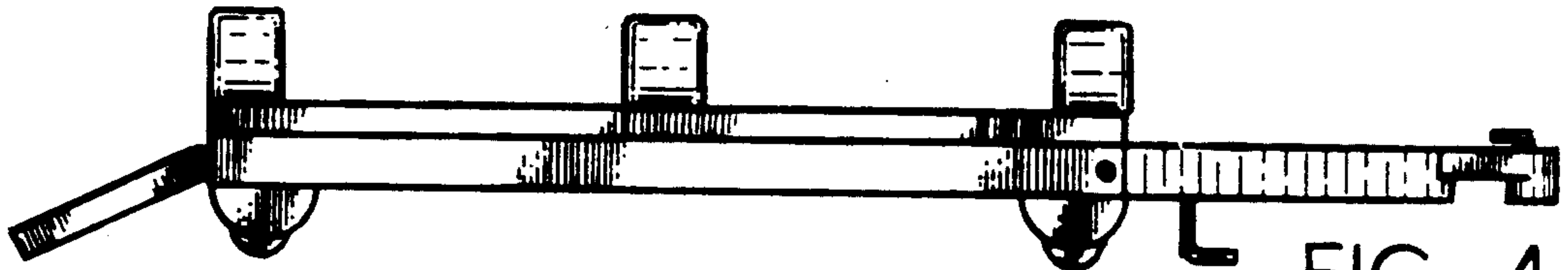


FIG. 4

FIG. 5

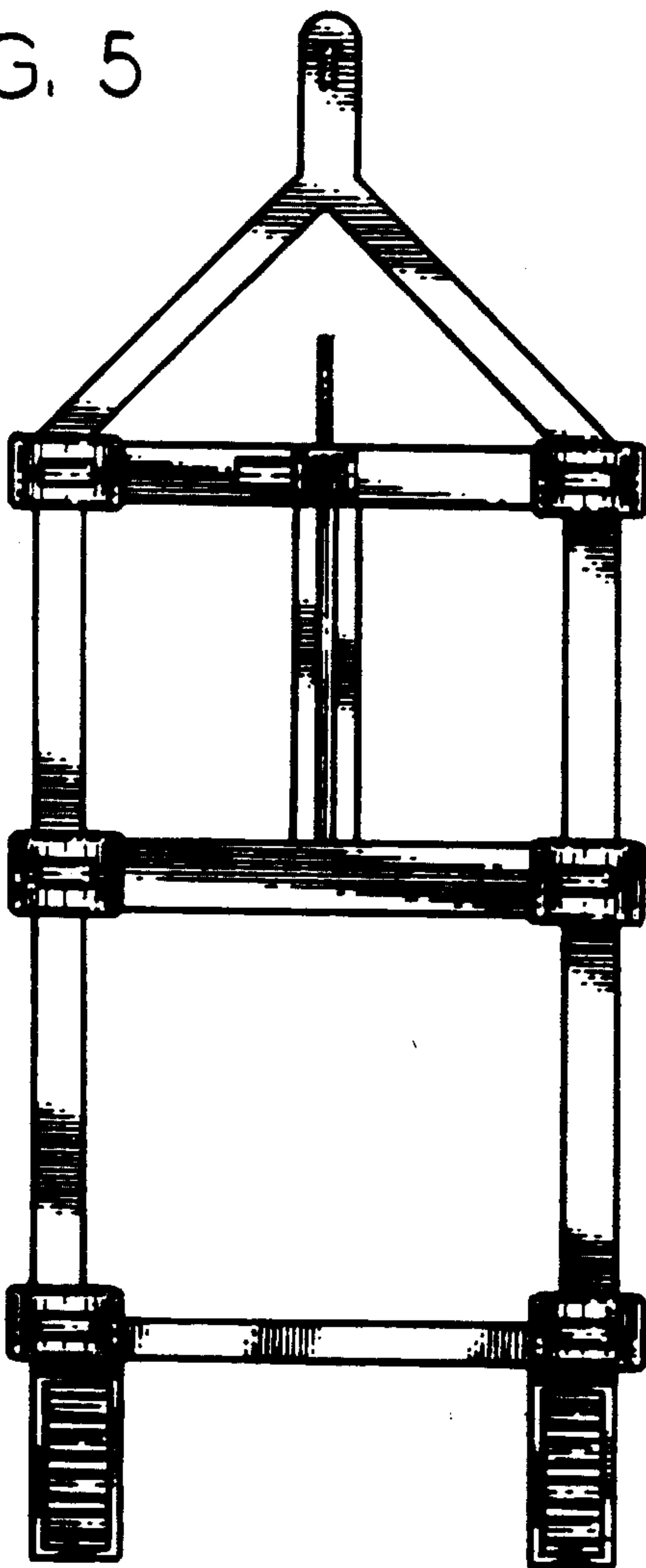


FIG. 6

