



US00D344832S

United States Patent [19]

Cyphers et al.

[11] Patent Number: **Des. 344,832**

[45] Date of Patent: **** Mar. 1, 1994**

[54] **PAINT HOPPER ASSEMBLY**

[75] Inventors: **Norman A. Cyphers, Rogers; Dwaine D. Straight, Mounds View; Larry M. Berens, Blaine, all of Minn.**

[73] Assignee: **Wagner Spray Tech Corporation, Minneapolis, Minn.**

[**] Term: **14 Years**

[21] Appl. No.: **953,587**

[22] Filed: **Sep. 29, 1992**

[52] U.S. Cl. **D34/25; D34/24**

[58] Field of Search **280/47.26, 47.18, 652, 280/47.34; D34/12, 24, 25, 26**

[56] **References Cited**

U.S. PATENT DOCUMENTS

2,532,015 11/1950 Delay 280/47.26

2,867,449	1/1959	Shawver	280/47.26
3,415,534	12/1968	Wieczorek	280/47.26
3,751,058	8/1973	Larsen	280/47.26
5,123,187	6/1992	Zamarta	280/47.26

Primary Examiner—Kay H. Chin
Attorney, Agent, or Firm—Faegre & Benson

[57] **CLAIM**

The ornamental design for a paint hopper assembly, as shown.

DESCRIPTION

FIG. 1 is a perspective view of a paint hopper assembly showing my new design;
FIG. 2 is a left side elevational view thereof;
FIG. 3 is a right side elevational view thereof;
FIG. 4 is a top plan view thereof;
FIG. 5 is a rear elevational view thereof;
FIG. 6 is a bottom plan view thereof; and,
FIG. 7 is a front elevational view thereof.

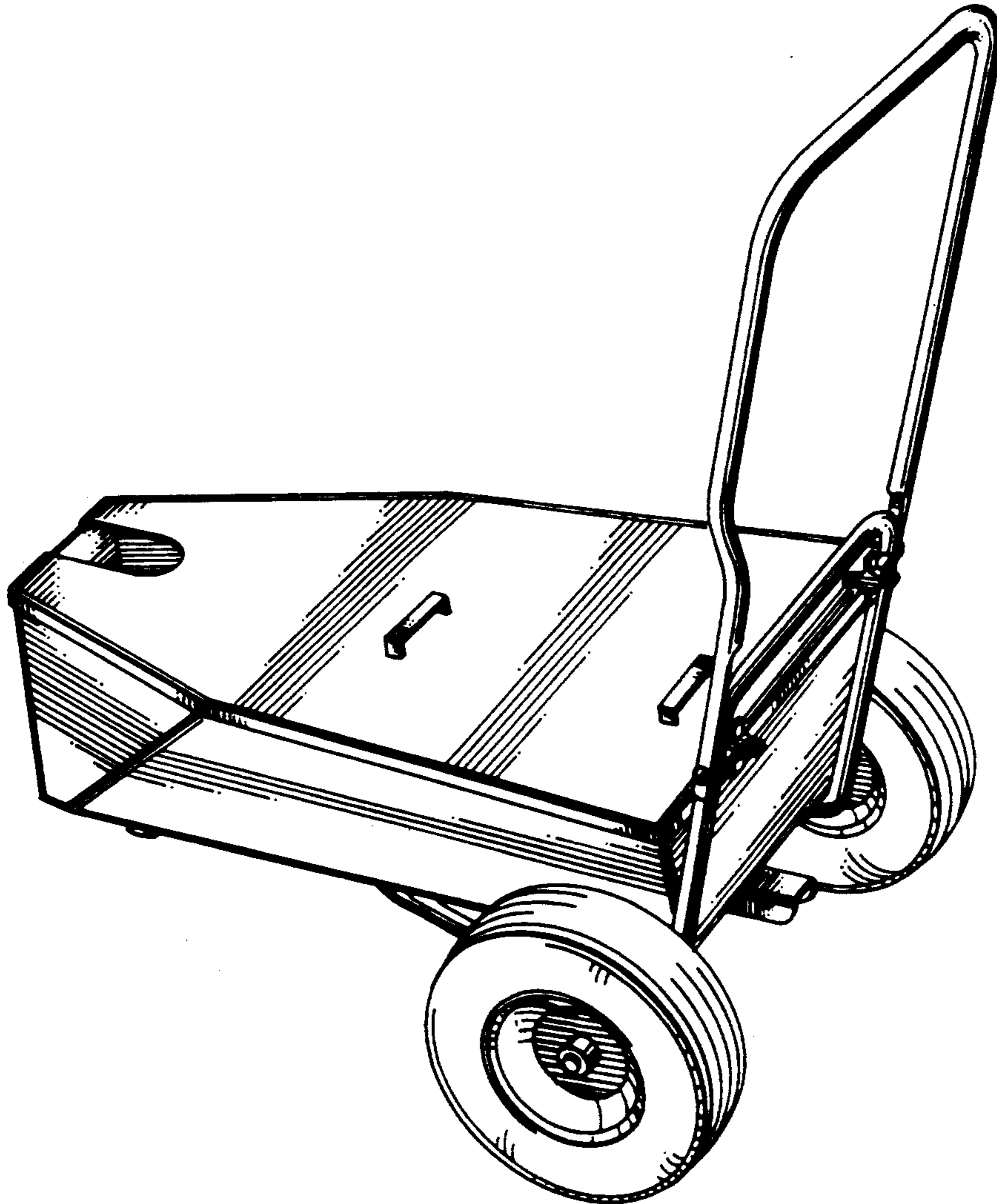


Fig. 1

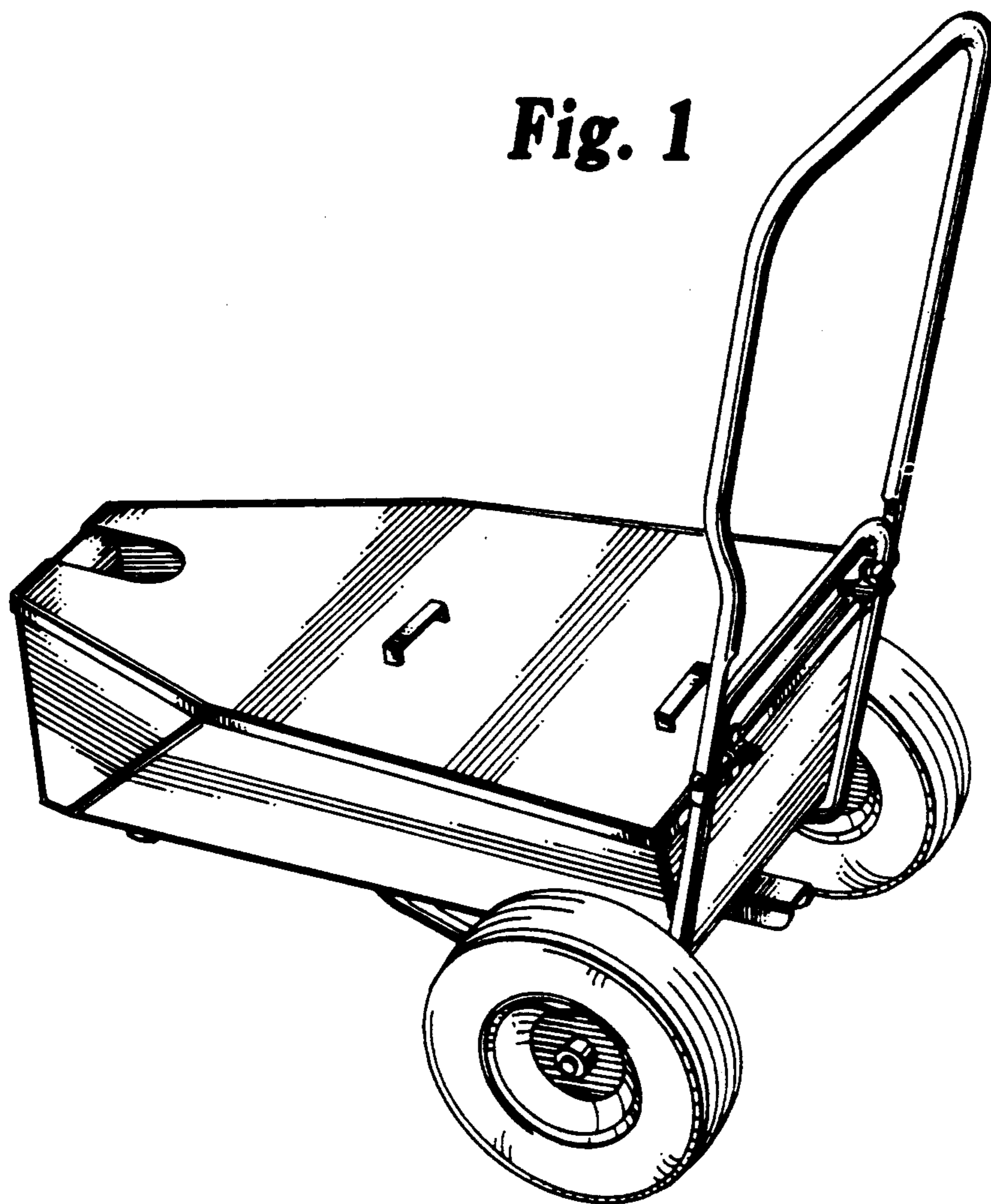


Fig. 2

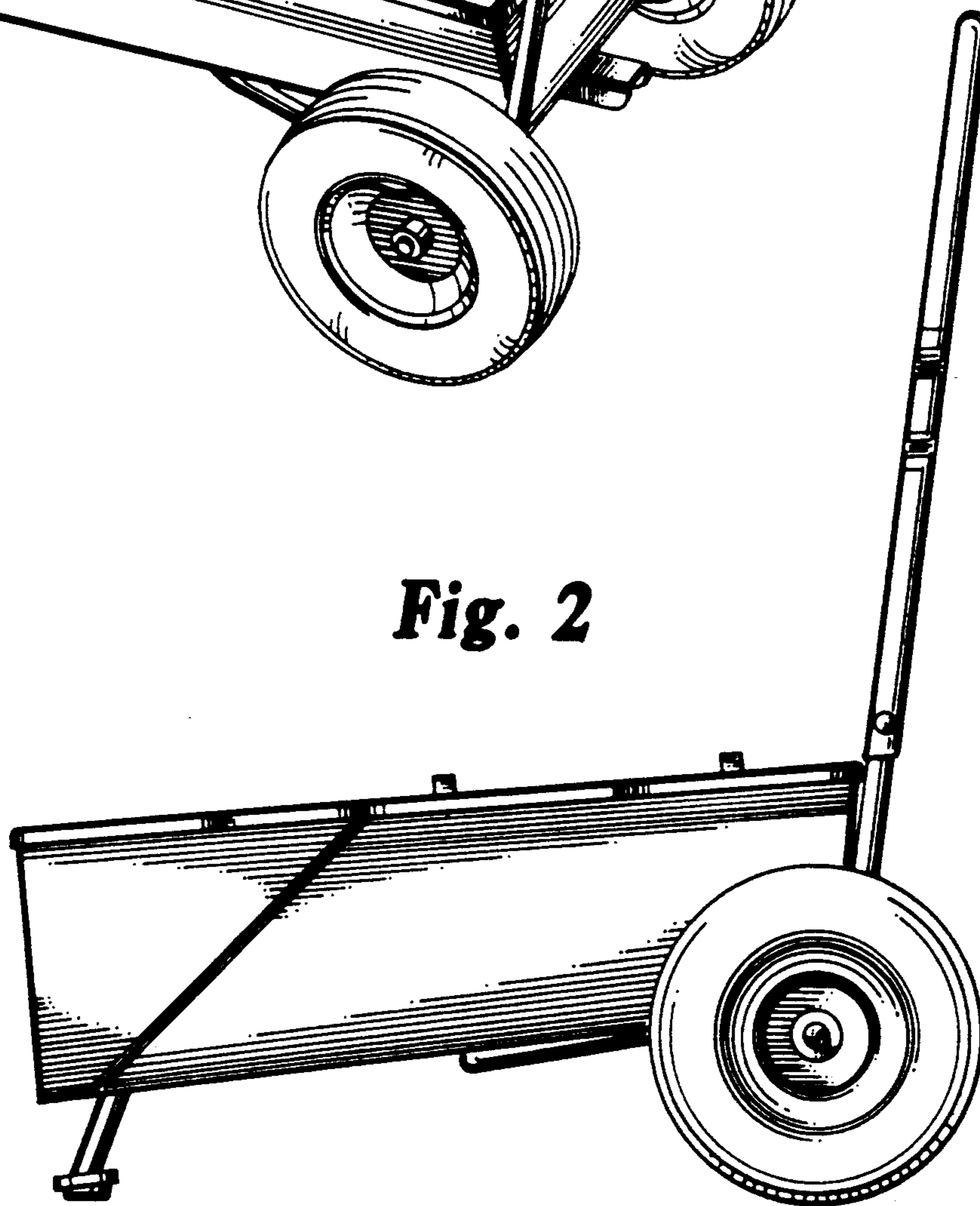


Fig. 3

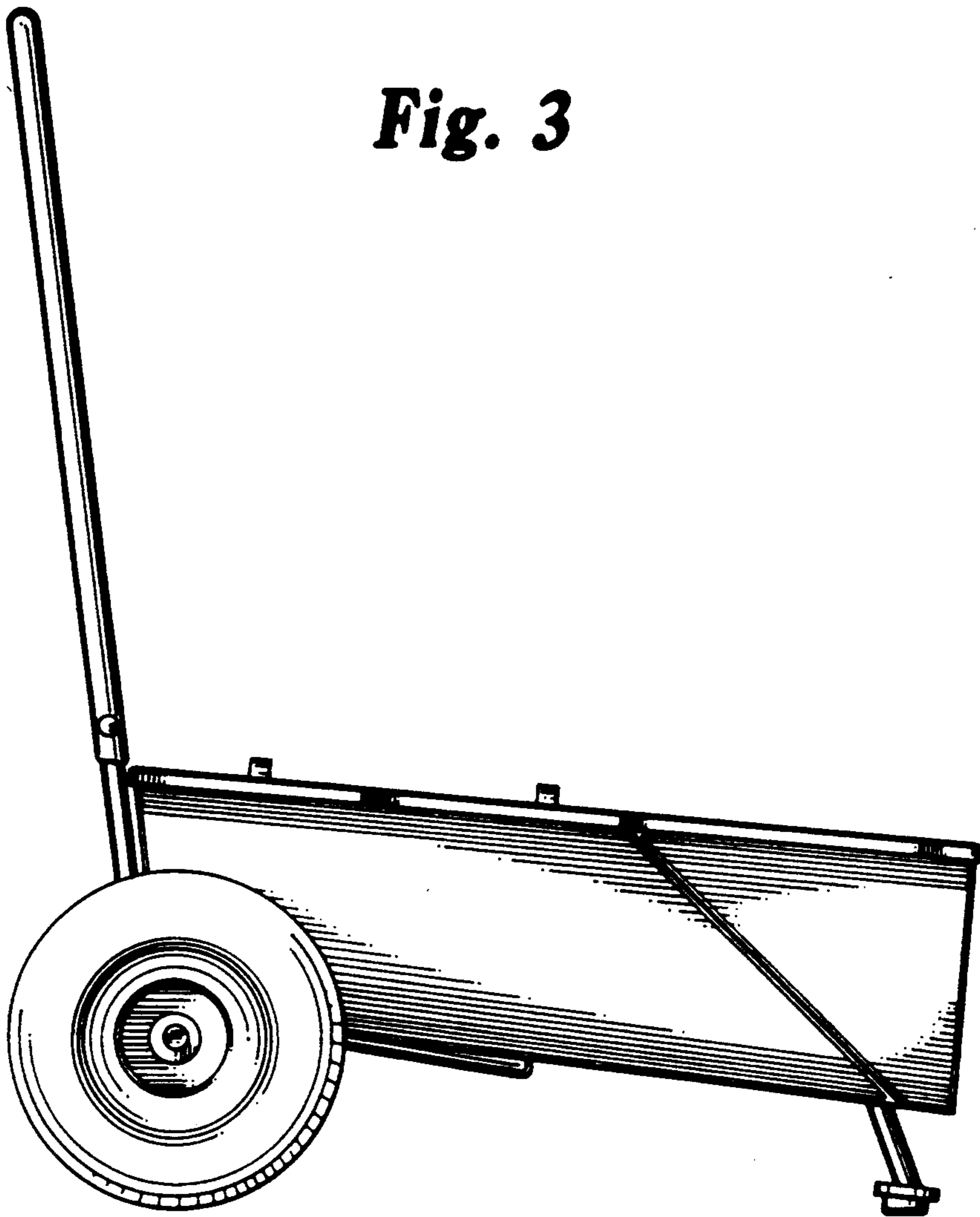


Fig. 4

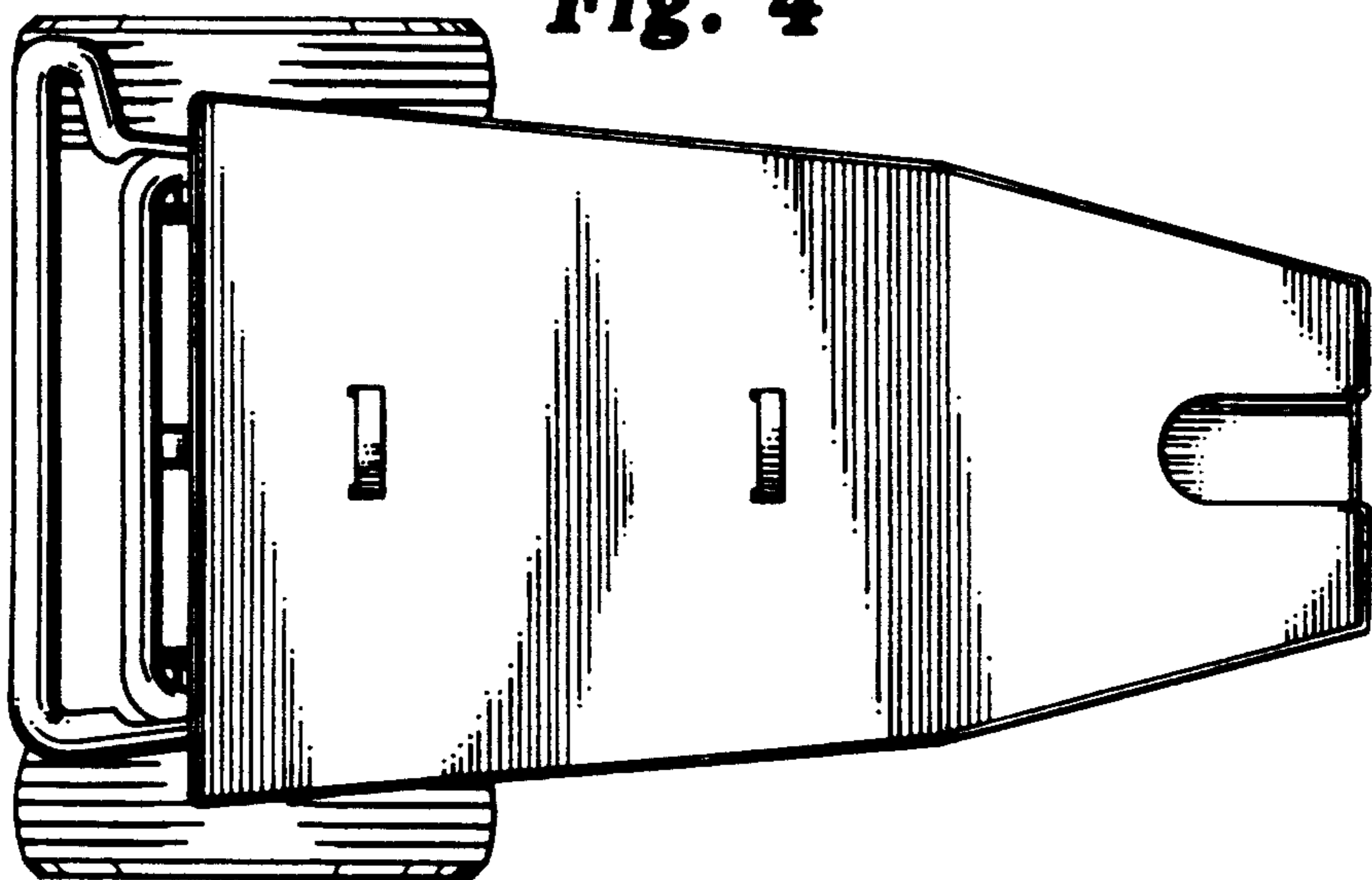


Fig. 5

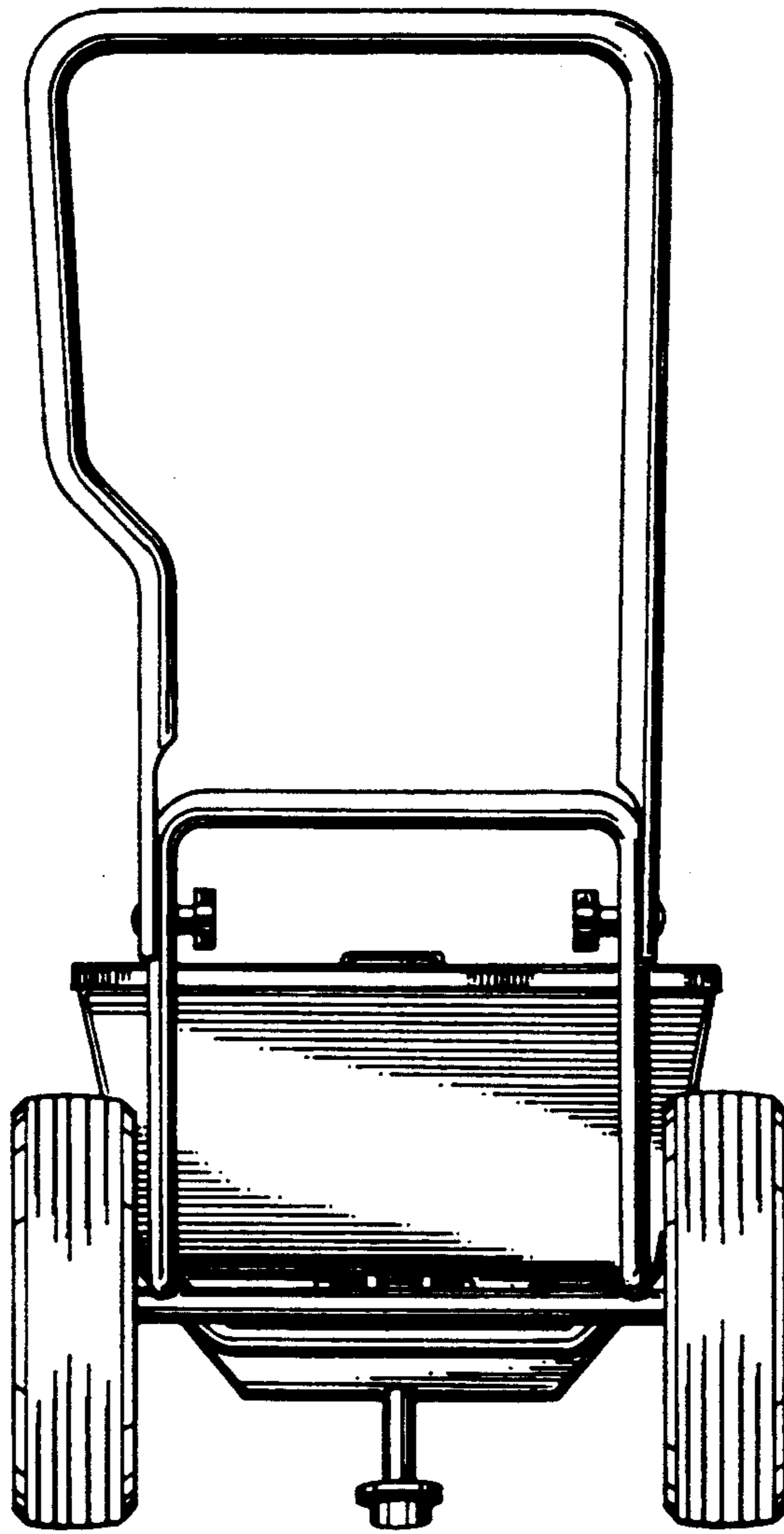


Fig. 6

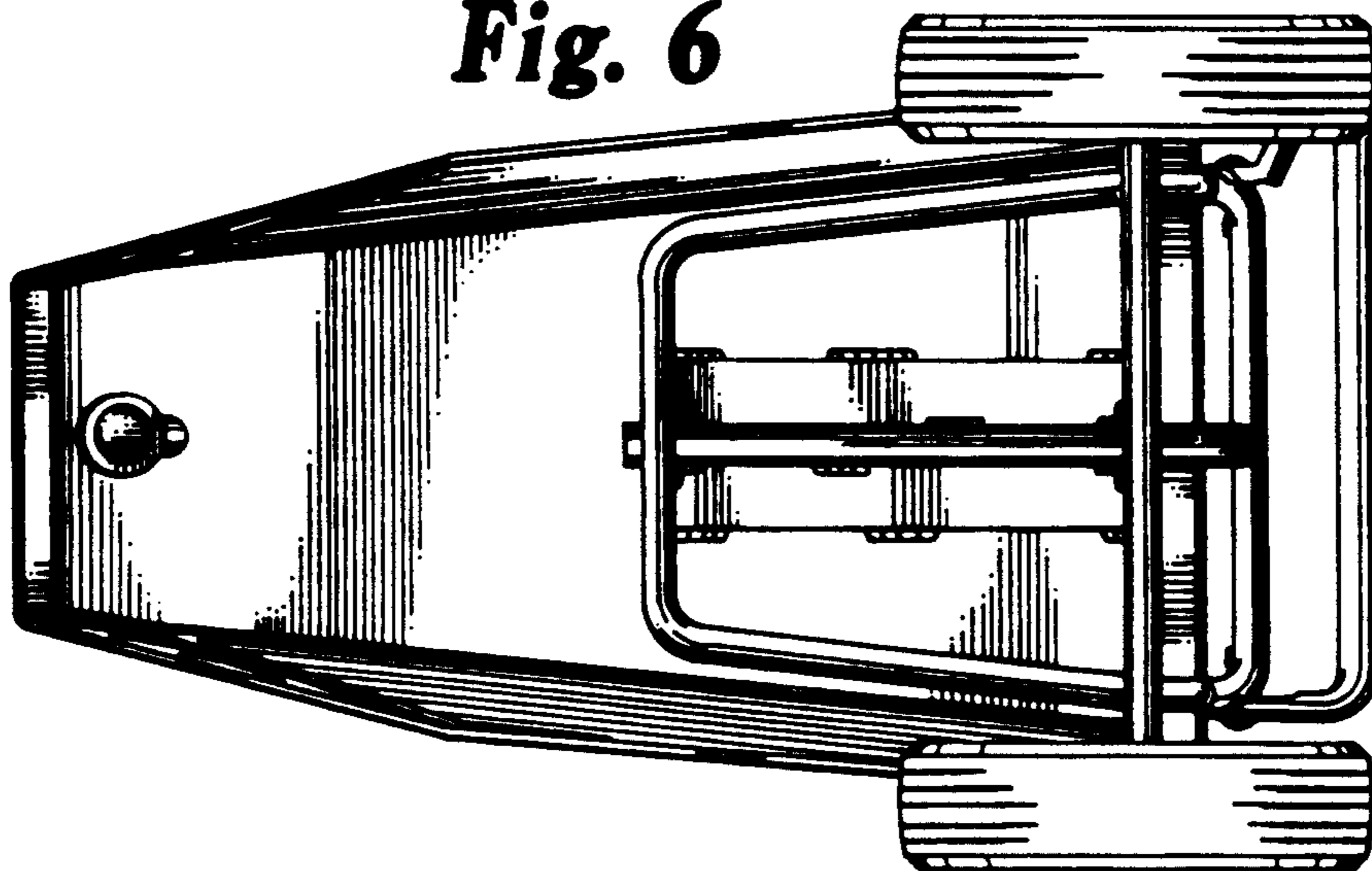


Fig. 7

