



US00D344828S

United States Patent [19]
Adams

[11] **Patent Number: Des. 344,828**

[45] **Date of Patent: ** Mar. 1, 1994**

[54] **DRAIN PAD FOR DISHES**

[76] **Inventor: Thomas D. Adams, 7721 Golfcrest Dr., San Diego, Calif. 92119**

[**] **Term: 14 Years**

[21] **Appl. No.: 740,463**

[22] **Filed: Aug. 5, 1991**

[52] **U.S. Cl. D32/56**

[58] **Field of Search D7/698; 4/637, 656; 108/16, 24; 211/126; 220/570, 571, 572; D32/55-57**

[56] **References Cited**

U.S. PATENT DOCUMENTS

D. 94,131	12/1934	Gross	D32/56
D. 151,047	9/1948	Jensen	D32/56
D. 174,298	3/1955	Timmons	D32/56

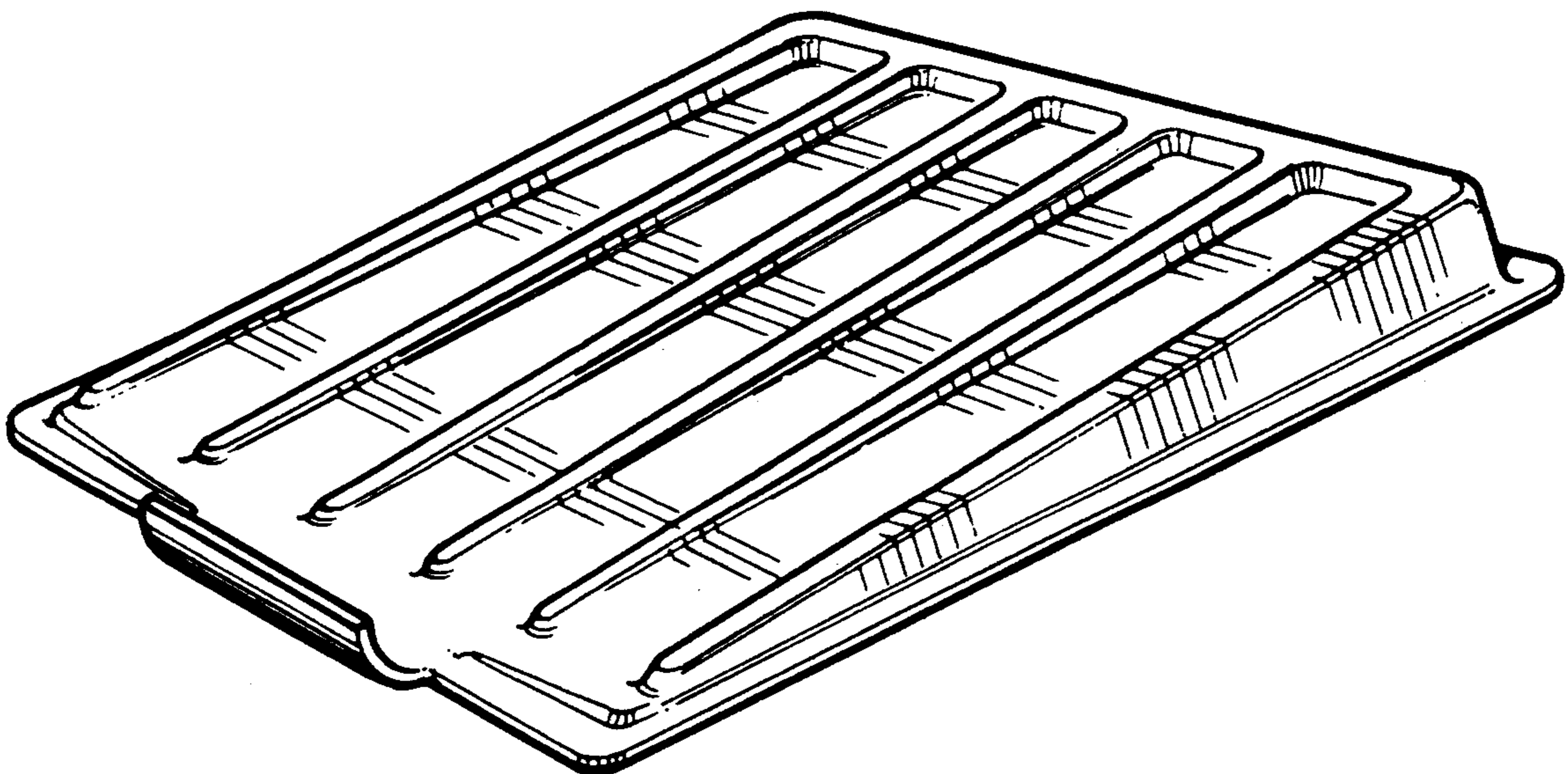
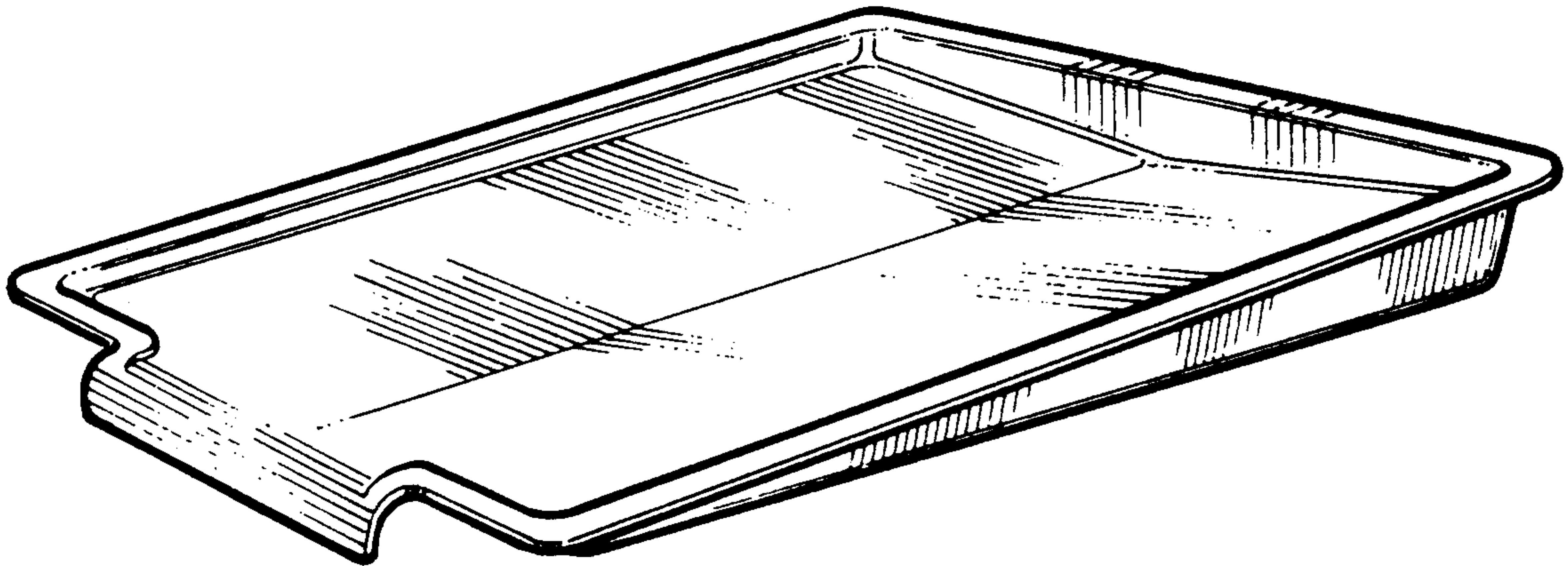
Primary Examiner—Wallace R. Burke
Assistant Examiner—Lavone D. Tabor
Attorney, Agent, or Firm—Charles C. Logan, II

[57] **CLAIM**

The ornamental design for a drain pad for dishes, as shown and described.

DESCRIPTION

FIG. 1 is a front perspective view of the drain pad for dishes;
FIG. 2 is a reduced right side elevation view thereof and it is the mirror image of a left side elevation view;
FIG. 3 is a rear elevational view thereof;
FIG. 4 is a front elevational view thereof;
FIG. 5 is a top plan view thereof;
FIG. 6 is a bottom plan view thereof; and,
FIG. 7 is an enlarged bottom perspective view thereof.



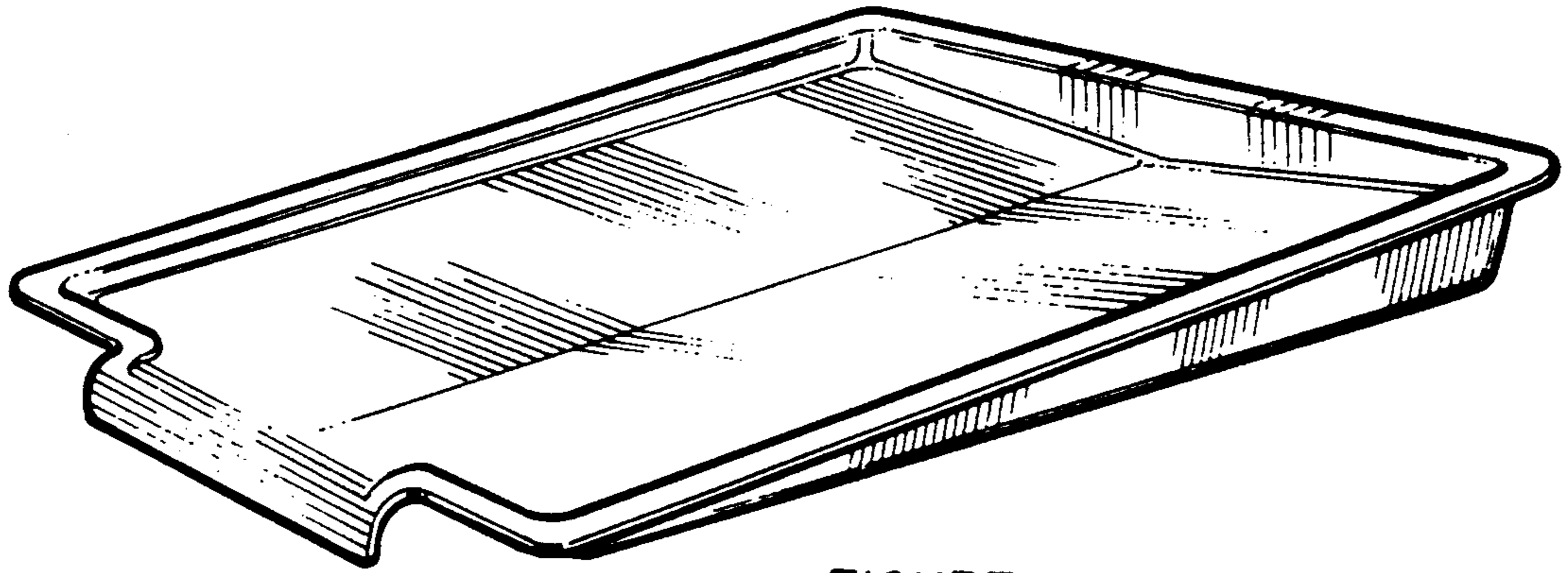


FIGURE 1



FIGURE 2



FIGURE 3

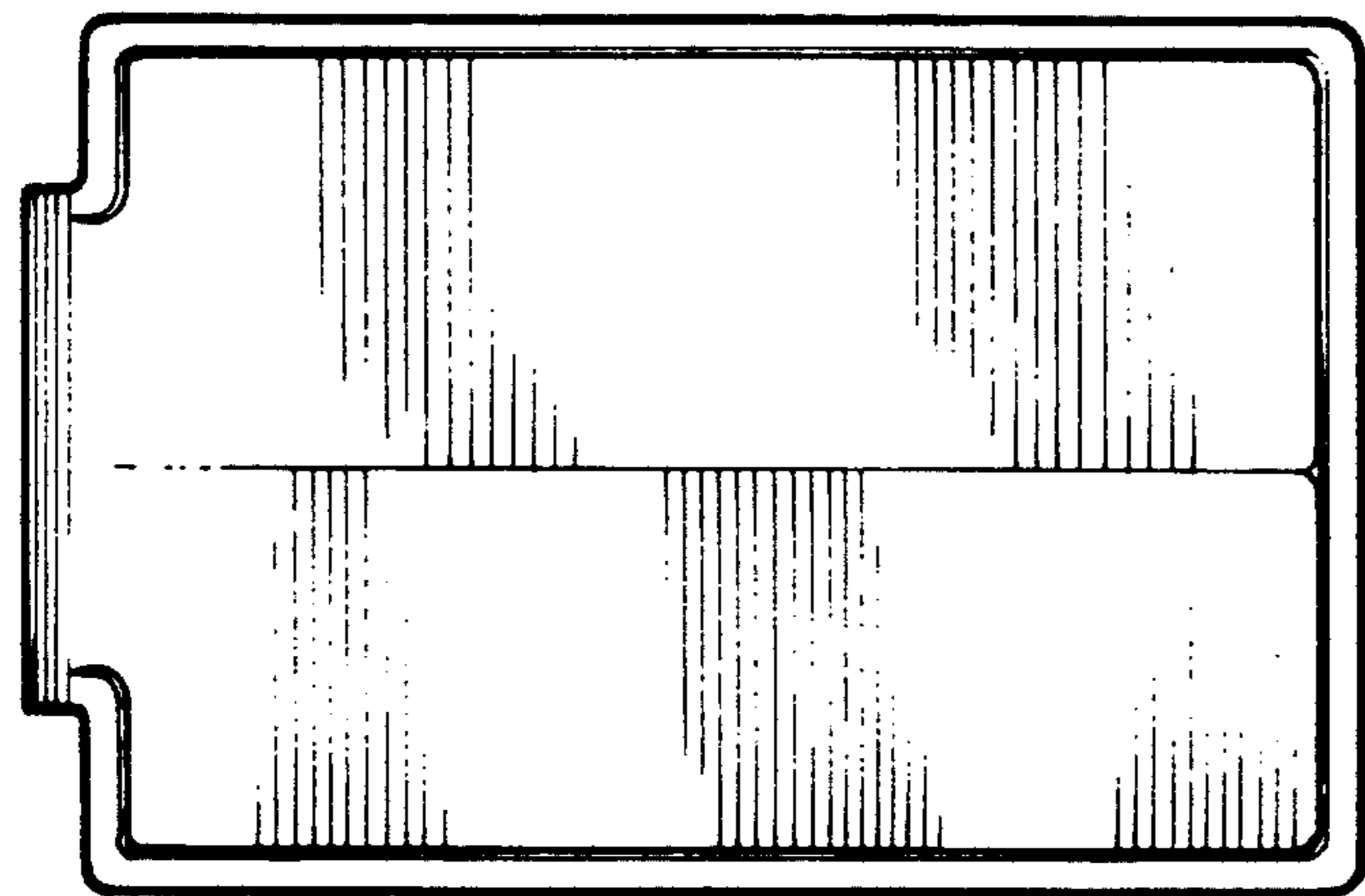


FIGURE 5



FIGURE 4

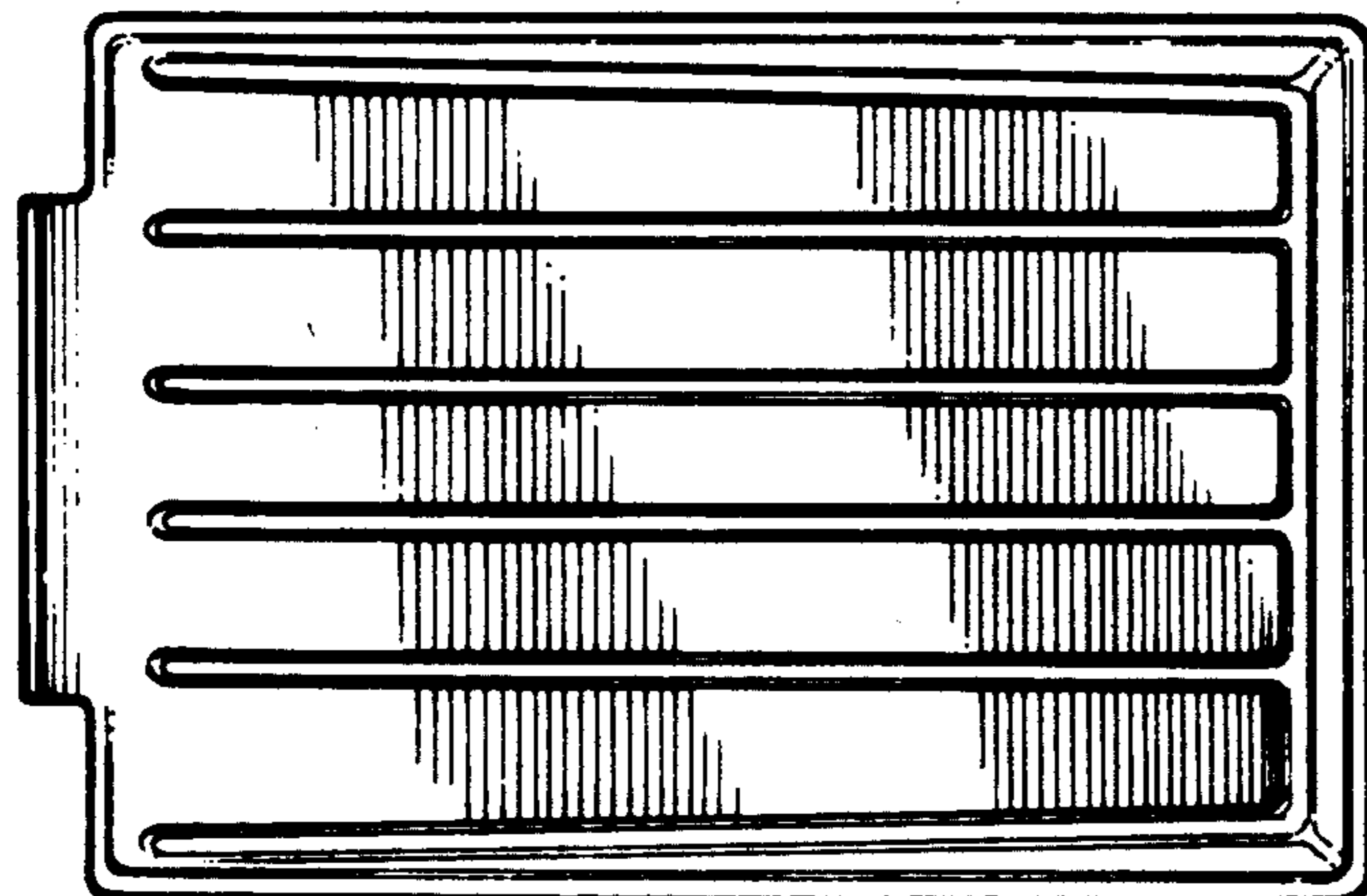


FIGURE 6

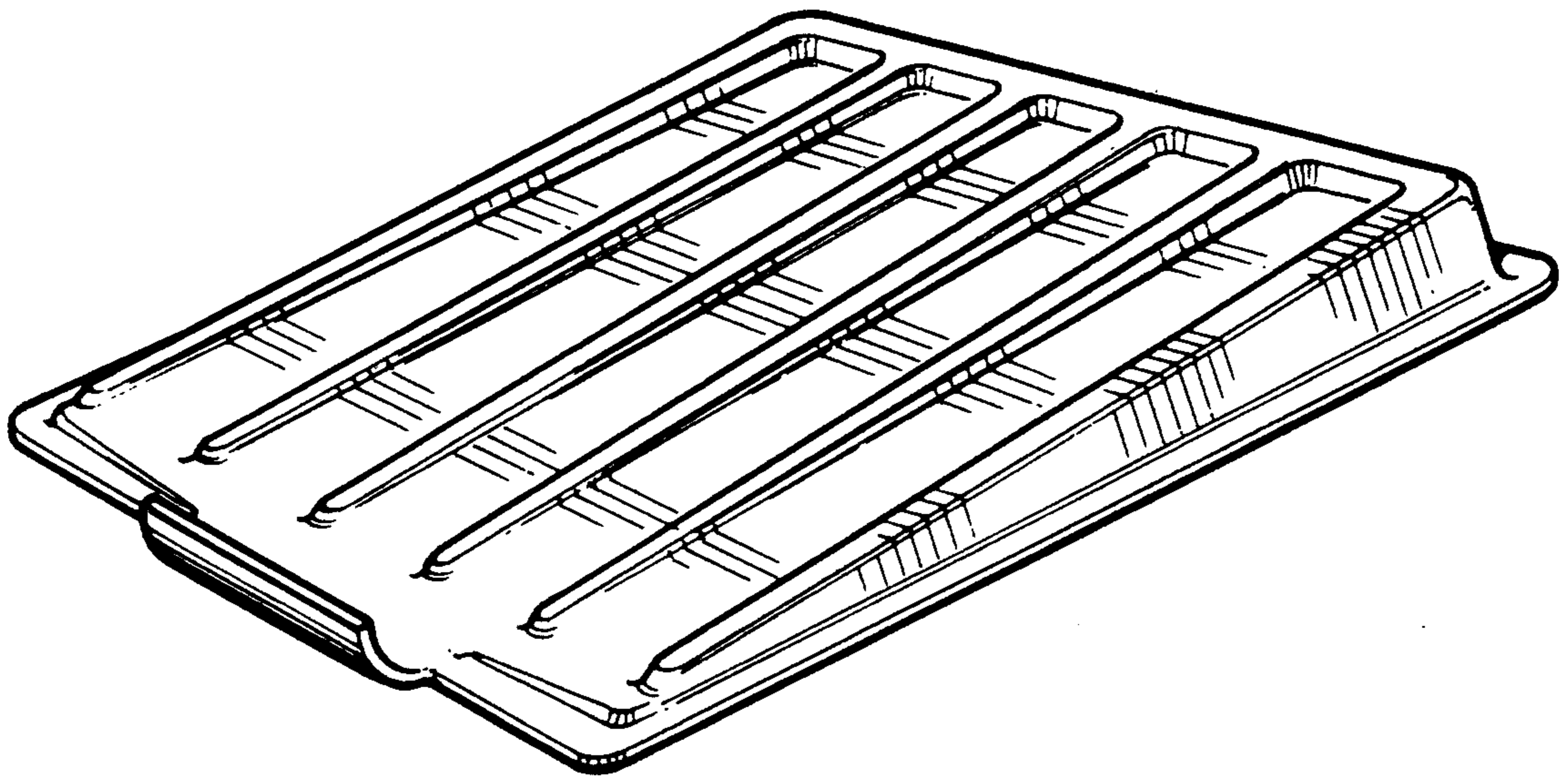


FIGURE 7