



US00D344819S

United States Patent [19]

Schober

[11] Patent Number: **Des. 344,819**

[45] Date of Patent: **** Mar. 1, 1994**

[54] **DISHWASHER TUB BOTTOM WALL**

[75] Inventor: **Stephen D. Schober**, Newton, Iowa

[73] Assignee: **Maytag Corporation**, Newton, Iowa

[**] Term: **14 Years**

[21] Appl. No.: **874,769**

[22] Filed: **Apr. 27, 1992**

[52] U.S. Cl. **D32/3**

[58] Field of Search **134/57 D, 56 D, 58 D, 134/102.1, 104.1, 135, 166 R, 169 R, 172, 184, 198; D32/2-3, 25, 29**

[56] **References Cited**

U.S. PATENT DOCUMENTS

D. 213,637	3/1969	Ross	D32/2
D. 271,532	11/1983	Lee	D32/2
D. 275,332	8/1984	Boyer	D32/2
3,837,917	9/1974	Jenkins et al.	134/56 D
4,068,114	1/1978	Johnson et al.	134/58 D
4,279,384	7/1981	Yamamoto	134/58 D
4,727,896	3/1988	Kanazawa et al.	134/102.1

Primary Examiner—Ruth McInroy

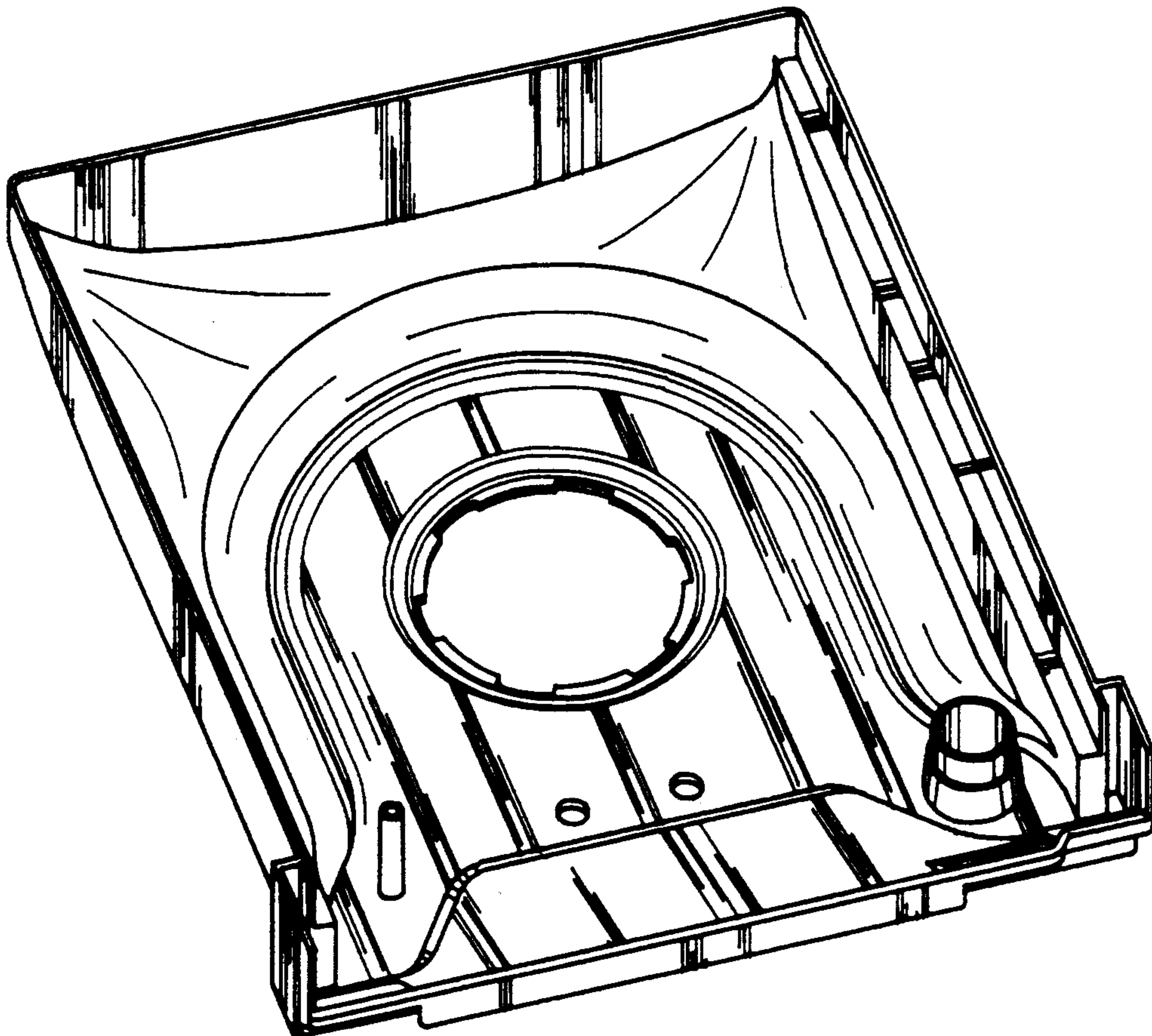
Attorney, Agent, or Firm—Zarley, McKee, Thomte, Voorhees & Sease

[57] **CLAIM**

The ornamental design for a dishwasher tub bottom wall, as shown and described.

DESCRIPTION

FIG. 1 is a top perspective view of a dishwasher tub bottom wall showing my new design;
 FIG. 2 is a top plan view thereof;
 FIG. 3 is a front elevational view thereof;
 FIG. 4 is a left-side elevational view thereof;
 FIG. 5 is a rear elevational view thereof;
 FIG. 6 is a bottom plan view thereof;
 FIG. 7 is a sectional view taken along line 7—7 in FIG. 2;
 FIG. 8 is a sectional view taken along line 8—8 in FIG. 2;
 FIG. 9 is a sectional view taken along line 9—9 in FIG. 2;
 FIG. 10 is a sectional view taken along line 10—10 in FIG. 2; and,
 FIG. 11 is a sectional view taken along line 11—11 in FIG. 2.



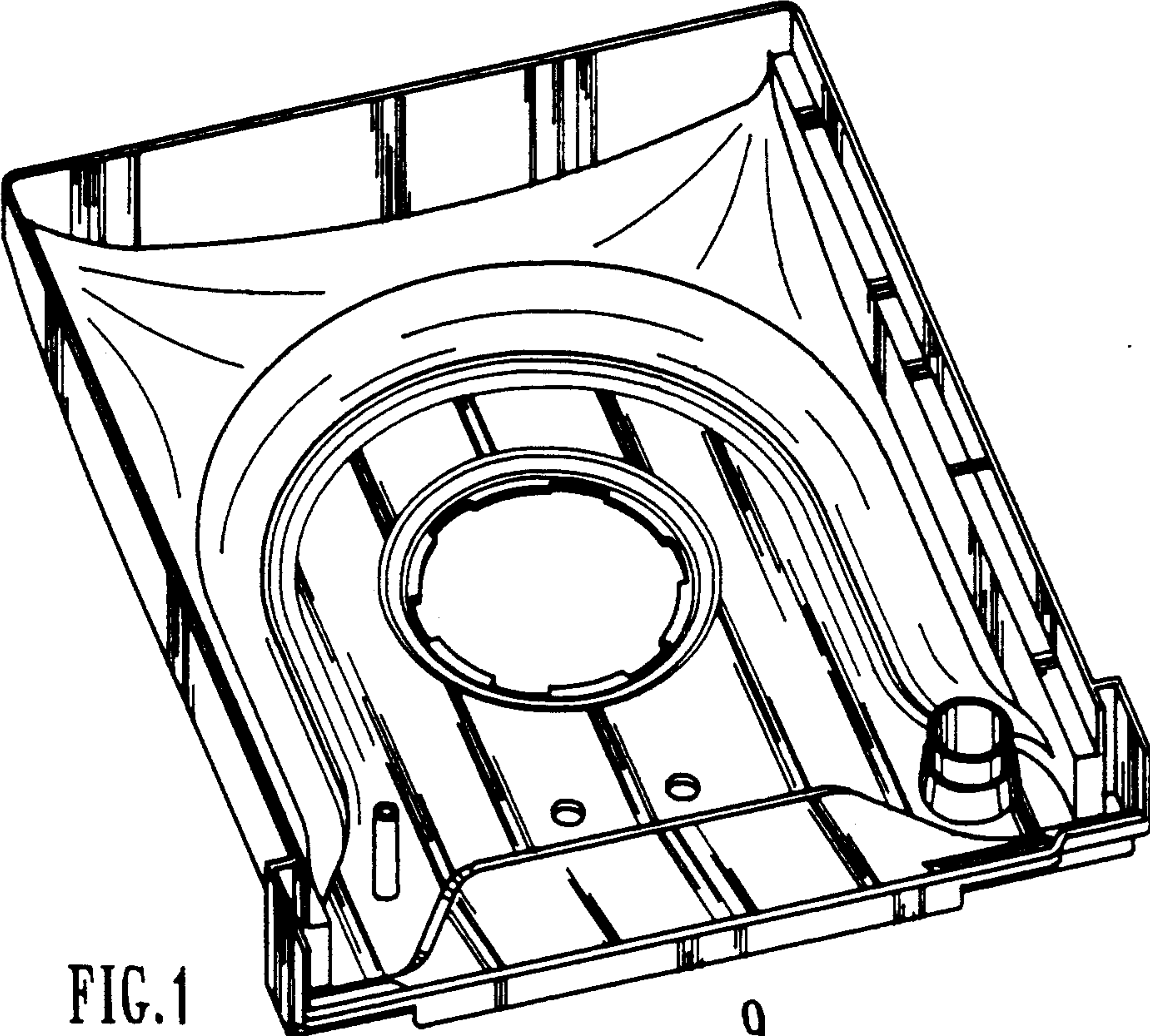


FIG. 1

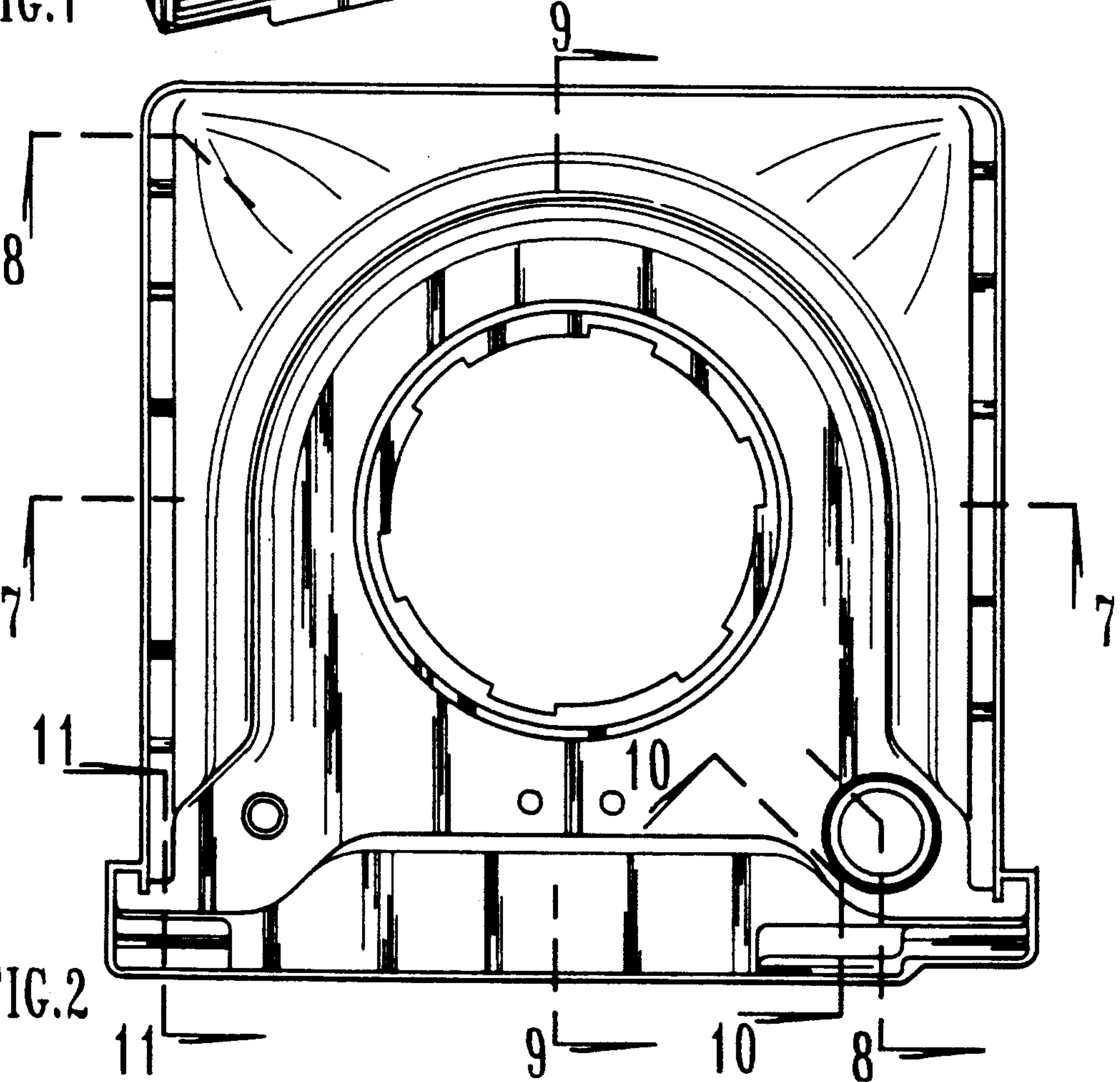
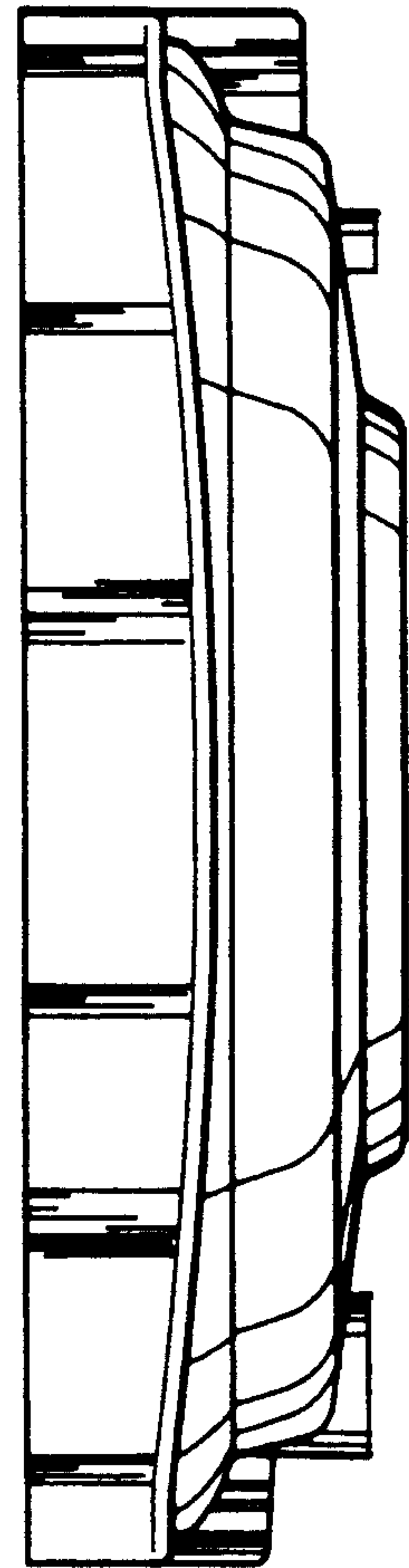
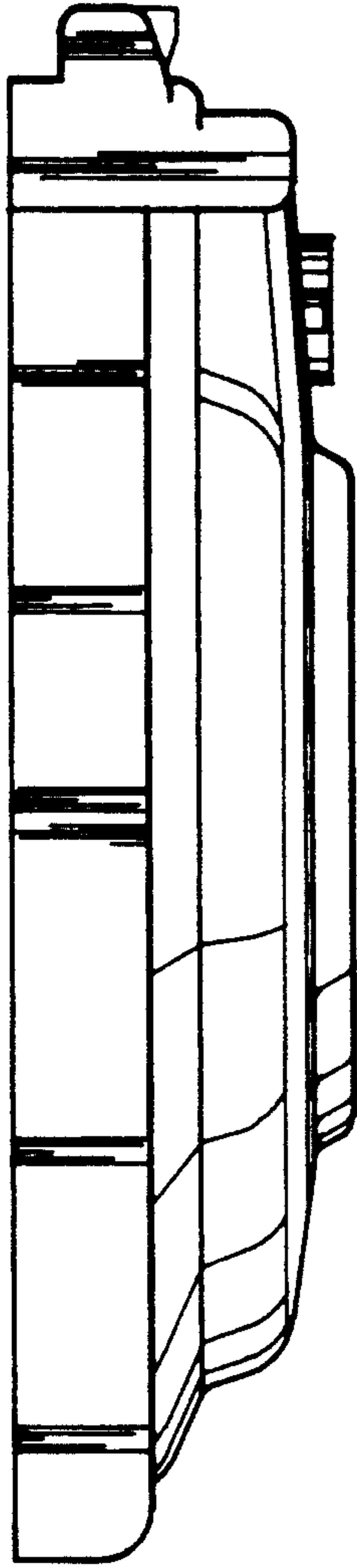
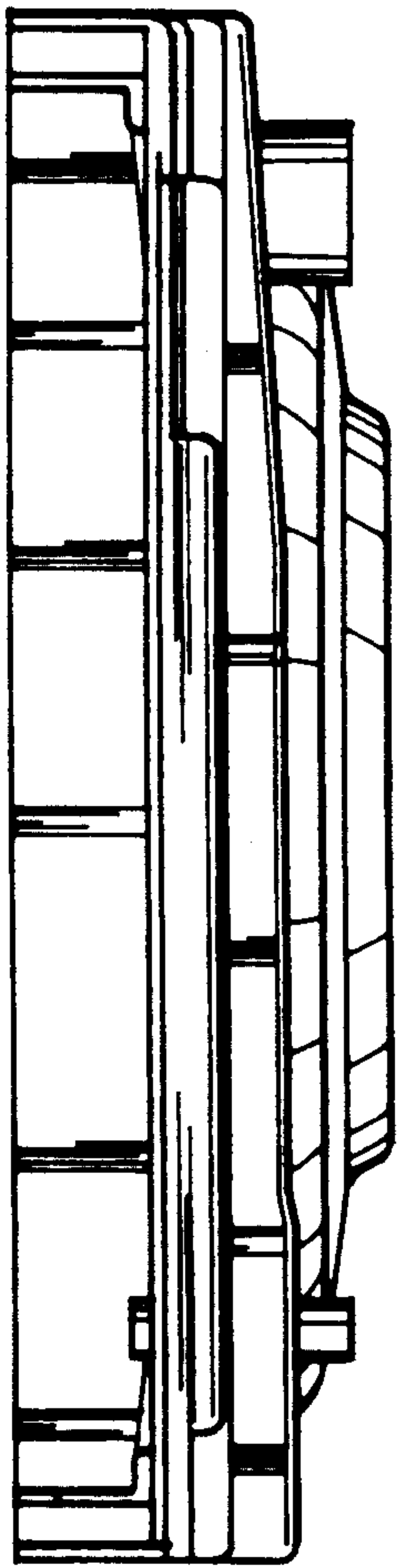


FIG. 2



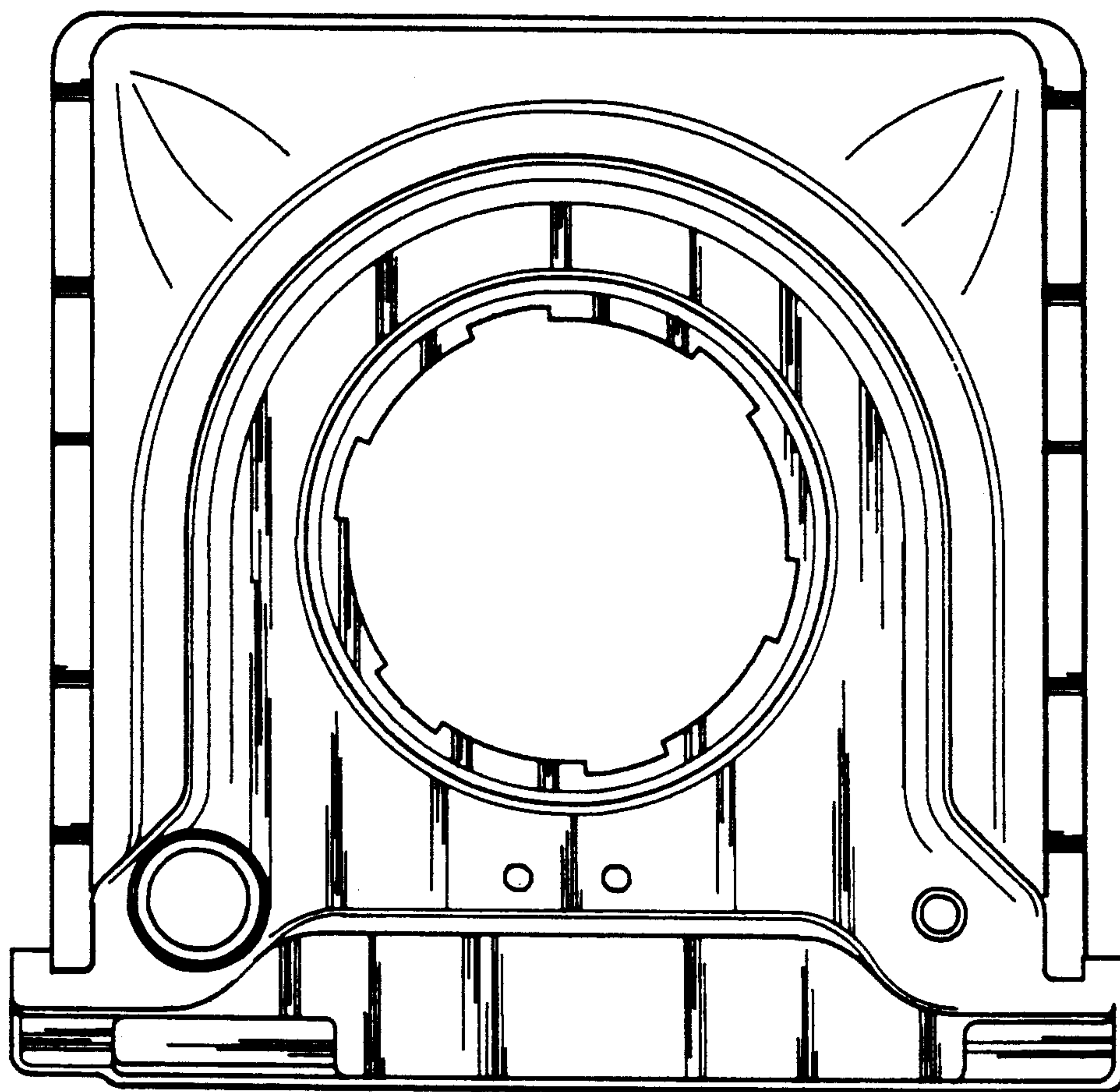


FIG. 6

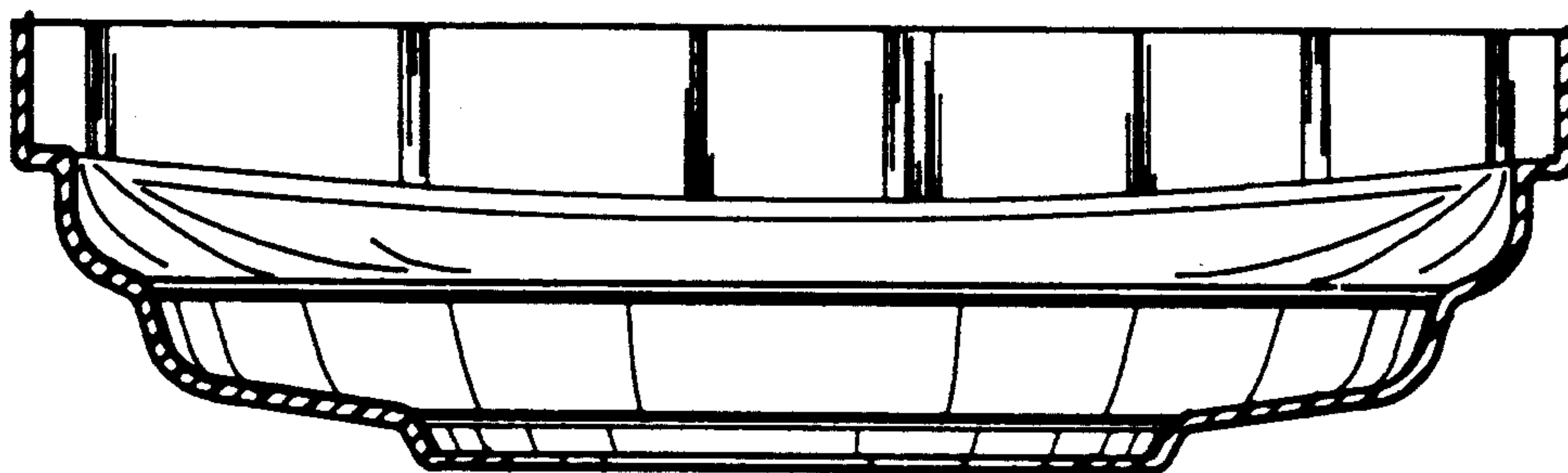
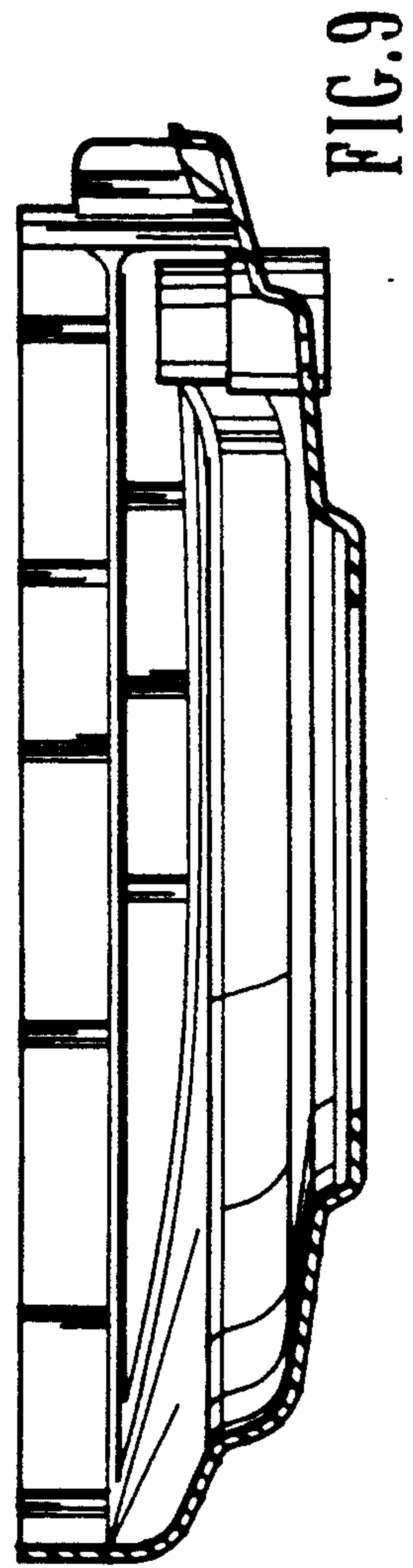
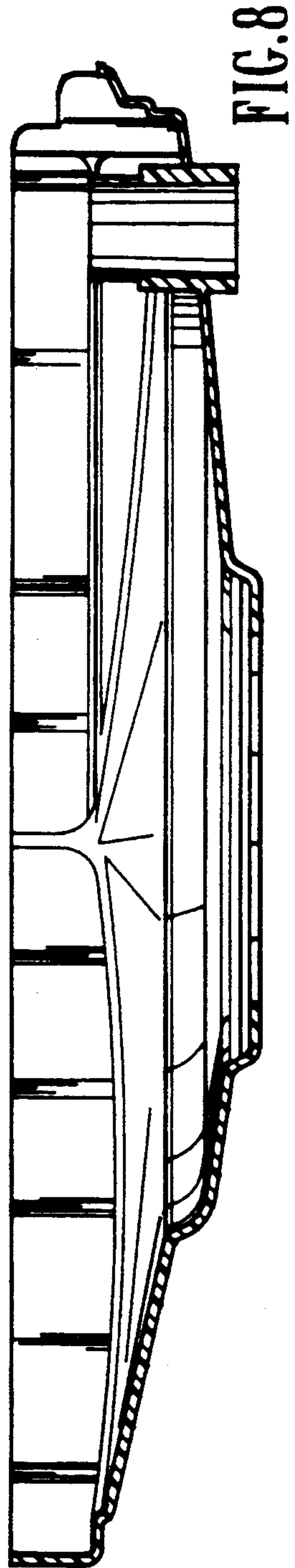


FIG. 7



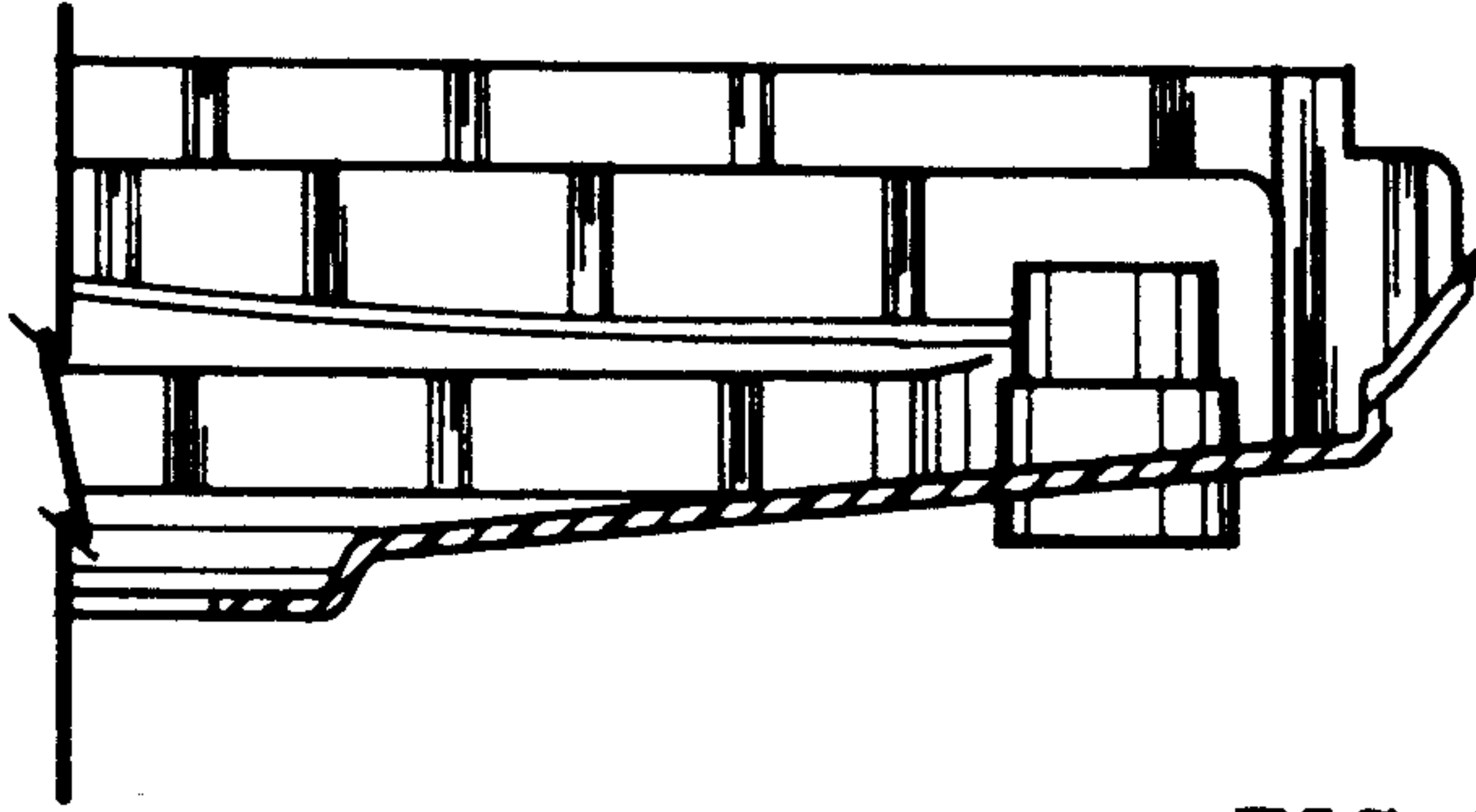


FIG. 10

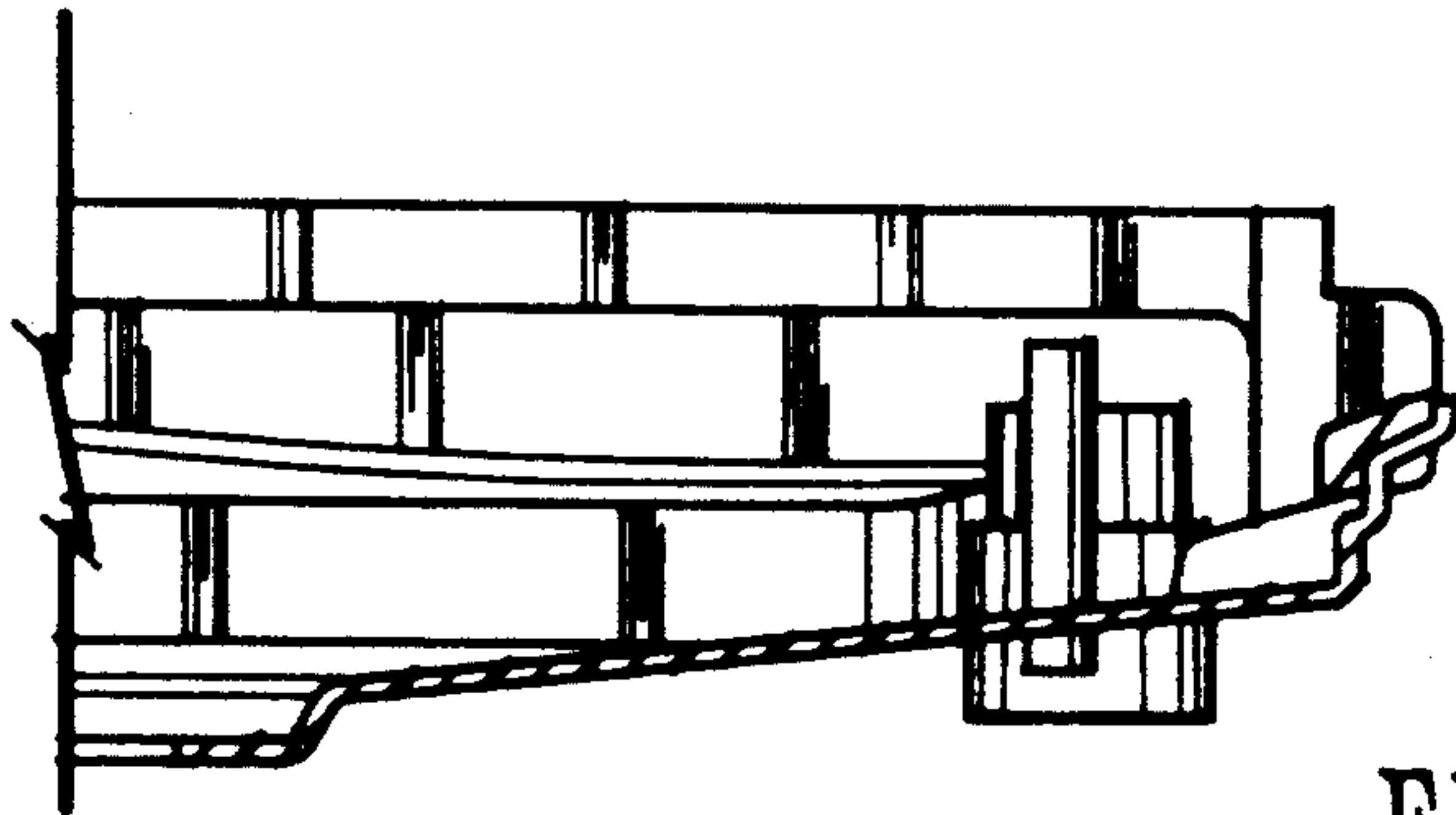


FIG. 11