



US00D344817S

United States Patent [19] Chen

[11] Patent Number: **Des. 344,817**

[45] Date of Patent: **** Mar. 1, 1994**

[54] COSMETIC CASE

[76] Inventor: **Tien-Tsai Chen**, No. 69, Sec. 1,
Chung Hua W. Rd., Tainan City,
Taiwan

[**] Term: **14 Years**

[21] Appl. No.: **804,170**

[22] Filed: **Dec. 9, 1991**

[52] U.S. Cl. **D28/82**

[58] Field of Search **D9/347, 420, 423;**
206/235, 581, 823; 132/293-297; D28/76-83

[56] References Cited

U.S. PATENT DOCUMENTS

D. 142,315	8/1945	Beveridge	D28/78
D. 305,281	1/1990	Chen	D28/76 X
D. 310,736	9/1990	Bakic	D28/82
D. 313,288	12/1990	Bakic	D28/77
D. 321,415	11/1991	Chen	D28/76 X
D. 322,865	12/1991	Favre	D9/347 X
3,441,033	4/1969	Flax	132/295

OTHER PUBLICATIONS

Drug and Cosmetic Industry; Apr. 1986; p. 66; Compact right center of page.

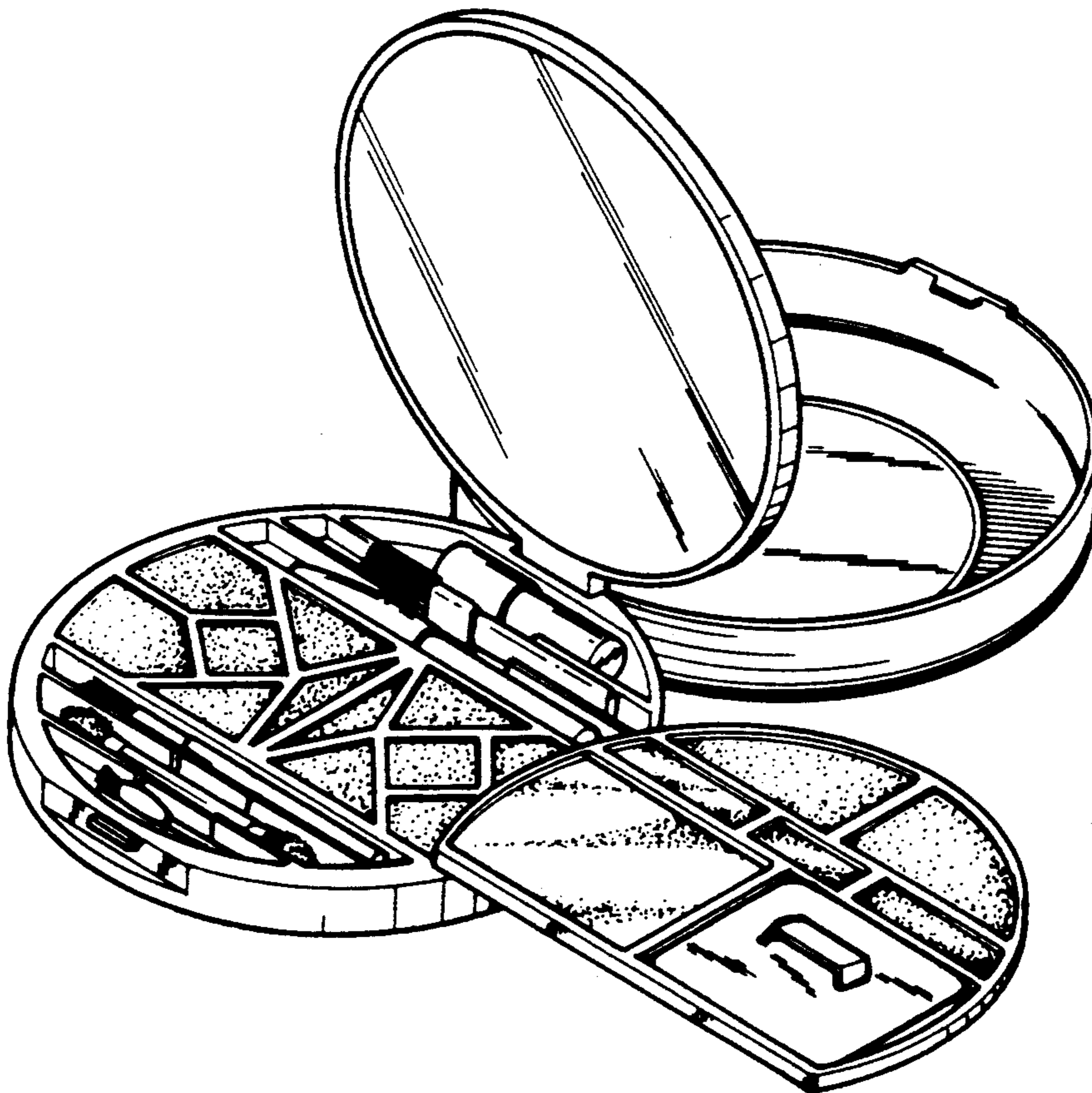
Primary Examiner—Theodore M. Shooman
Assistant Examiner—Mitchell Siegel
Attorney, Agent, or Firm—Yuso Int'l Patent and Trademark Office

[57] CLAIM

The ornamental design for a cosmetic case, as shown and described.

DESCRIPTION

FIG. 1 is a perspective view of a cosmetic case showing my new design;
FIG. 2 is a front elevational view thereof;
FIG. 3 is a rear elevational view thereof;
FIG. 4 is a right side elevational view thereof;
FIG. 5 is a bottom plan view thereof;
FIG. 6 is a top plan view thereof;
FIG. 7 is a perspective view thereof with the cap cover in an open position;
FIG. 8 is a perspective view of FIG. 7 with the mirror raised into the cap cover and the inner cover moved to the right to reveal inner cosmetic components; and,
FIG. 9 is a perspective view of FIG. 8 with the mirror in a raised position.



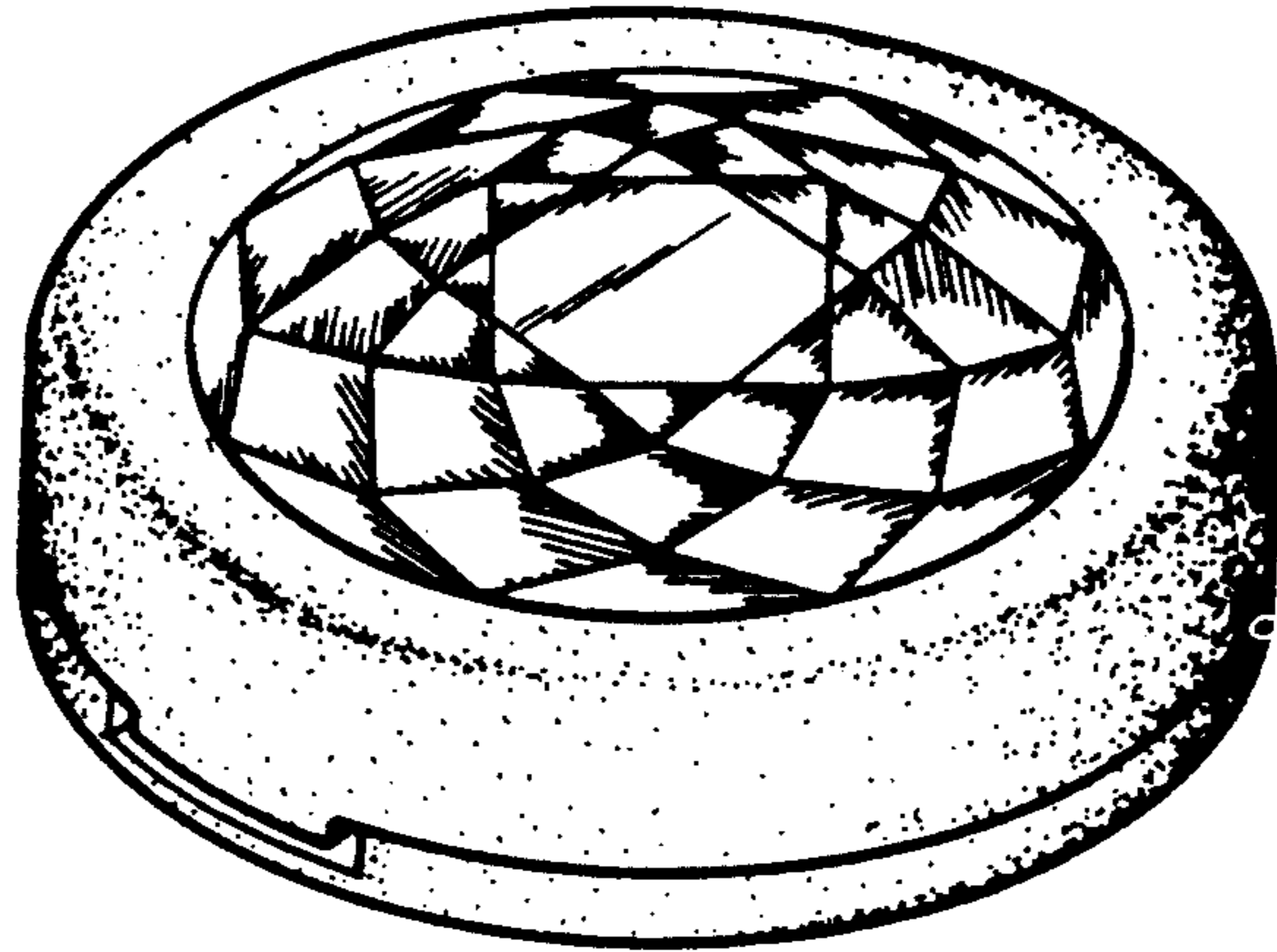


FIG. 1

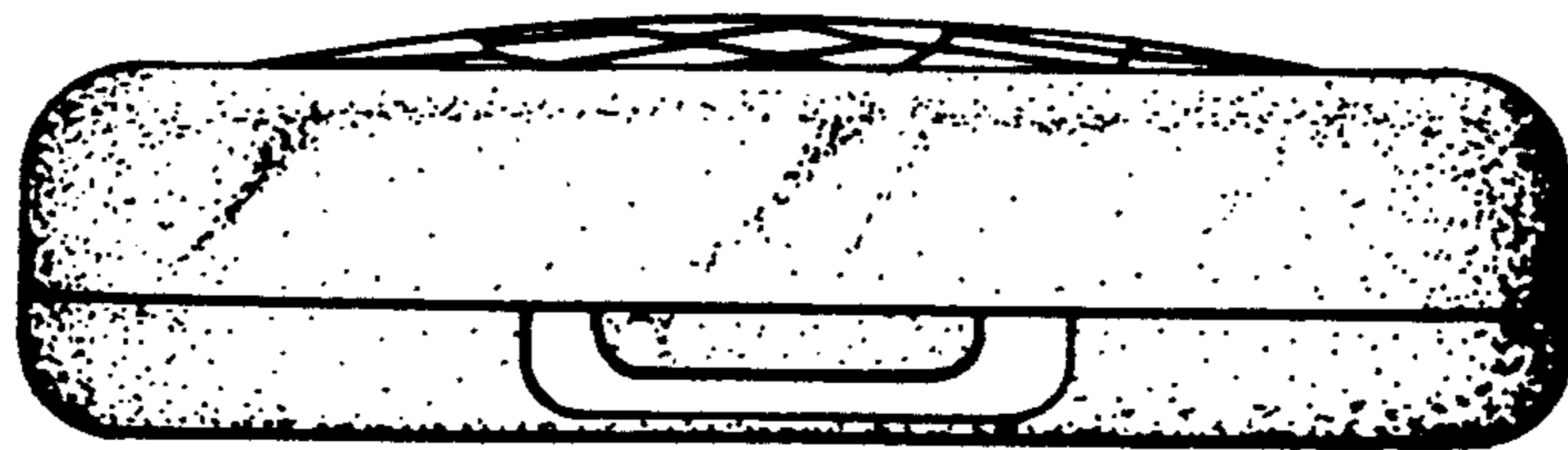


FIG. 2

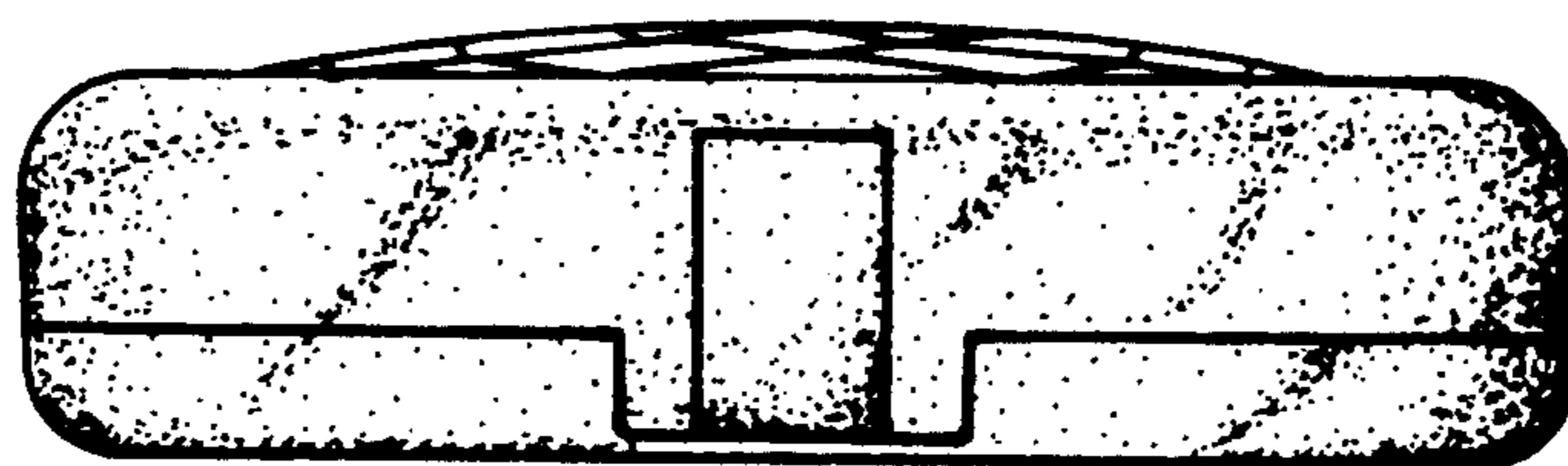


FIG. 3



FIG. 4

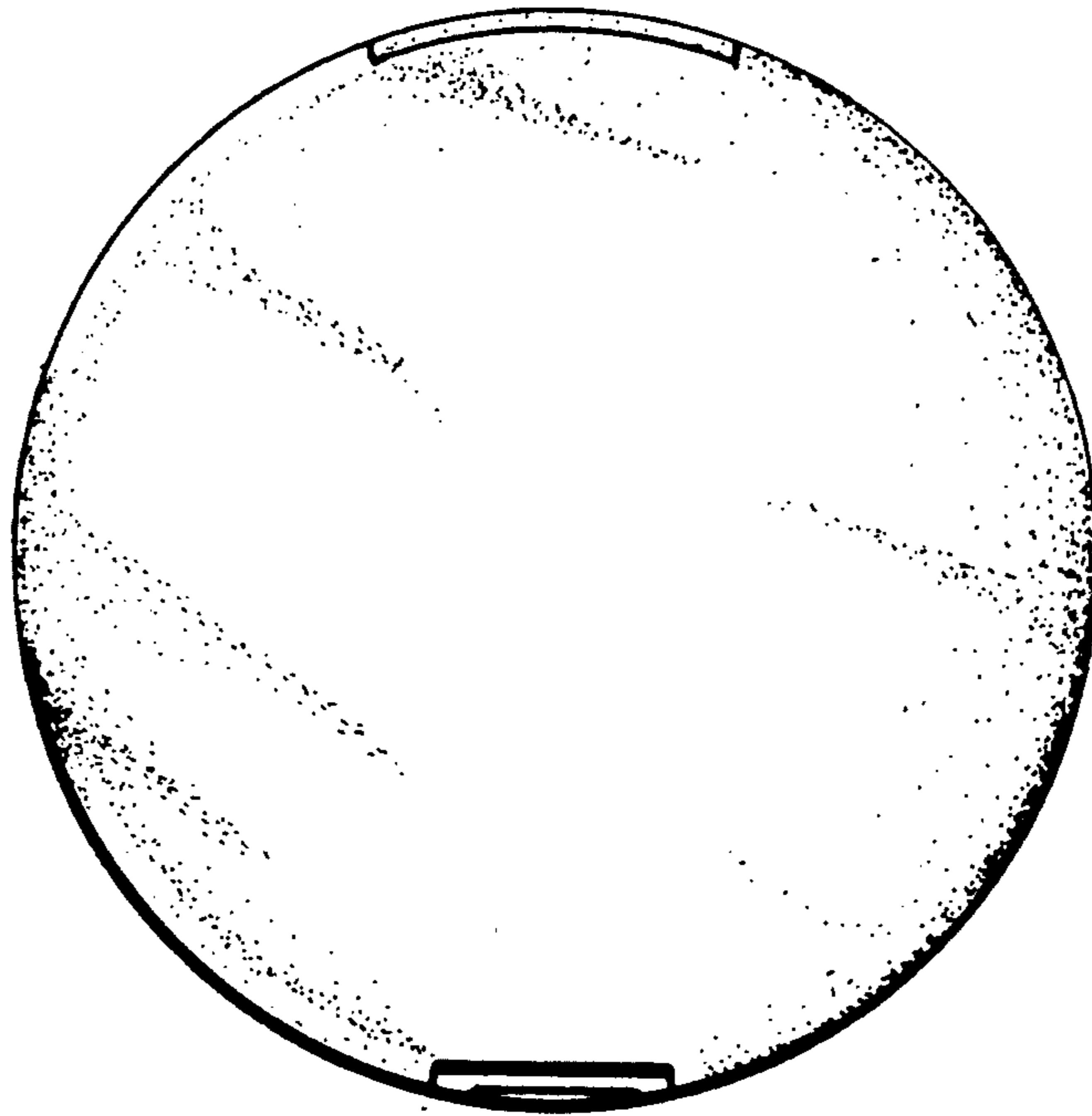


FIG. 5

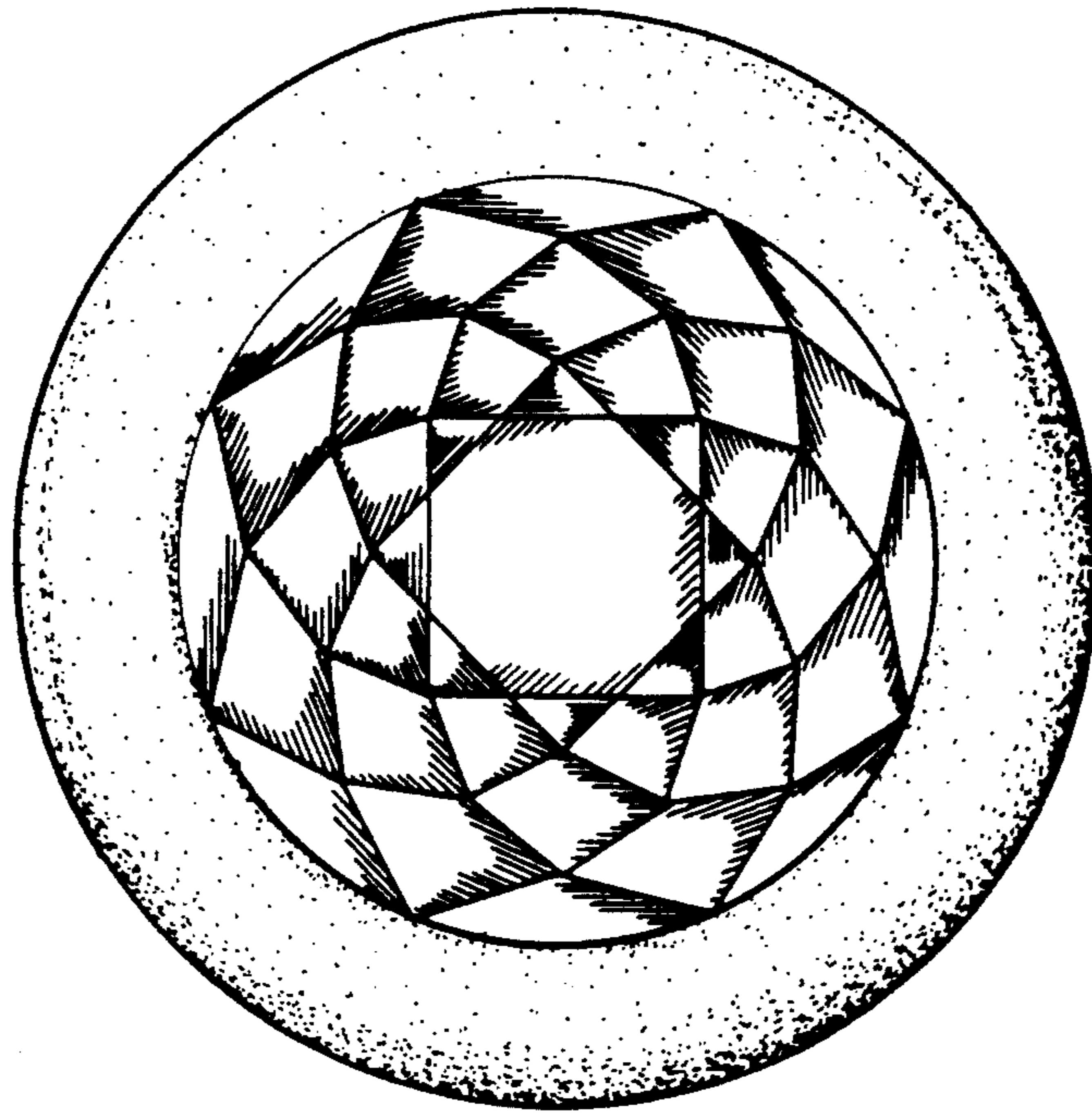


FIG. 6

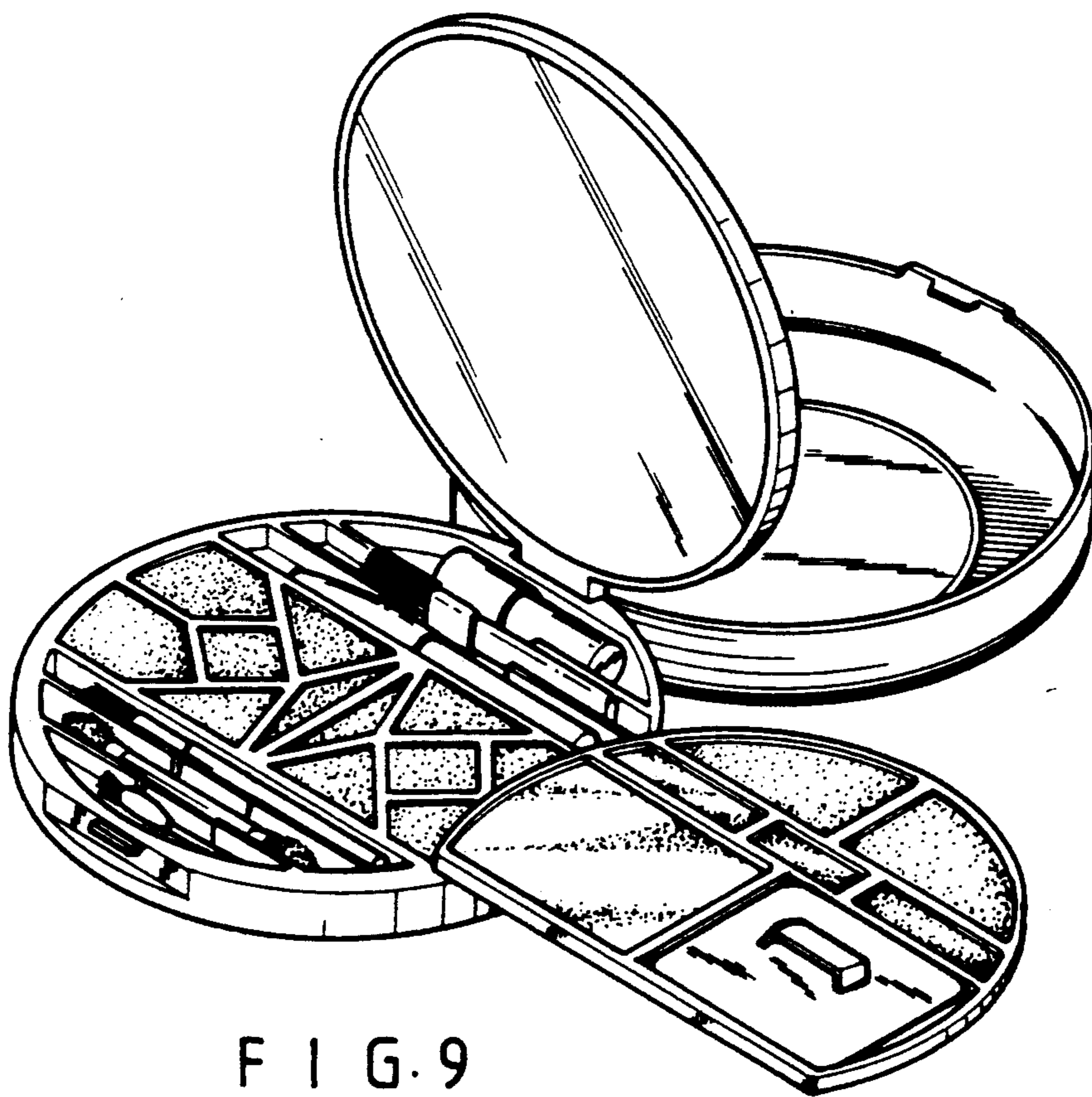


FIG. 9

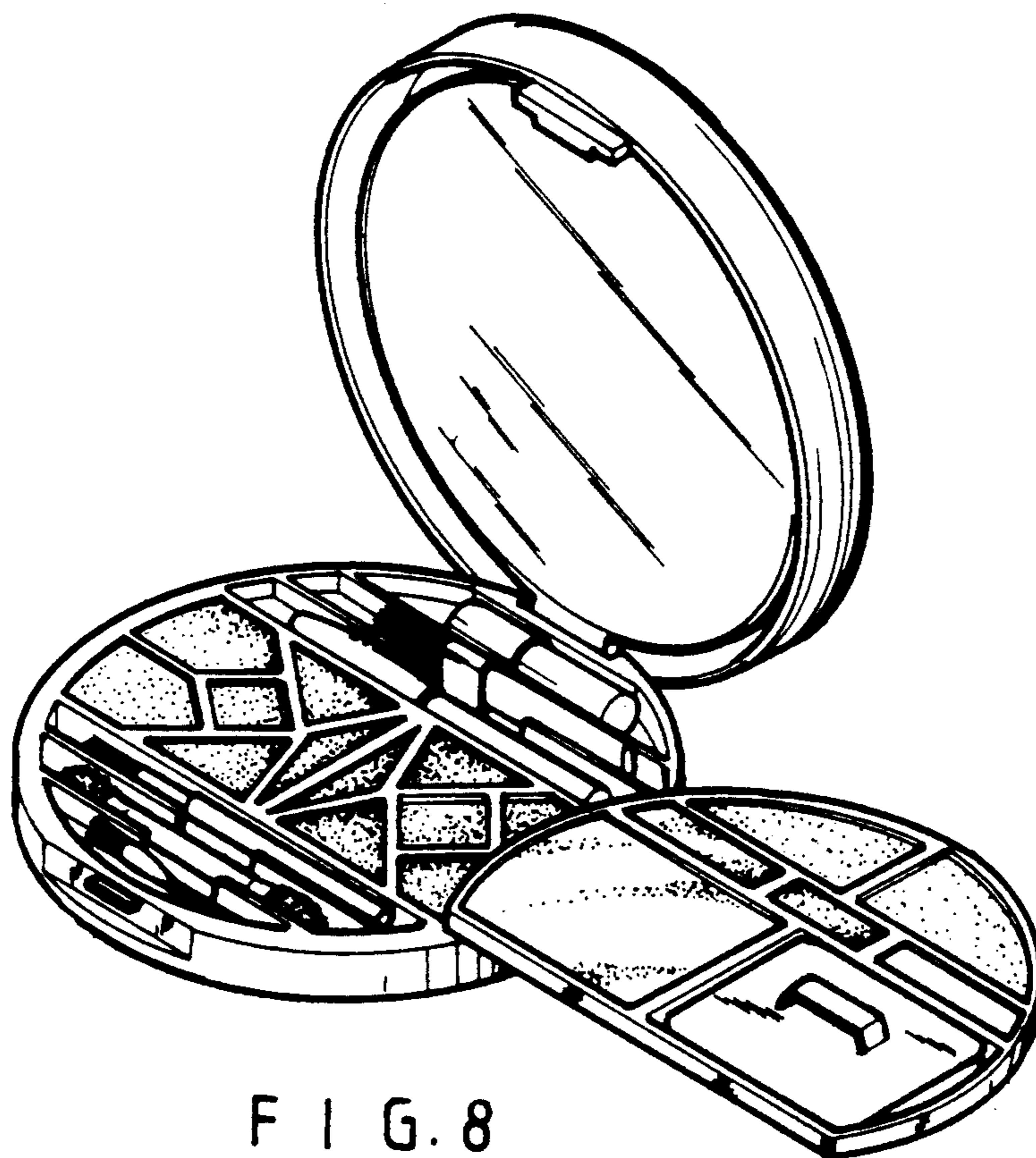


FIG. 8

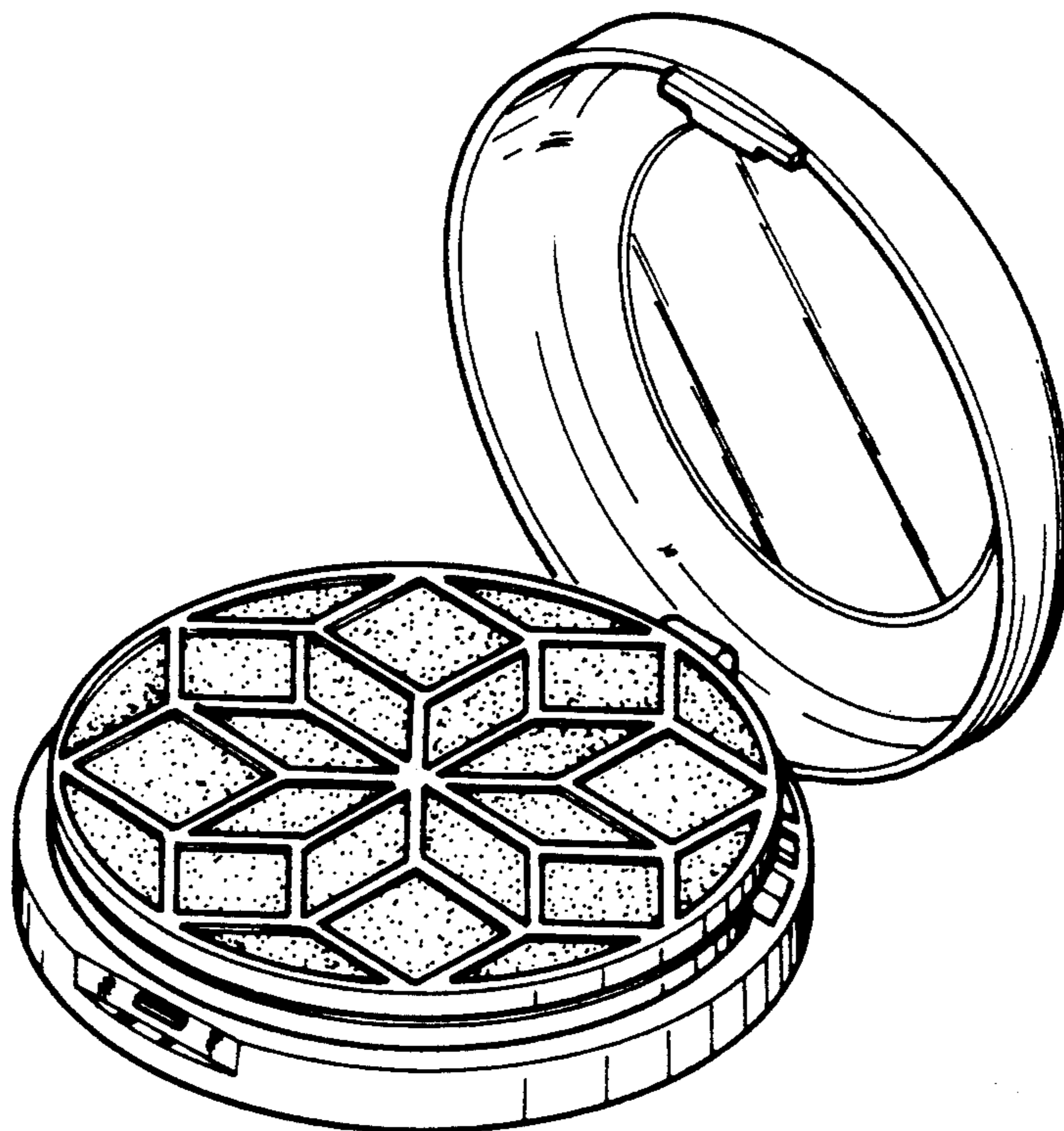


FIG. 7