



US00D344812S

**United States Patent** [19]  
**Collins**

[11] **Patent Number: Des. 344,812**

[45] **Date of Patent: \*\* Mar. 1, 1994**

[54] **LIGHT WITH LINEAR LAMP BULB**

3,604,916 9/1971 Adra ..... 362/427  
5,154,507 10/1992 Collins ..... 362/250 X

[76] **Inventor: William J. Collins, 4027 Pleasant Ridge Rd., Boulder, Colo. 80301**

*Primary Examiner—Susan J. Lucas*  
*Attorney, Agent, or Firm—Gregg I. Anderson*

[\*\*] **Term: 14 Years**

[57] **CLAIM**

[21] **Appl. No.: 839,226**

The ornamental design for a light with linear lamp bulb, as shown and described.

[22] **Filed: Feb. 20, 1992**

[52] **U.S. Cl. .... D26/75; D26/24**

[58] **Field of Search ..... 362/218, 220, 221, 222, 362/223, 362, 427, 250; D26/75, 76, 77, 78, 24**

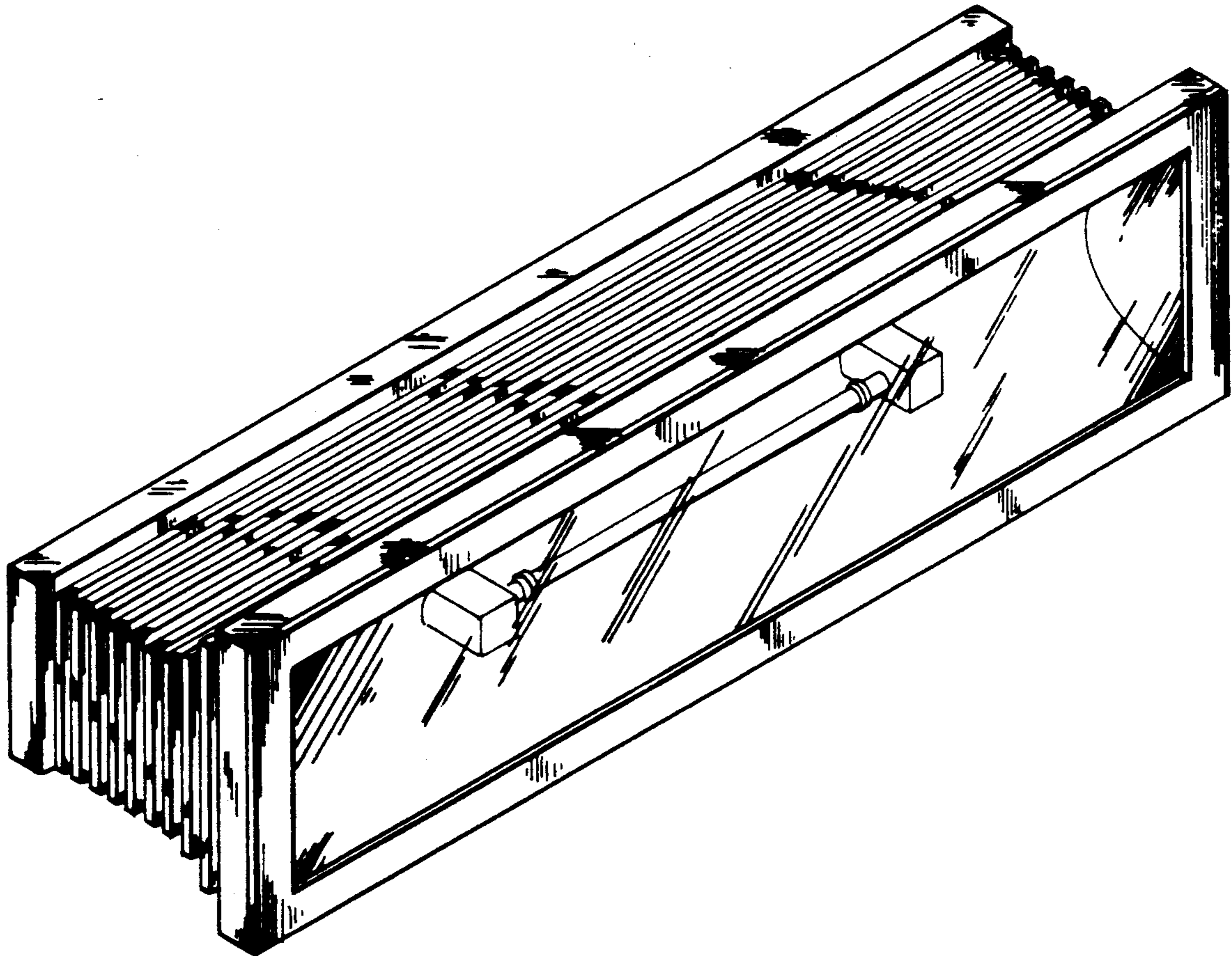
**DESCRIPTION**

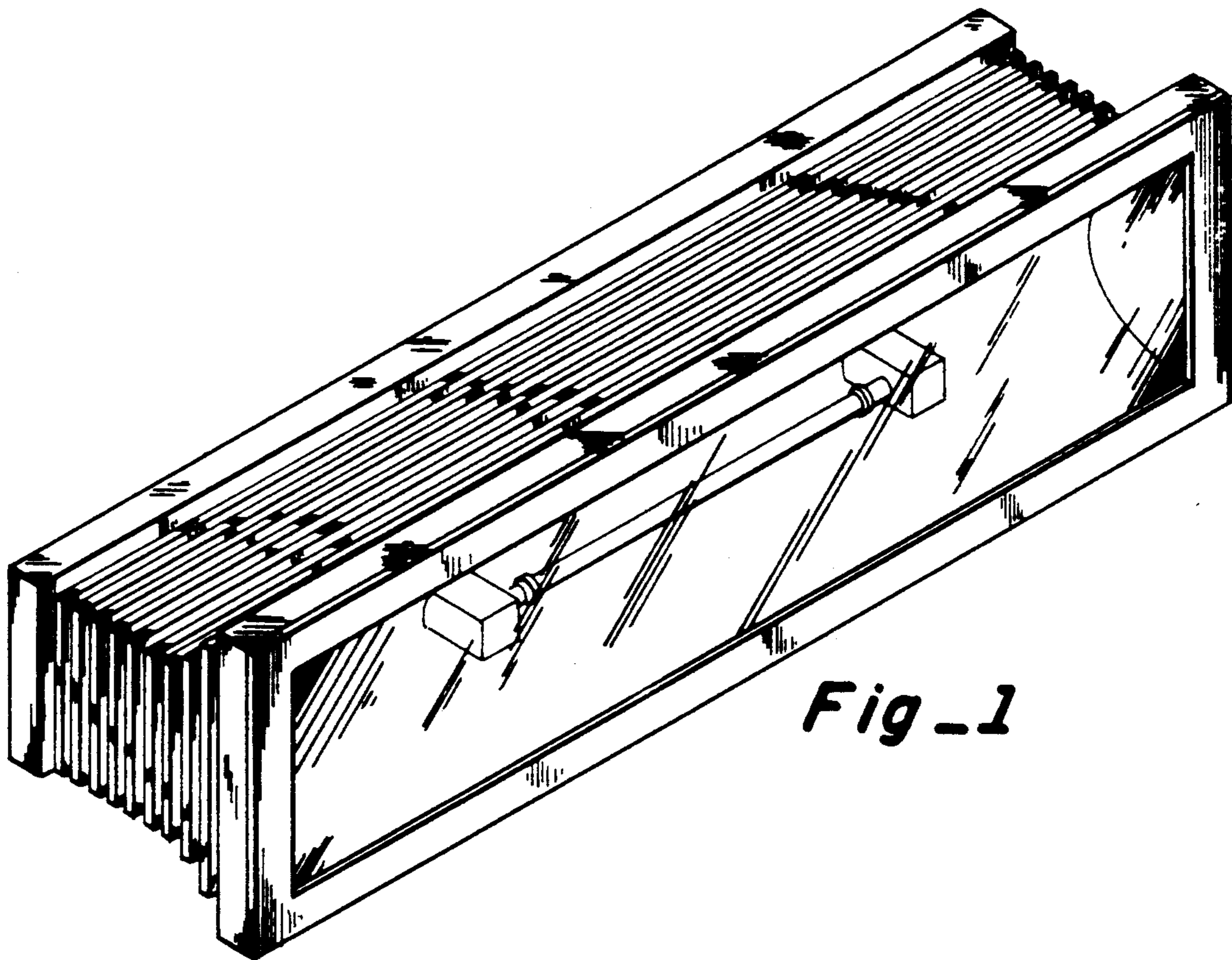
[56] **References Cited**

**U.S. PATENT DOCUMENTS**

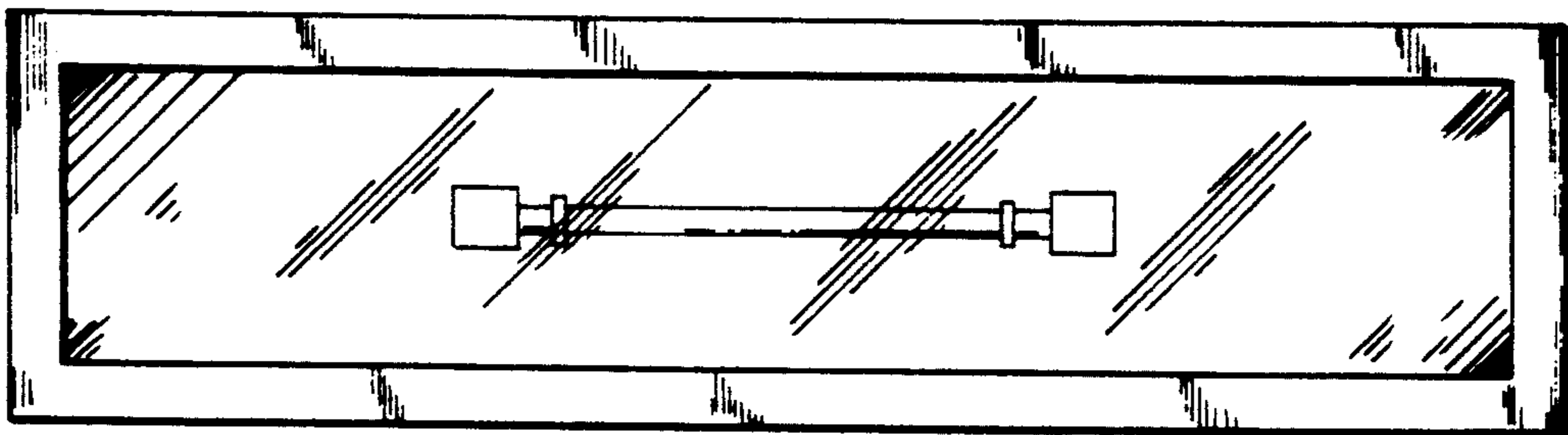
- D. 195,876 8/1963 Atkin et al. .... D26/63
- D. 213,720 4/1969 Osborne ..... D26/63
- D. 291,602 8/1987 Dacanay ..... D26/63 X
- D. 295,791 5/1988 Stranberg ..... D26/63

FIG. 1 is a perspective view of the light with linear lamp bulb of my new design;  
FIG. 2 is a front elevational view thereof;  
FIG. 3 is a rear elevational view thereof;  
FIG. 4 is a top plan view thereof;  
FIG. 5 is a bottom plan view thereof; and,  
FIG. 6 is a left elevational view thereof, the right elevational view being a mirror image thereof.

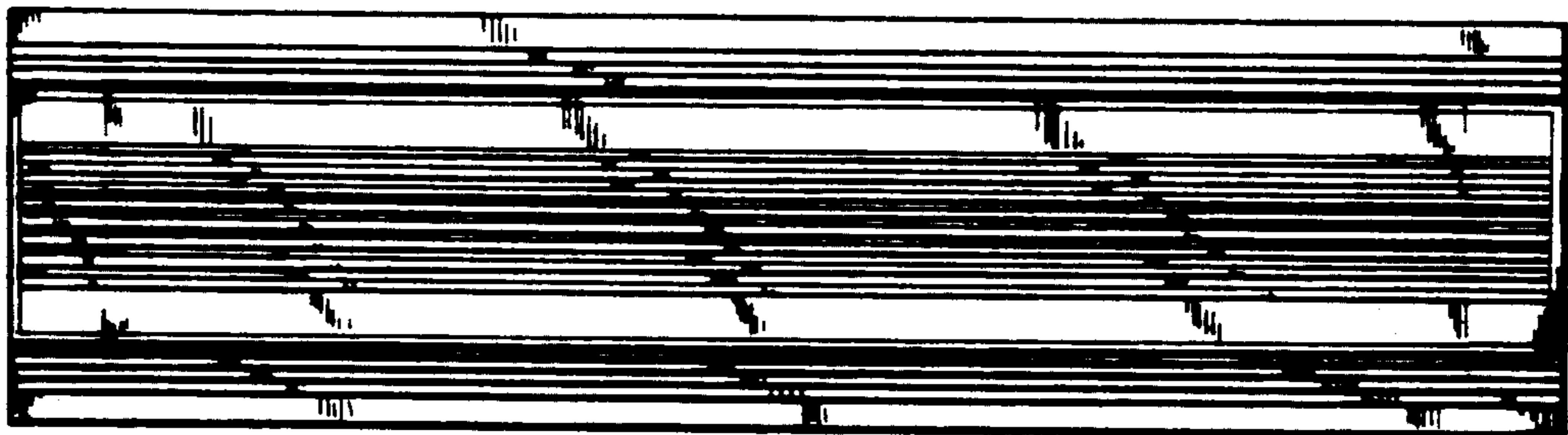




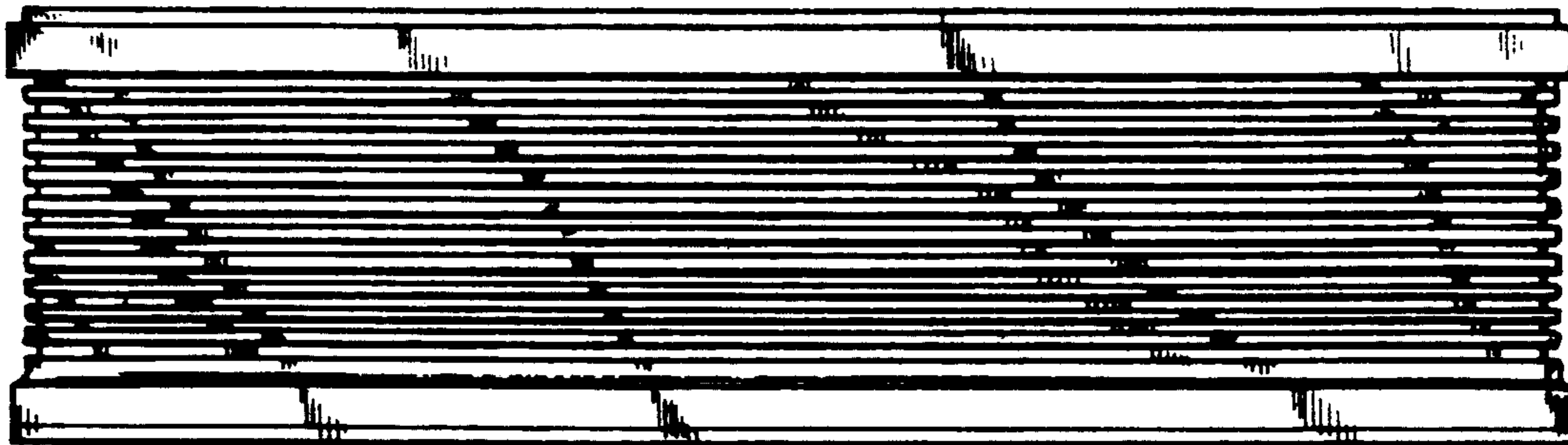
*Fig\_1*



*Fig\_2*



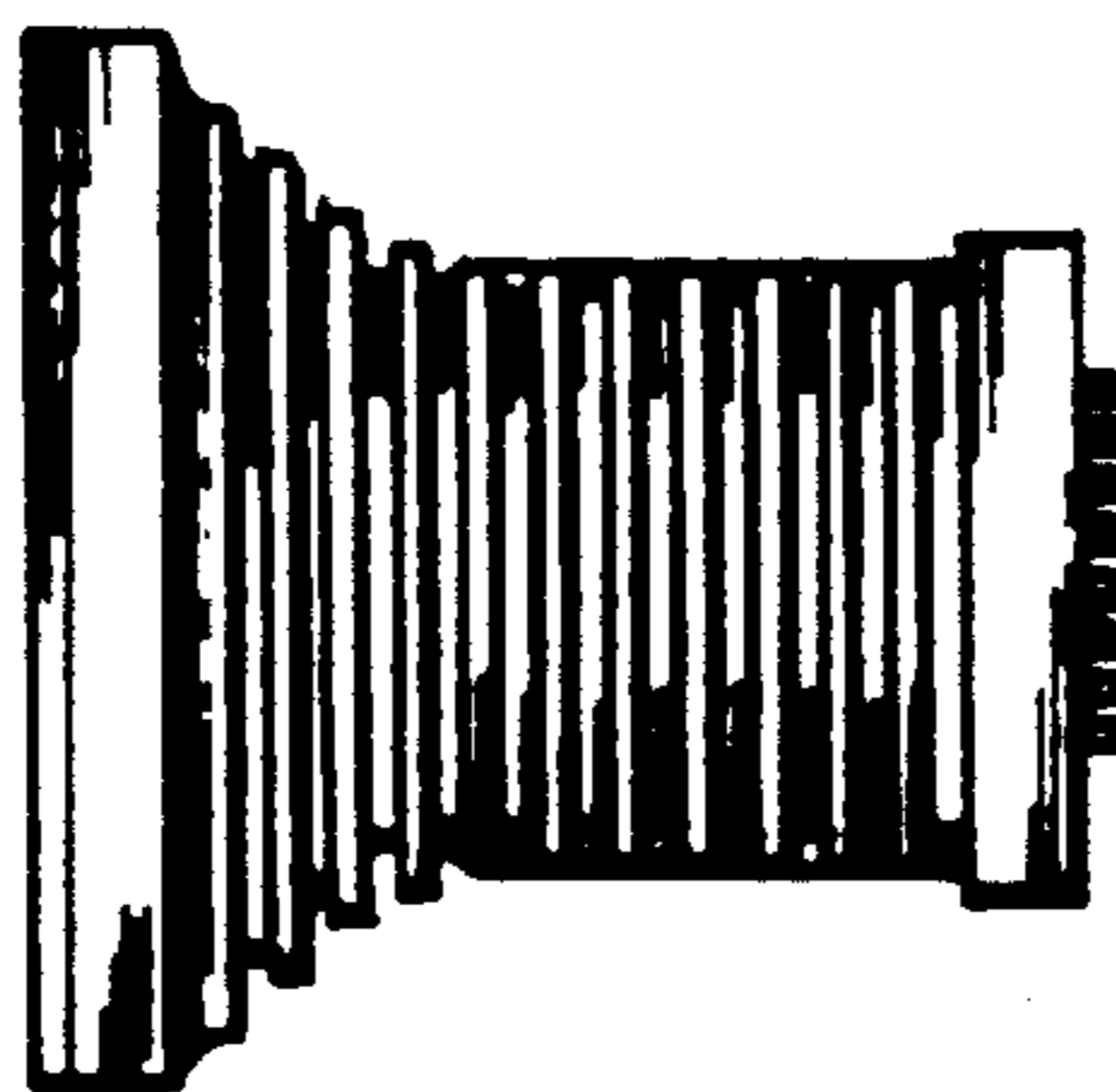
*Fig\_3*



*Fig\_4*



*Fig\_5*



*Fig\_6*