



US00D344811S

# United States Patent [19]

Garrity

[11] Patent Number: **Des. 344,811**

[45] Date of Patent: **\*\* Mar. 1, 1994**

[54] **FLASHLIGHT**

[75] Inventor: **Kevin S. Garrity, Madison, Conn.**

[73] Assignee: **Garrity Industries, Inc., Madison, Conn.**

[\*\*] Term: **14 Years**

[21] Appl. No.: **6,363**

[22] Filed: **Mar. 23, 1993**

D. 294,644	3/1988	Ohashi	.....	D26/49
D. 299,274	1/1989	Ohashi	.	
D. 300,667	4/1989	Ohashi	.	
D. 307,057	4/1990	Seok	.....	D26/49
D. 315,609	3/1991	Garrity	.....	D26/49
D. 325,788	4/1992	Yuen	.....	D26/49

*Primary Examiner*—Susan J. Lucas  
*Attorney, Agent, or Firm*—Fitzpatrick, Cella, Harper & Scinto

### Related U.S. Application Data

[63] Continuation of Ser. No. 849,693, Mar. 10, 1992, abandoned.

[52] U.S. Cl. .... **D26/49**

[58] Field of Search ..... 362/157, 158, 183-202, 362/205, 204; D26/37-50

### [57] CLAIM

The ornamental design for a flashlight, as shown and described.

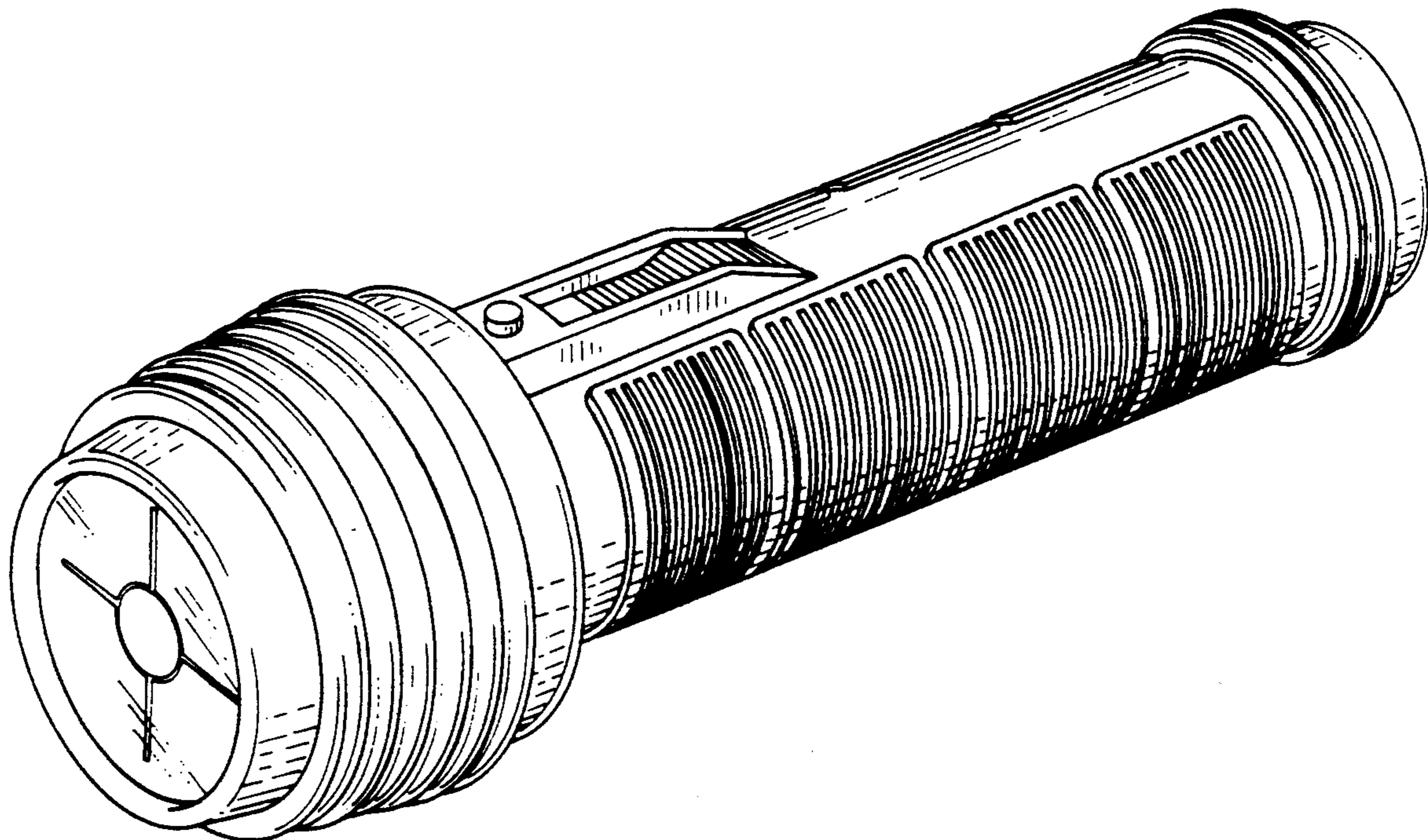
### DESCRIPTION

FIG. 1 is a perspective view of a flashlight showing my new design;  
 FIG. 2 is a side view thereof, the opposite side being a mirror image;  
 FIG. 3 is a top plan view thereof;  
 FIG. 4 is a bottom plan view thereof;  
 FIG. 5 is a front view thereof;  
 FIG. 6 is a rear view thereof; and,  
 FIG. 7 is a cross-sectional view as taken along line 7-7 of FIG. 3 on an enlarged scale.

### [56] References Cited

#### U.S. PATENT DOCUMENTS

D. 249,581	9/1978	Von Clemm	.
D. 251,631	4/1979	Zelina	.
D. 283,924	5/1986	Yau	.



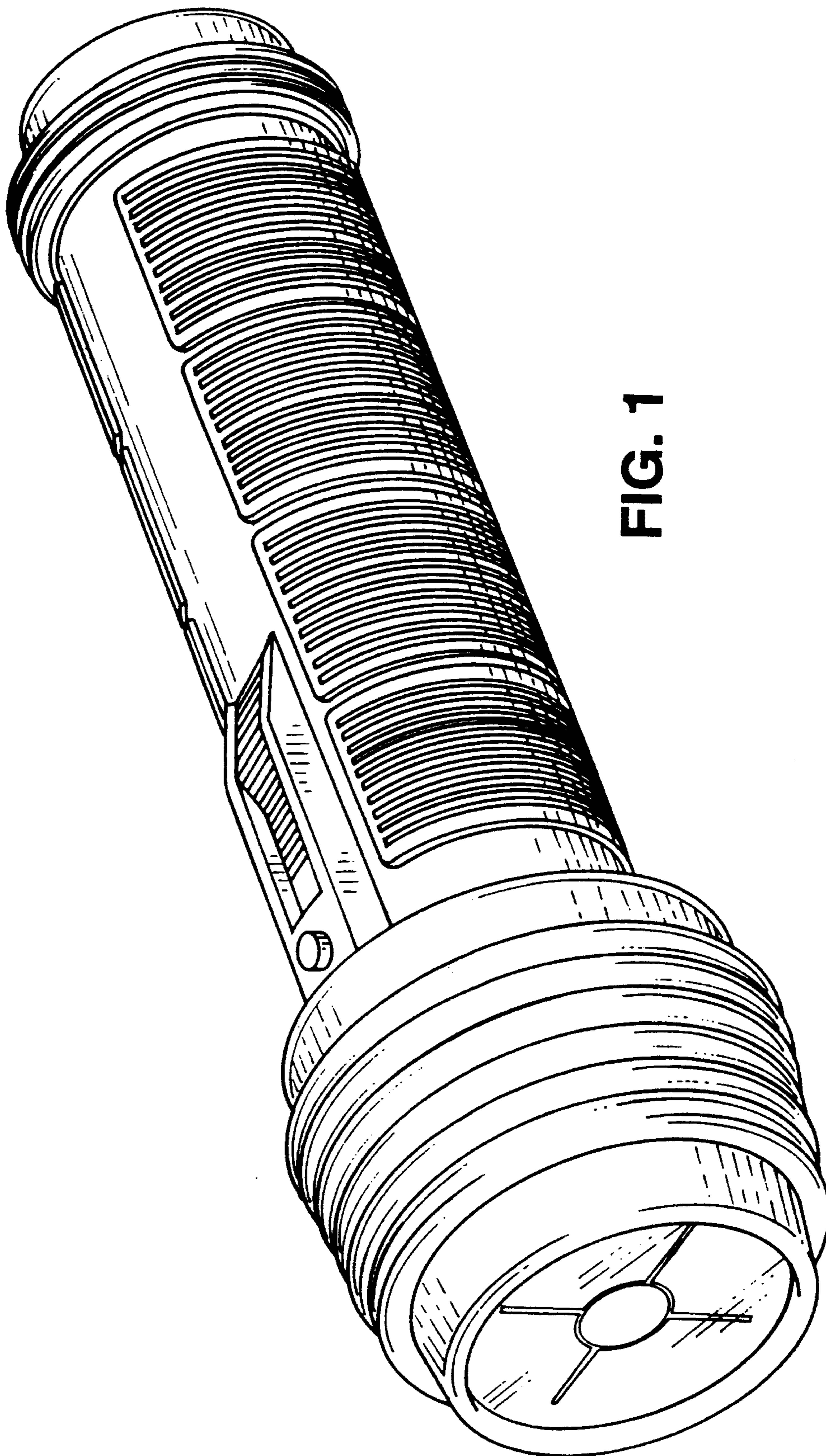


FIG. 1

FIG. 2

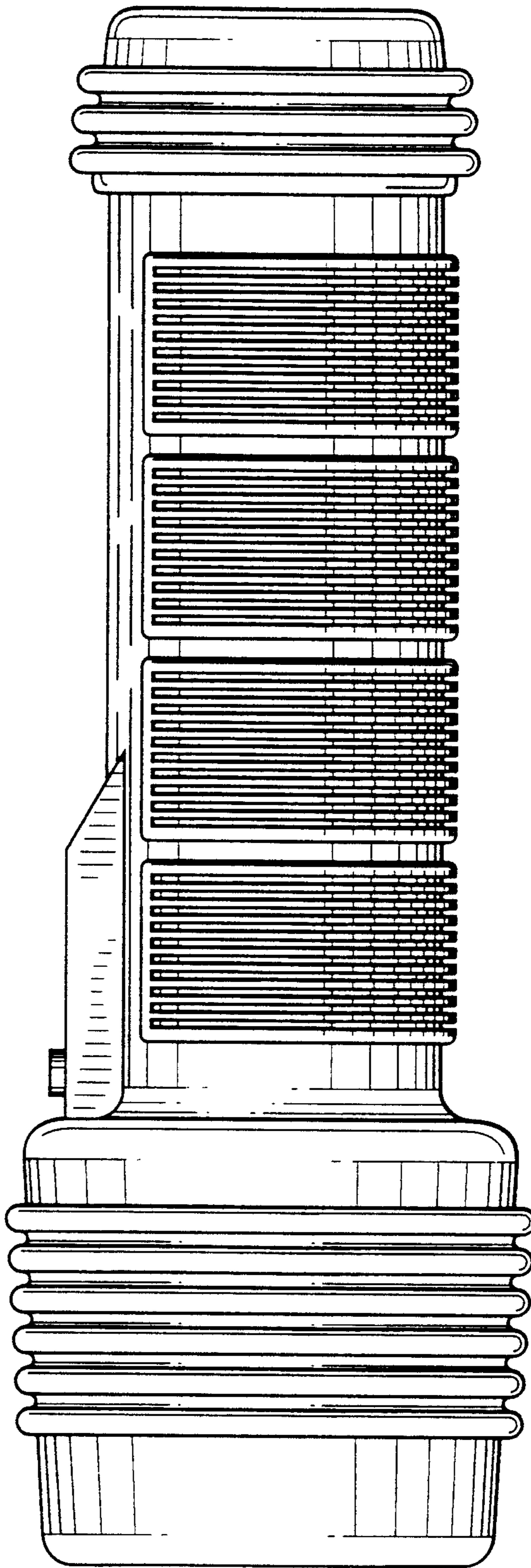


FIG. 3

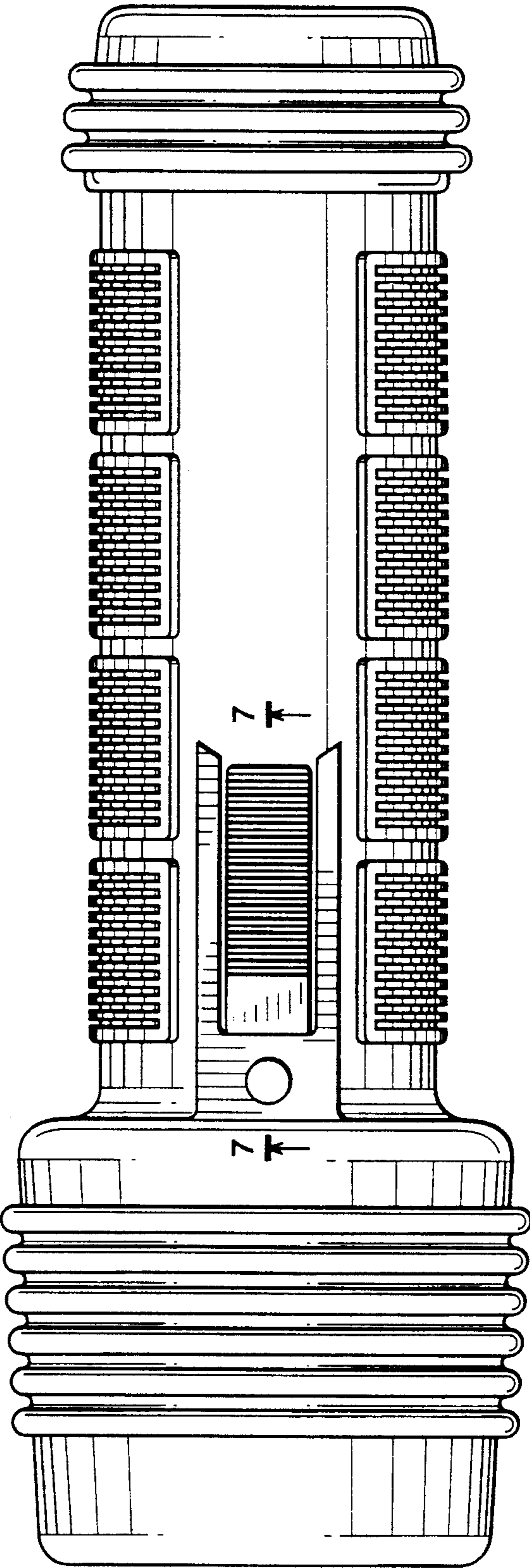
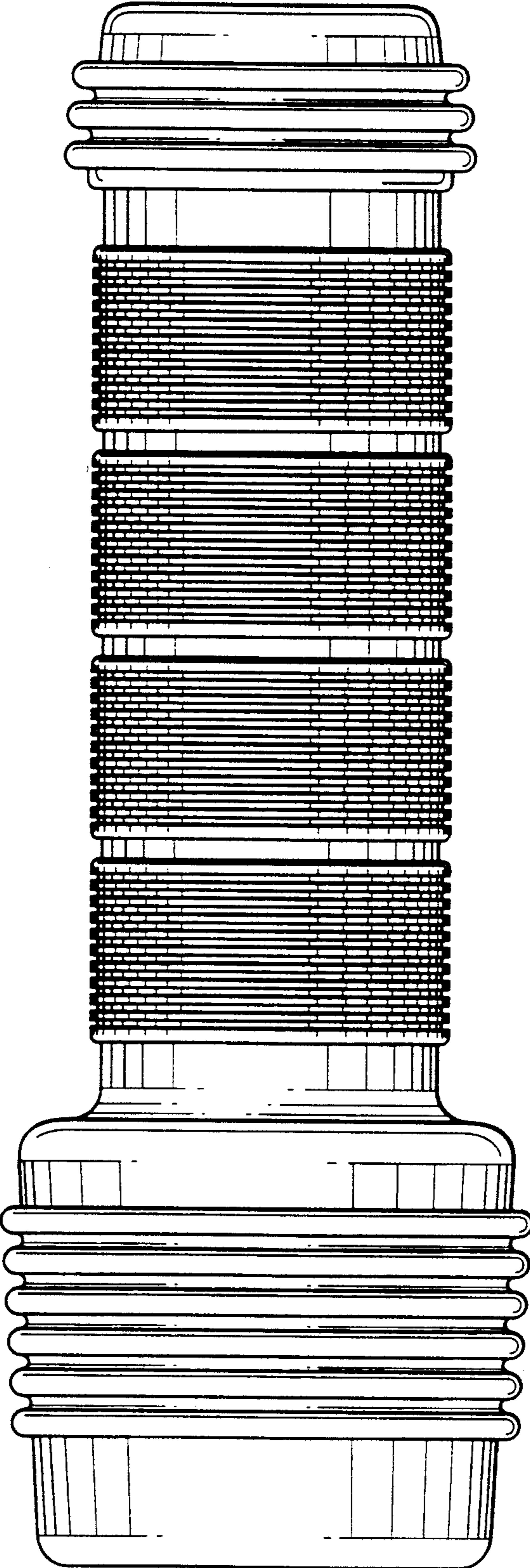
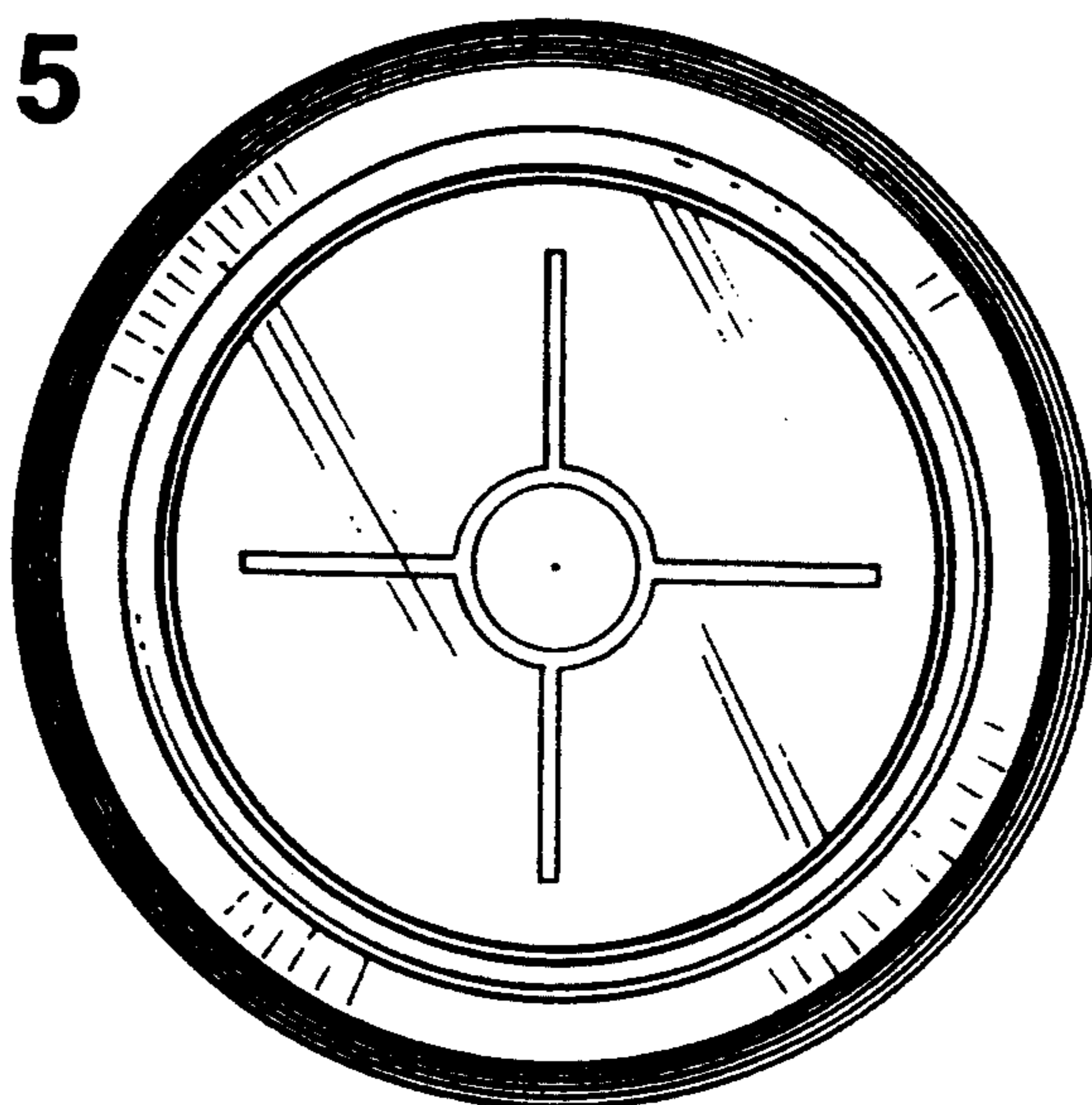


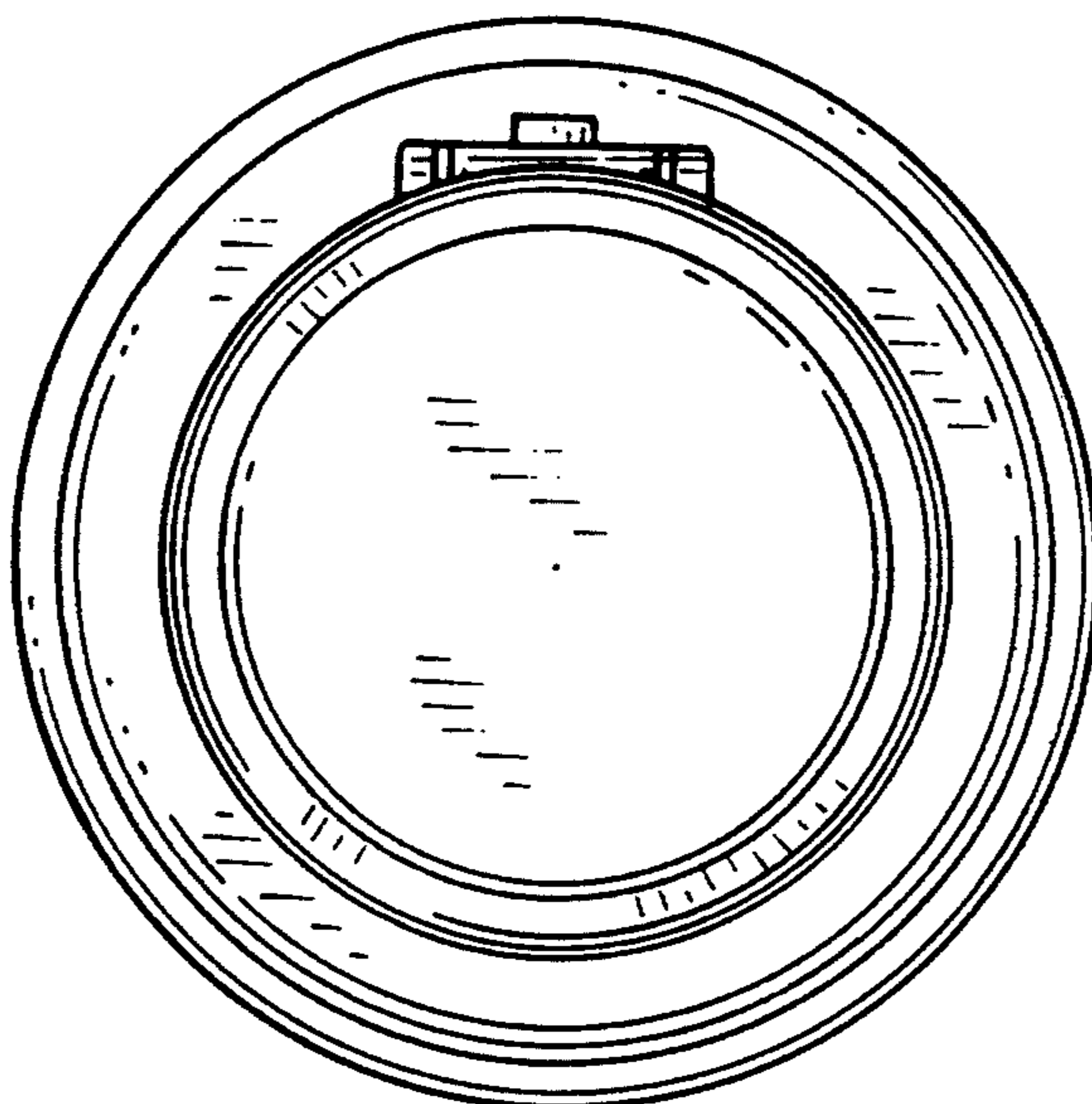
FIG. 4



**FIG. 5**



**FIG. 6**



**FIG. 7**

