



US00D344808S

United States Patent [19]

[11] Patent Number: **Des. 344,808**

Ehmke et al.

[45] Date of Patent: **** Mar. 1, 1994**

[54] **STRUCTURAL EXTRUSION**

4,712,695 12/1987 Cheng D25/119

[75] Inventors: **Robert J. Ehmke**, Germantown;
Timothy J. Nolan, Grafton, both of Wis.

Primary Examiner—A. Hugo Word
Assistant Examiner—Doris Clark
Attorney, Agent, or Firm—Godfrey & Kahn

[73] Assignee: **Design Specialties, Inc.**, Milwaukee, Wis.

[57] **CLAIM**

The ornamental design of a structural extrusion, as shown and described.

[**] Term: **14 Years**

DESCRIPTION

[21] Appl. No.: **905,857**

FIG. 1 is a perspective view of the structural extrusion showing our new design;

[22] Filed: **Jun. 29, 1992**
(Under 37 CFR 1.47)

FIG. 2 is an end view of the structural extrusion showing our new design;

[52] U.S. Cl. **D25/119**

FIG. 3 is a side elevation view of the structural extrusion showing our new design;

[58] Field of Search **49/504; 52/232.1;**
D25/119-124

FIG. 4 is a side elevation view of the structural extrusion opposite to that shown in FIG. 3 and showing our new design;

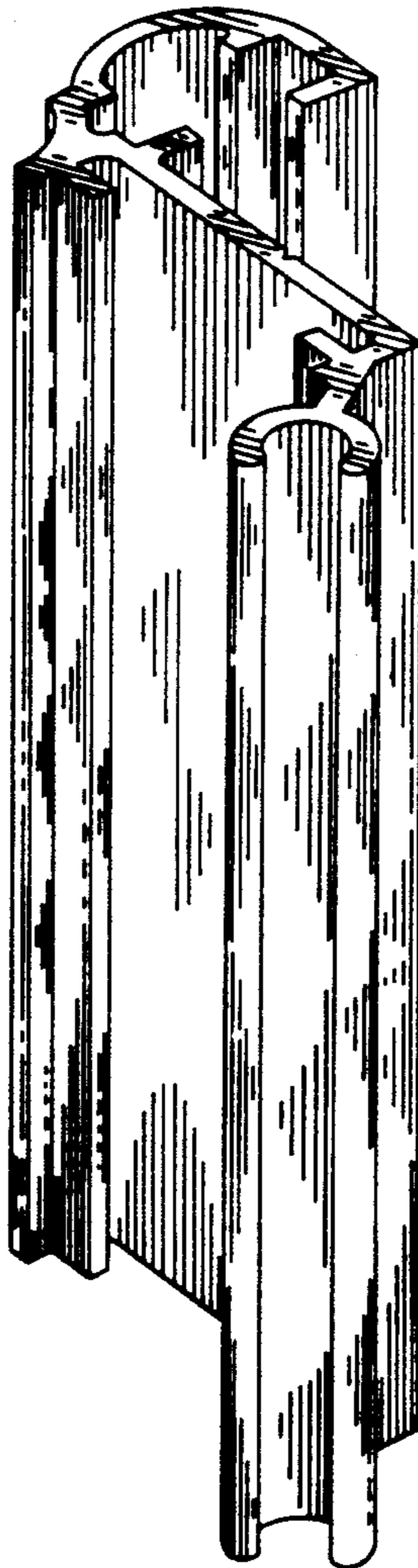
[56] **References Cited**

U.S. PATENT DOCUMENTS

D. 317,049	5/1991	Pavone et al.	D25/119
3,751,868	8/1973	Mascioletti	D25/119
4,035,979	7/1977	Koreska	D25/119

FIG. 5 is a front elevation view of the structural extrusion showing our new design; and,

FIG. 6 is a rear elevation view of the structural extrusion showing our new design.



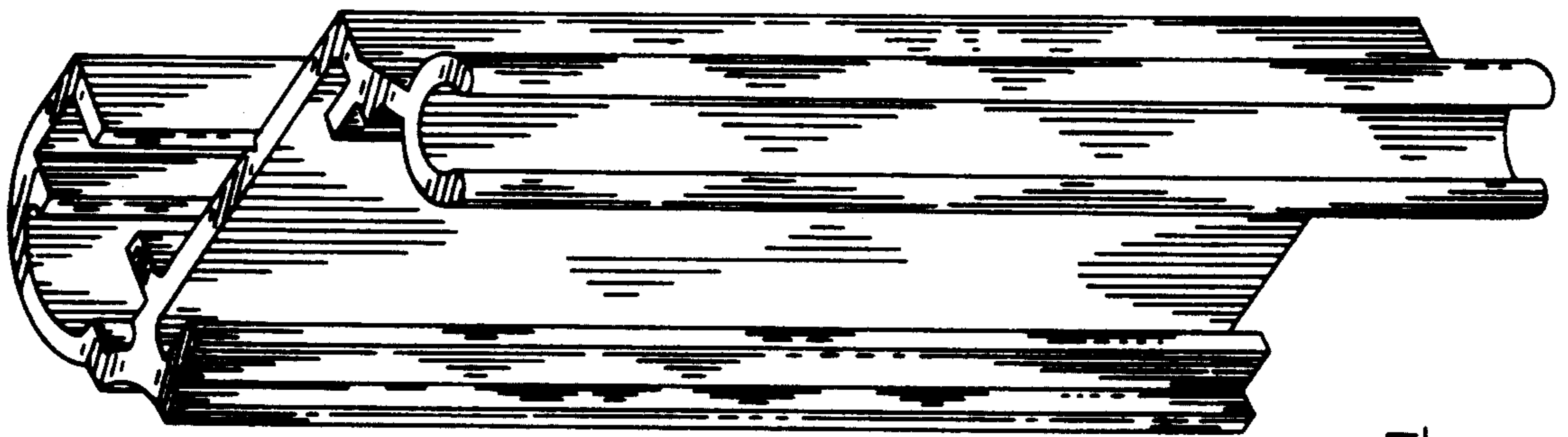


FIG. 1

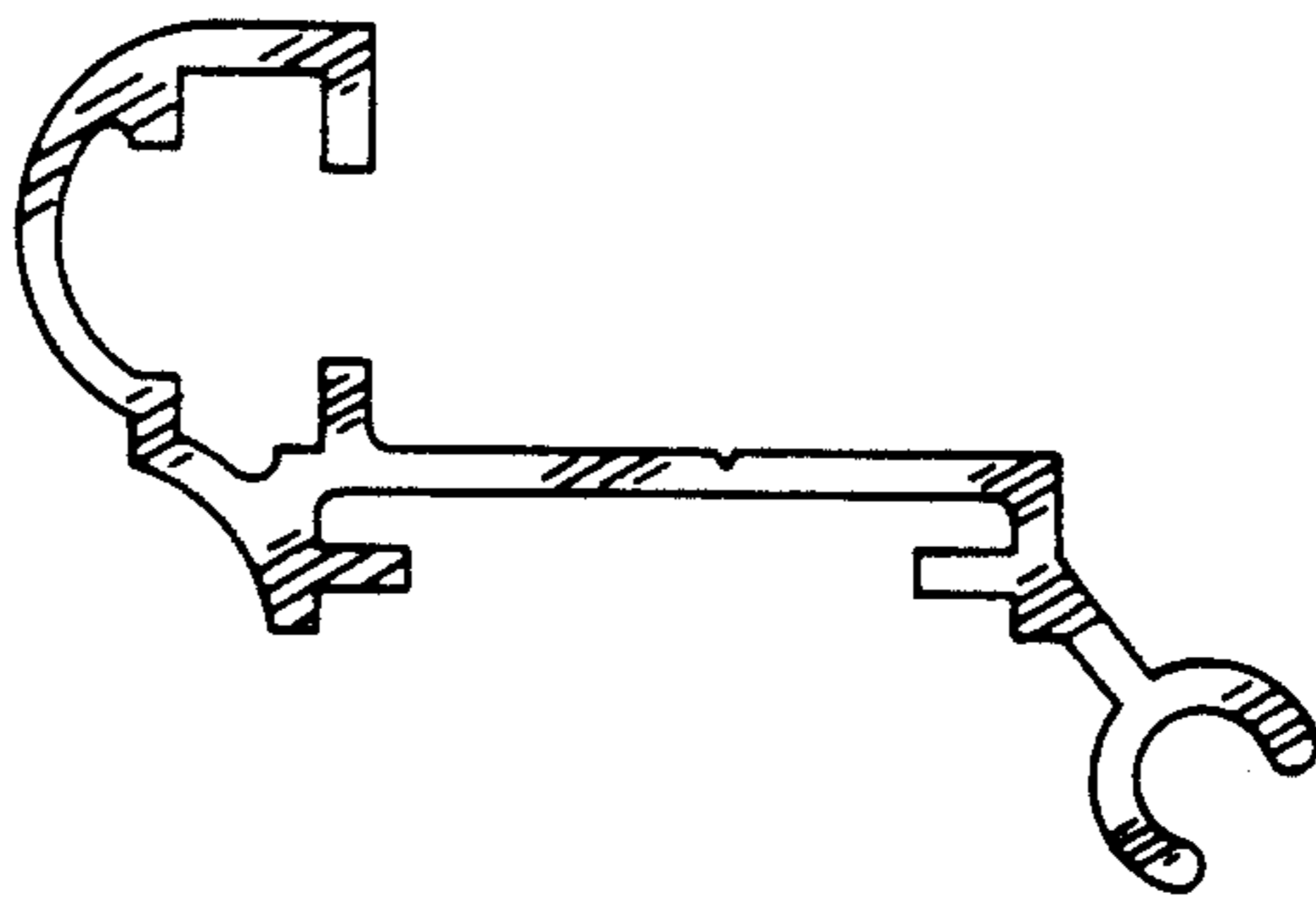


FIG. 2

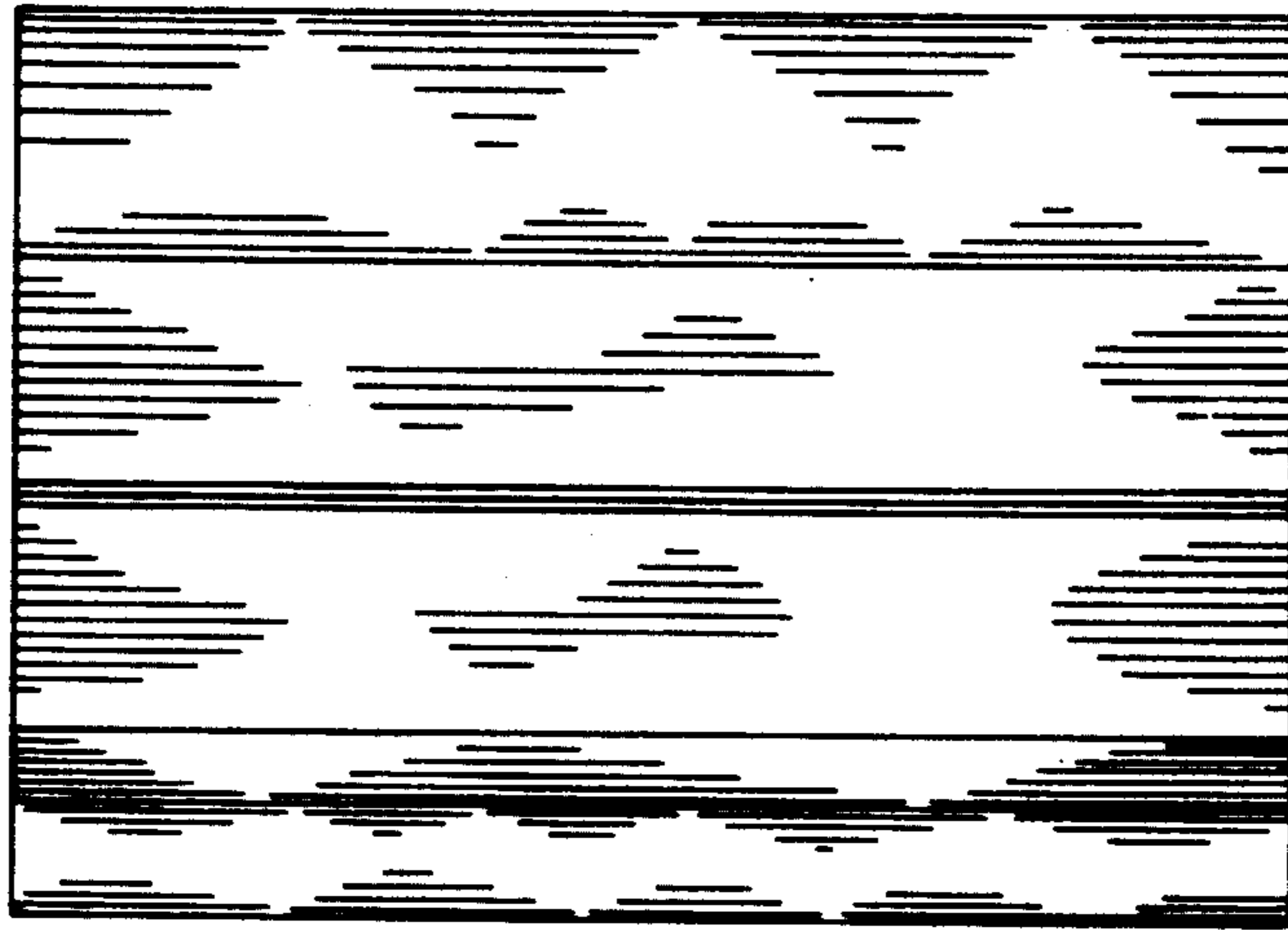


FIG. 3



FIG. 6

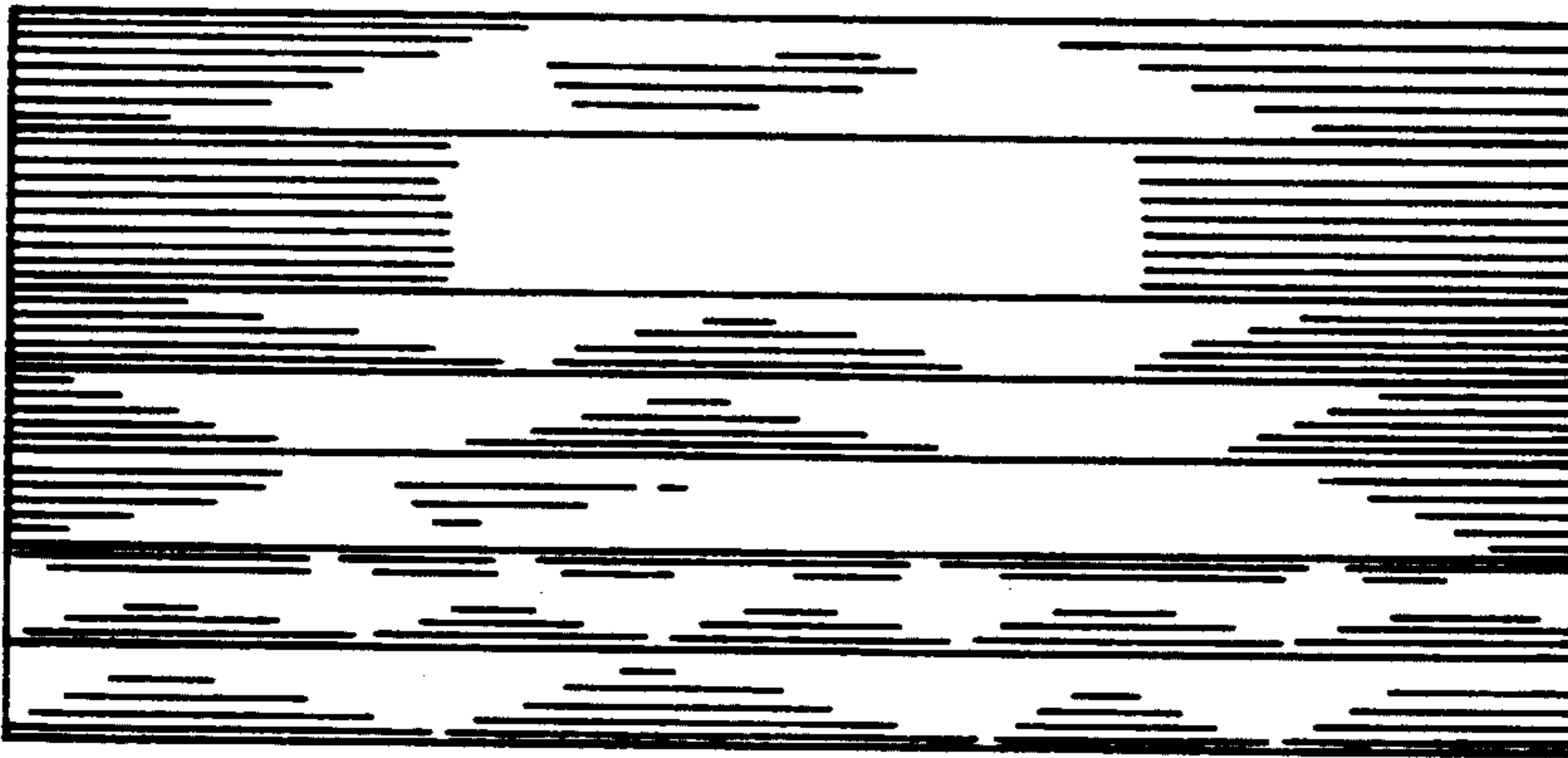


FIG. 5

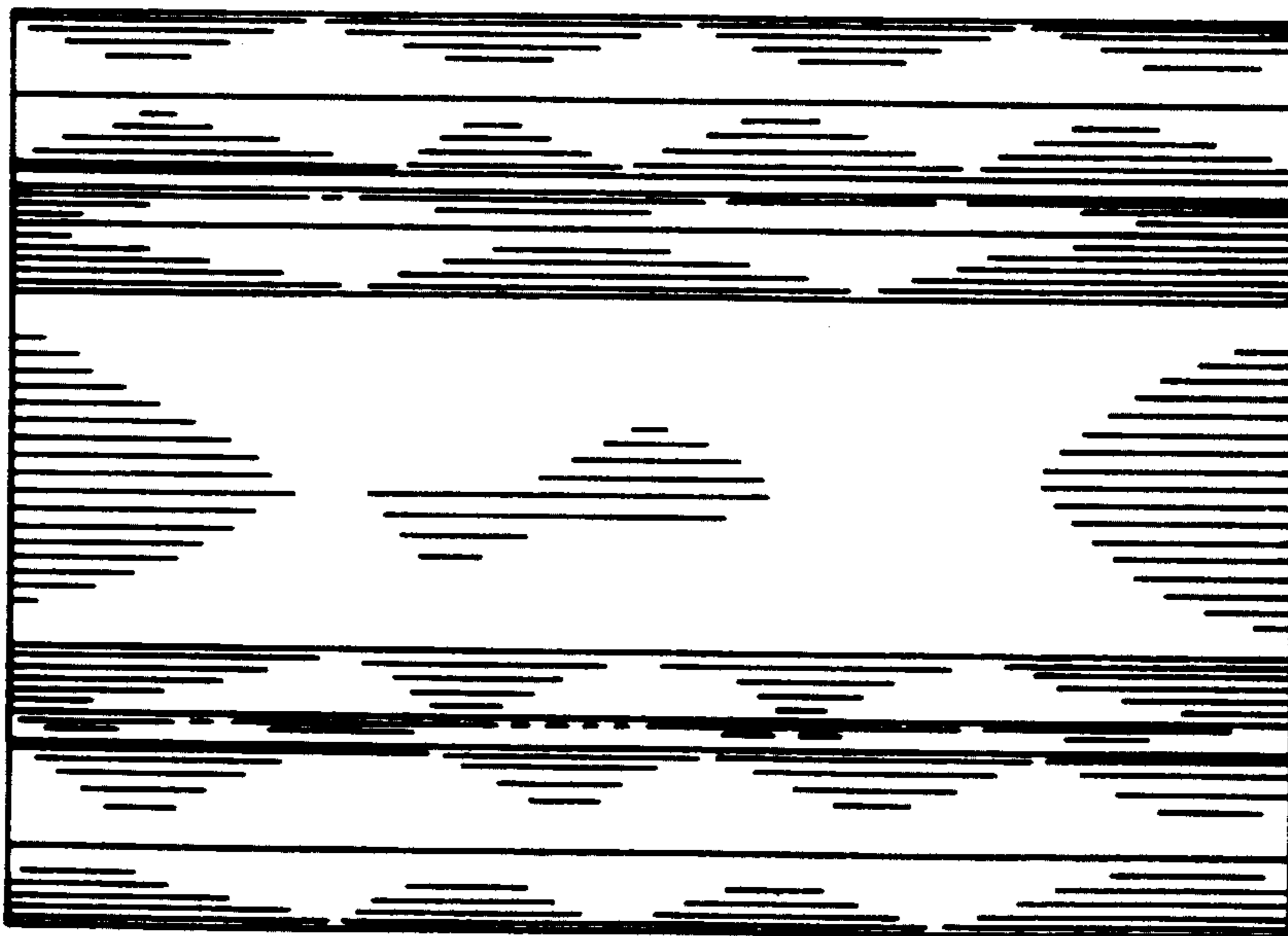


FIG. 4