



US00D344800S

United States Patent [19]
Lamby

[11] **Patent Number: Des. 344,800**

[45] **Date of Patent: ** Mar. 1, 1994**

[54] **COMBINED HEARING AID AND GERIATRIC AMPLIFIER**

[75] **Inventor: Ulf Lamby, Stockholm, Sweden**

[73] **Assignee: Comento AB, Sweden**

[**] **Term: 14 Years**

[21] **Appl. No.: 758,813**

[22] **Filed: Sep. 12, 1991**

[52] **U.S. Cl. D24/174**

[58] **Field of Search 381/68.2, 69, 69.1, 381/68; D24/174; D14/188**

D. 300,852 4/1989 Sunderland et al. D24/174
2,564,425 8/1951 Corso et al. 381/69.1
2,585,191 2/1952 Tresise et al. 381/69

Primary Examiner—Stella Reid
Attorney, Agent, or Firm—Laff, Whitesel, Conte & Saret

[57] **CLAIM**

The ornamental design for a combined hearing aid and geriatric amplifier, as shown and described.

DESCRIPTION

FIG. 1 is a top right perspective view of a combined hearing aid and geriatric amplifier, showing my new design;

FIG. 2 is a top left side perspective view thereof;

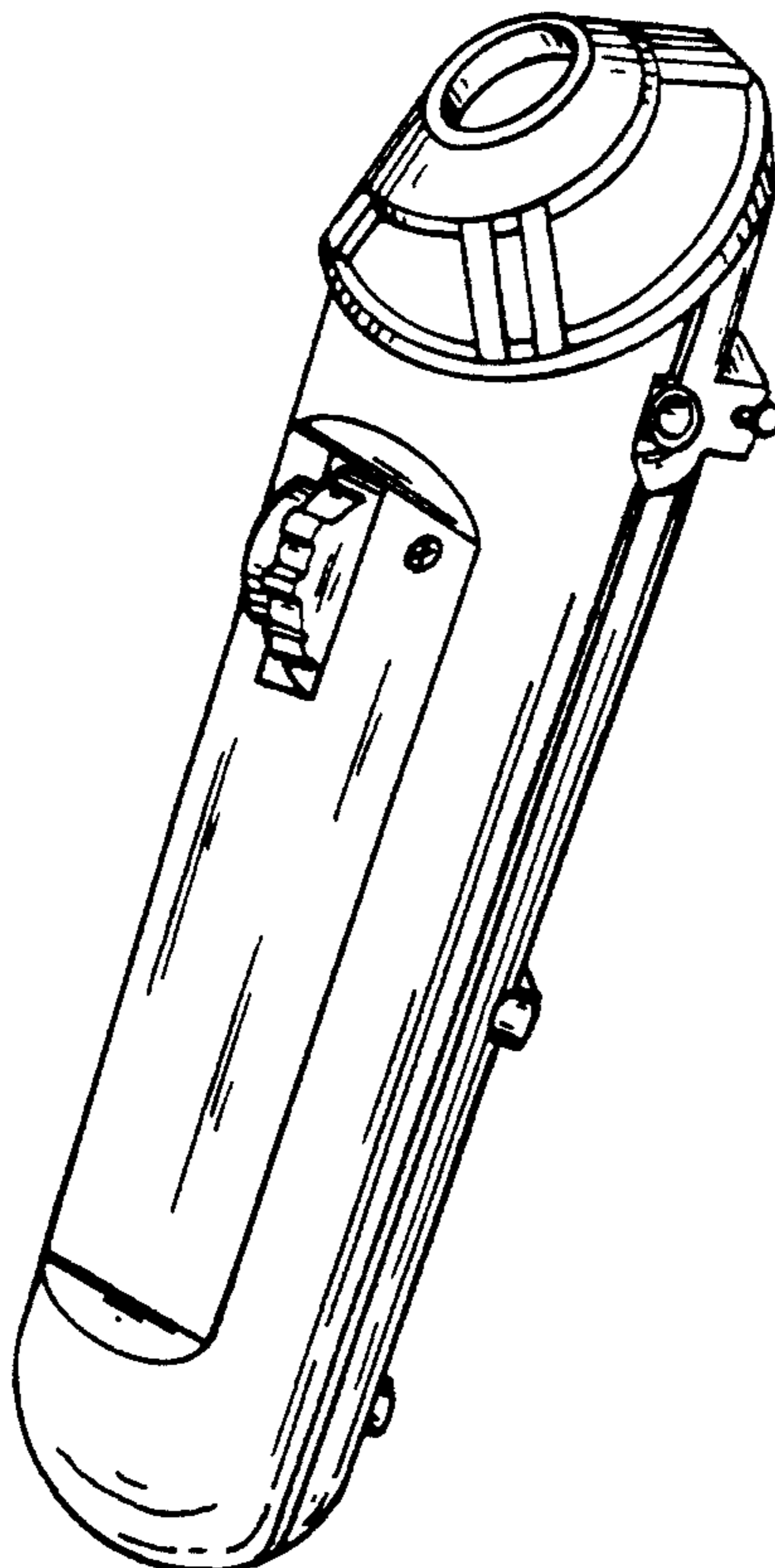
FIG. 3 is a bottom left perspective view thereof, with the battery compartment door in closed position; and,

FIG. 4 is a bottom left perspective view thereof, with the battery compartment door in open position.

[56] **References Cited**

U.S. PATENT DOCUMENTS

D. 167,873 9/1952 Watson D24/174
D. 187,926 5/1960 Boldt D24/174



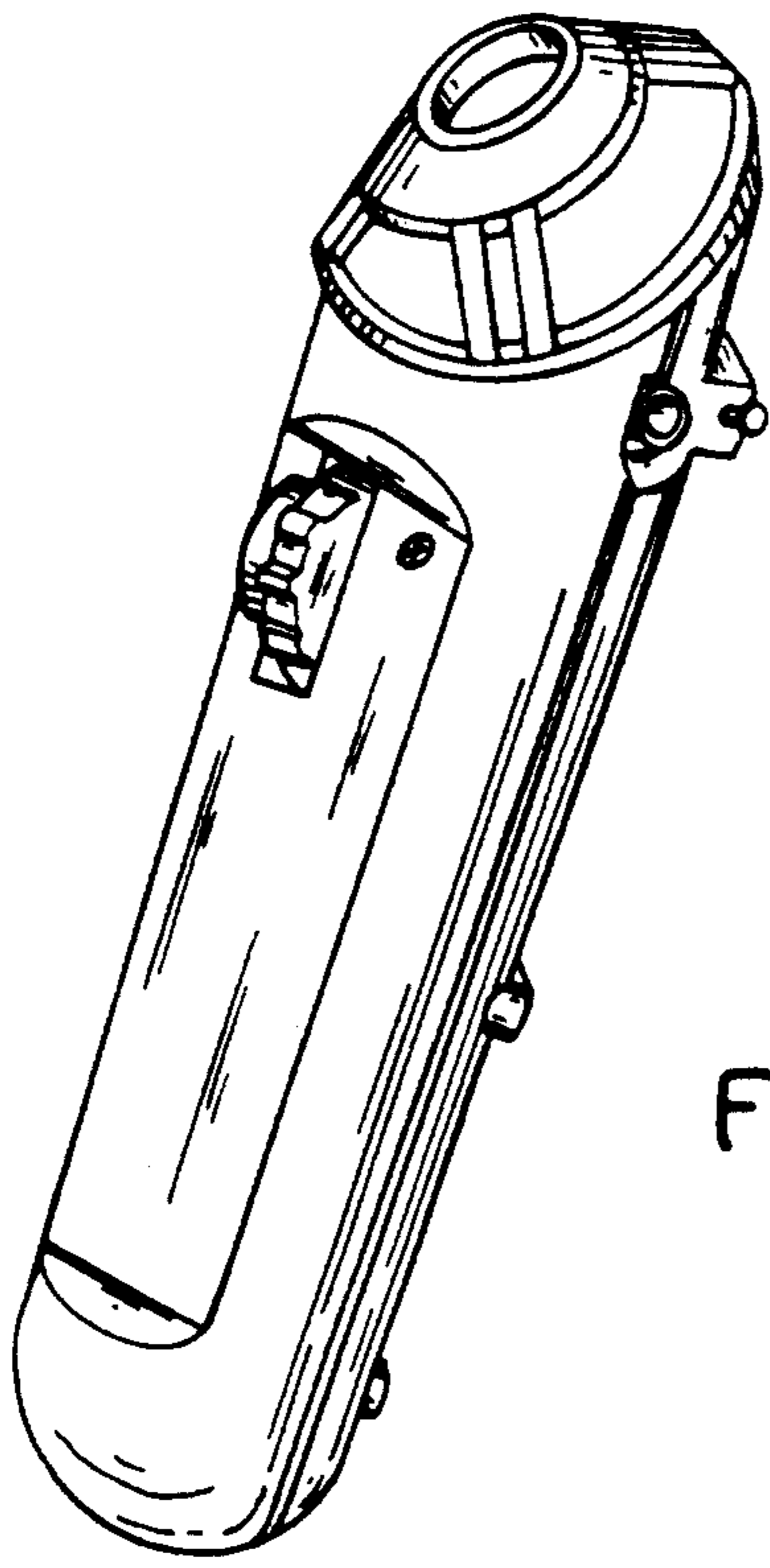


FIG. 1

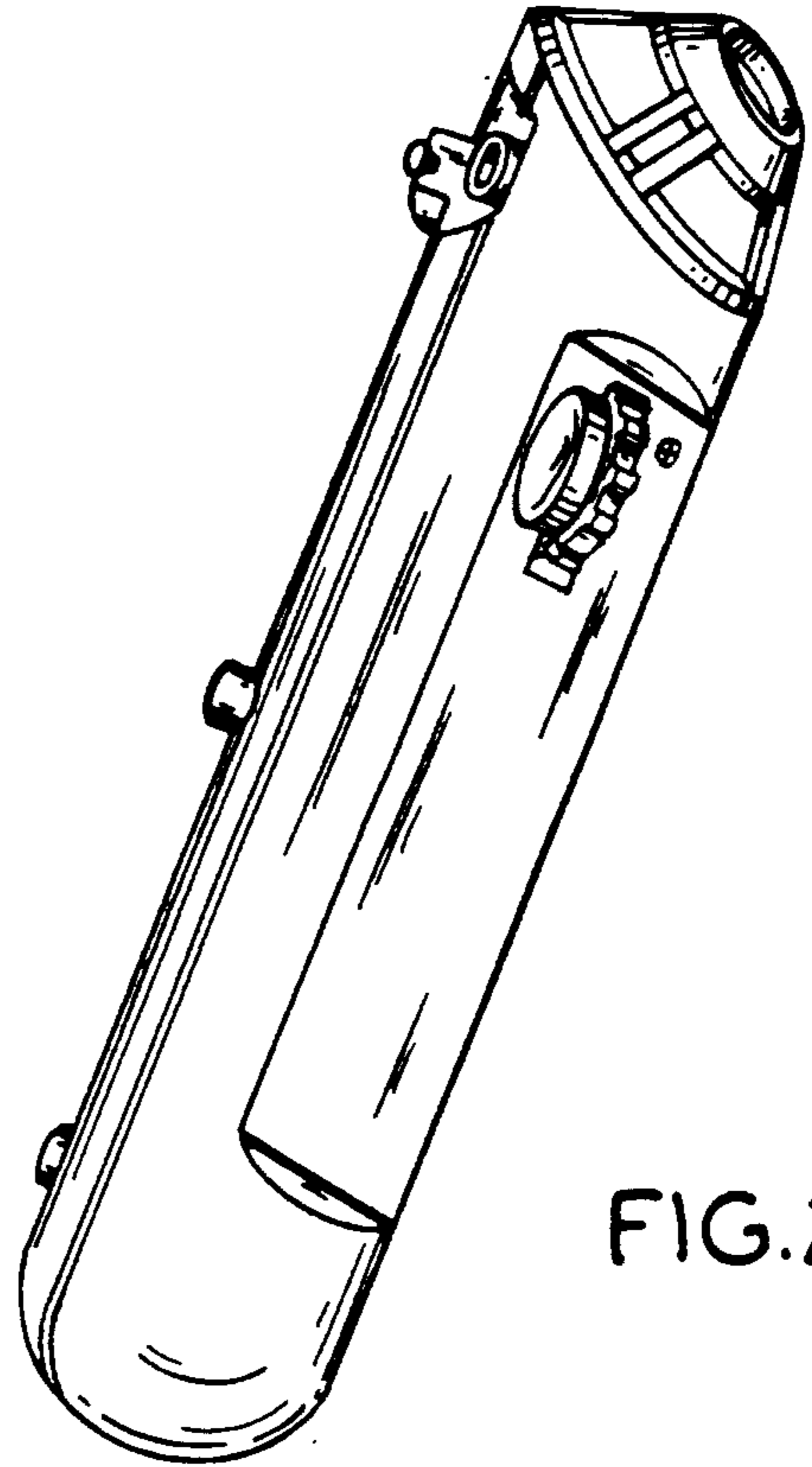


FIG. 2

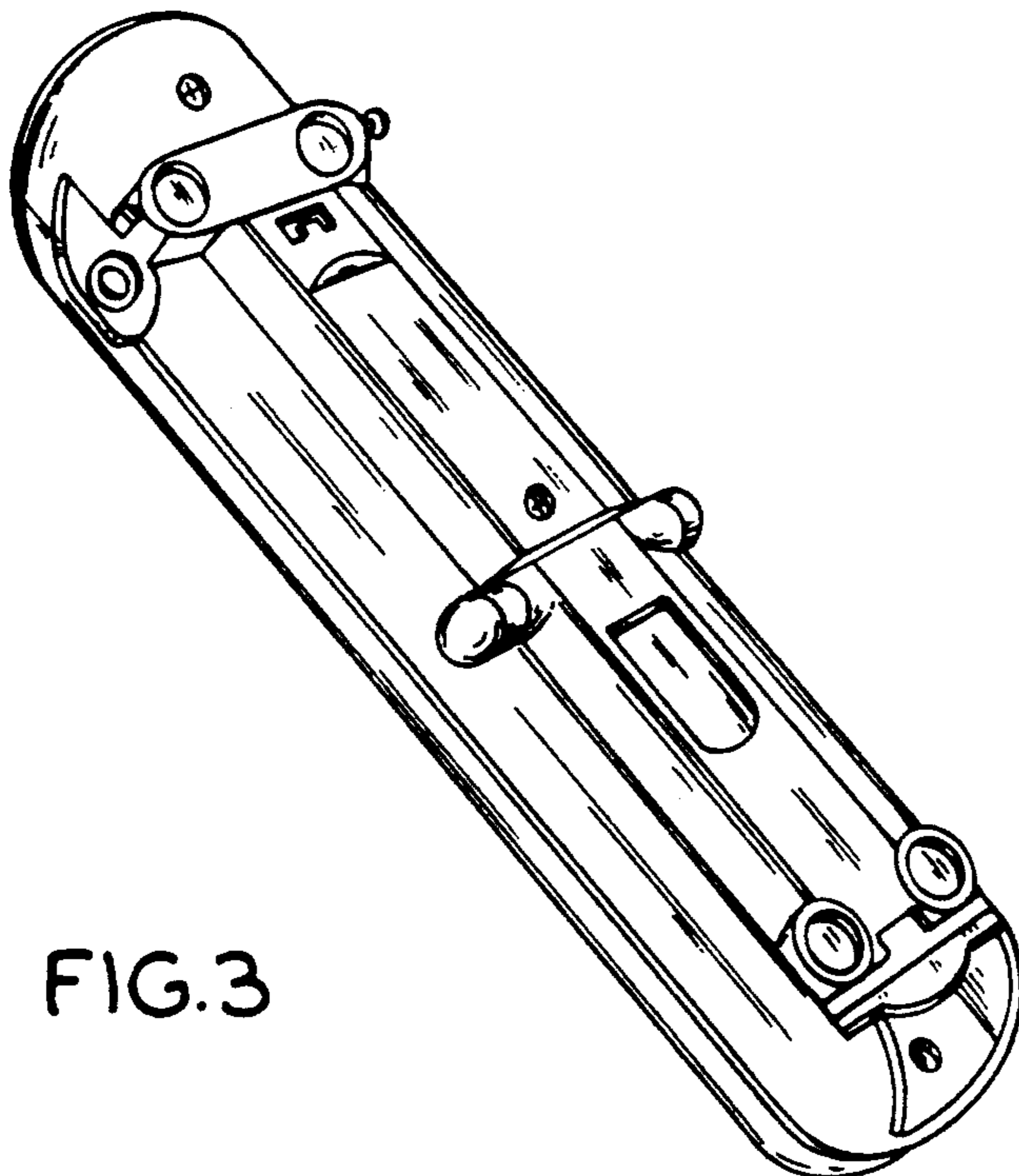


FIG. 3

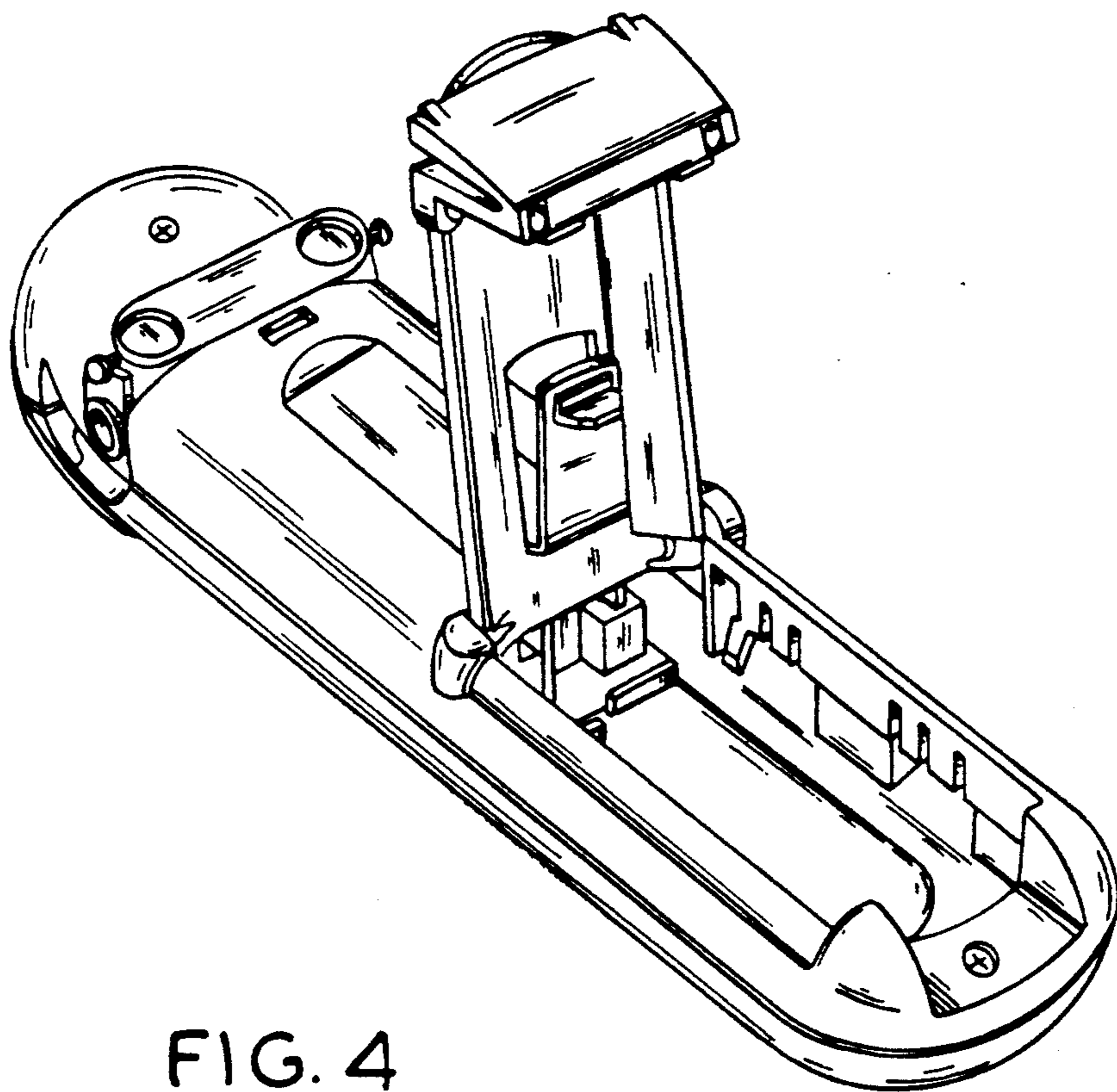


FIG. 4