



US00D344794S

United States Patent [19]

[11] Patent Number: **Des. 344,794**

Galler

[45] Date of Patent: **** Mar. 1, 1994**

[54] **COMBINED CEILING FAN AND LIGHT FIXTURE**

[76] Inventor: **David L. Galler**, 7187 W. Utopia Rd., Glendale, Ariz. 85308

[**] Term: **14 Years**

[21] Appl. No.: **948,914**

[22] Filed: **Sep. 18, 1992**

[52] U.S. Cl. **D23/377; D23/379; D23/385**

[58] Field of Search **416/5; 362/96, 294; D23/377, 385, 379, 370, 328; D26/59, 81-86, 88**

[56] **References Cited**

U.S. PATENT DOCUMENTS

- D. 312,139 11/1990 Wang D26/51
- D. 312,687 12/1990 Mason et al. D23/377
- D. 315,946 4/1991 Hollbrook D23/377
- 4,729,725 3/1988 Markwardt 416/246
- 4,796,166 1/1989 Greenberg 362/96

FOREIGN PATENT DOCUMENTS

- 282900 2/1931 Italy .
- 134971 11/1919 United Kingdom .

OTHER PUBLICATIONS

Winnower World Wide, Inc. Cat. ©1987, p. 39, Light Kit 1084, middle of page.

Primary Examiner—Wallace R. Burke
Assistant Examiner—Lisa Lichtenstein

Attorney, Agent, or Firm—Steven G. Lisa; Peter C. Warner

[57] **CLAIM**

The ornamental design for a combined ceiling fan and light fixture, as shown and described.

DESCRIPTION

FIG. 1 is a perspective view of the combination of the present invention, showing a first embodiment of the new design;

FIG. 2 is a side elevation view of the embodiment shown in FIG. 1, on a reduced scale;

FIG. 3 is a top plan view of the embodiment shown in FIG. 1, on a reduced scale;

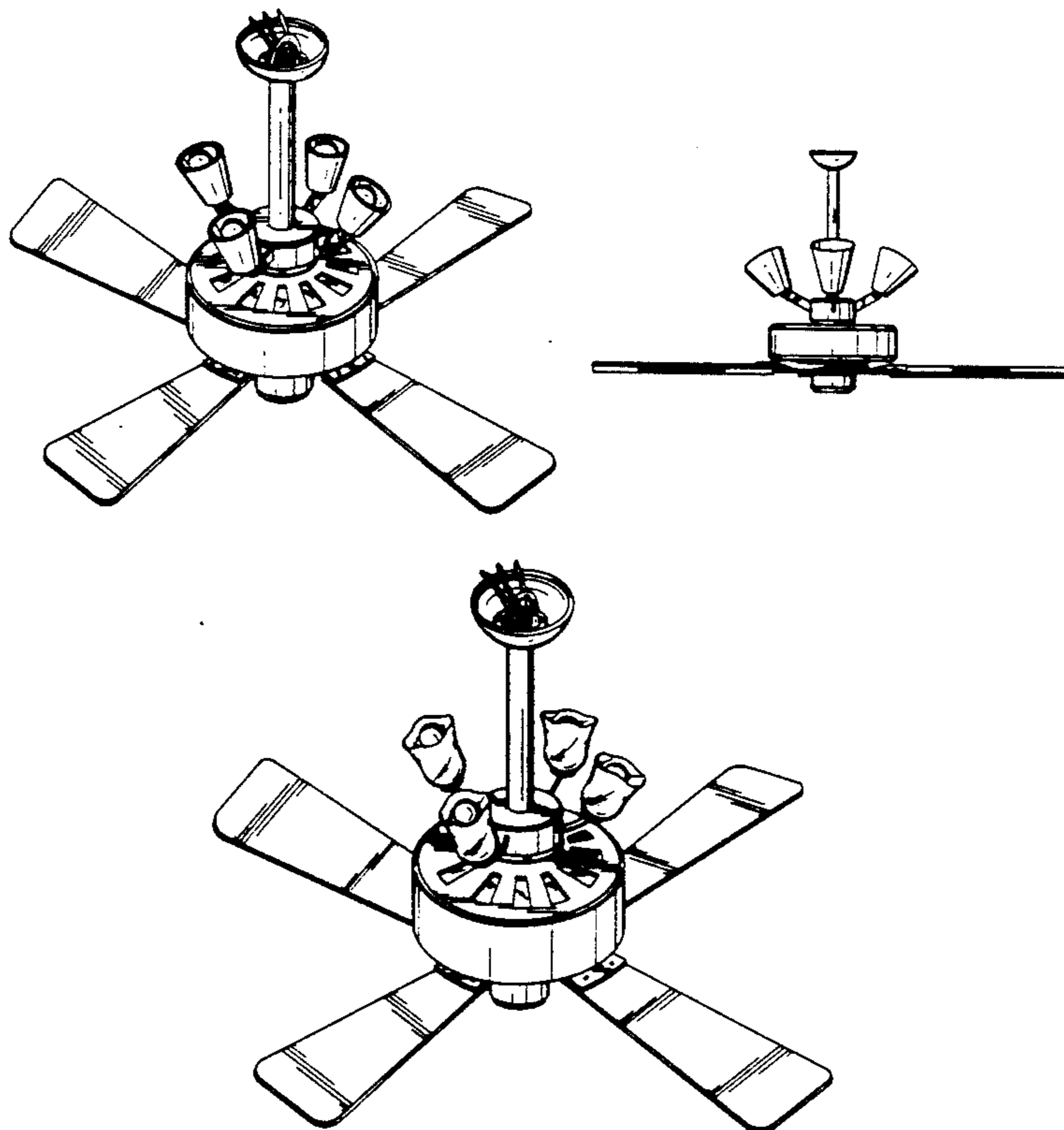
FIG. 4 is a bottom plan view of the embodiment shown in FIG. 1, on a reduced scale;

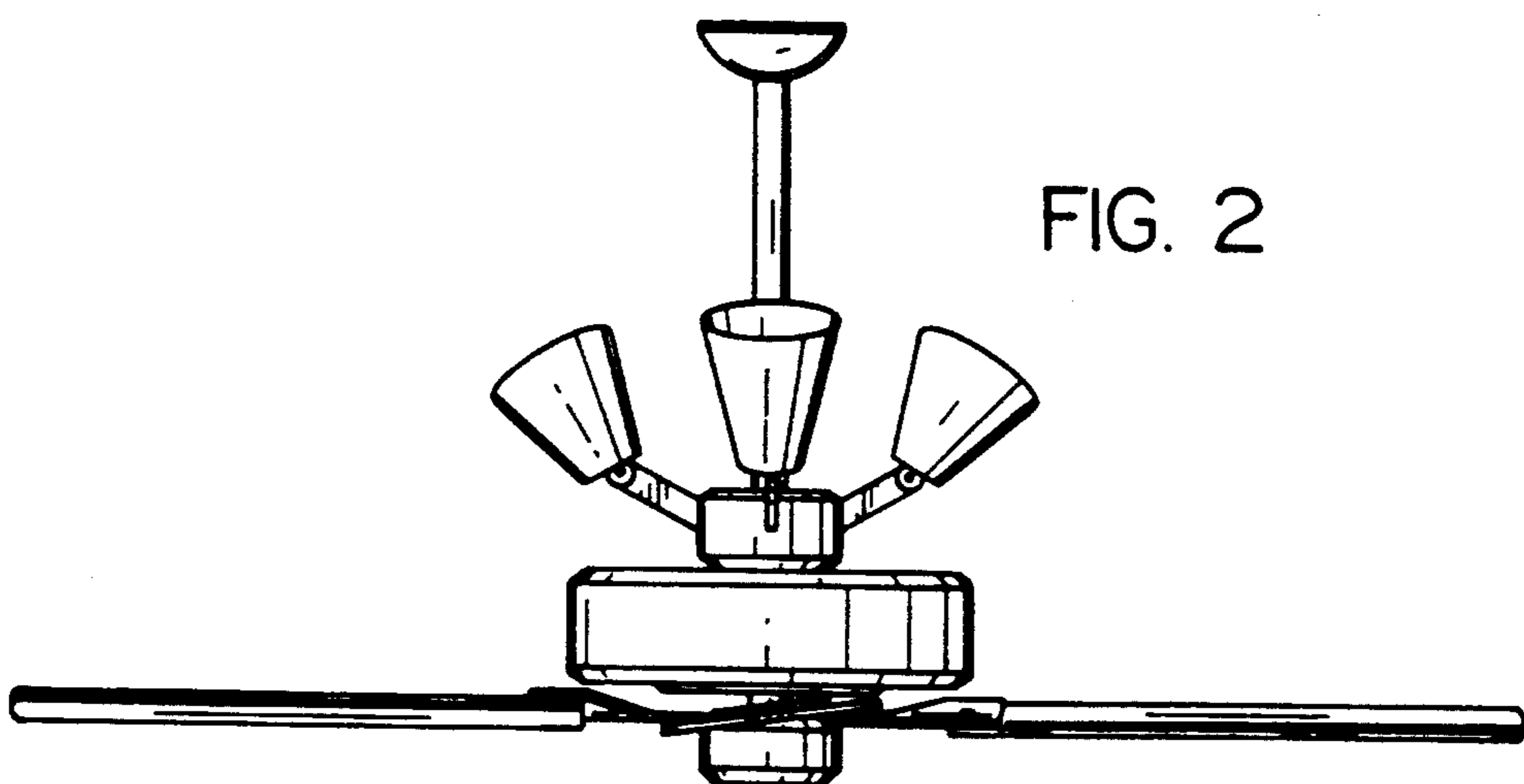
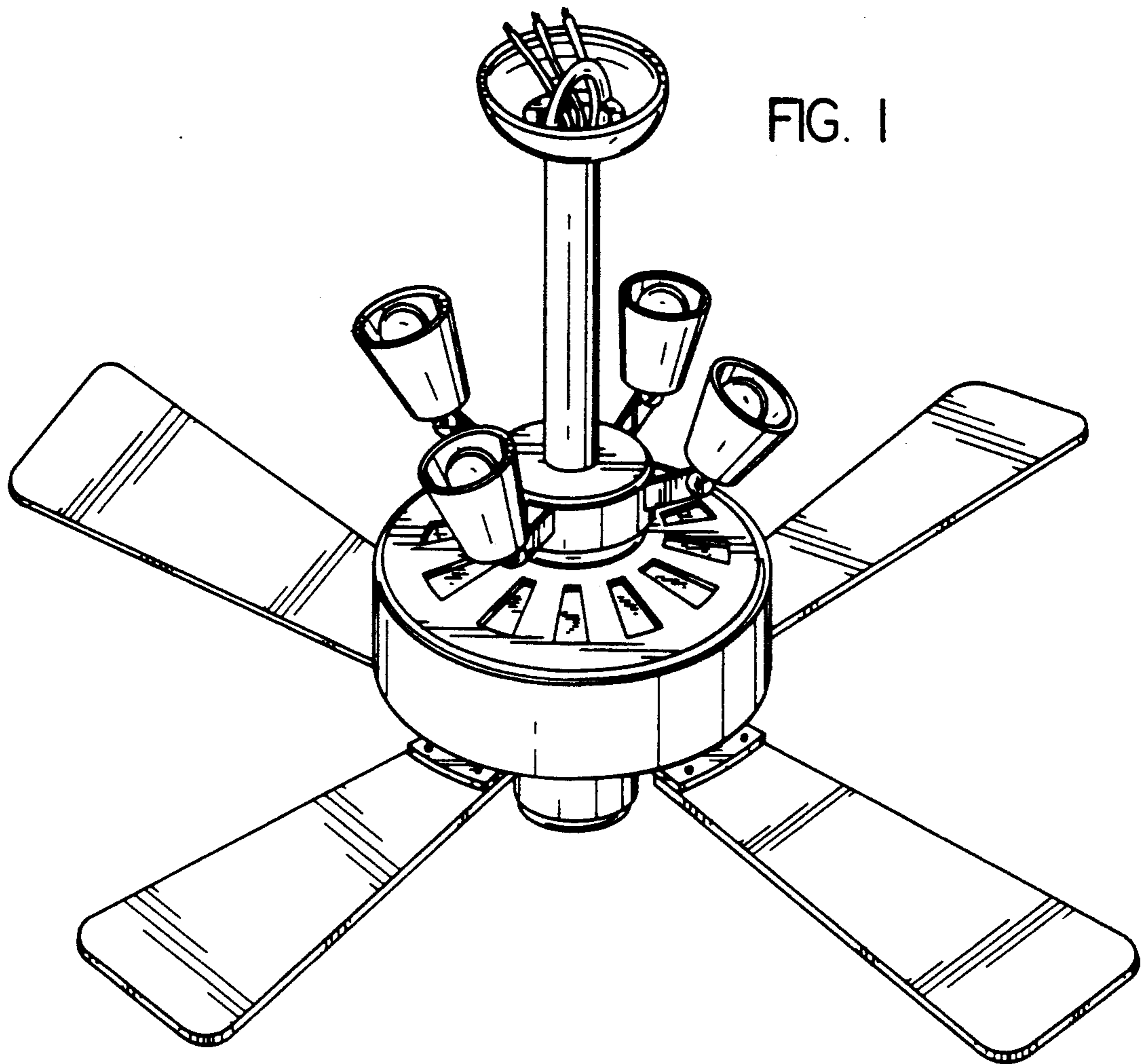
FIG. 5 is a perspective view of the embodiment shown in FIG. 1 with the light fixture portion of the design moved to a different location;

FIG. 6 is a perspective view of a second embodiment of the new design; and,

FIG. 7 is a perspective view of a third embodiment of the new design.

The sole difference between the first and third embodiments is the number of lights. The sole difference between the first and second embodiments is that the light fixtures are composed of transparent or semi-transparent (e.g., frosted) glass material in a petal-type design (FIG. 6), as opposed to solid-metal canister-type lights. FIG. 5 indicates that the lighting assembly may be moved along the down-rod a distance from the fan assembly.





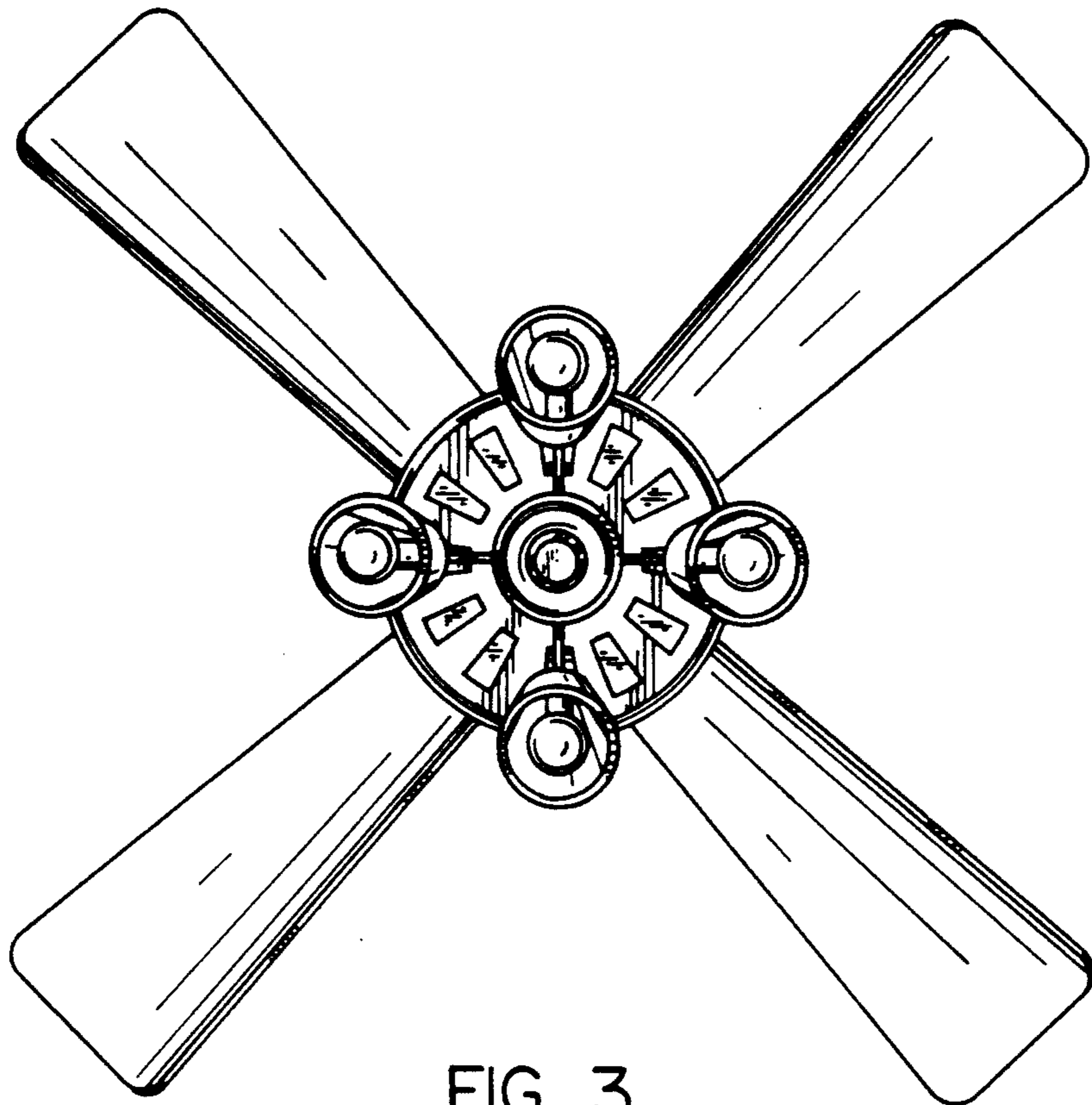


FIG. 3

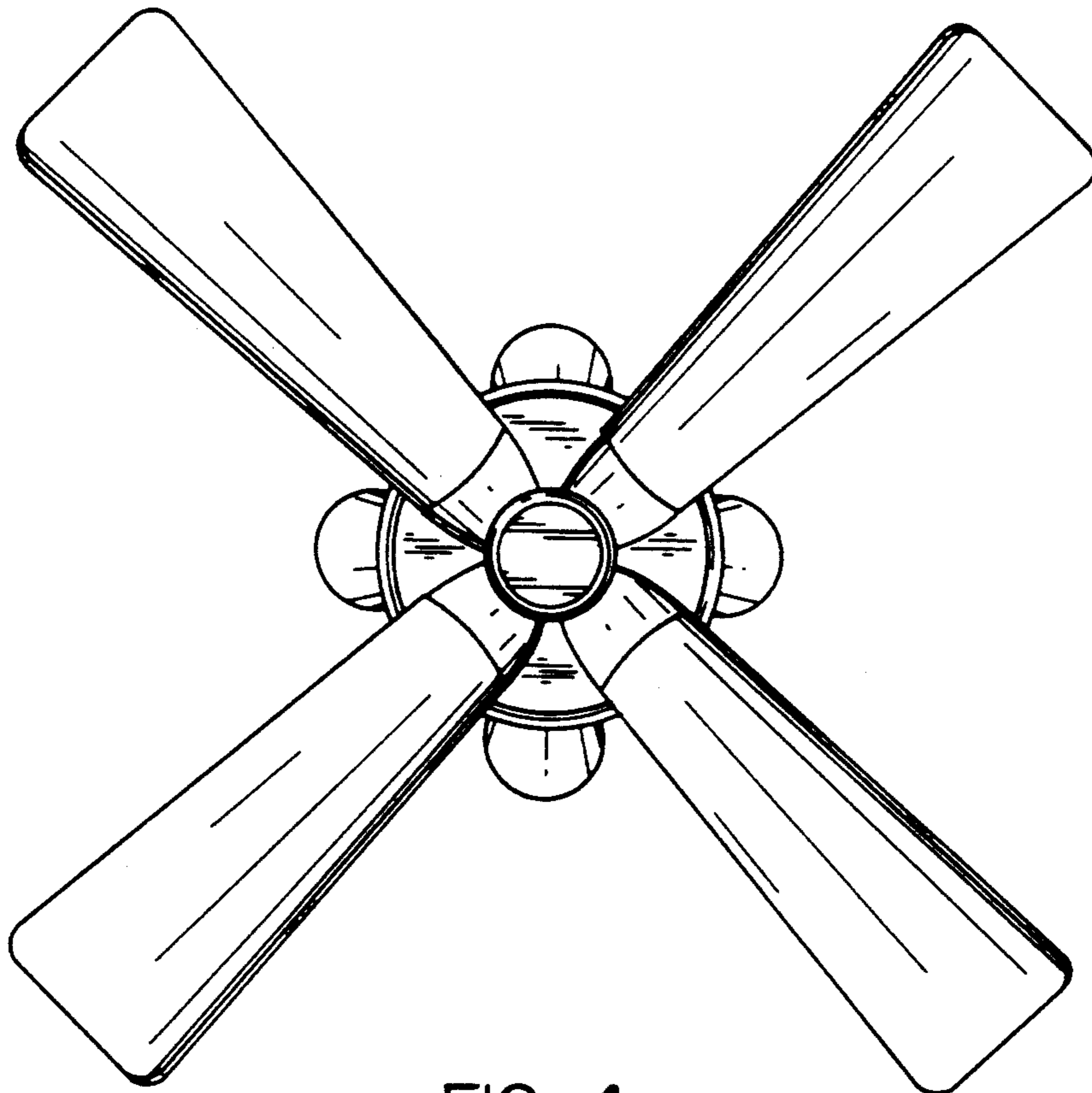


FIG. 4

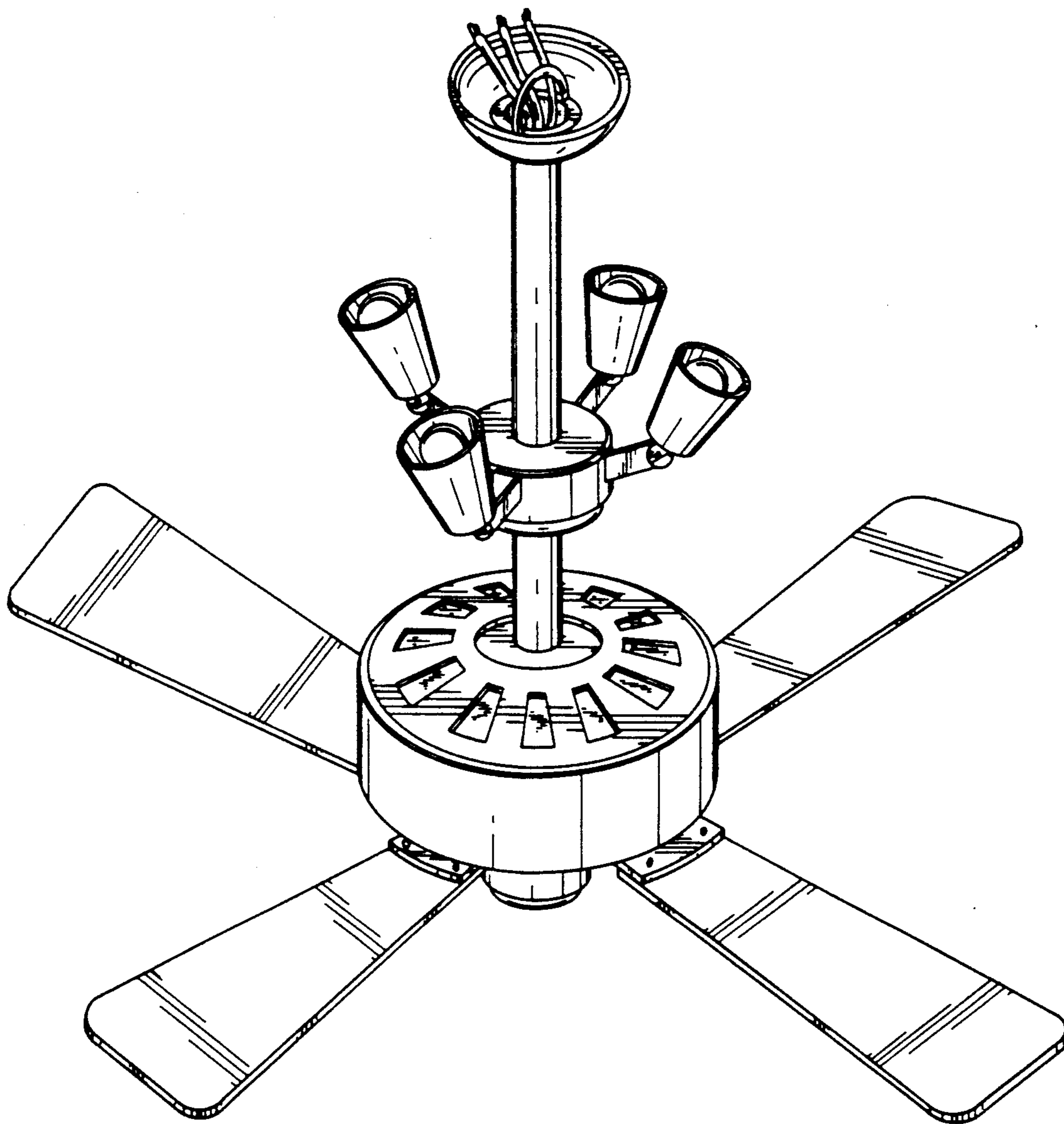


FIG. 5

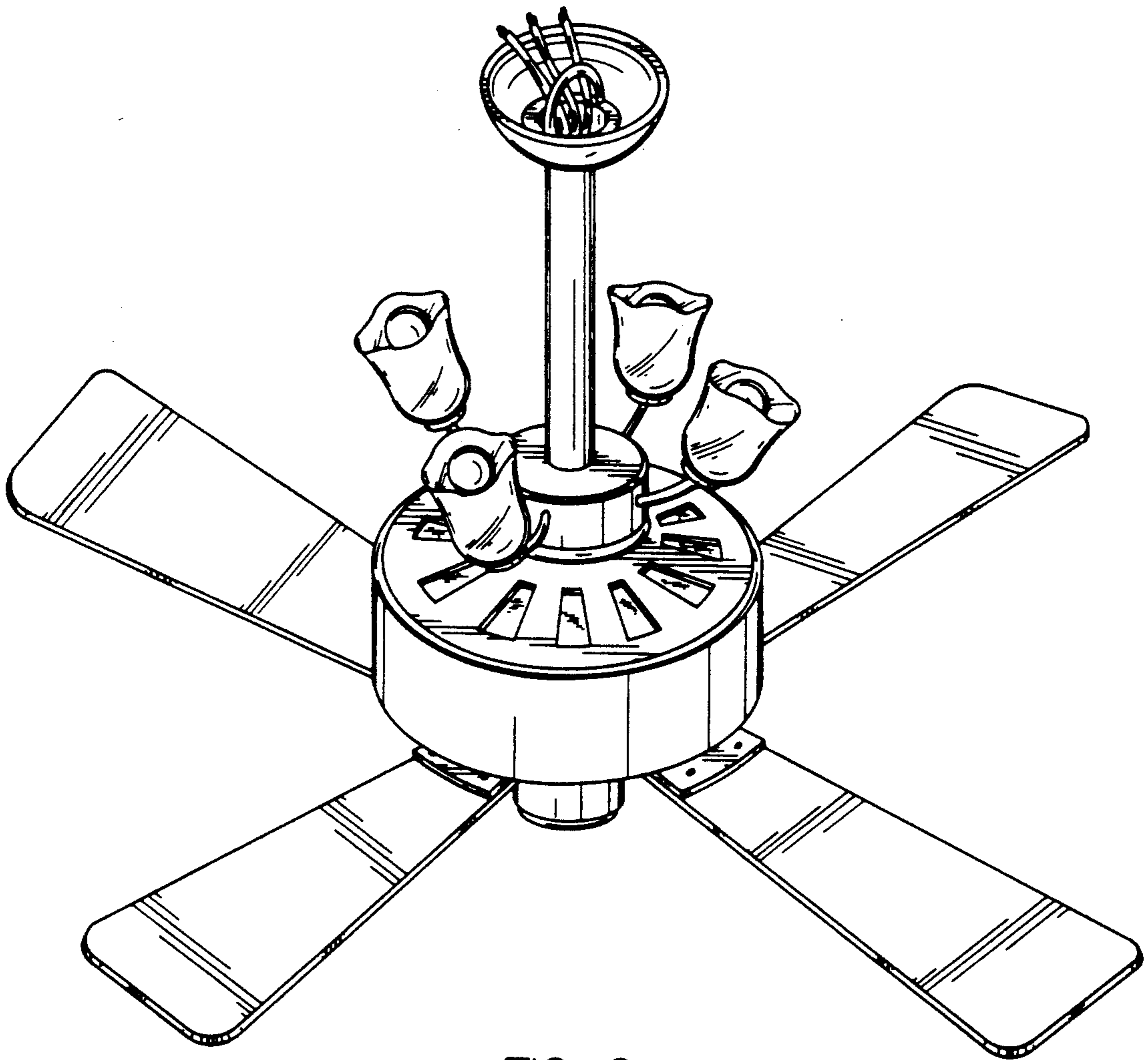


FIG. 6

