



US00D344785S

United States Patent [19]

[11] Patent Number: **Des. 344,785**

Brown et al.

[45] Date of Patent: **** Mar. 1, 1994**

[54] VALVE

[75] Inventors: **Cal R. Brown, Euclid; Lawrence A. Kohler, Willoughby Hills; Peter C. Williams, Cleveland Heights, all of Ohio**

[73] Assignee: **Whitey Co., Highland Hts., Ohio**

[**] Term: **14 Years**

[21] Appl. No.: **765,107**

[22] Filed: **Sep. 25, 1991**

[52] U.S. Cl. **D23/245**

[58] Field of Search **137/385; 251/286-288, 251/309, 315; D23/233-237, 244-249**

[56] **References Cited**

U.S. PATENT DOCUMENTS

D. 88,613	12/1932	Allen	D23/245
D. 297,971	10/1988	Kiyota et al.	D23/245
D. 299,521	1/1989	Kiyota et al.	D23/245
2,931,380	4/1960	Mueller et al.	251/287 XY

4,130,129	12/1978	Pollock	137/385
4,460,153	7/1984	Williams	137/385 XY
4,671,308	6/1987	Williams et al.	251/315 XY
4,718,444	1/1988	Boelte	251/315 XY
4,750,708	6/1988	Yusko, Jr. et al.	251/315
4,792,118	12/1988	Yusko, Jr. et al.	251/315
5,104,092	4/1992	Block et al.	215/315 XY

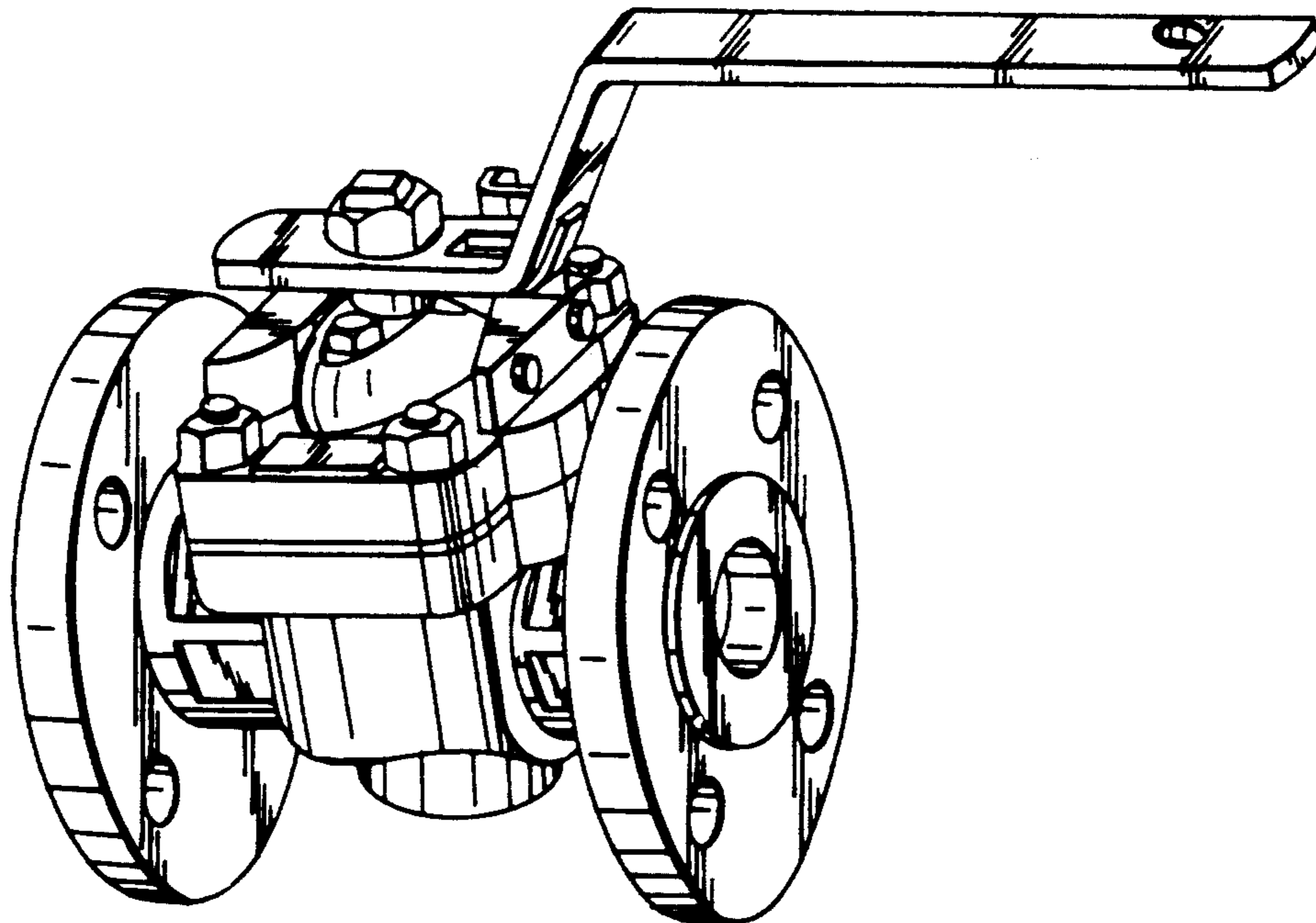
Primary Examiner—James R. Largen
Attorney, Agent, or Firm—Fay, Sharpe, Beall, Fagan, Minnich & McKee

[57] **CLAIM**

The ornamental design for a valve, as shown.

DESCRIPTION

FIG. 1 is a pictorial view of a valve showing our new design;
FIG. 2 is a front elevational view thereof;
FIG. 3 is a top plan view thereof;
FIG. 4 is a rear elevational view thereof;
FIG. 5 is a right side elevational view thereof;
FIG. 6 is a left side elevational view thereof; and,
FIG. 7 is a bottom plan view thereof.



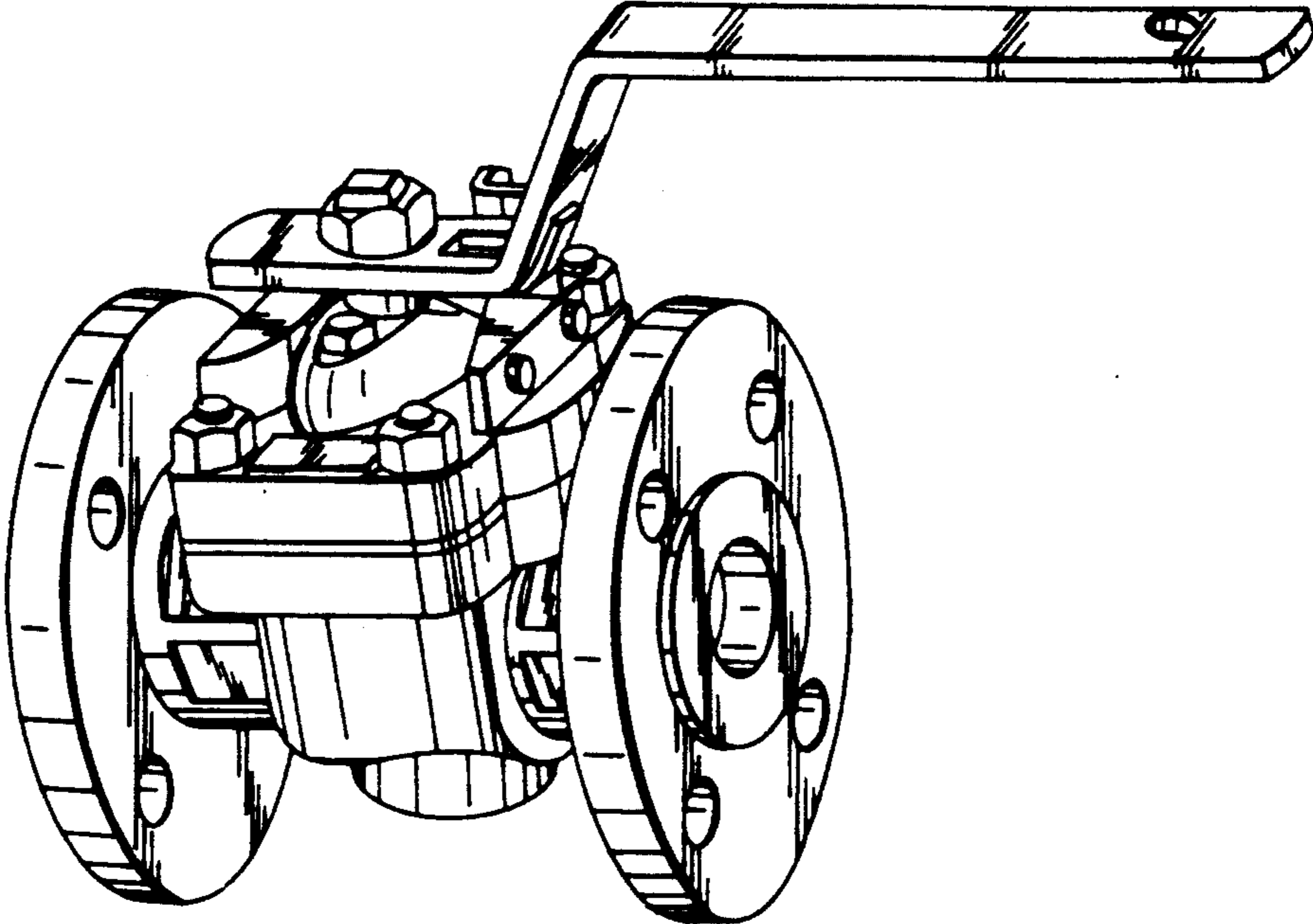


Fig. 1

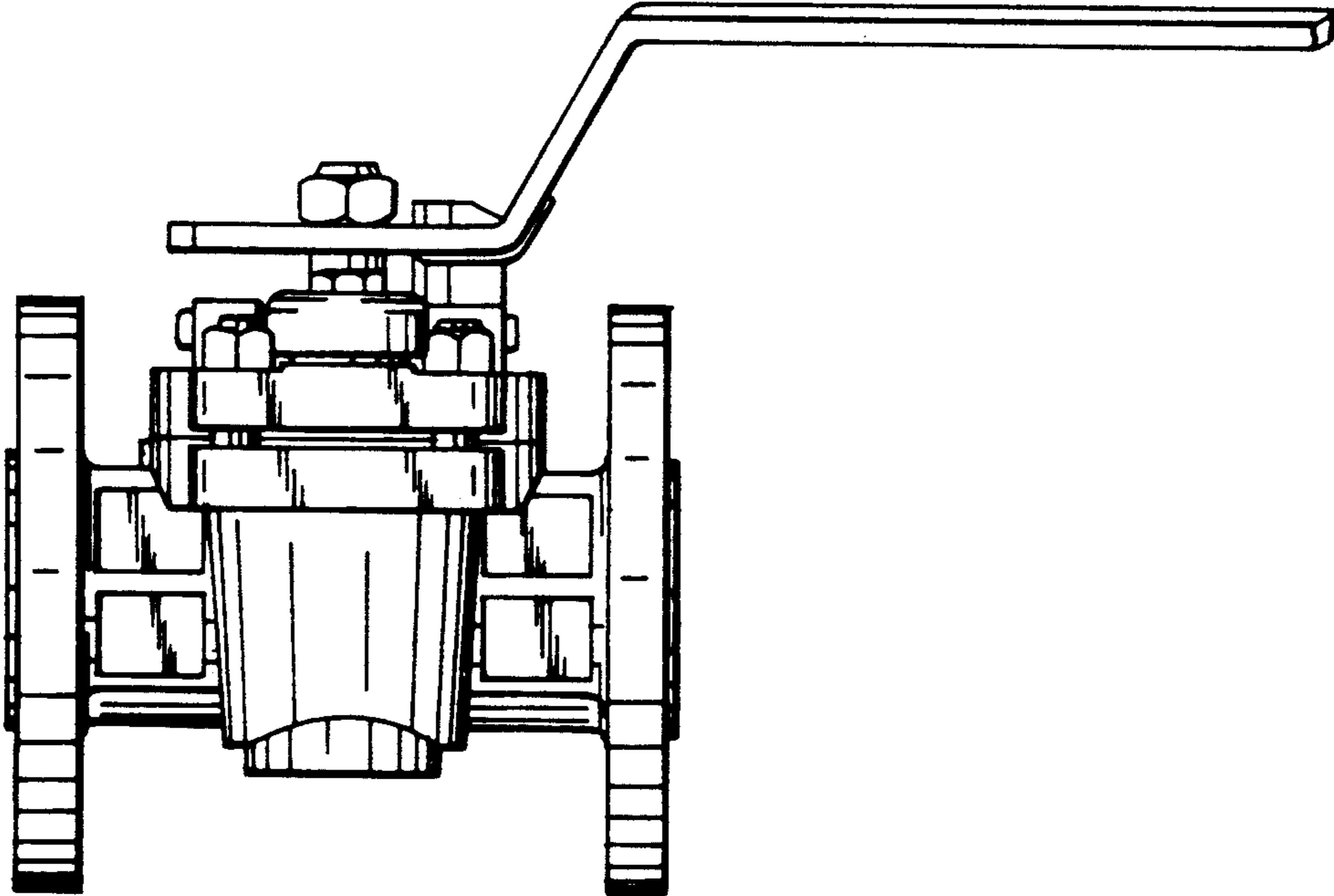


Fig. 2

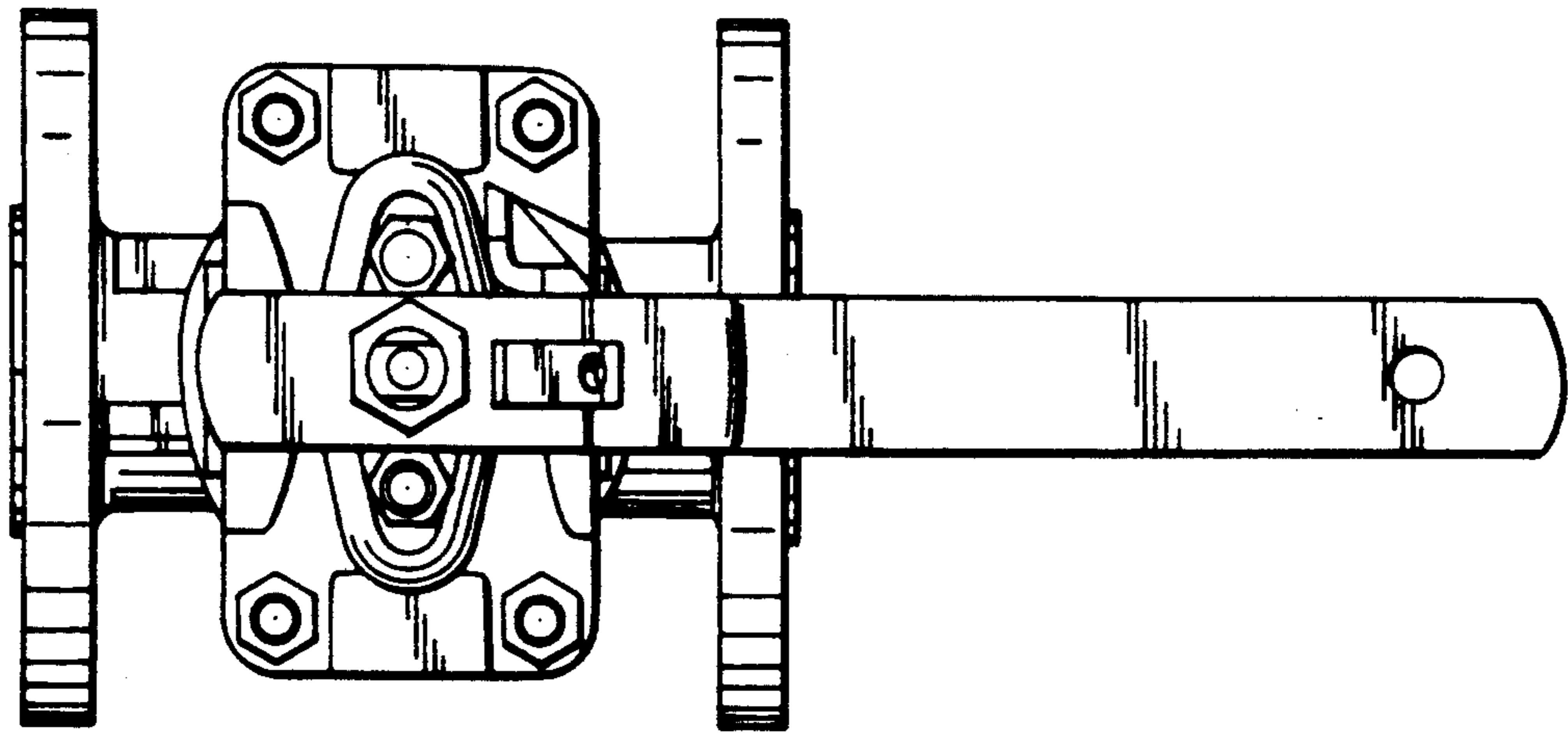


Fig. 3

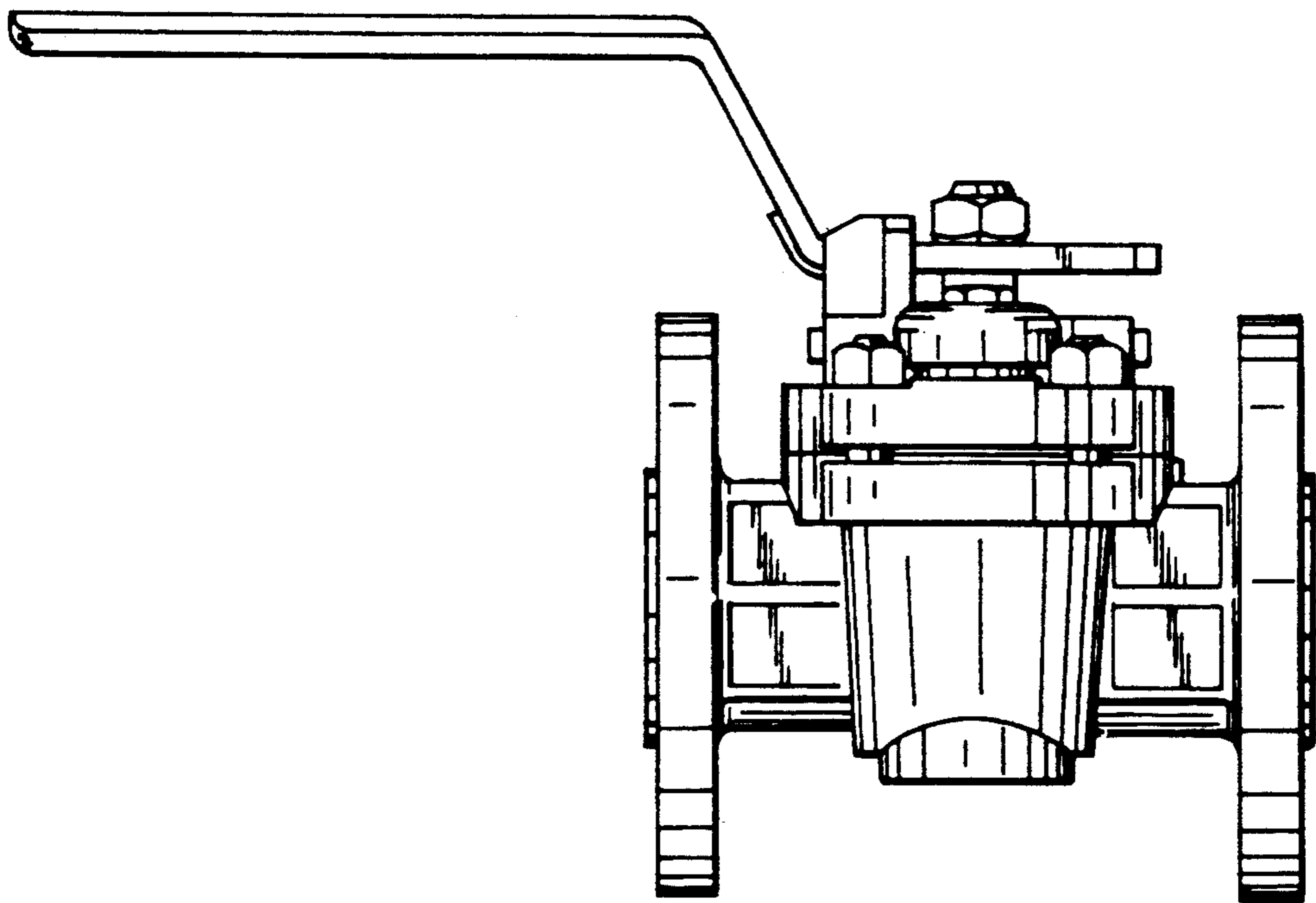


Fig. 4

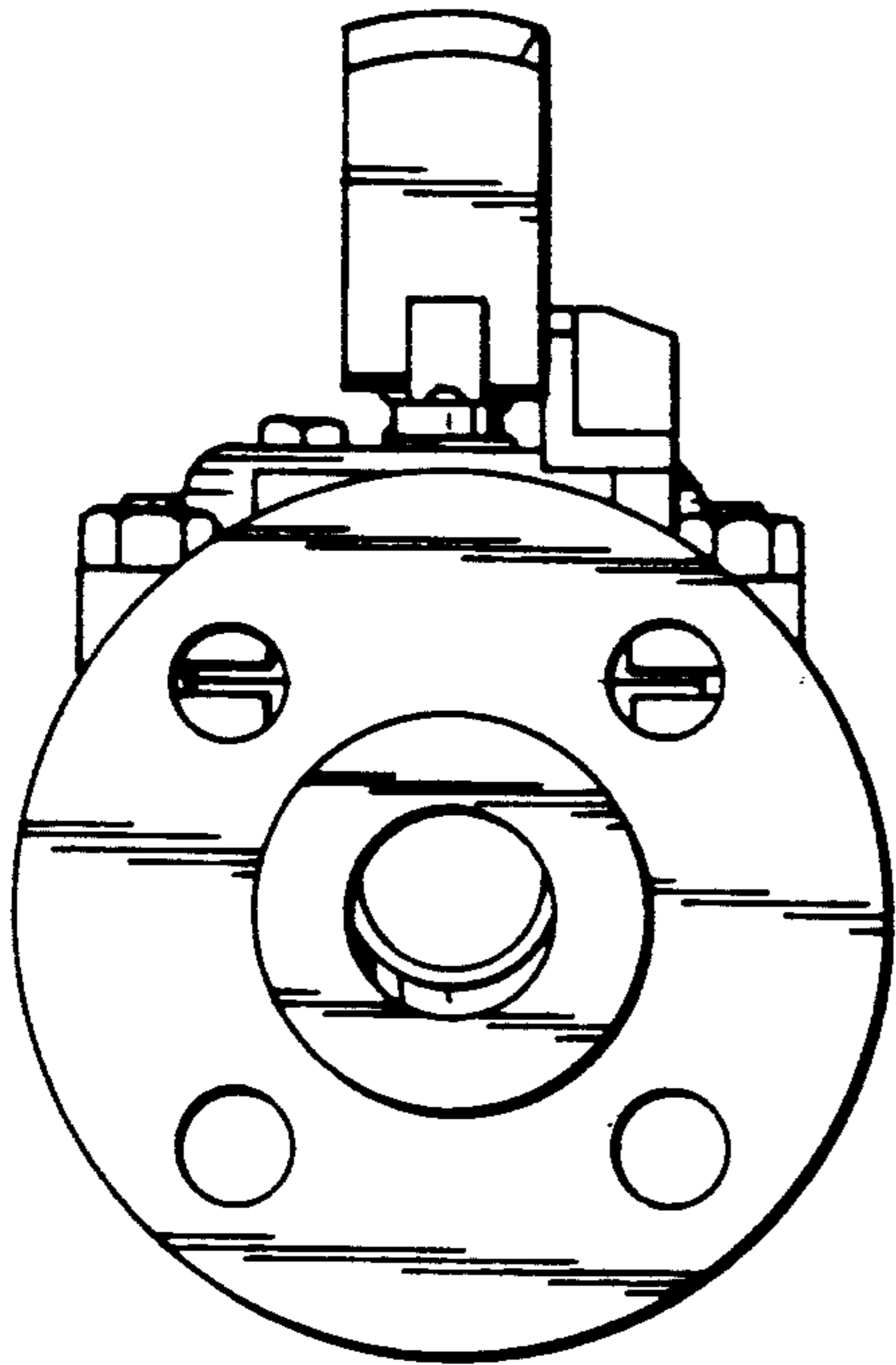


Fig. 5

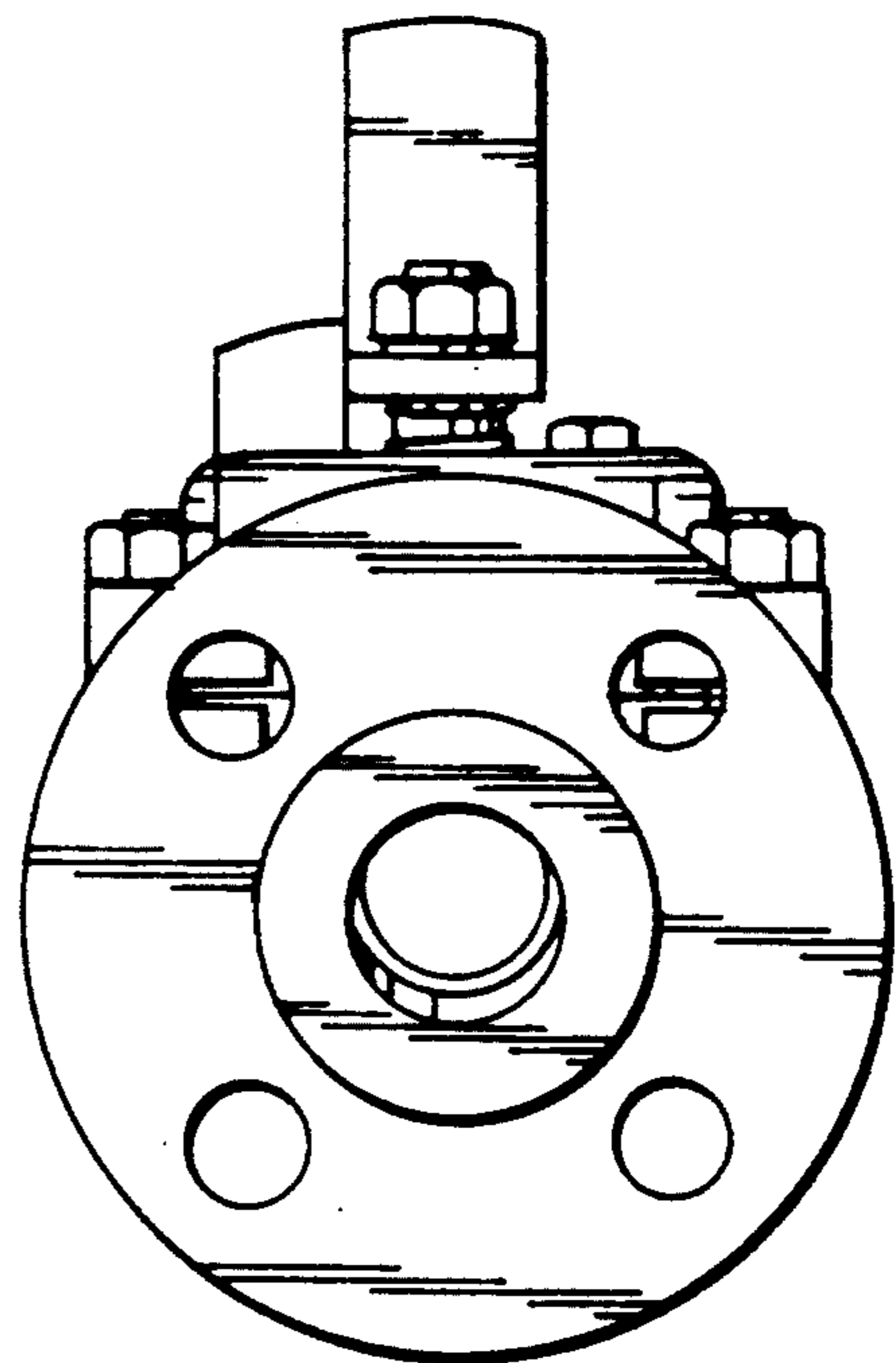


Fig. 6

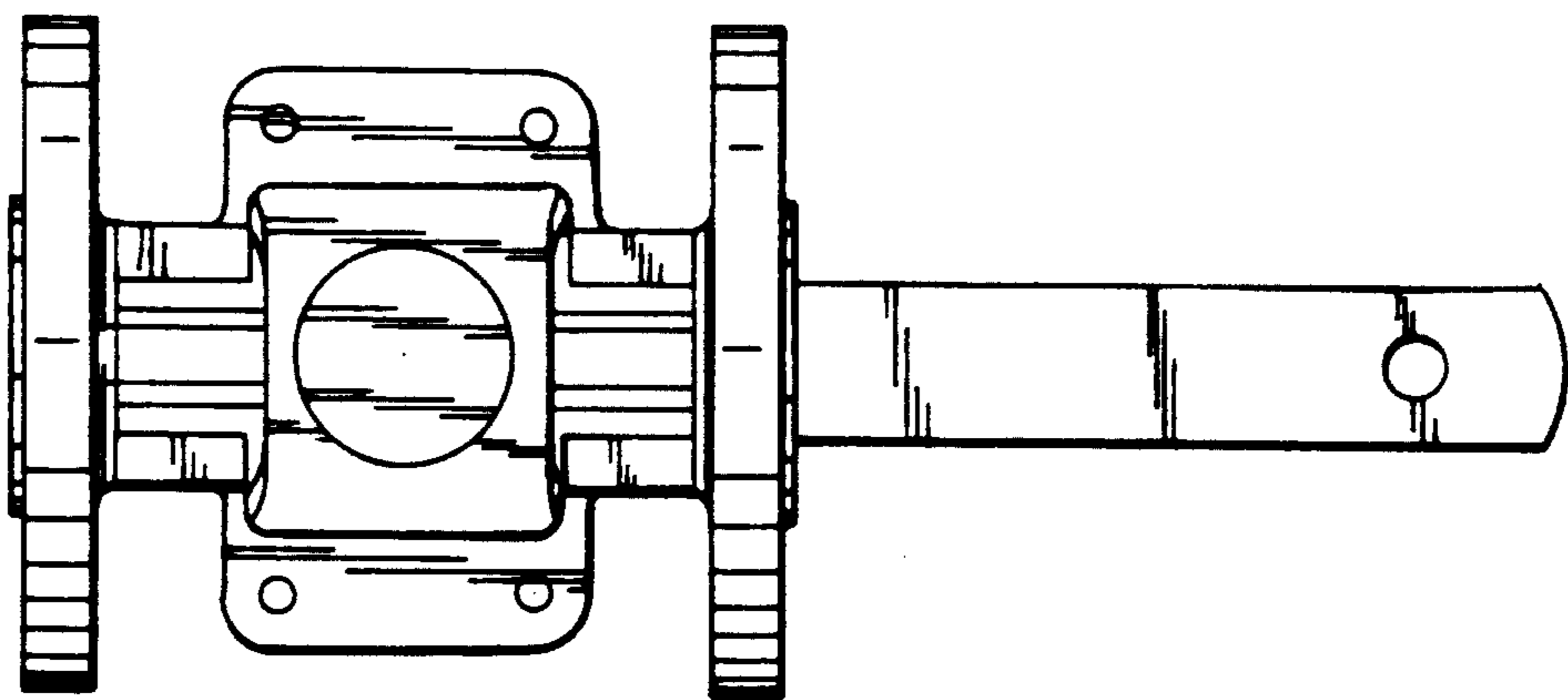


Fig. 7