



US00D344780S

United States Patent [19]

[11] Patent Number: Des. 344,780

Jenkins

[45] Date of Patent: ** Mar. 1, 1994

[54] SUPPLEMENTAL AMMUNITION CONTAINER FOR GUN MAGAZINE

[76] Inventor: Joel C. Jenkins, 1050 Nash Ave., Lansdale, Pa. 19446

[**] Term: 14 Years

[21] Appl. No.: 903,869

[22] Filed: Jun. 25, 1992

[52] U.S. Cl. D22/108

[58] Field of Search 42/49.01, 50, 6; D22/108

[56] **References Cited**

U.S. PATENT DOCUMENTS

| | | | | |
|------------|---------|-----------------|-------|---------|
| 35,425 | 12/1901 | Johnson | | D22/108 |
| D. 231,735 | 6/1974 | Riedl | | D22/108 |
| D. 241,837 | 10/1976 | Sofinowski, III | | D22/108 |
| D. 243,174 | 1/1977 | Sofinowski | | D22/108 |
| D. 290,866 | 7/1987 | Chesnut | | D22/108 |
| 2,137,491 | 11/1938 | Huff | | 42/50 |
| 2,429,831 | 10/1947 | Lippert et al. | | 42/50 |
| 3,395,479 | 8/1968 | Collins | | 42/50 |
| 3,952,441 | 4/1976 | Tant | | 42/50 |
| 4,514,922 | 5/1985 | Farrar et al. | | 42/50 |

Primary Examiner—A. Hugo Word
Assistant Examiner—R. Seifert
Attorney, Agent, or Firm—John W. Logan, Jr.

[57] **CLAIM**

The ornamental design for supplemental ammunition container for gun magazine, as shown and described.

DESCRIPTION

FIG. 1 is a bottom perspective view of a supplemental ammunition container for gun magazine showing my new design shown in an exploded position from a gun magazine, the broken line showing of a gun and gun magazine is for illustrative purposes only and forms no part of the claimed design;

FIG. 2 is an enlarged perspective view;

FIG. 3 is a top plan view of FIG. 2;

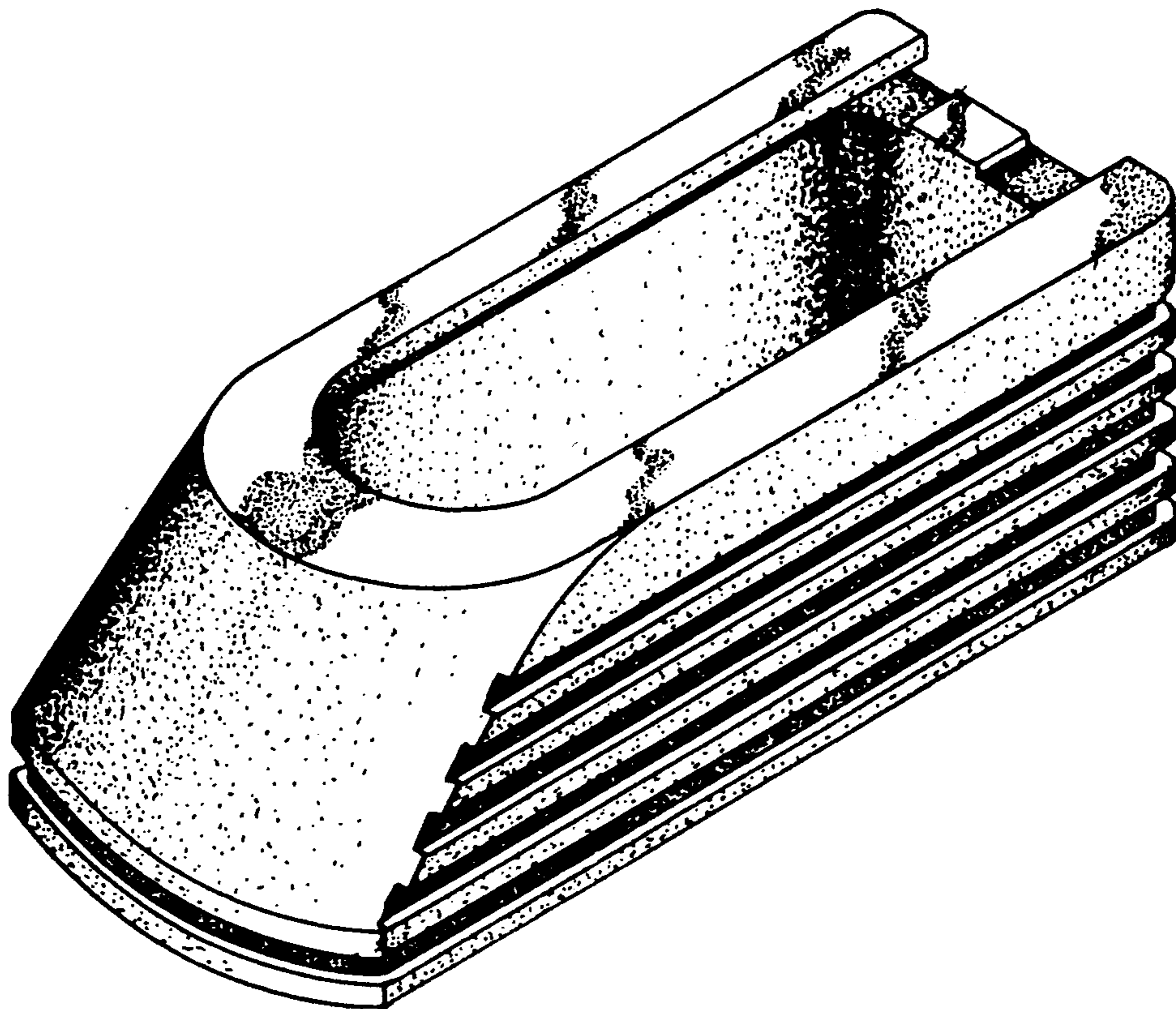
FIG. 4 is a bottom plan view of FIG. 2;

FIG. 5 is a left side elevational view of FIG. 2, the right side being a mirror image thereof;

FIG. 6 is a front elevational view of FIG. 2; and,

FIG. 7 is a rear elevational view of FIG. 2.

The broken line showing of a pistol and hands is for illustrative purposes only and forms no part of the claimed design.



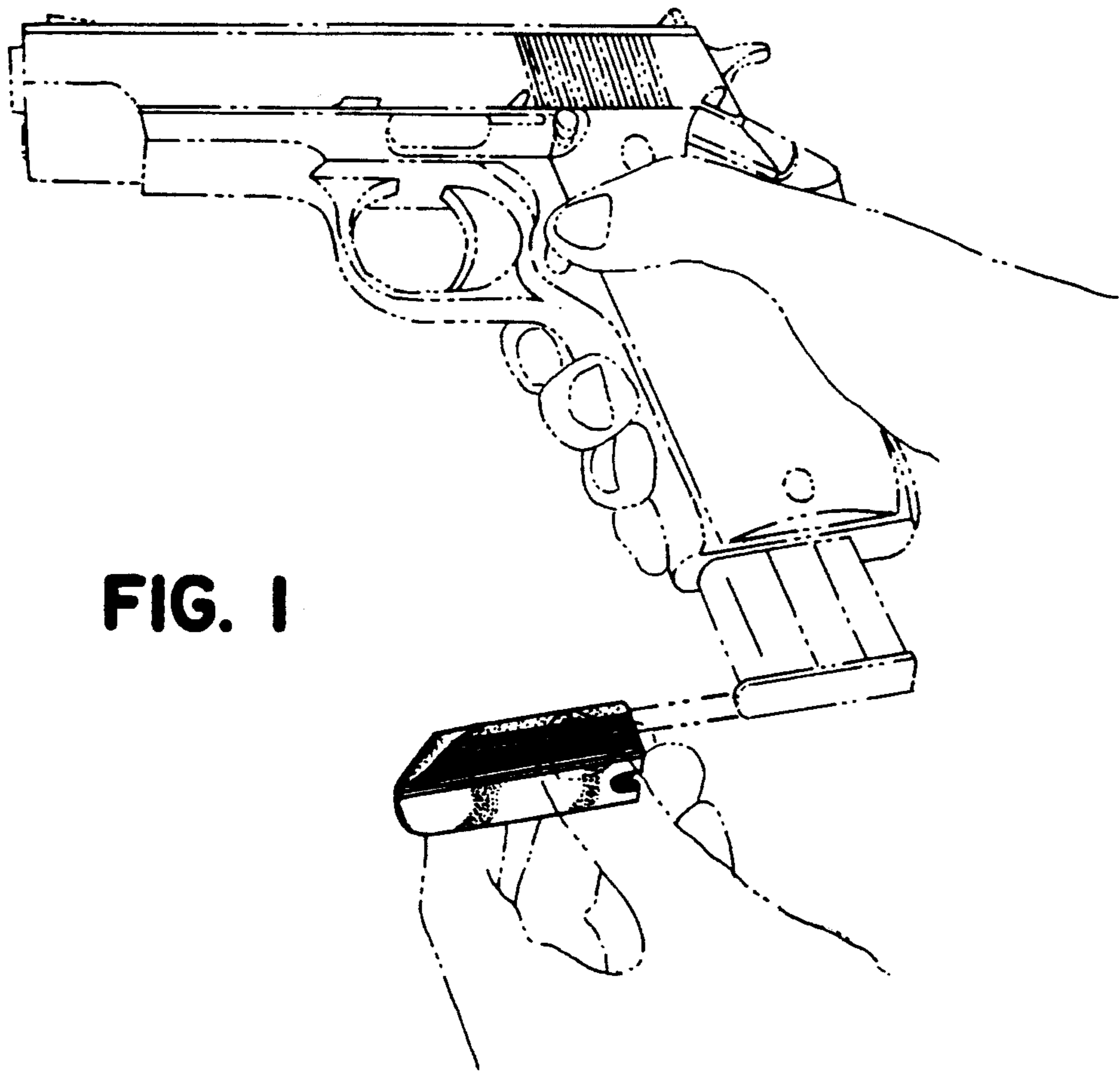
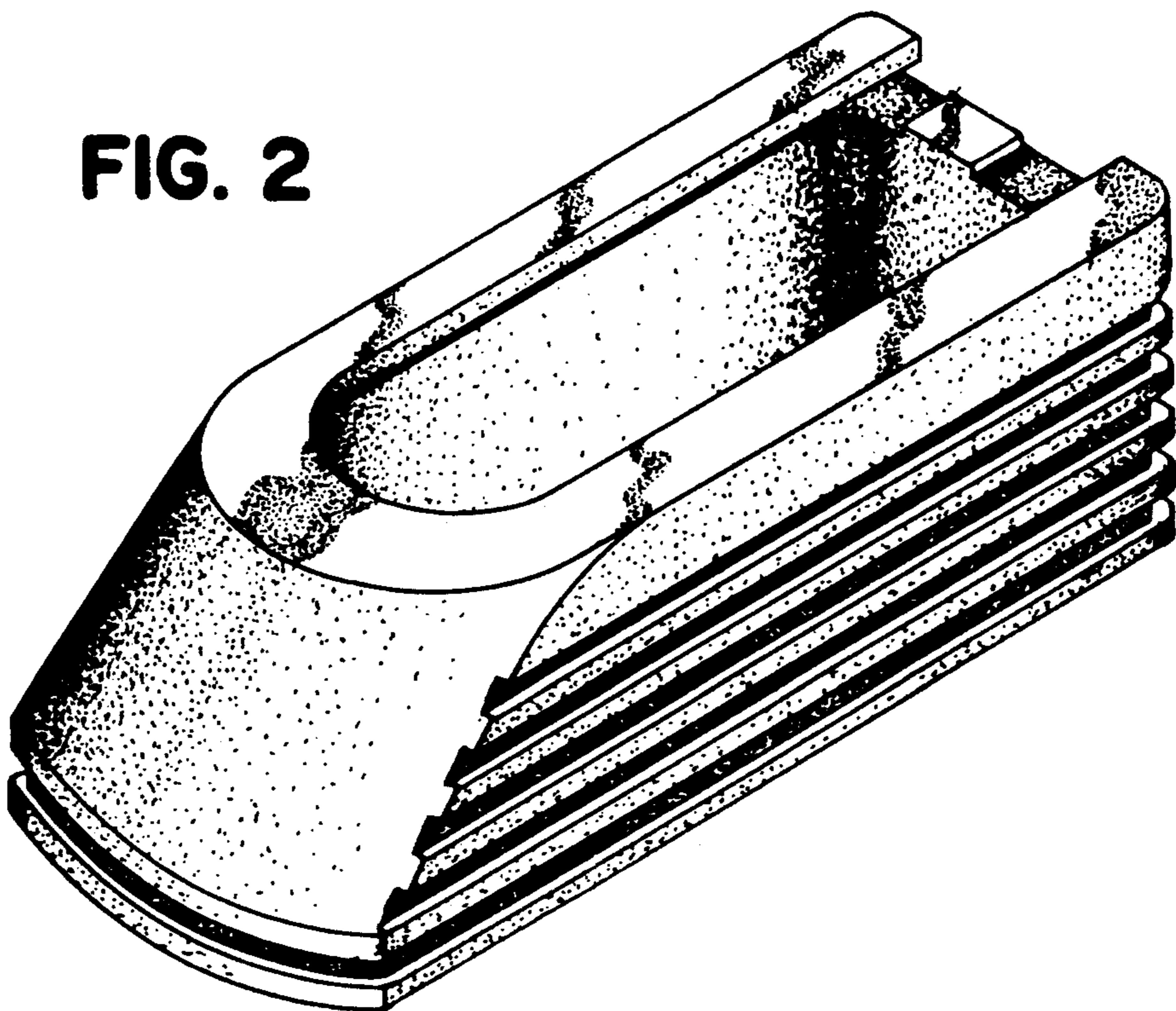


FIG. 2



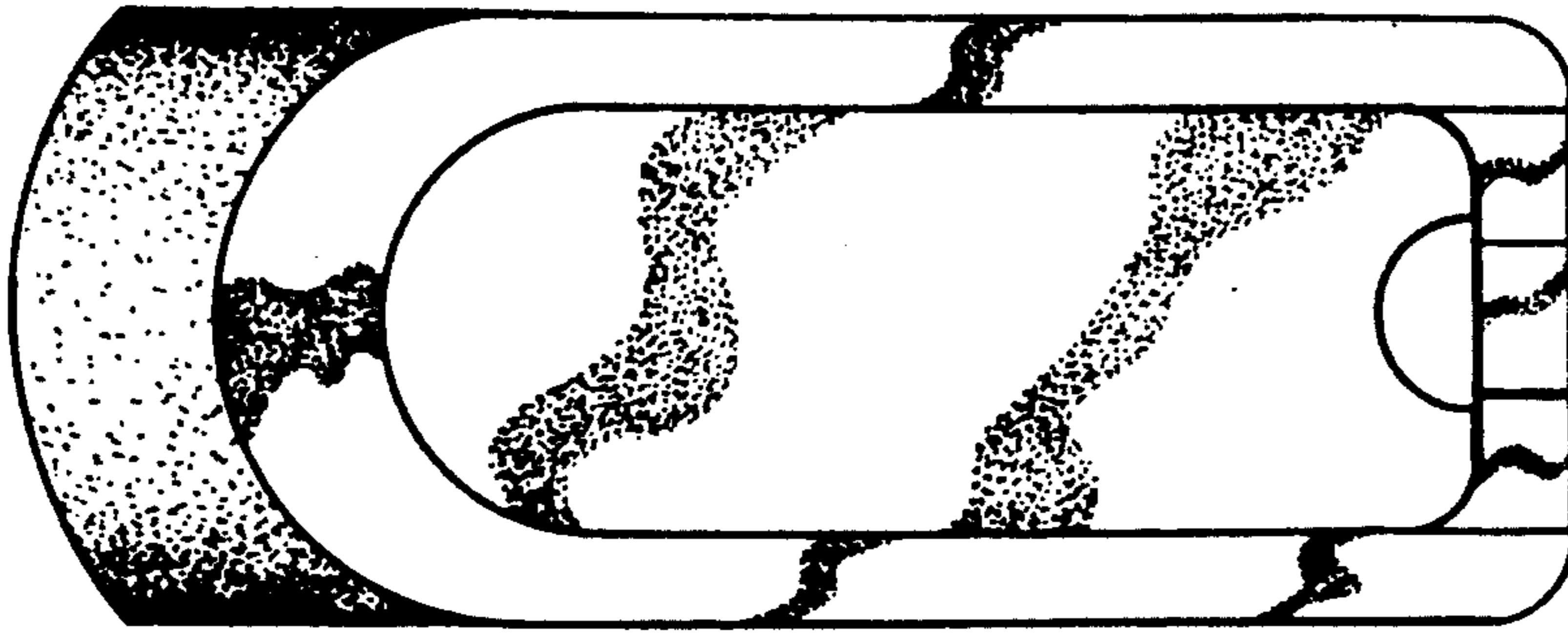


FIG. 3

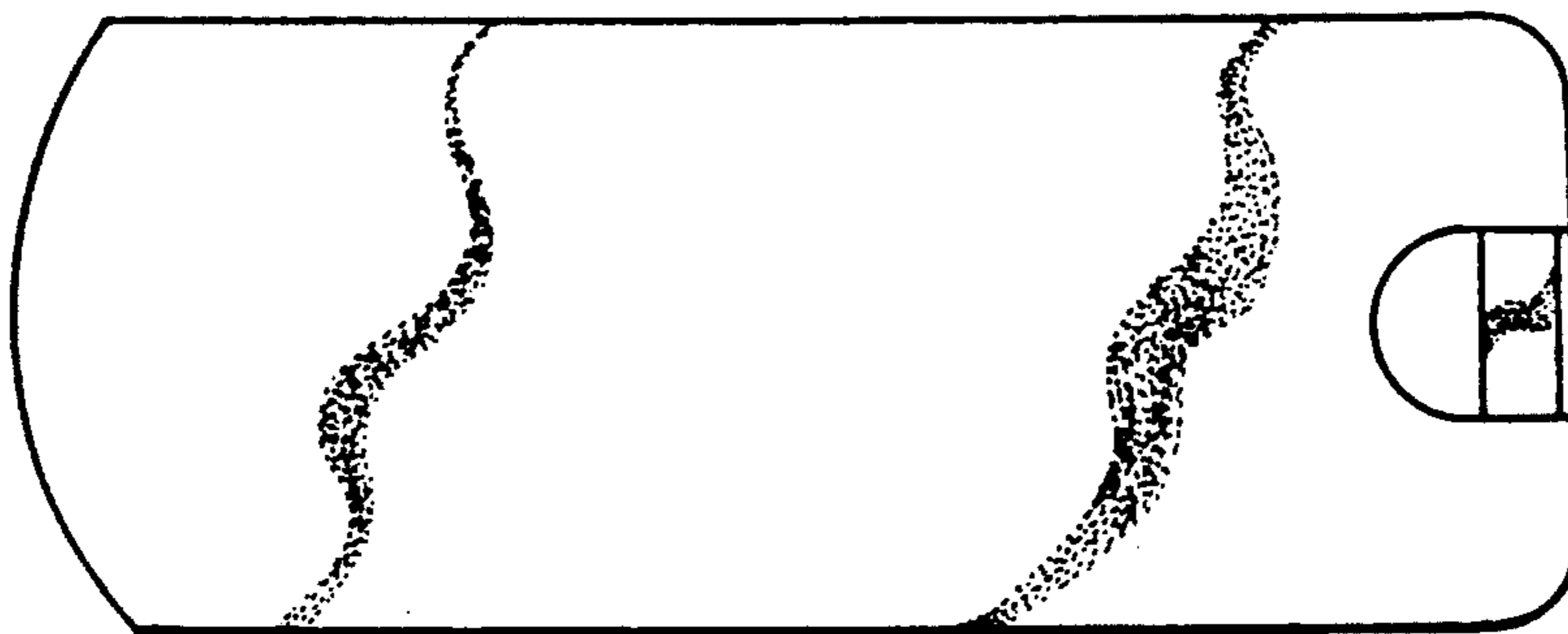


FIG. 4

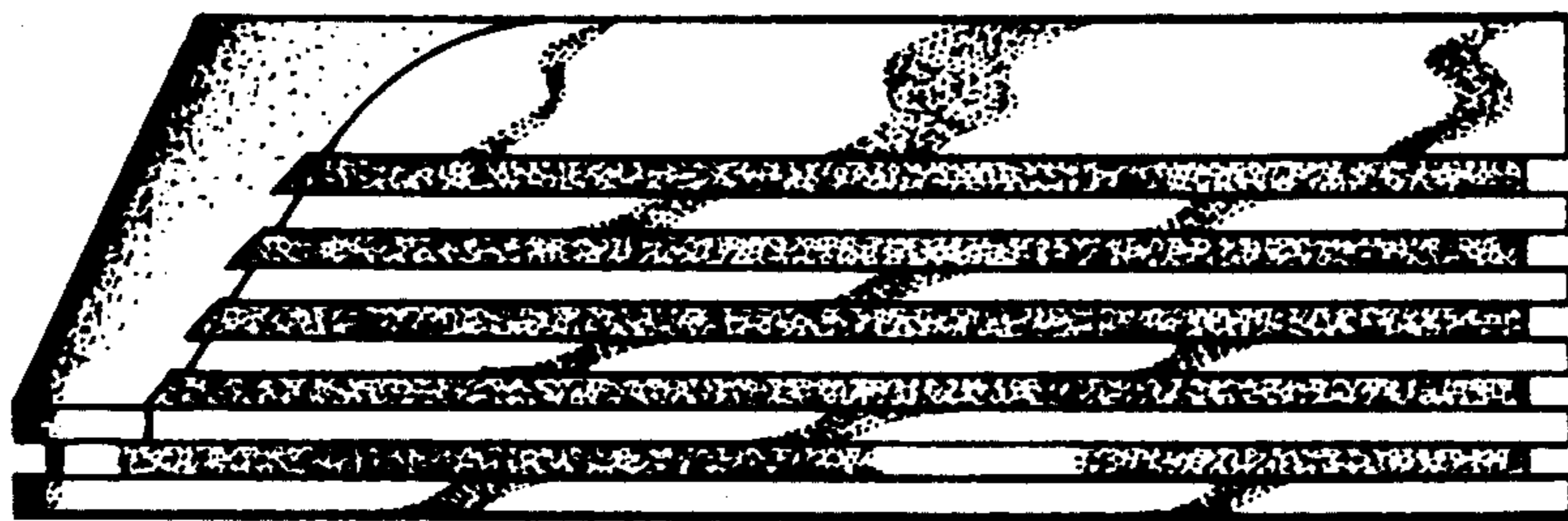


FIG. 5

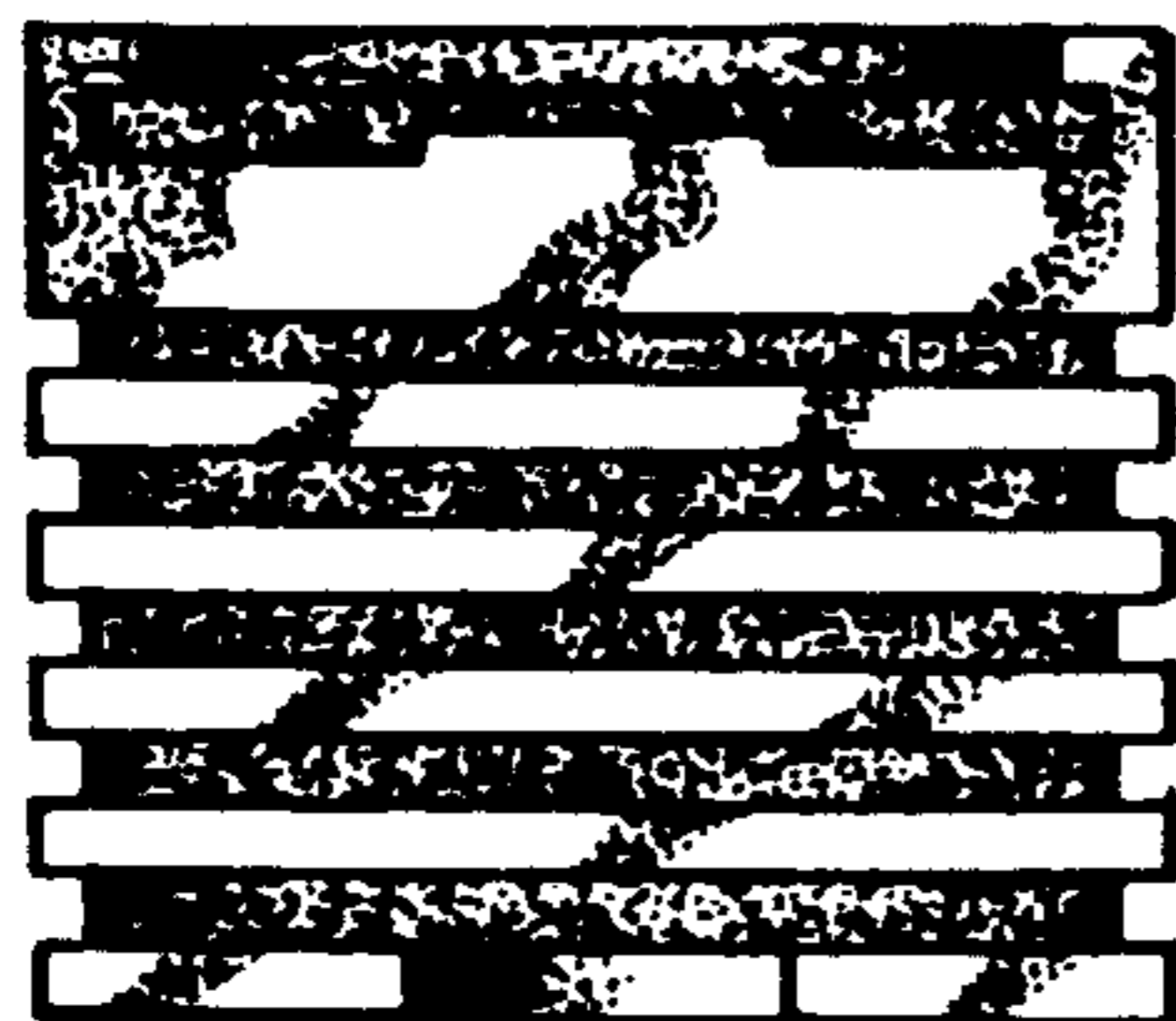


FIG. 7

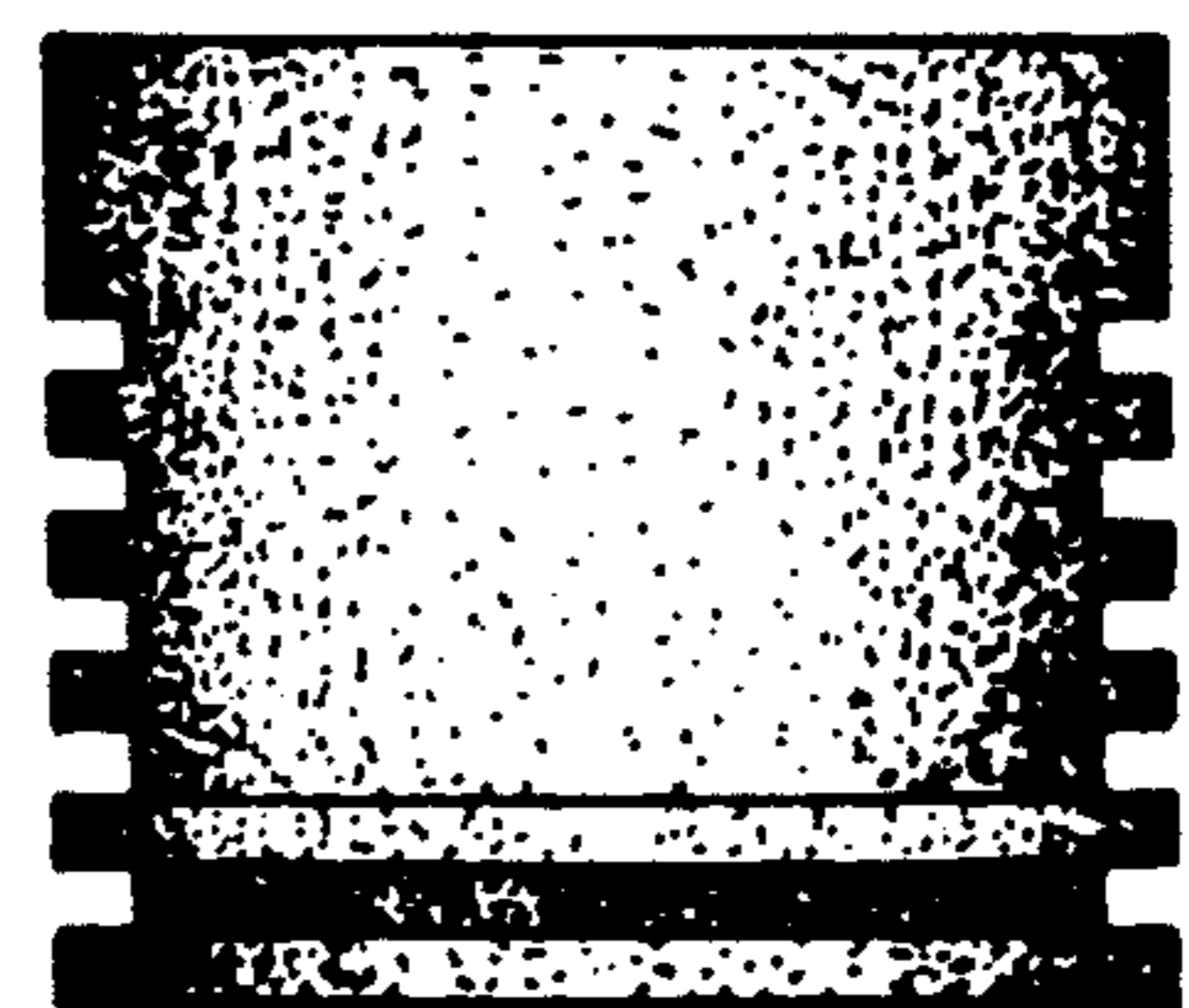


FIG. 6