



US00D344774S

United States Patent [19]

[11] Patent Number: **Des. 344,774**

Lertyaovarit

[45] Date of Patent: **** Mar. 1, 1994**

[54] **EXCERCISE CYCLING MACHINE**

- D. 309,337 7/1990 Yang D21/194
- D. 310,697 9/1990 Kagayama D21/194
- D. 311,047 10/1990 Carnielli D21/194
- D. 318,890 8/1991 Klose et al. D21/194
- D. 323,368 1/1992 Whitesel D21/194

[75] Inventor: **Prakit Lertyaovarit**, Montebello, Calif.

[73] Assignee: **Krane Industry Corp.**, Taipei, Taiwan

Primary Examiner—Bernard Ansher
Assistant Examiner—Philip Hyder

[**] Term: **14 Years**

[21] Appl. No.: **940,710**

[57] CLAIM

[22] Filed: **Sep. 4, 1992**

The ornamental design for a excercise cycling machine, as shown and described.

[52] U.S. Cl. **D21/194**

[58] Field of Search 482/57, 58, 59, 63;
D21/191, 194, 195

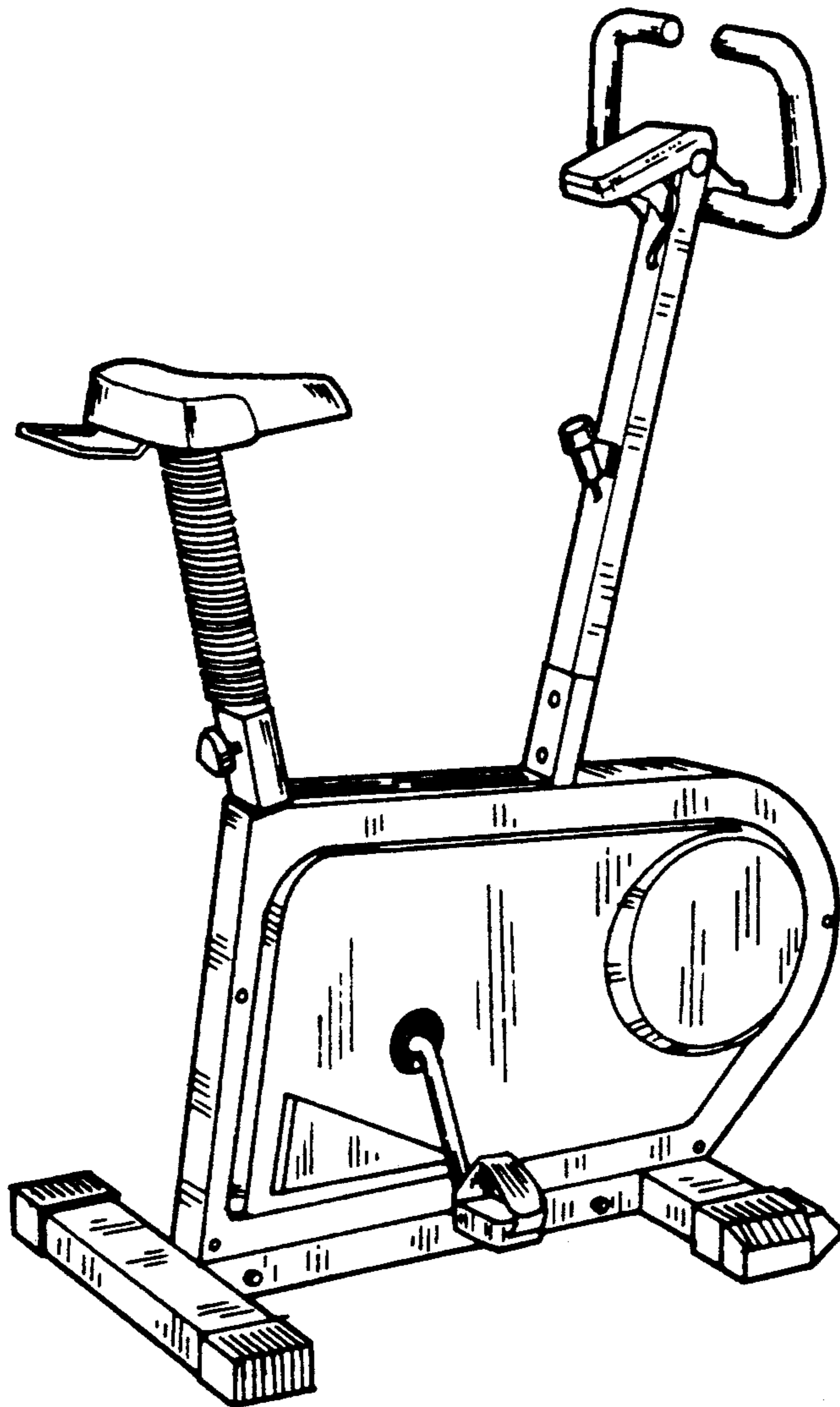
DESCRIPTION

[56] References Cited

U.S. PATENT DOCUMENTS

- D. 301,160 5/1989 Hung D21/194
- D. 301,729 6/1989 Capion D21/194
- D. 309,335 7/1990 Yang D21/194
- D. 309,336 7/1990 Yang D21/194

FIG. 1 is a perspective view of an exercise cycling machine showing my new design; FIG. 2 is a bottom plan view thereof; FIG. 3 is a top plan view thereof; FIG. 4 is a right side elevational view thereof; FIG. 5 is a left side elevational view thereof; FIG. 6 is a front elevational view thereof; and, FIG. 7 is a rear elevational view thereof.



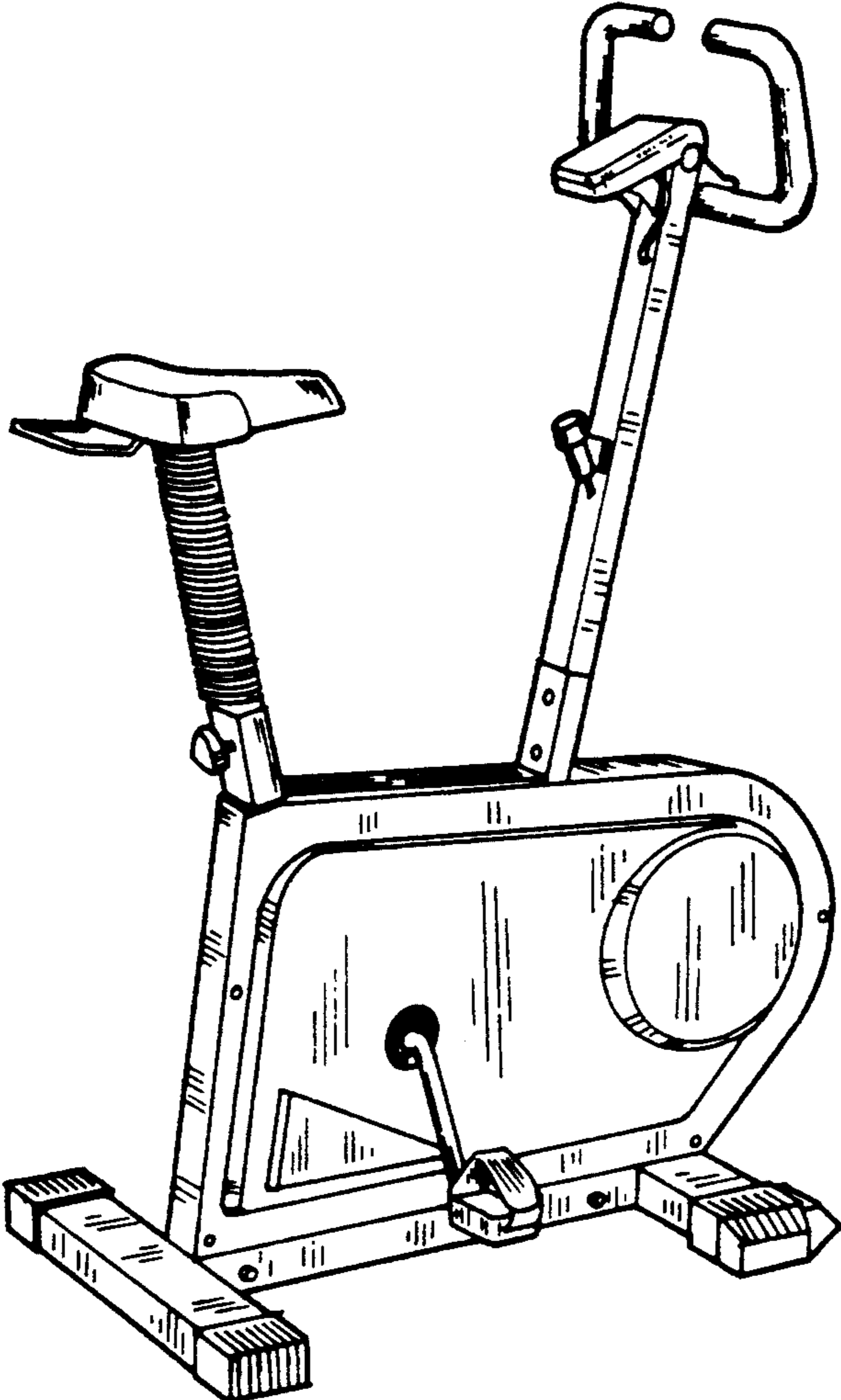


FIG. 1

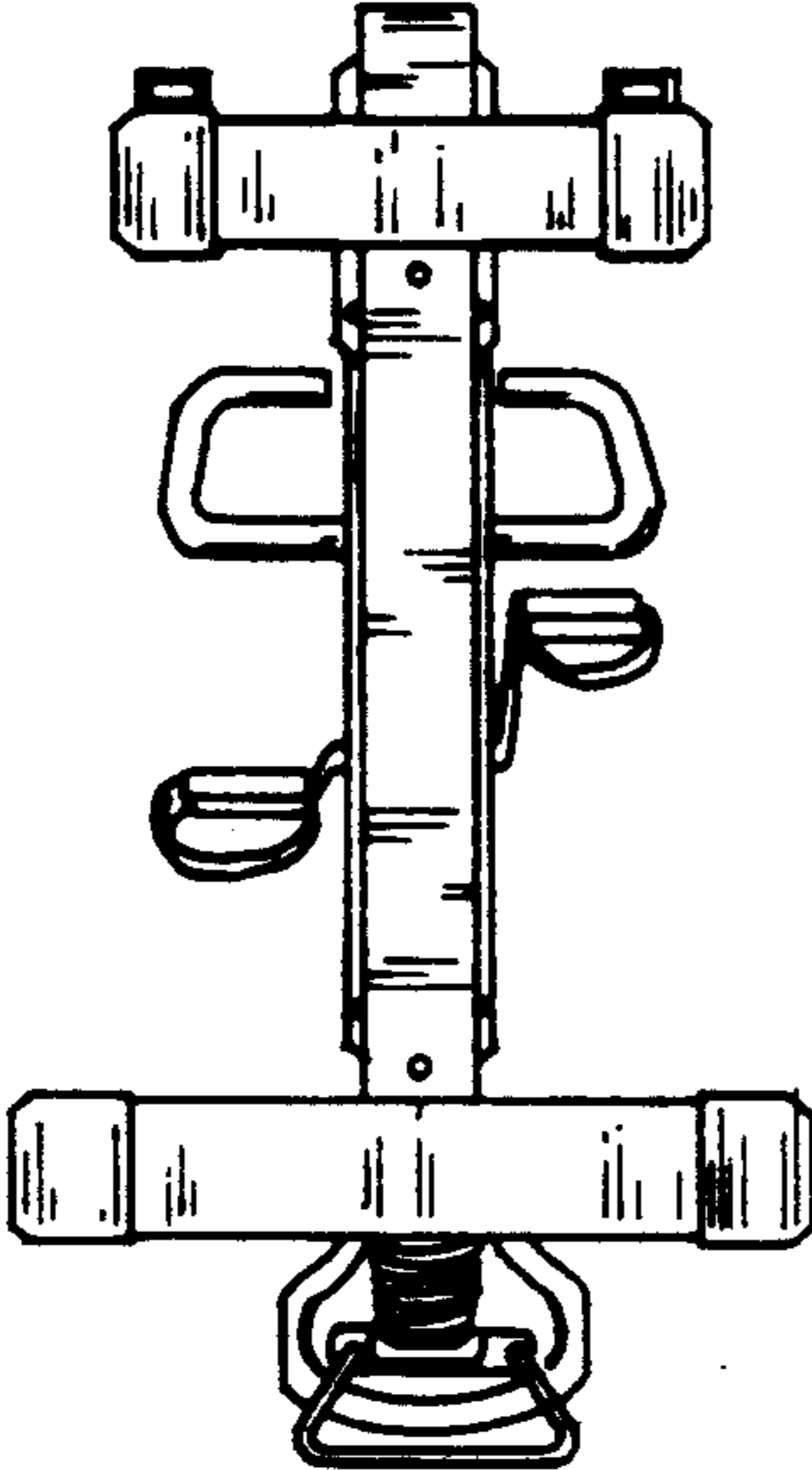


FIG. 2

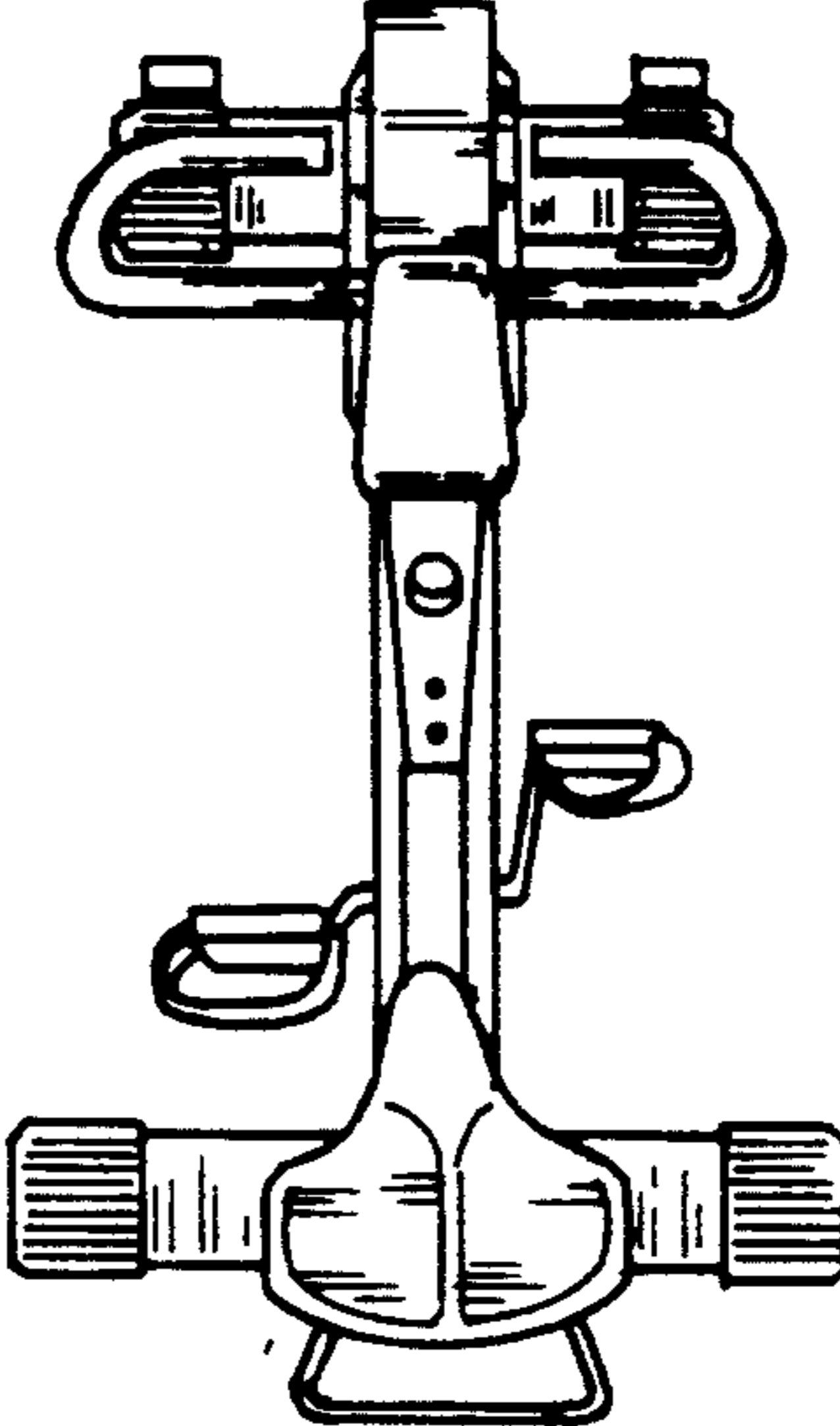


FIG. 3

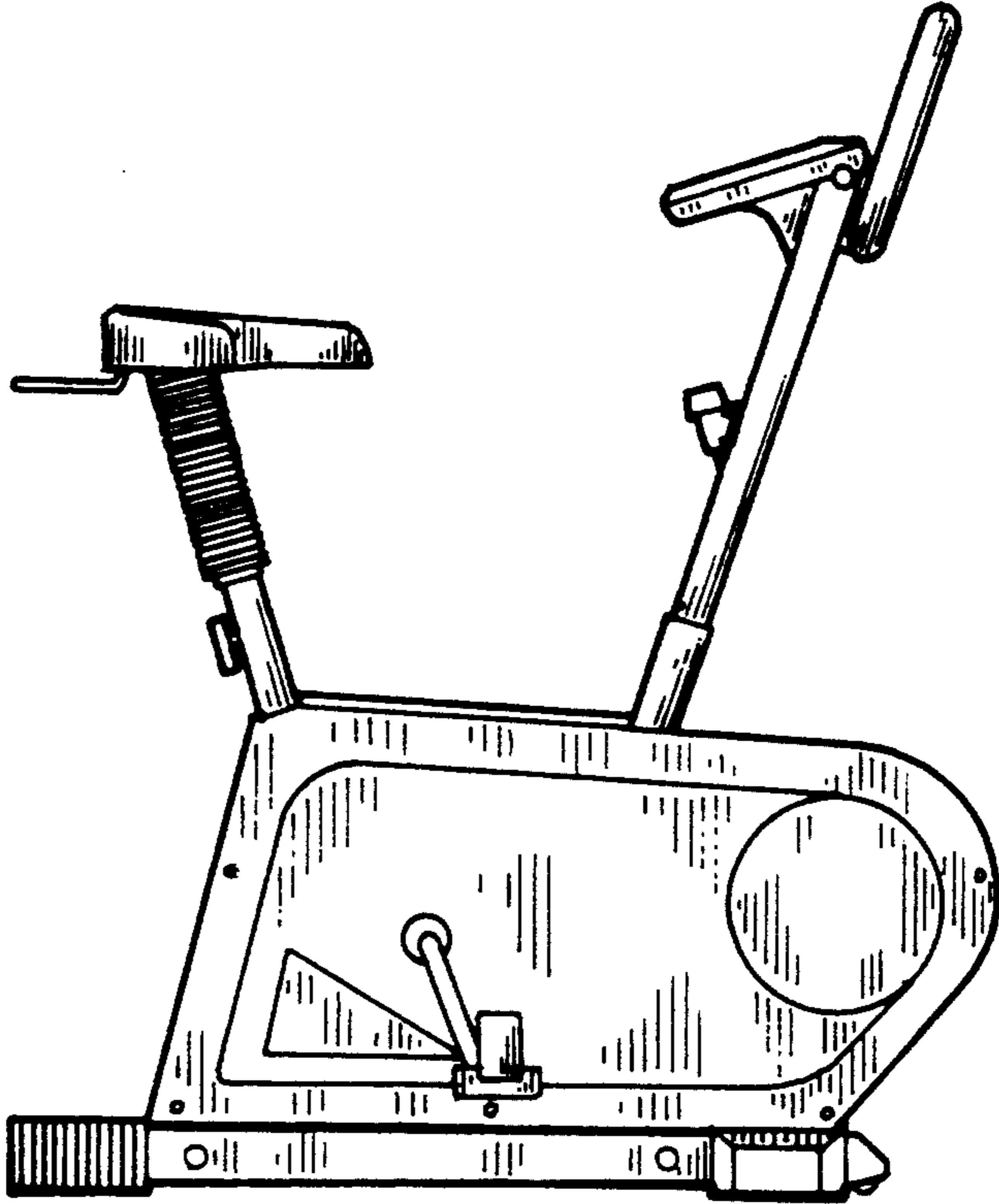


FIG. 4

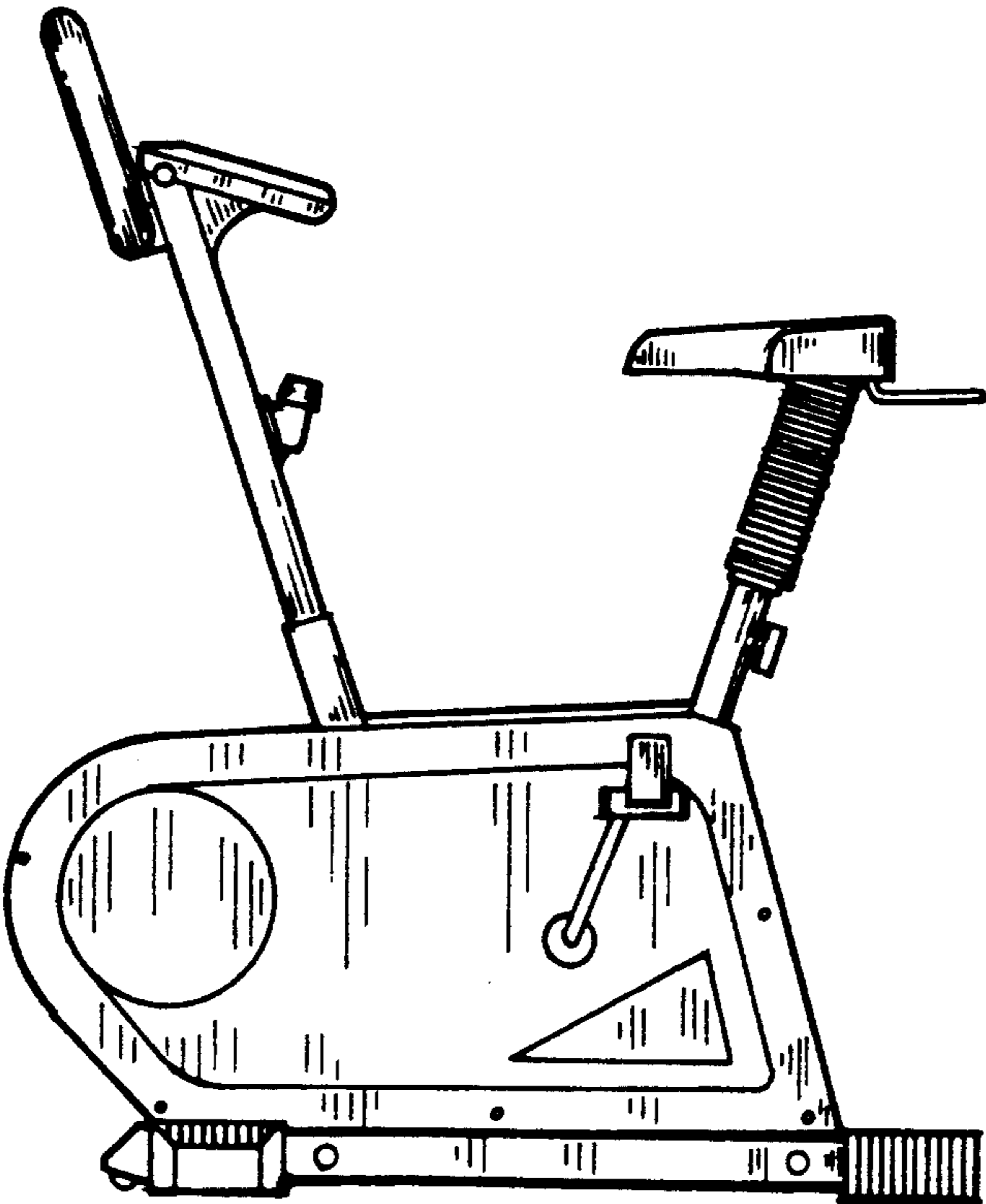


FIG. 5

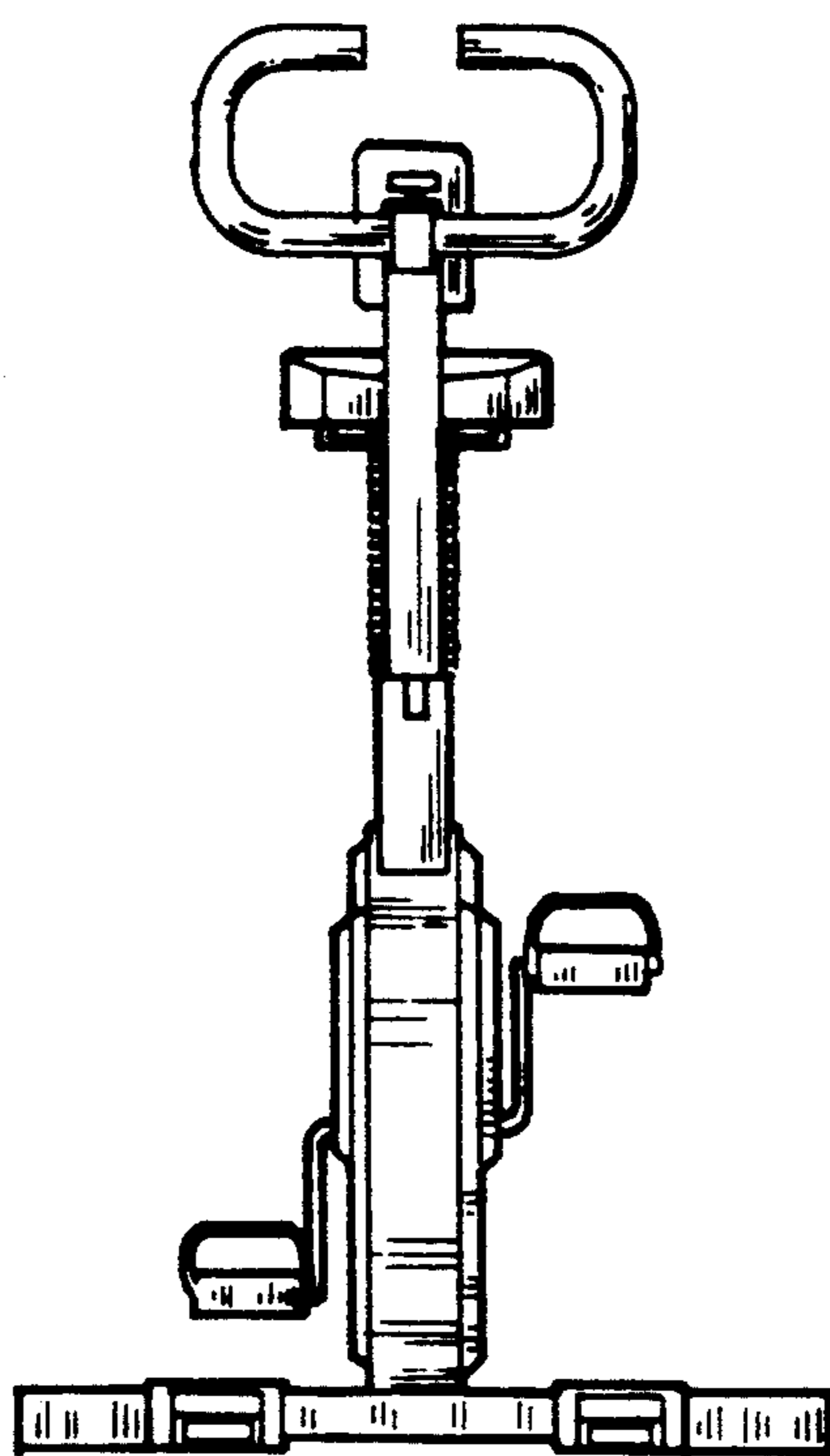


FIG. 6

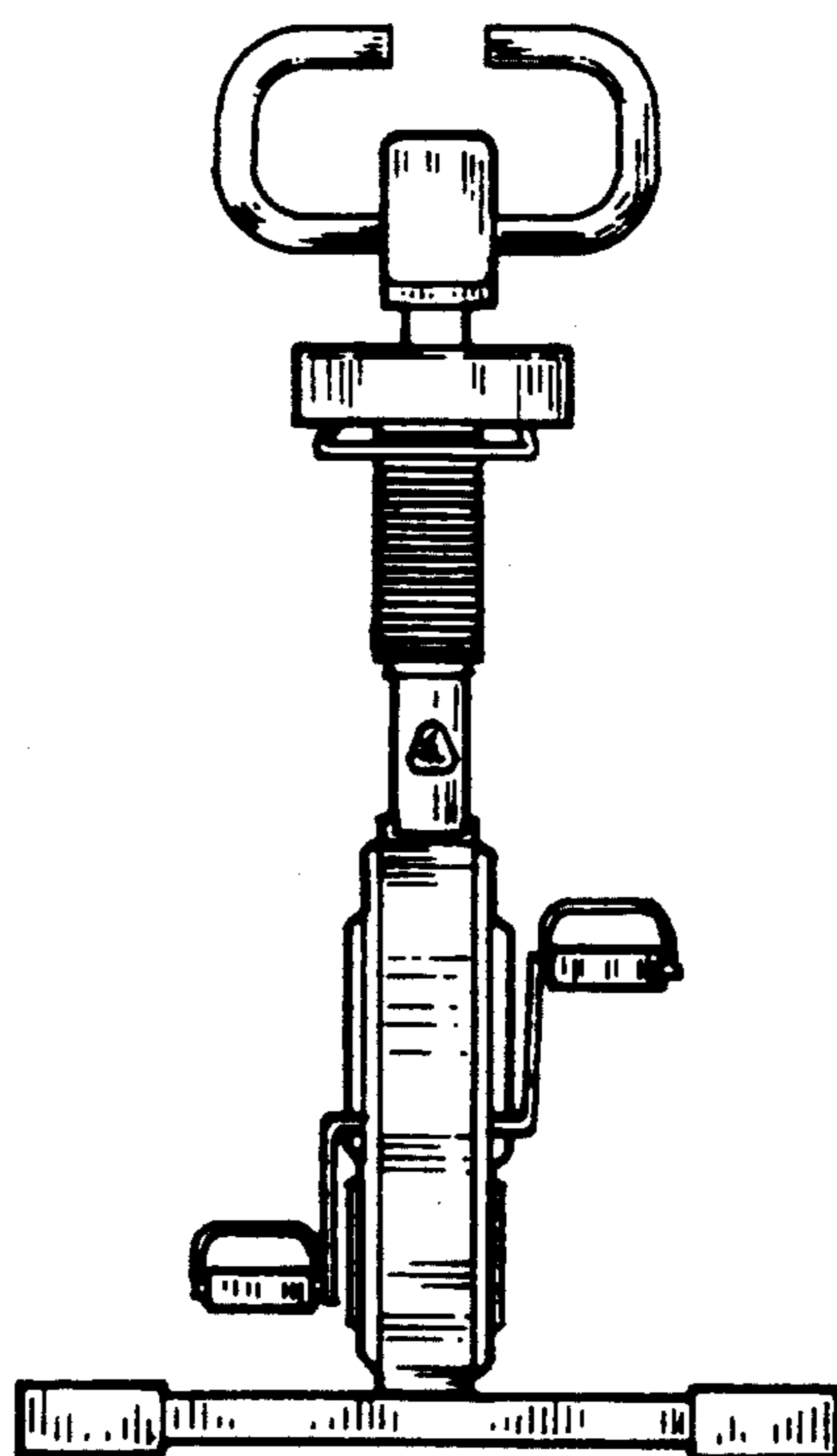


FIG. 7