



US00D344773S

United States Patent [19]

[11] Patent Number: **Des. 344,773**

Aker et al.

[45] Date of Patent: **** Mar. 1, 1994**

[54] **TOY ACTIVITY GYM**

[75] Inventors: **Kevin R. Aker, Hudson; Thomas E. Fish, Jr., Willoughby, both of Ohio**

[73] Assignee: **The Little Tikes Company, Hudson, Ohio**

[**] Term: **14 Years**

[21] Appl. No.: **937,669**

[22] Filed: **Sep. 1, 1992**

[52] U.S. Cl. **D21/244**

[58] Field of Search **472/116, 117, 136; 482/35-39; D21/242-245, 240, 109, 114, 115**

[56] **References Cited**

U.S. PATENT DOCUMENTS

D. 218,765	9/1970	Dattner	D21/244
D. 250,723	1/1979	Dieter et al.	D21/244
D. 262,818	1/1982	Works	D21/243
D. 281,985	12/1985	Spirk et al.	D21/109
D. 303,826	10/1989	Aker	D21/244
D. 334,610	4/1993	Aker	D21/244
4,337,941	7/1982	Kitka	472/116 X
4,369,965	1/1983	Ahrens	D21/244 X
4,484,738	11/1984	Ahrens et al.	472/116
5,226,864	7/1993	Showers	482/35

OTHER PUBLICATIONS

Play Learn Cat 1980, p. 18, bottom of the page.
 Play Learn Cat 1980, Back cover, item Nos. 5 and 6.
 Mexico Forge Cat. 1984, p. 49 as shown.
 P. 79, Castle, The Little Tikes Company, 2180 Barlow Road, Hudson, Ohio 44236. The product depicted herein is the subject of currently pending application Ser. No. 07/681,383, which has been allowed. Publication date 1991.
 P. 84, Treehouse, The Little Tikes Company, 2180 Barlow Road, Hudson, Ohio 44236. The product depicted

herein is the subject of currently pending application Ser. No. 07/561,301, which has been allowed. Publication date 1991.

P. 82, Activity Gym, The Little Tikes Company, 2180 Barlow Road, Hudson, Ohio 44236. The product depicted herein is the subject of currently pending application Ser. No. 07/561,301, which has been allowed. Publication date 1991.

P. 19, Play Gym, Rainbow Play Systems, Inc., 5980 Rainbow Parkway, Prior Lake, Minn. 55372. Publication date Spring 1990.

Catalog Page, Play Gyms, Play Designs, P.O. Box 427, New Berlin, Pa. 17855. Publication date 1991.

P. 6, Play Gyms, Children's Playgrounds Inc., P.O. Box 370, Unionville, Ontario, Canada L3R 2Z7. Publication date 1989.

P. 65, Play Gyms, Kaplan School Supply Corporation, 1310 Lewisville-Clemmons Road, Lewisville, N.C. 27023. Publication date 1986-1987.

Primary Examiner—Bernard Ansher

Assistant Examiner—Prabhakar Deshmukh

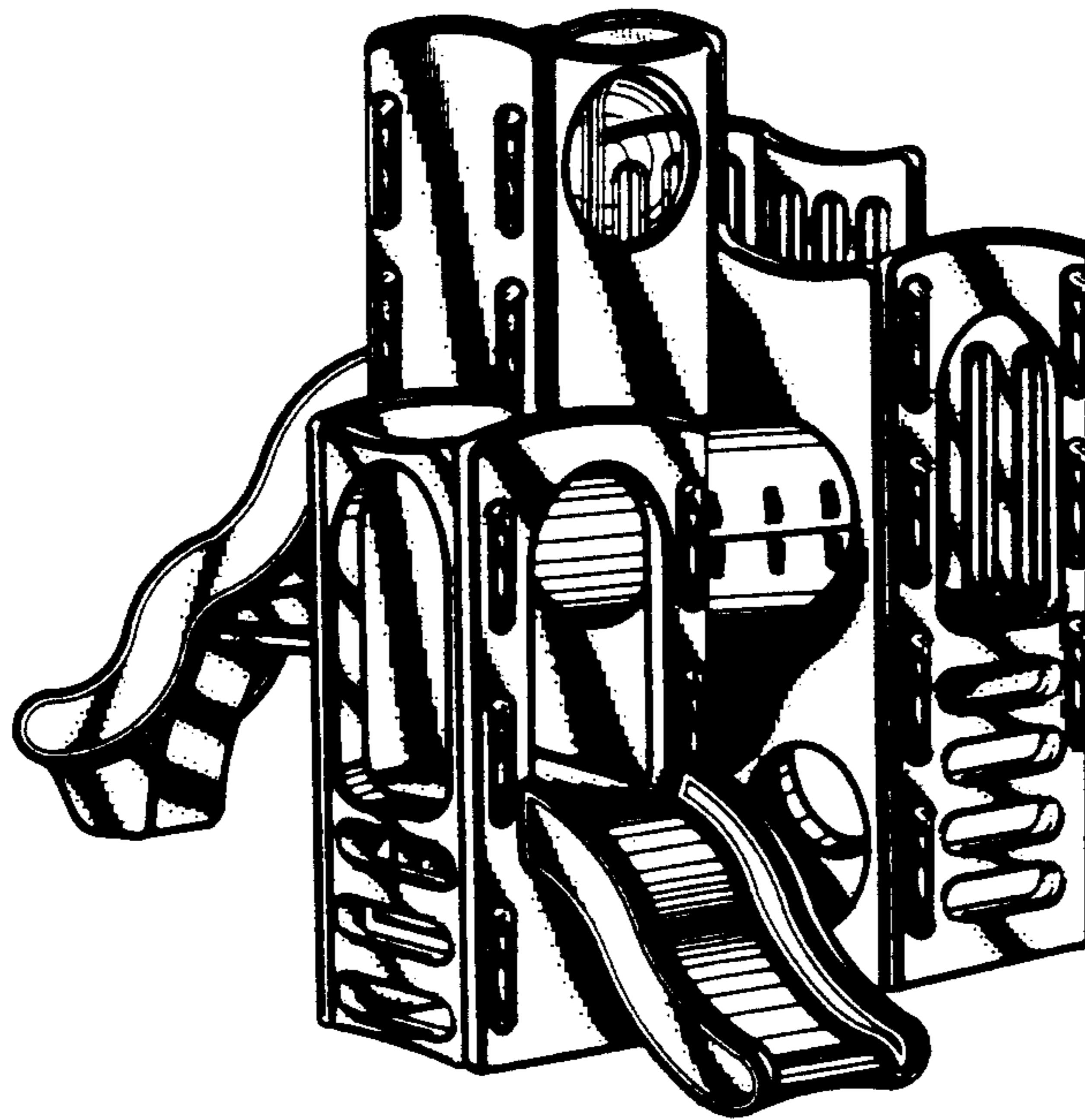
Attorney, Agent, or Firm—Richard B. O'Planick; Lisa B. Riedesel

[57] **CLAIM**

The ornamental design for a toy activity gym, as shown and described.

DESCRIPTION

FIG. 1 is a top left front perspective view of a toy activity gym showing our new design;
 FIG. 2 is a right side elevational view thereof;
 FIG. 3 is a left side elevational view thereof;
 FIG. 4 is a front elevational view thereof;
 FIG. 5 is a rear elevational view thereof;
 FIG. 6 is a top plan view thereof; and,
 FIG. 7 is a bottom plan view thereof.



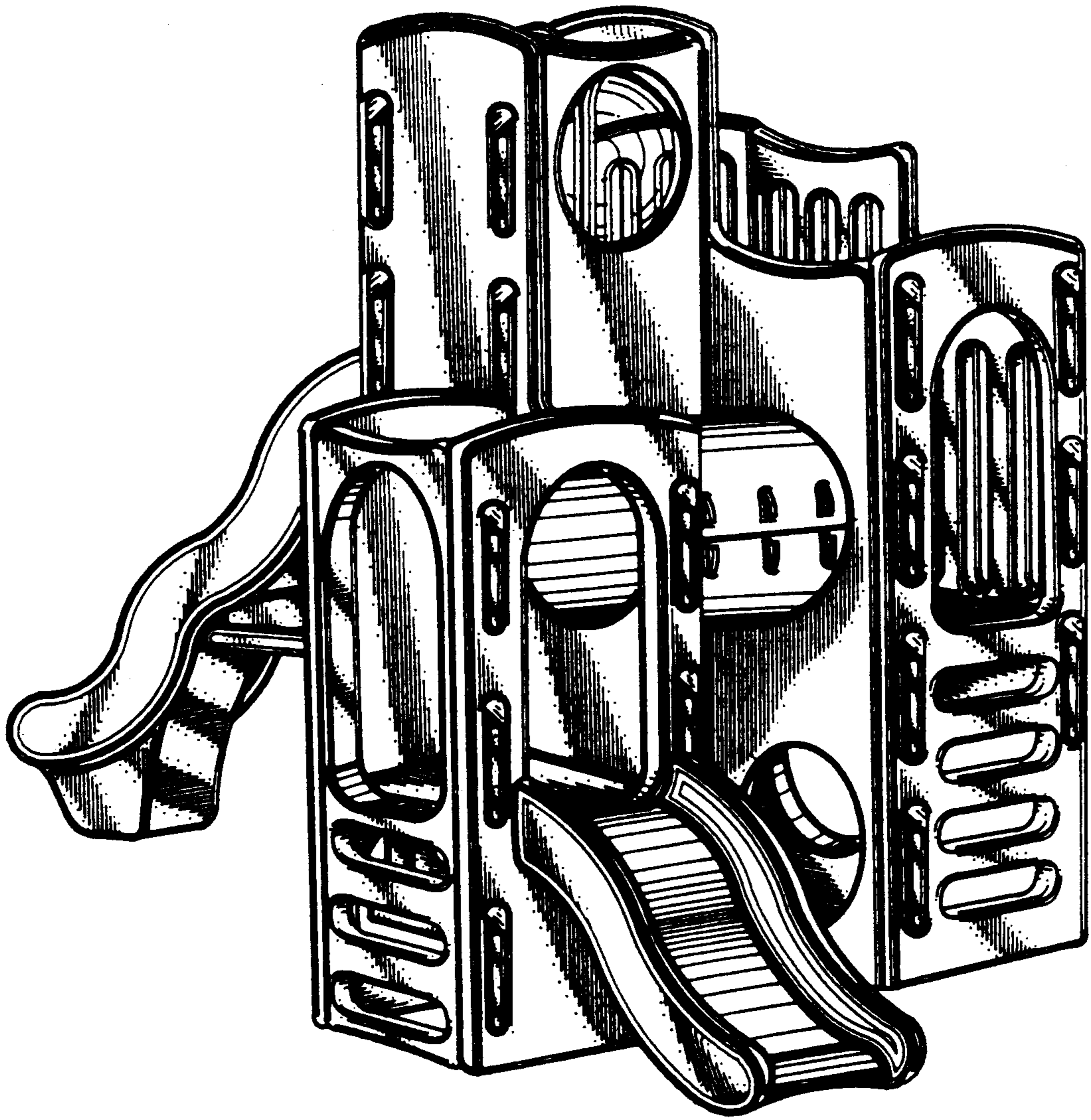


FIG. 1

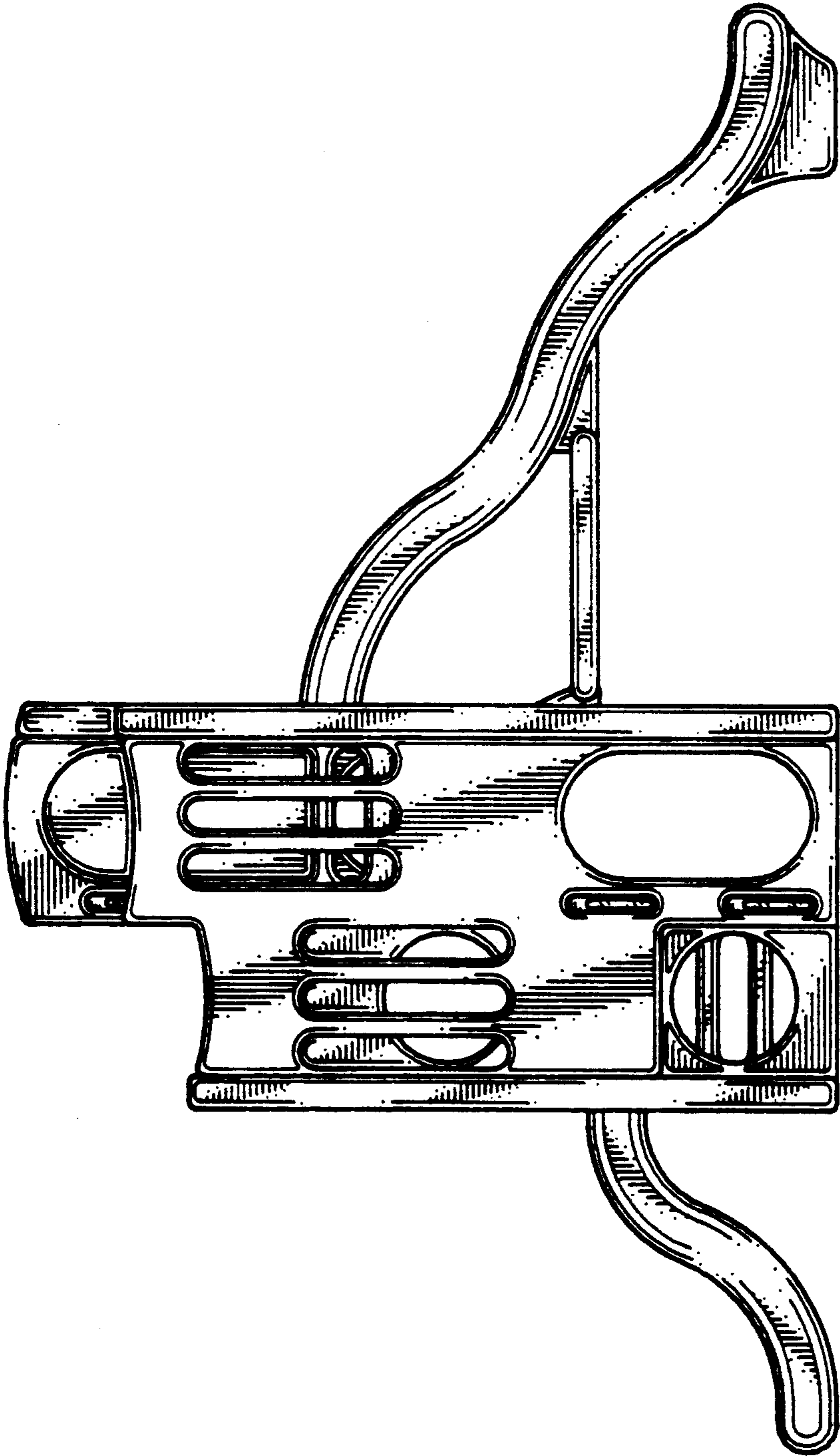


FIG. 2

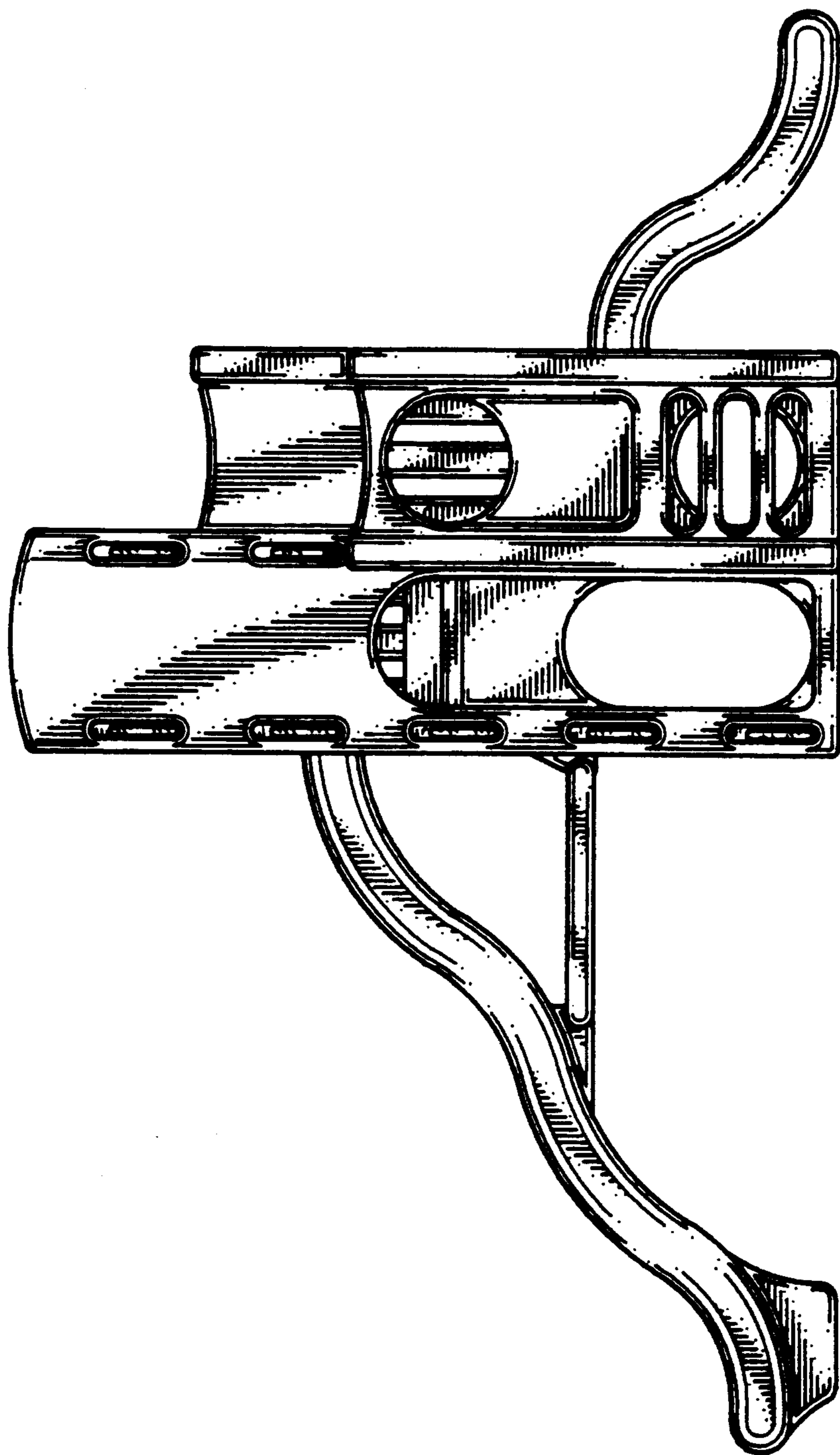


FIG. 3

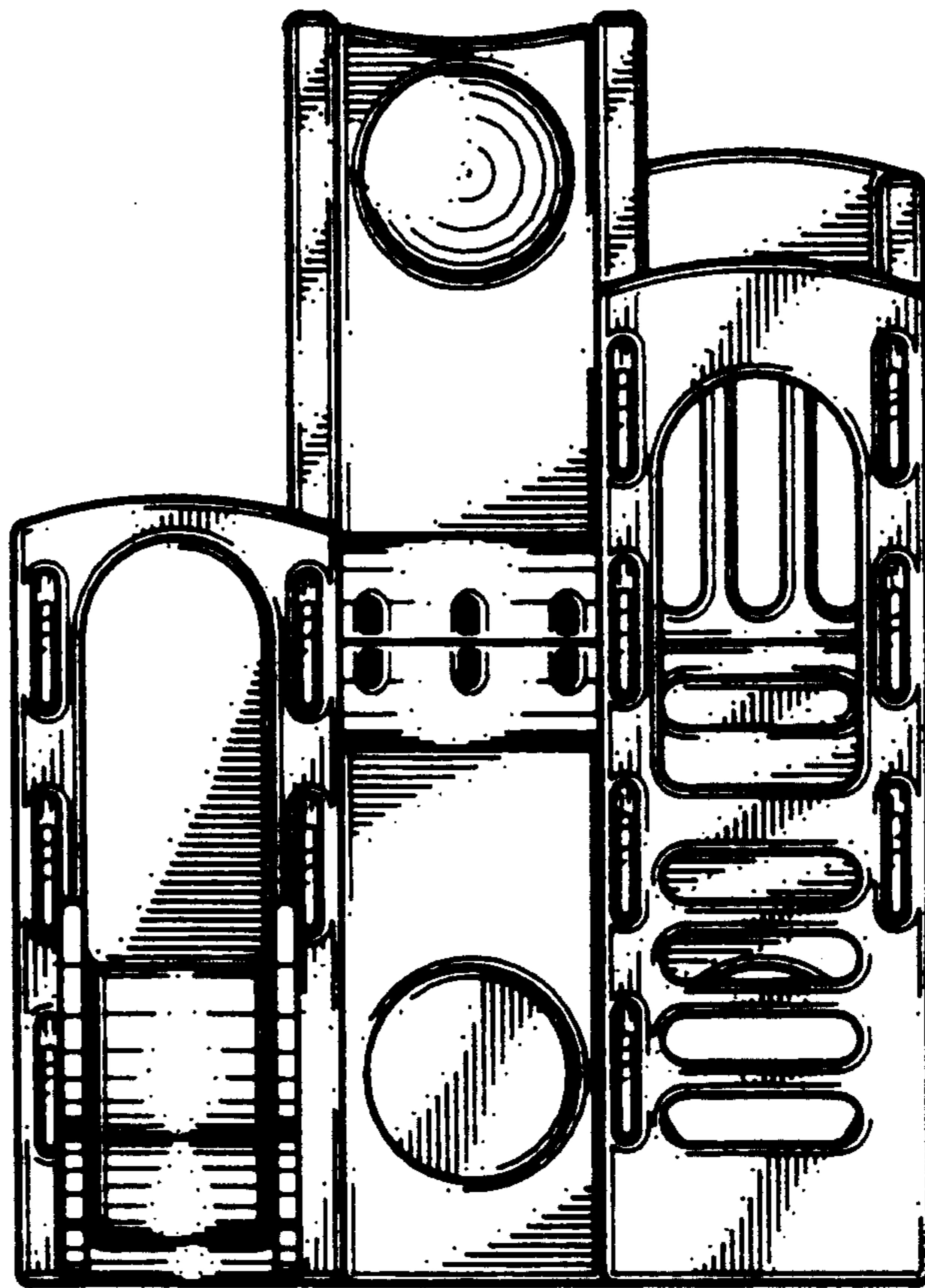


FIG. 4

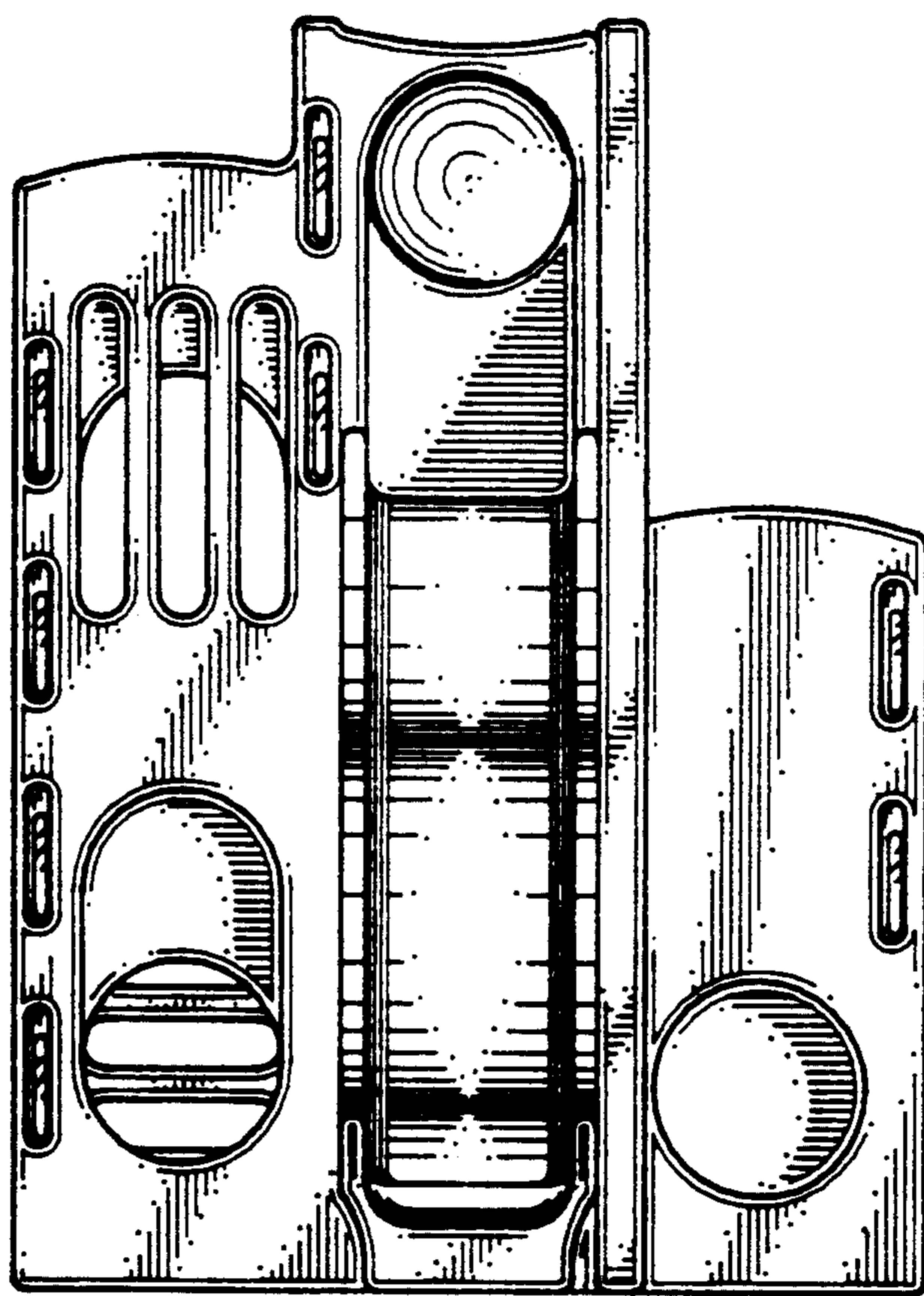


FIG. 5

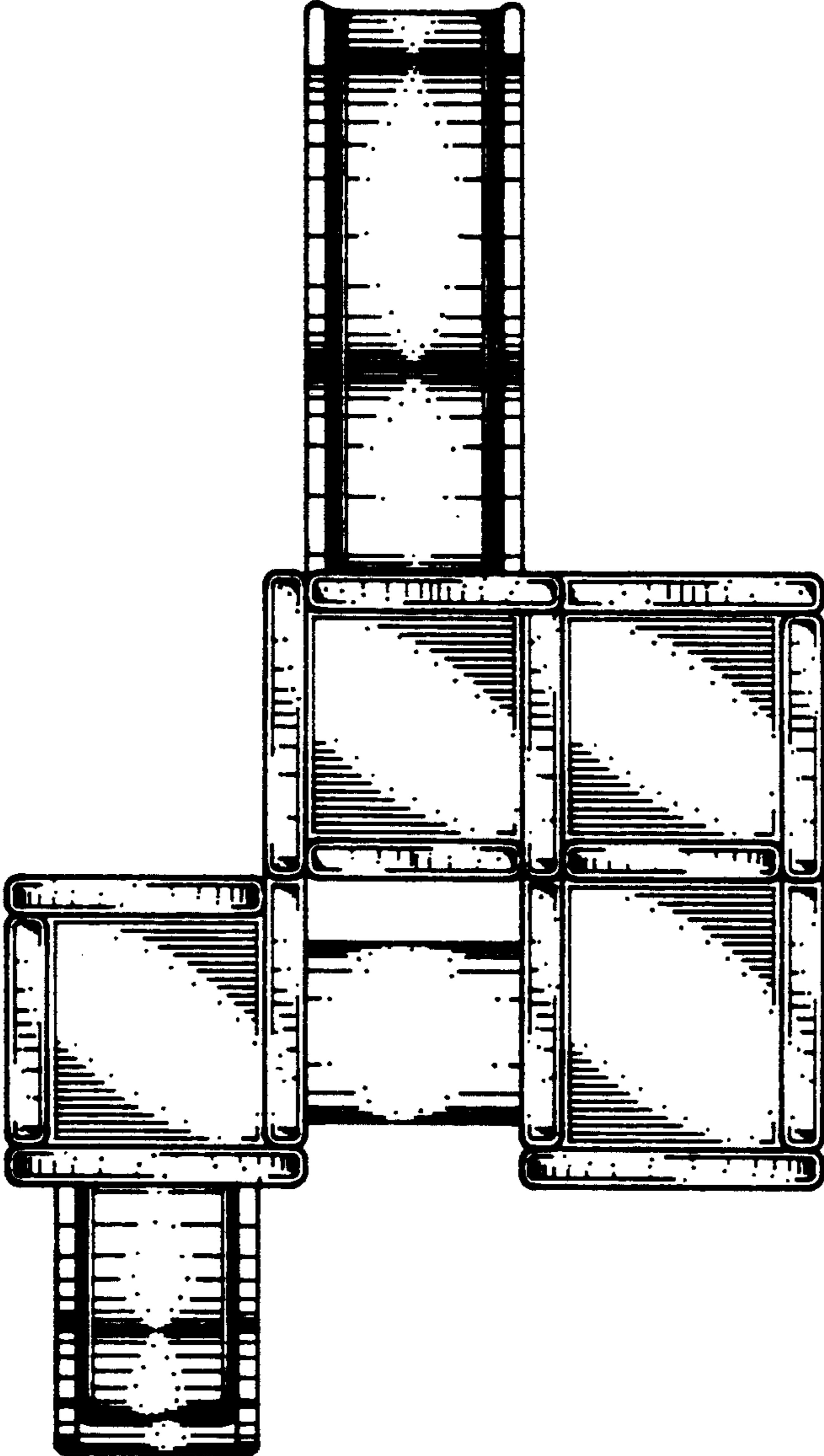


FIG. 6

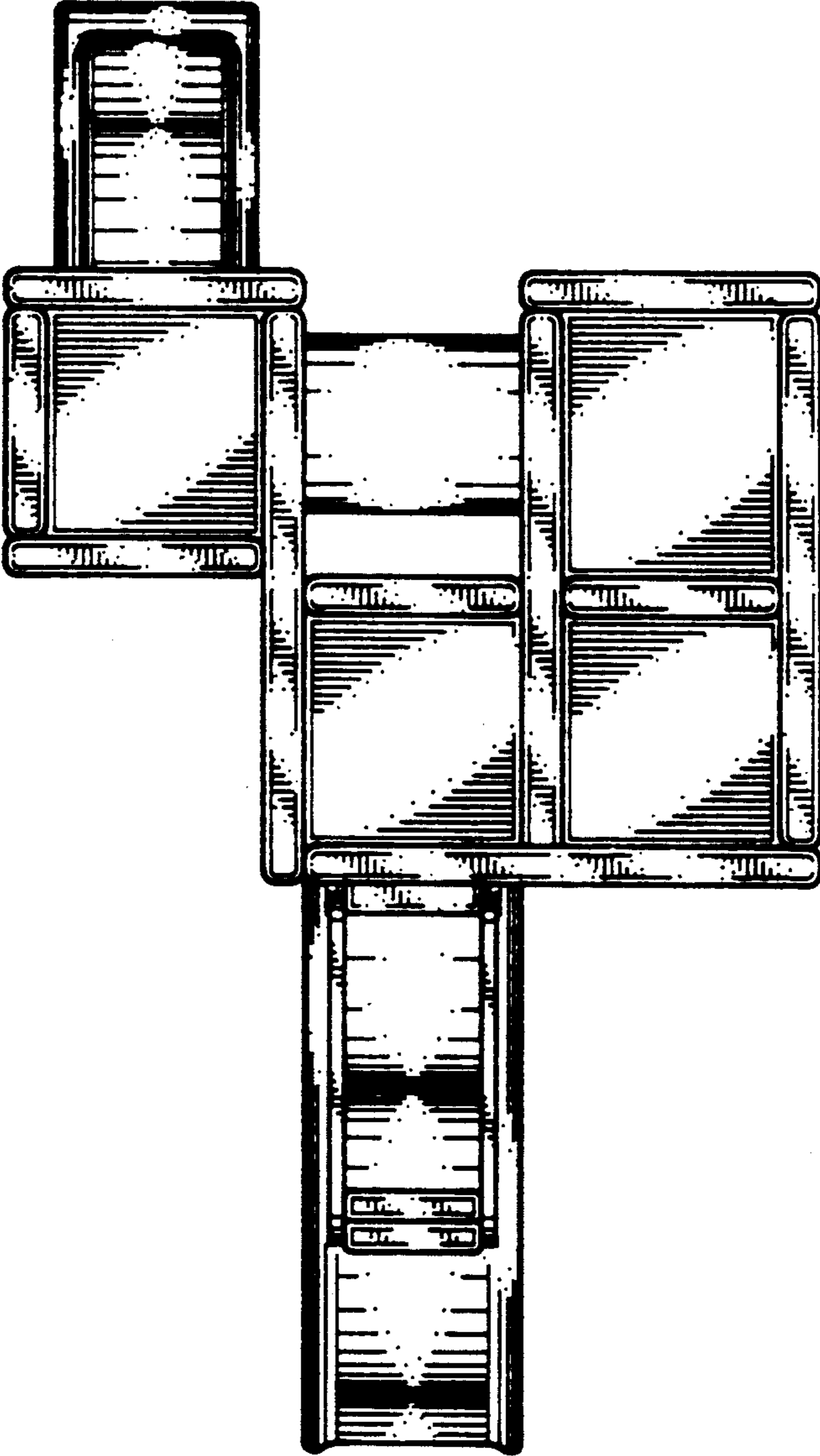


FIG. 7