



US00D344771S

United States Patent [19]

[11] Patent Number: **Des. 344,771**

Matsumoto

[45] Date of Patent: **** Mar. 1, 1994**

[54] **LEG STRETCHING MACHINE**

[75] Inventor: **Susumu Matsumoto, Tokyo, Japan**

[73] Assignee: **Combi Corporation, Tokyo, Japan**

[**] Term: **14 Years**

[21] Appl. No.: **937,667**

[22] Filed: **Sep. 1, 1992**

D. 306,892 3/1990 Pitzen D21/194
 4,900,013 2/1990 Rodgers, Jr. 482/72
 5,131,895 7/1992 Rogers, Jr. 482/72

Primary Examiner—Bernard Ansher
Assistant Examiner—Philip Hyder
Attorney, Agent, or Firm—Sughrue, Mion, Zinn,
 Macpeak & Seas

[30] **Foreign Application Priority Data**

Apr. 18, 1992 [JP] Japan 4-11635

[52] U.S. Cl. **D21/191; D21/195**

[58] Field of Search 482/72, 907, 133, 73;
 D21/191, 195, 194

[57] **CLAIM**

The ornamental design for a leg stretching machine, as shown.

DESCRIPTION

FIG. 1 is a front, top and right side perspective view of a leg stretching machine showing my new design; FIG. 2 is a right side elevational view thereof; FIG. 3 is a left side elevational view thereof; FIG. 4 is a front elevational view thereof; FIG. 5 is a rear elevational view thereof; FIG. 6 is a top plan view thereof; and, FIG. 7 is a bottom plan view thereof.

[56] **References Cited**

U.S. PATENT DOCUMENTS

D. 280,653 9/1985 de Buck D21/191
 D. 289,539 4/1987 Brentham D21/195

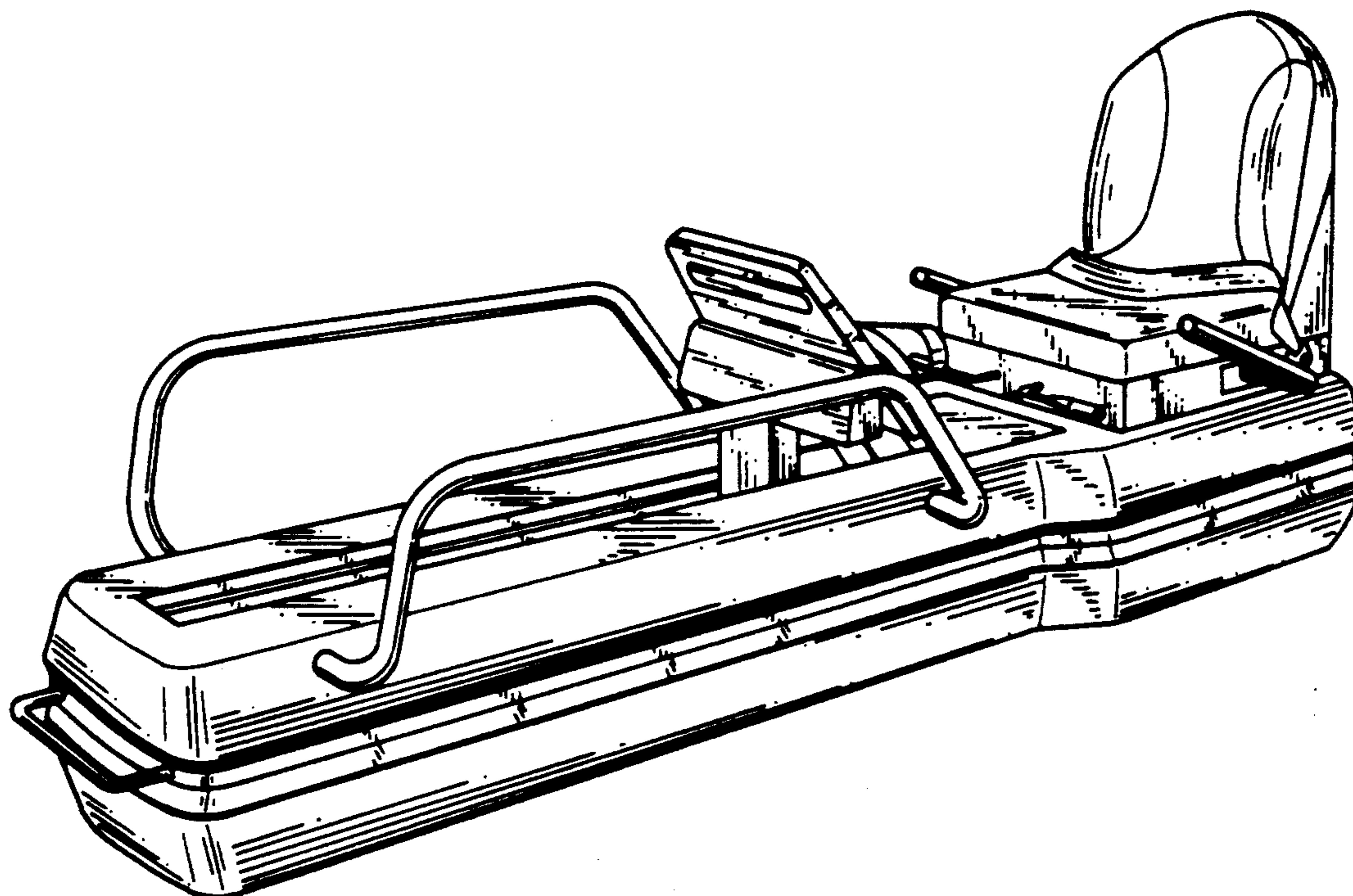


Fig. 1

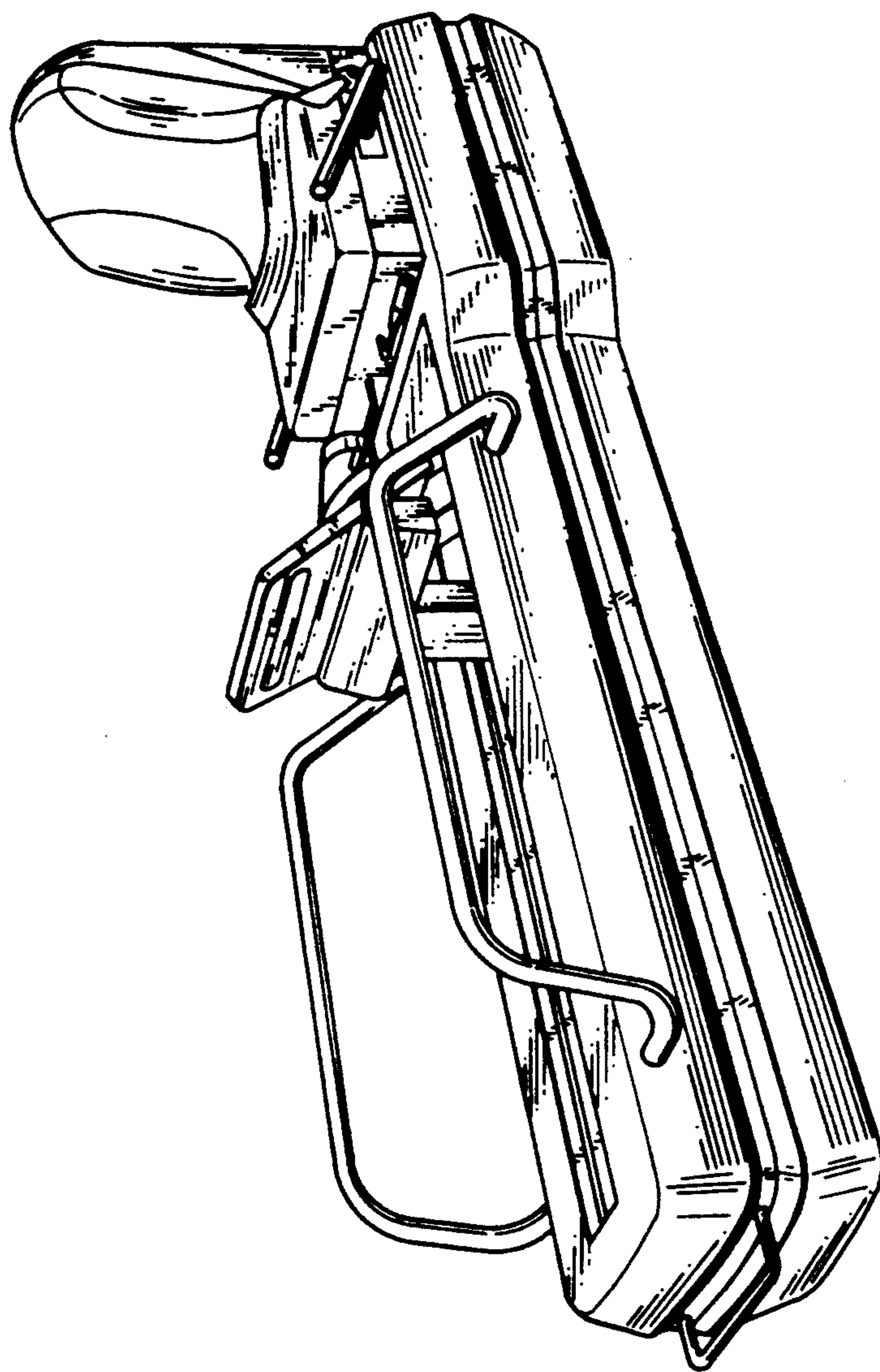


Fig. 2

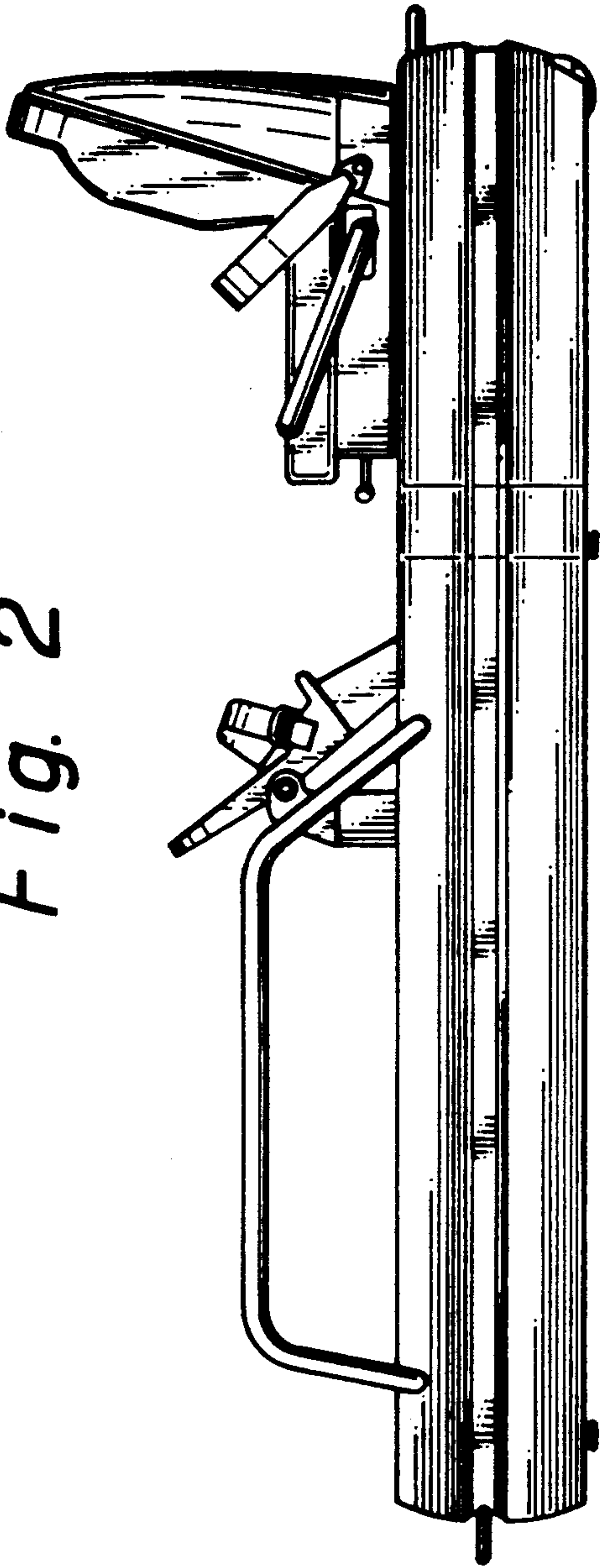


Fig. 3

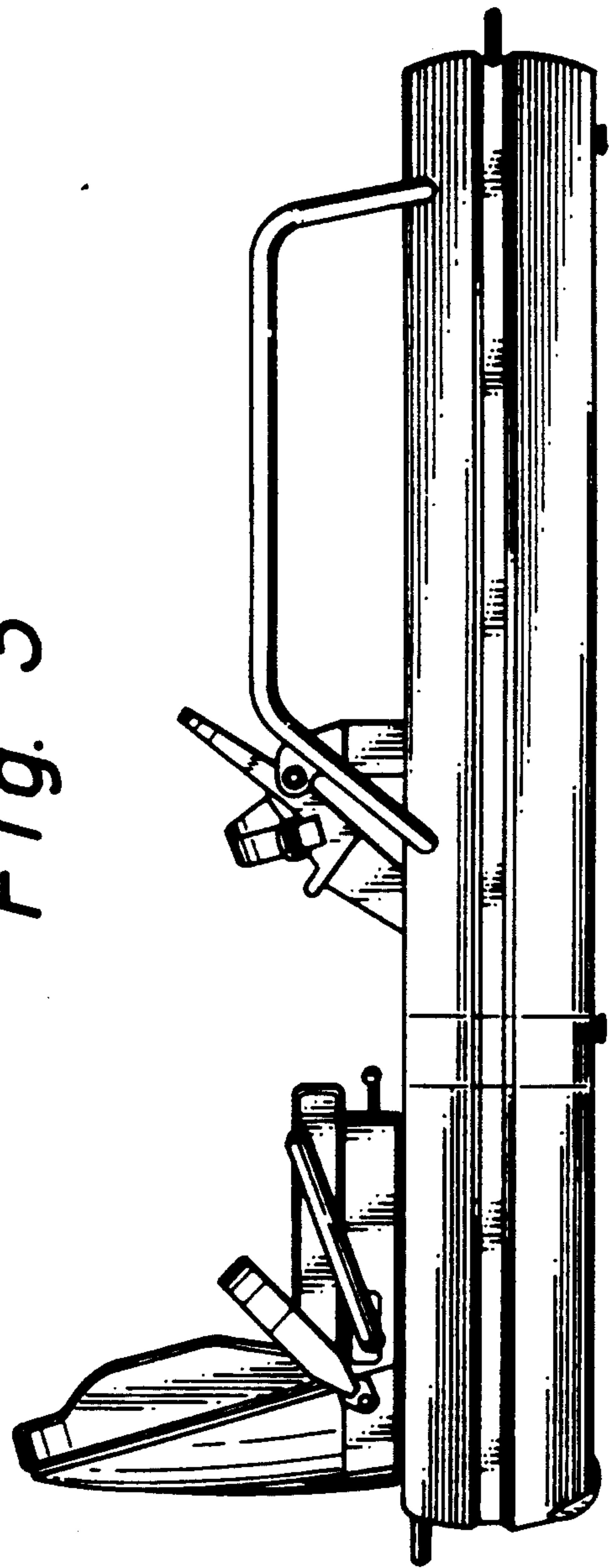


Fig. 4

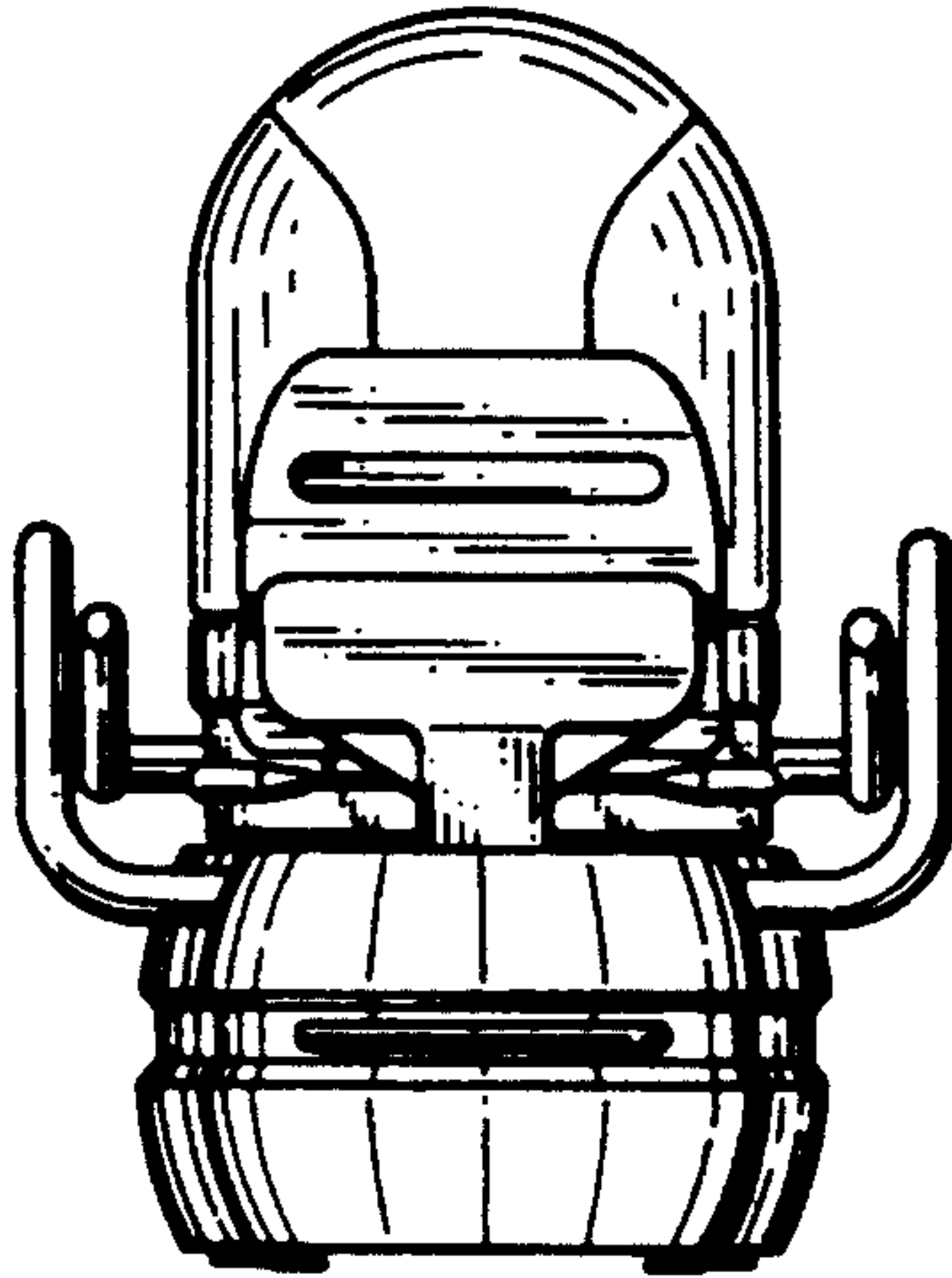


Fig. 5

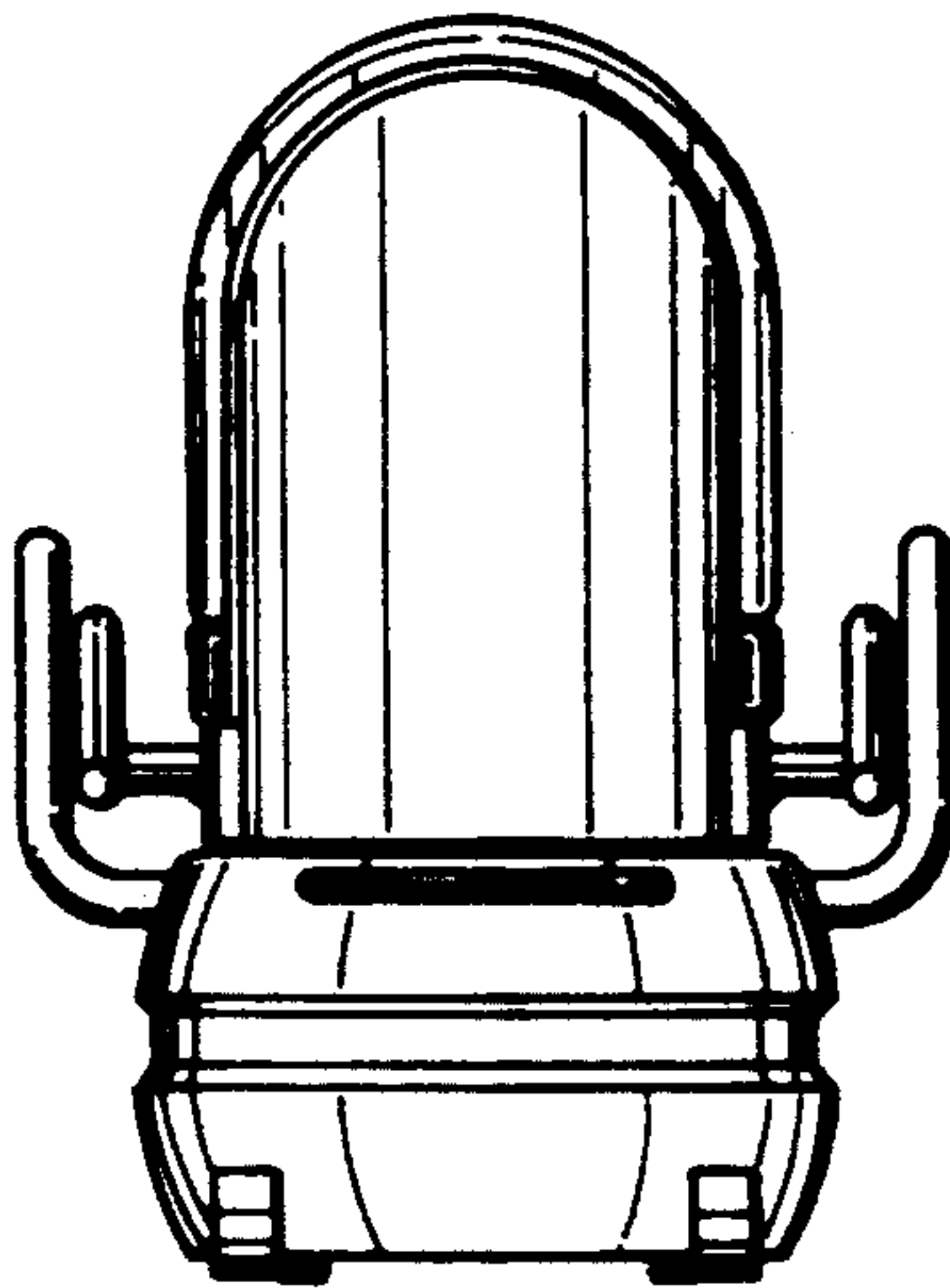


Fig. 6

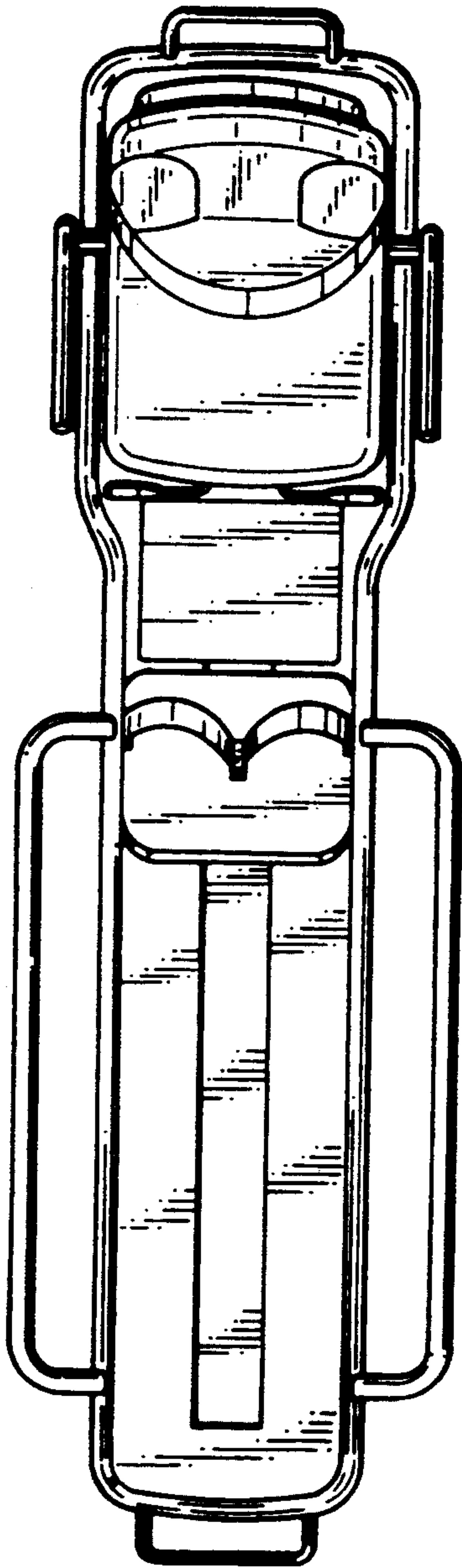


Fig. 7

