



US00D344768S

United States Patent [19]
Chuk

[11] **Patent Number: Des. 344,768**

[45] **Date of Patent: ** Mar. 1, 1994**

[54] **MUSICAL TOY**

[75] **Inventor: Joseph M. S. Chuk, Kwai Chung, Hong Kong**

[73] **Assignee: Roxy Plastic Factory Limited, Kowloon, Hong Kong**

[**] **Term: 14 Years**

[21] **Appl. No.: 910,993**

[22] **Filed: Jul. 9, 1992**

[30] **Foreign Application Priority Data**

Mar. 5, 1992 [GB] United Kingdom 2021442
[52] **U.S. Cl.** **D21/64; D21/59**
[58] **Field of Search** **446/4, 7, 227, 408; D21/59, 63, 64; D17/24**

[56] **References Cited**

U.S. PATENT DOCUMENTS

D. 265,664 8/1982 Orenstein D21/59
D. 265,748 8/1982 Tabata D21/59
D. 277,877 3/1985 Chatani D21/59
D. 280,648 9/1985 Kodama D21/59 X

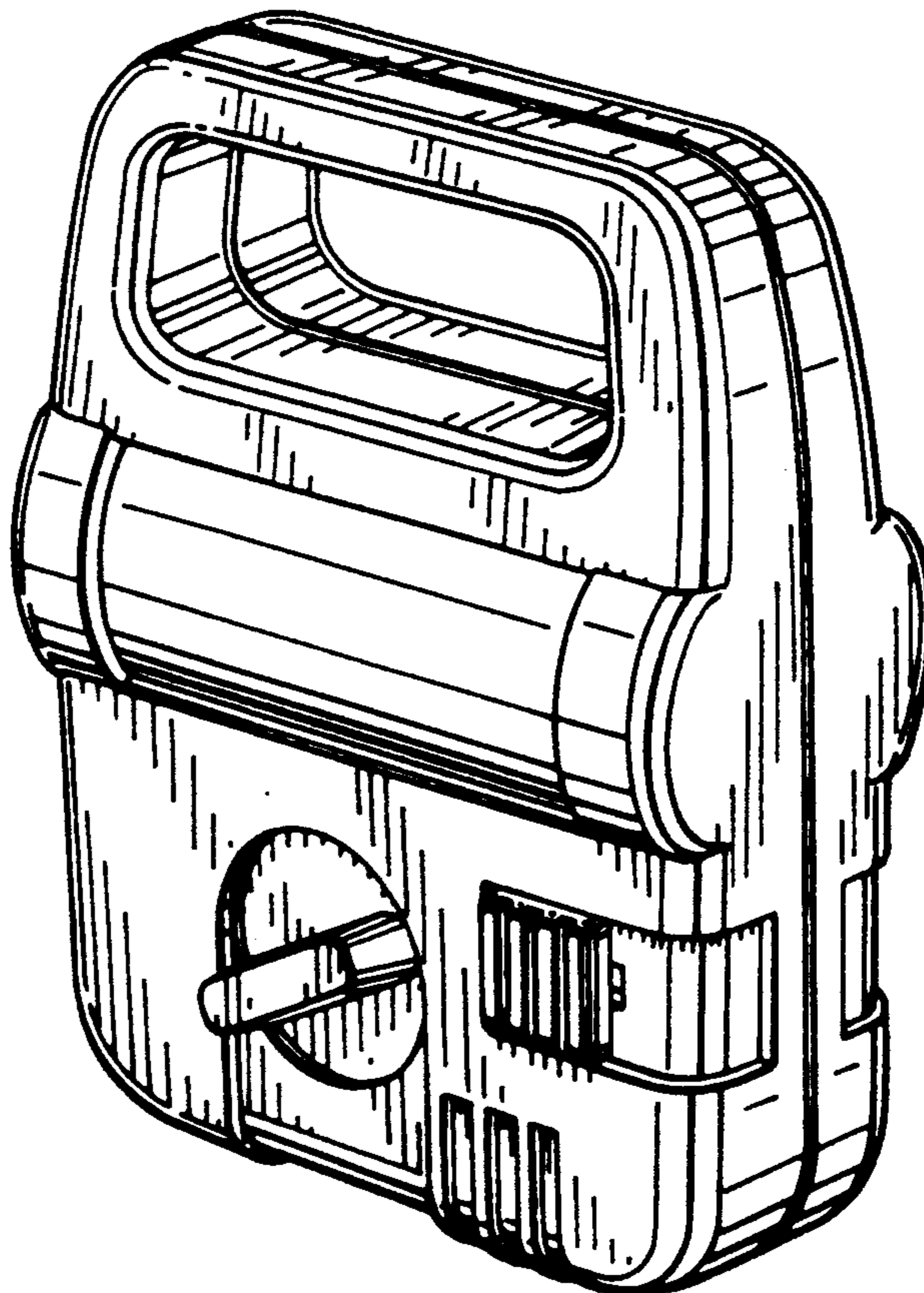
Primary Examiner—Bernard Ansher
Assistant Examiner—Dominic Simone
Attorney, Agent, or Firm—Bacon & Thomas

[57] **CLAIM**

The ornamental design for a musical toy, as shown.

DESCRIPTION

FIG. 1 is a front perspective view;
FIG. 2 is a rear perspective view;
FIG. 3 is a front view;
FIG. 4 is a left side view; and,
FIG. 5 is a bottom plan view.



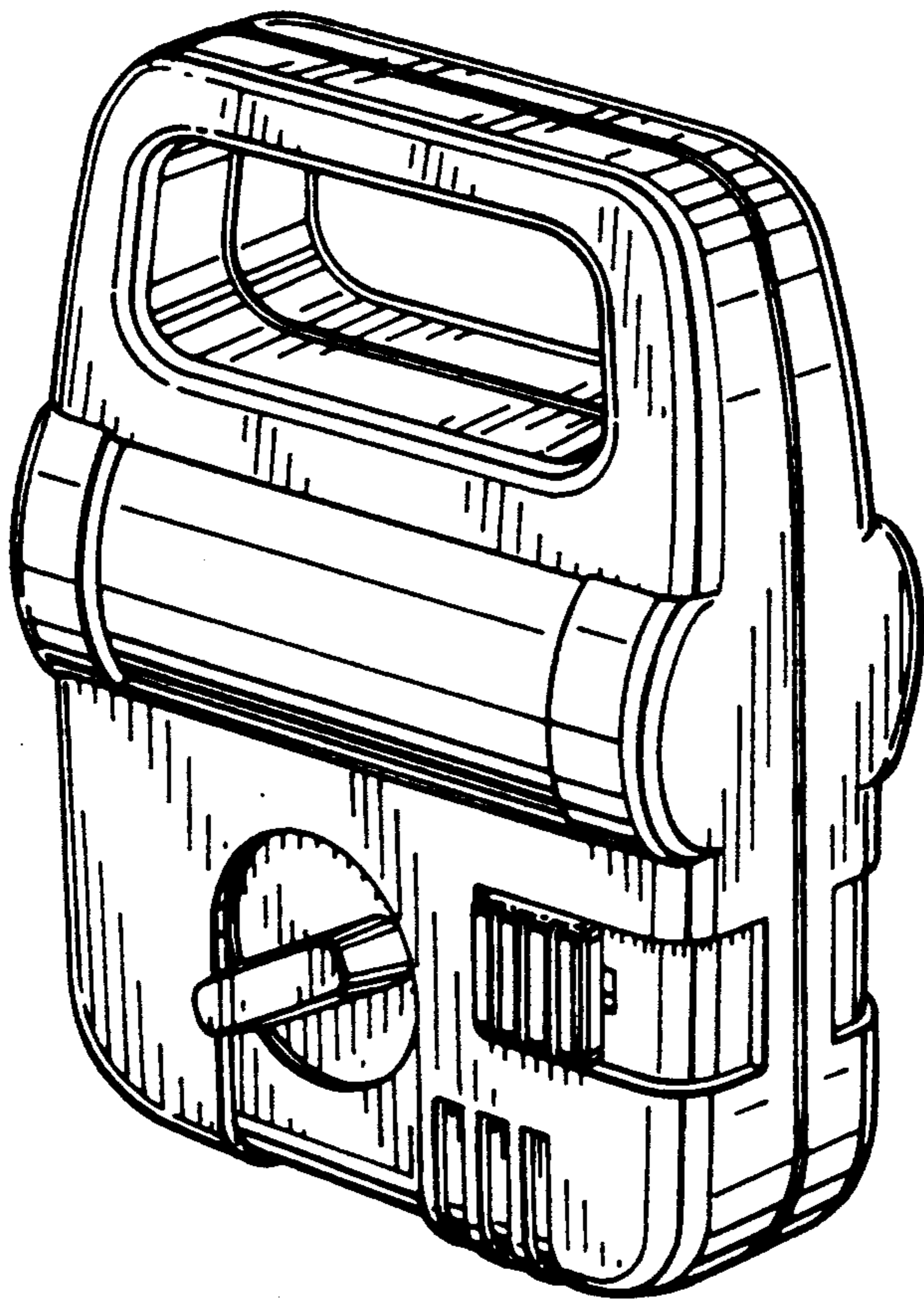


FIG. 1.

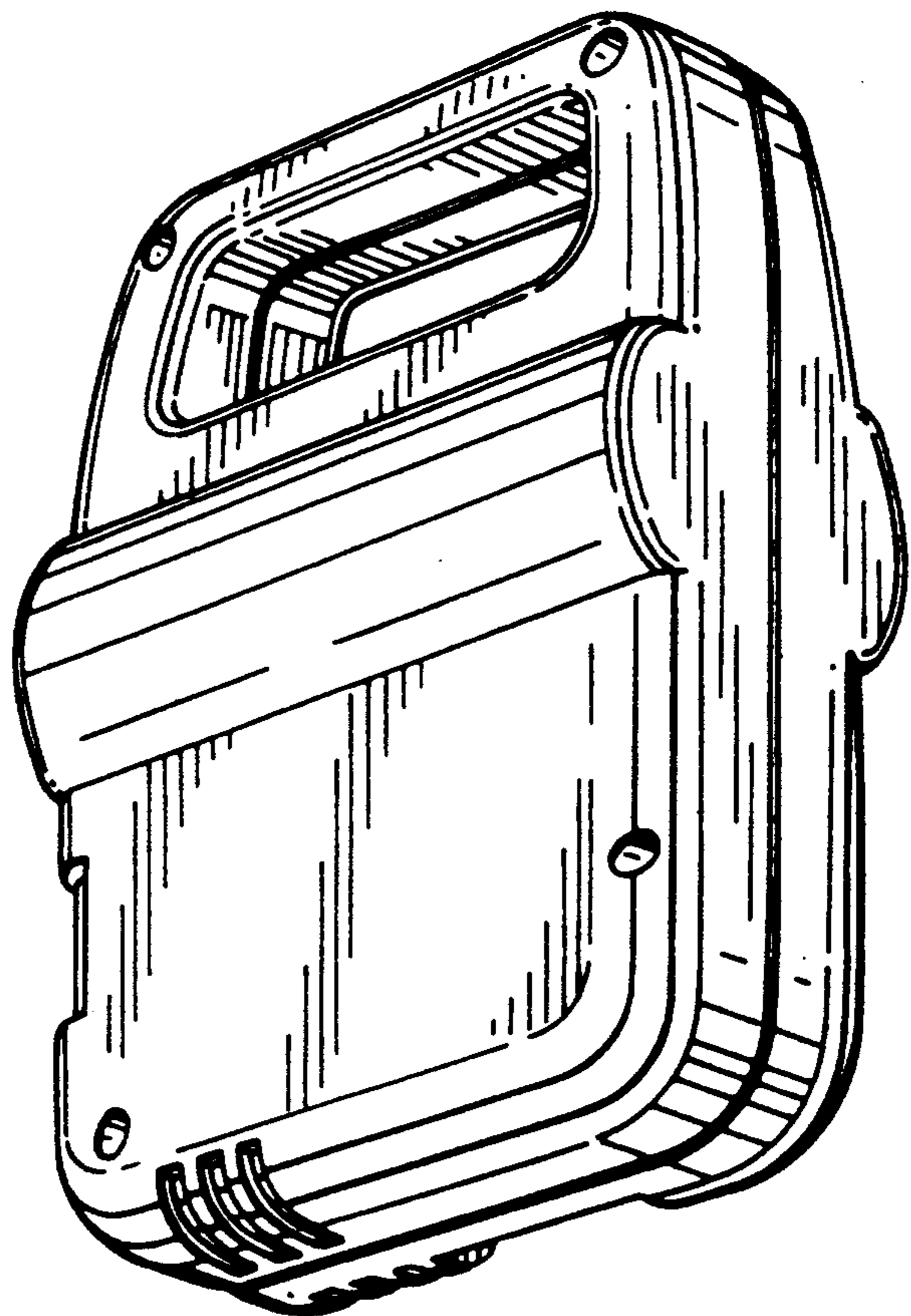


FIG. 2.

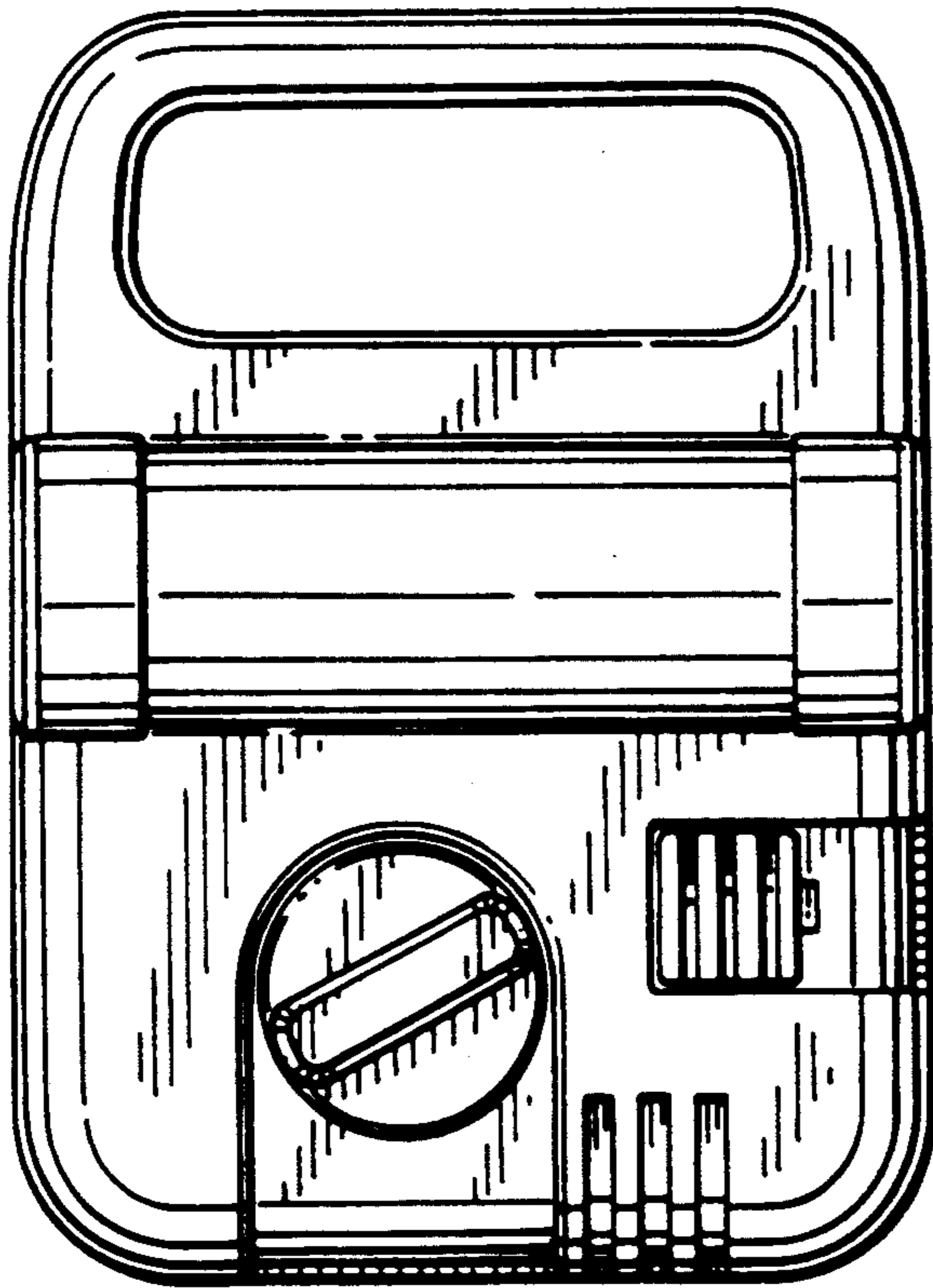


FIG. 3.

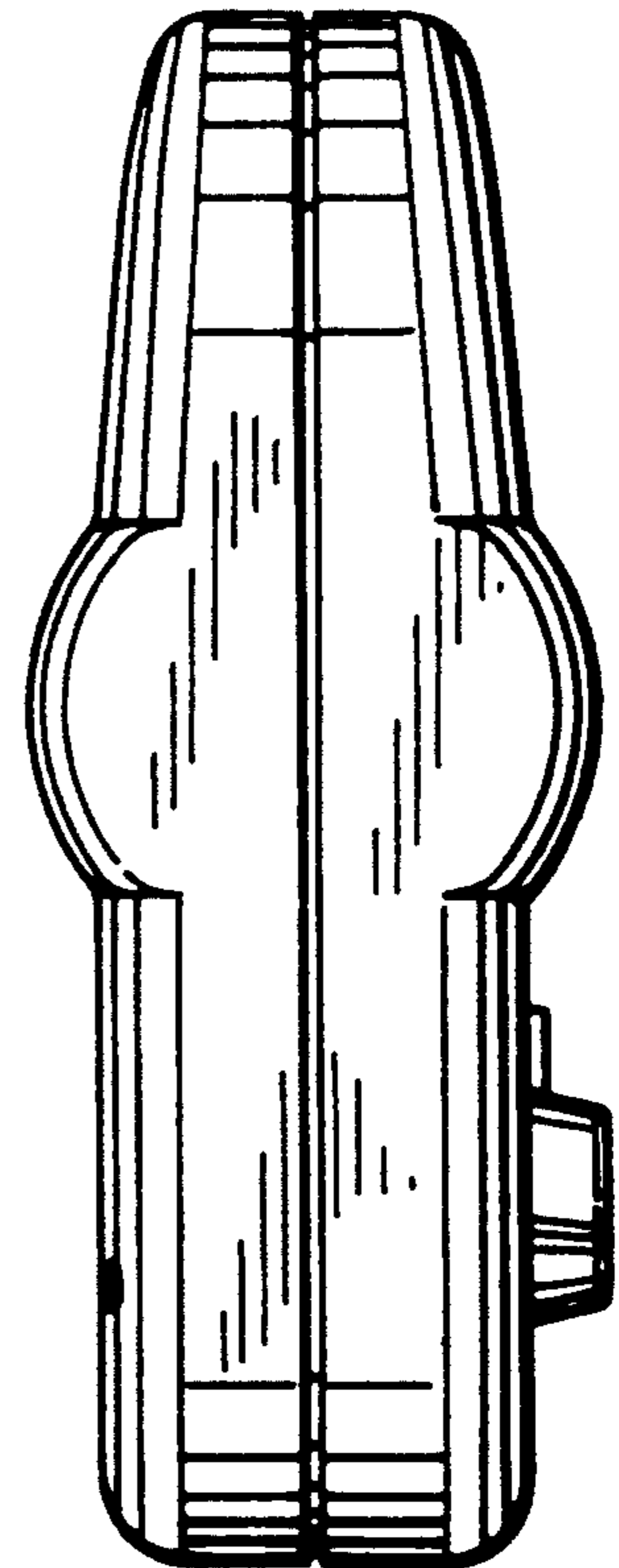


FIG. 4.

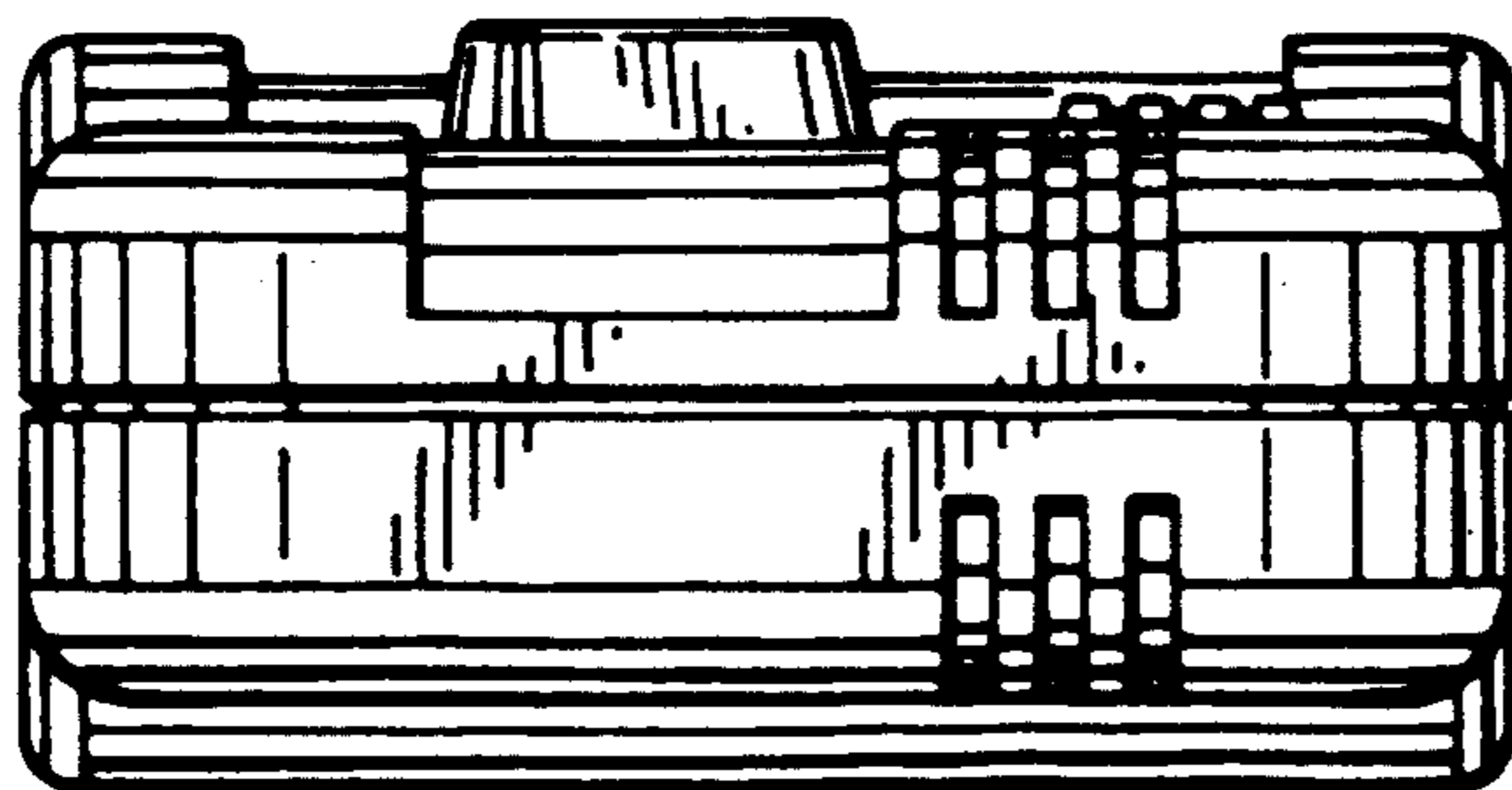


FIG. 5.