



US00D344766S

United States Patent [19] Curb

[11] Patent Number: **Des. 344,766**

[45] Date of Patent: **** Mar. 1, 1994**

[54] AMUSEMENT GAME

[76] Inventor: **Alan O. Curb**, 218 Juniper La., Bemidji, Minn. 56601-5734

[**] Term: **14 Years**

[21] Appl. No.: **66**

[22] Filed: **Oct. 1, 1992**

[52] U.S. Cl. **D21/7**

[58] Field of Search 273/128 R, 128 A, 128 CS, 273/287, 236, 309; 482/23, 25; D21/7-11, 4, 5, 14, 34, 36, 202

[56] **References Cited**

U.S. PATENT DOCUMENTS

D. 226,277	2/1973	Sparacing	D21/7
D. 245,359	8/1977	Wilke	D21/7
D. 315,368	5/1991	Wakui	D21/7
1,634,451	7/1927	Campbell	D21/7 X
3,722,888	3/1973	Ducharme	273/128 CS X
3,887,187	6/1975	Crossman et al.	273/128 R X

OTHER PUBLICATIONS

Play Magazine, 12-1989, p. 212 As Shown.
American Games, 1990 Cat. p. 6, As Shown.
Merchandising, 10-1984, p. 28, As Shown.

Primary Examiner—Prabhakar G. Deshmukh
Attorney, Agent, or Firm—Merchant, Gould, Smith, Edell, Welter & Schmidt

[57] **CLAIM**

The ornamental design for an amusement game, as shown and described.

DESCRIPTION

FIG. 1 is a perspective view of an amusement game showing my new design;
FIG. 2 is a front elevational view thereof; the rear elevational view being a mirror image thereof;
FIG. 3 is a left side elevational view thereof;
FIG. 4 is a right side elevational view thereof;
FIG. 5 is a top plan view thereof;
FIG. 6 is a bottom plan view thereof; and,
FIG. 7 is an enlarged scale fragmentary elevational view of the scoring board taken along line 7-7 of FIG. 2; shown for clarity of illustration.

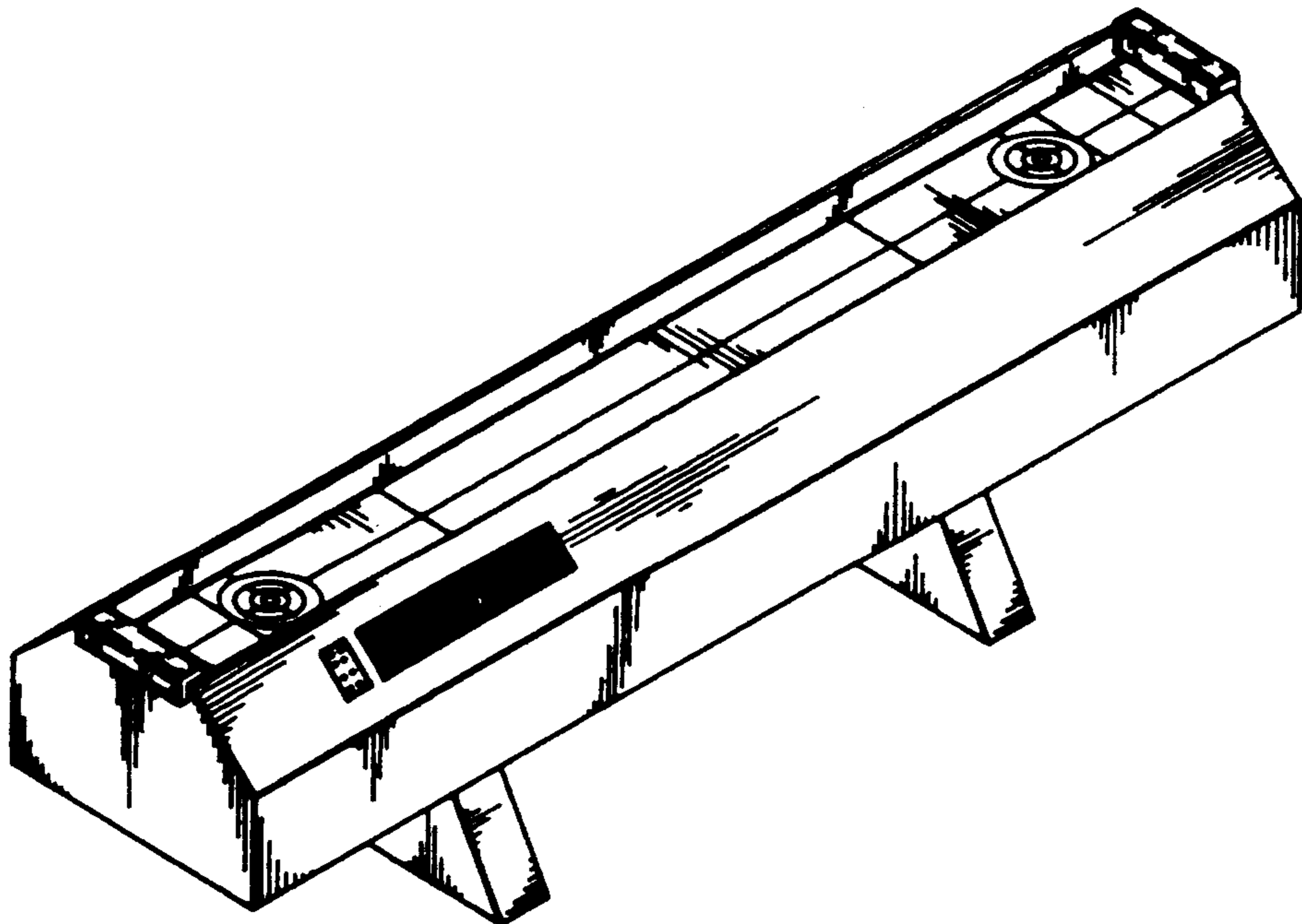


FIG. 1

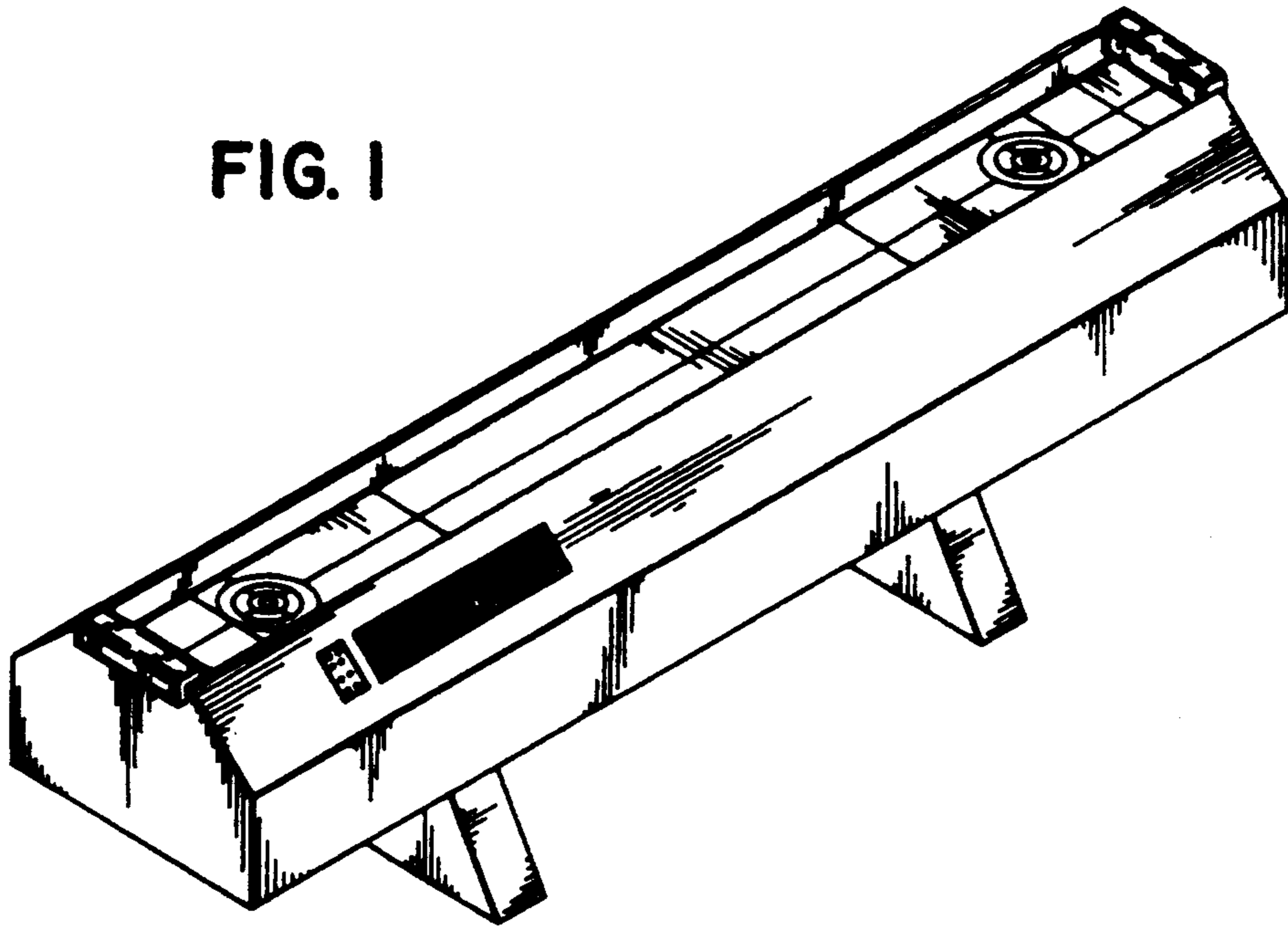


FIG. 2

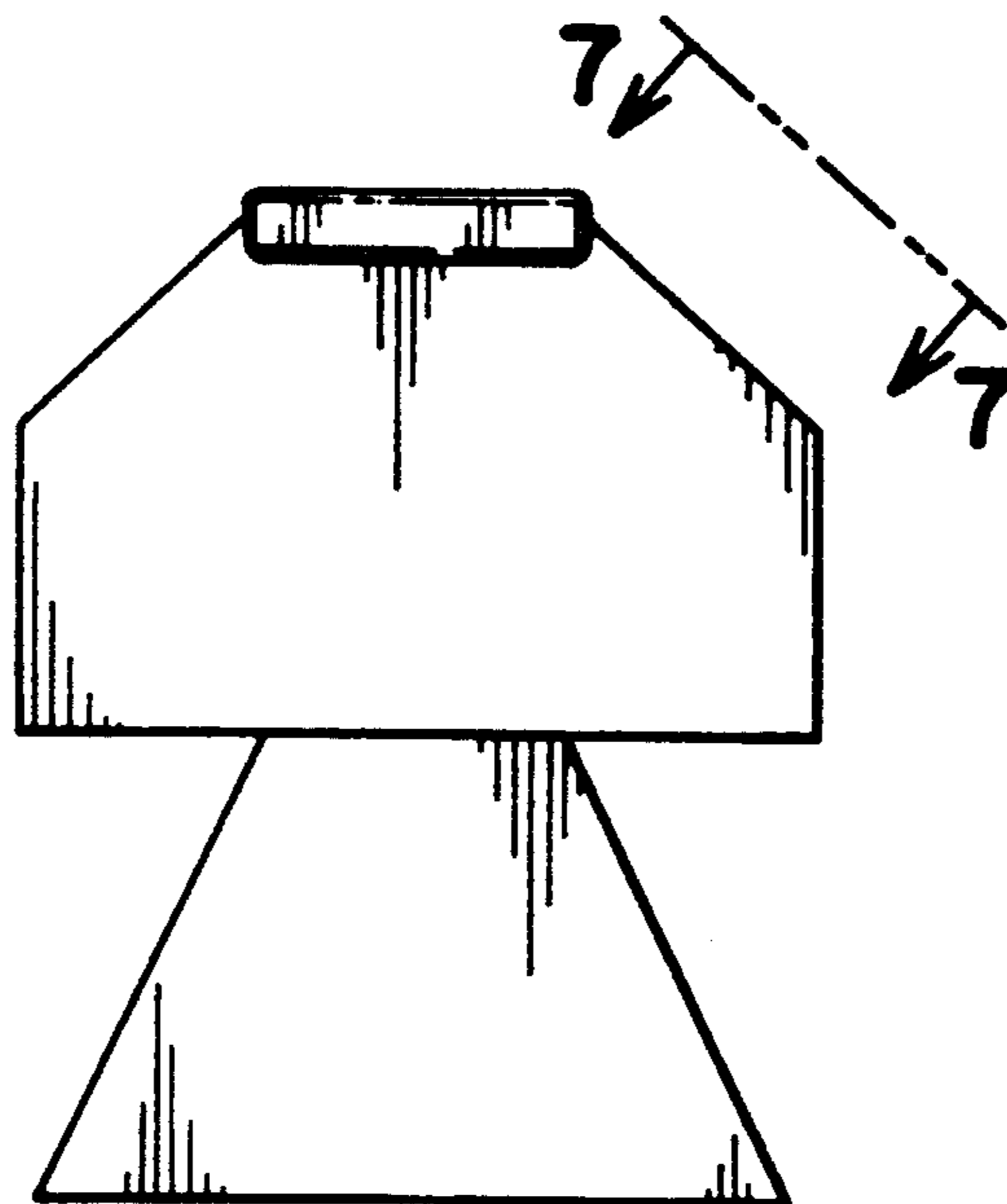


FIG. 3

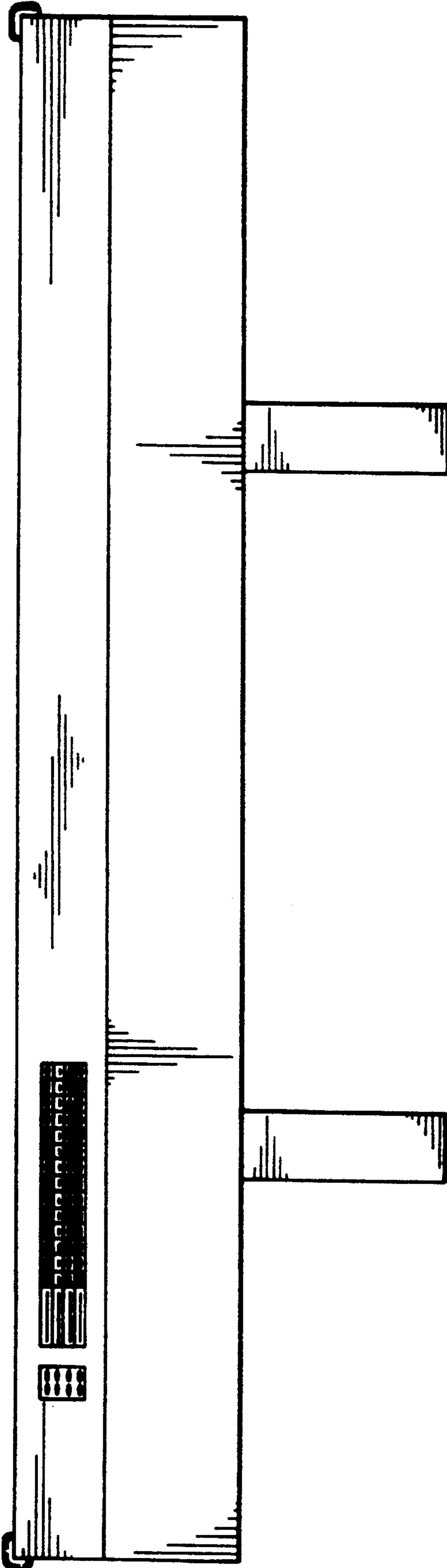


FIG. 4

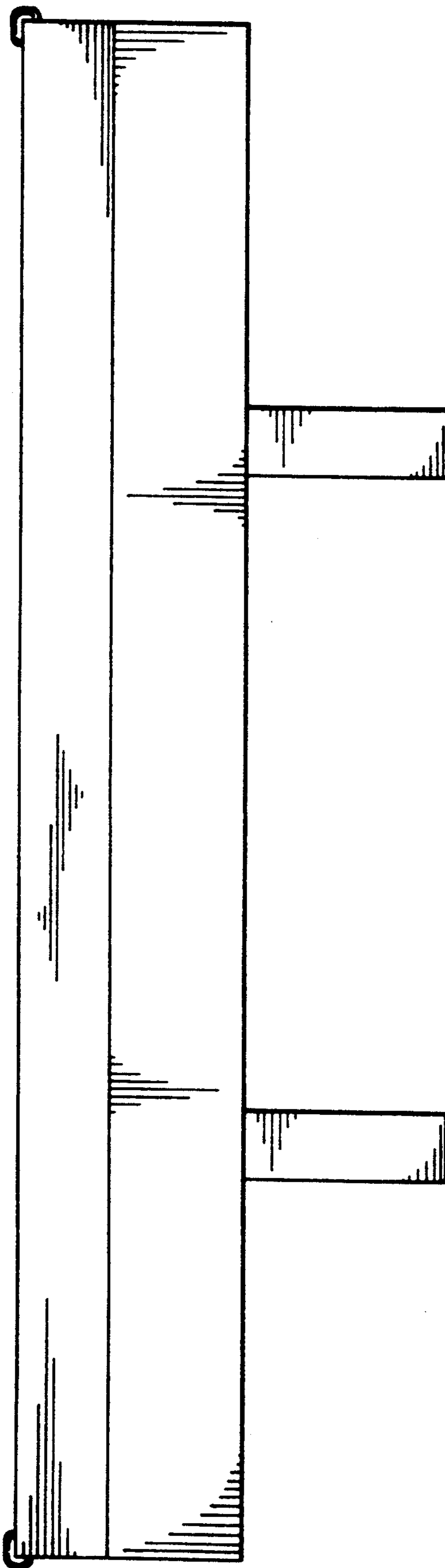


FIG. 5

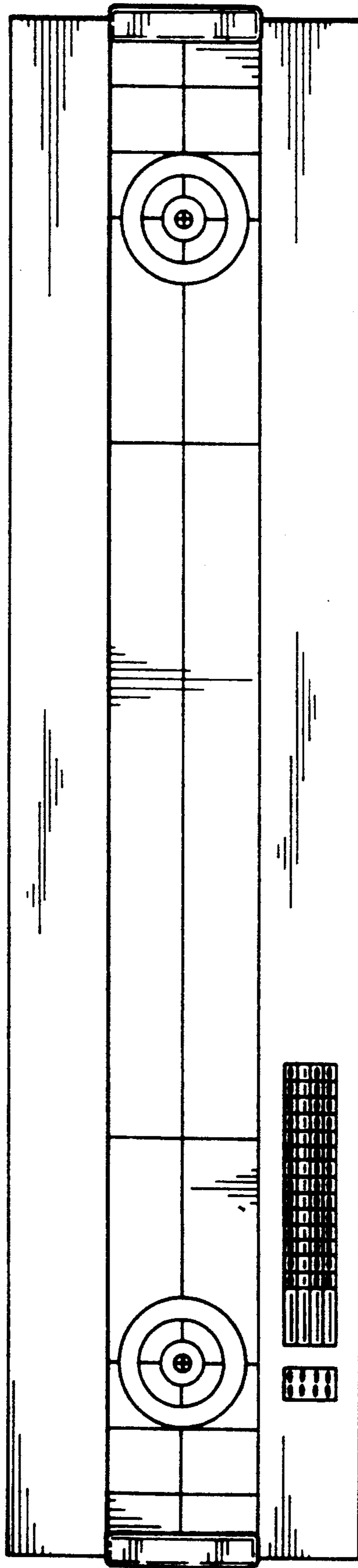
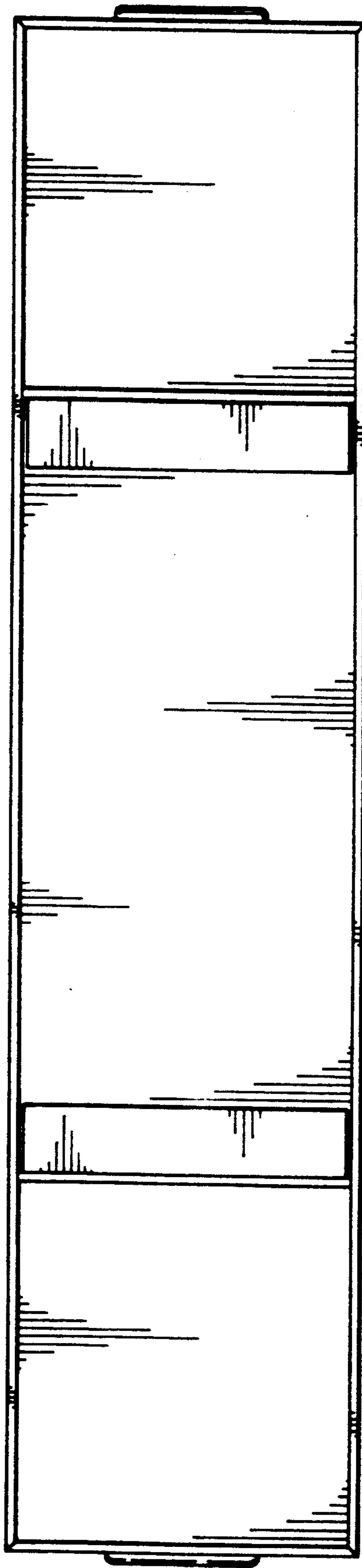


FIG. 6



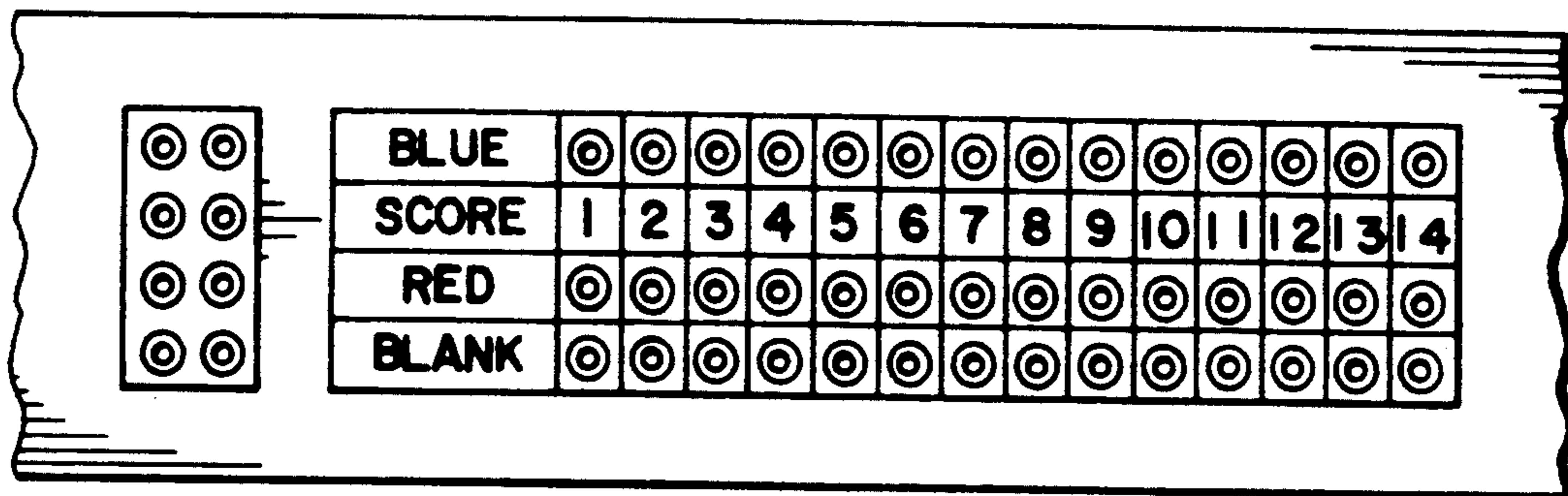


FIG. 7