



US00D344765S

# United States Patent [19]

[11] Patent Number: **Des. 344,765**

Miller, Jr.

[45] Date of Patent: **\*\* Mar. 1, 1994**

[54] FOOTBALL TARGET

3,419,272	12/1968	Miller .	
4,335,988	8/1985	Foley .....	273/55 D
4,637,615	1/1987	Foreman .....	273/407
4,917,388	4/1990	Marquardt .....	273/407 X
4,940,232	7/1990	Chen .....	273/407 X
5,141,440	8/1992	Wallingford .....	472/128 X

[76] Inventor: **Charlie D. Miller, Jr.**, 8509 Abbey Ct., Rowlett, Tex. 75088

[\*\*] Term: **14 Years**

[21] Appl. No.: **9,690**

[22] Filed: **Jun. 21, 1993**

*Primary Examiner*—Prabhakar G. Deshmukh  
*Attorney, Agent, or Firm*—Katherine McGuire

### [57] CLAIM

The ornamental design for football target, as shown and described.

### Related U.S. Application Data

[63] Continuation of Ser. No. 887,928, May 26, 1992, abandoned.

[52] U.S. Cl. .... **D21/5**

[58] **Field of Search** ..... 273/55 D, 181 R, 407, 273/402, 400, 35 R, 55 R, 398; 472/128; D21/1, 2, 5, 48, 191

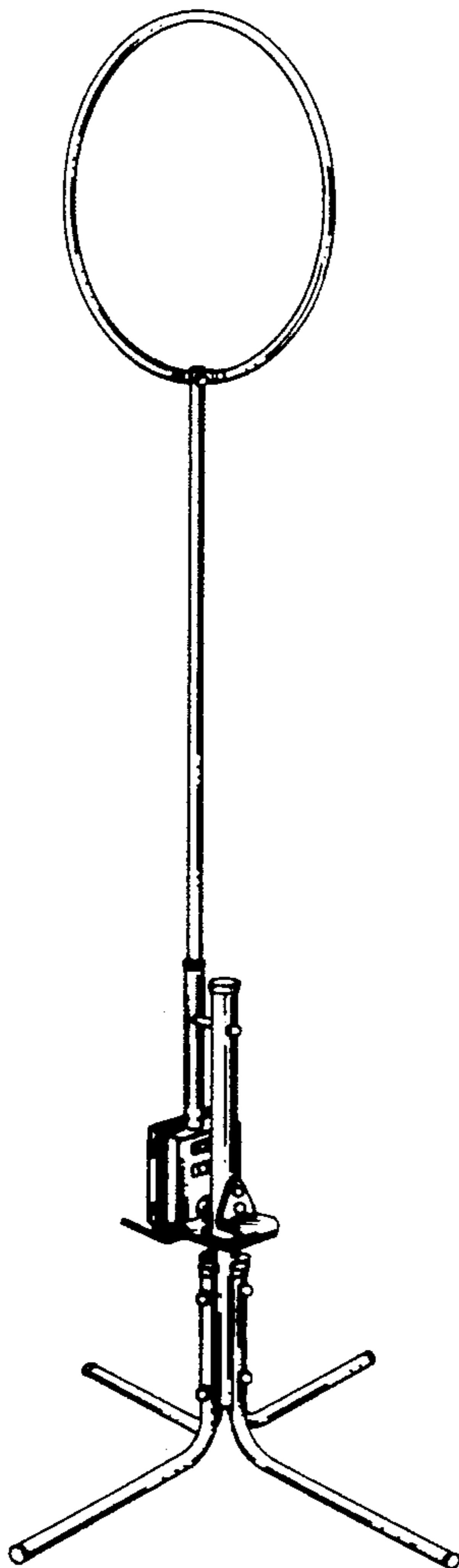
### DESCRIPTION

FIG. 1 is a perspective view of a football target showing my new design;  
FIG. 2 is a front elevational view thereof;  
FIG. 3 is a rear elevational view thereof;  
FIG. 4 is a left side elevational view thereof;  
FIG. 5 is a right side elevational view thereof;  
FIG. 6 is a top plan view thereof; and,  
FIG. 7 in a bottom plan view thereof.  
FIGS. (2-7 inclusive) are shown as fragmentary views and in an enlarged scale for ease of illustration.

### [56] References Cited

#### U.S. PATENT DOCUMENTS

D. 189,850	3/1961	Jones .....	D21/5
D. 194,920	4/1963	Darling .....	D21/5
D. 329,665	9/1992	Carroll .....	D21/5



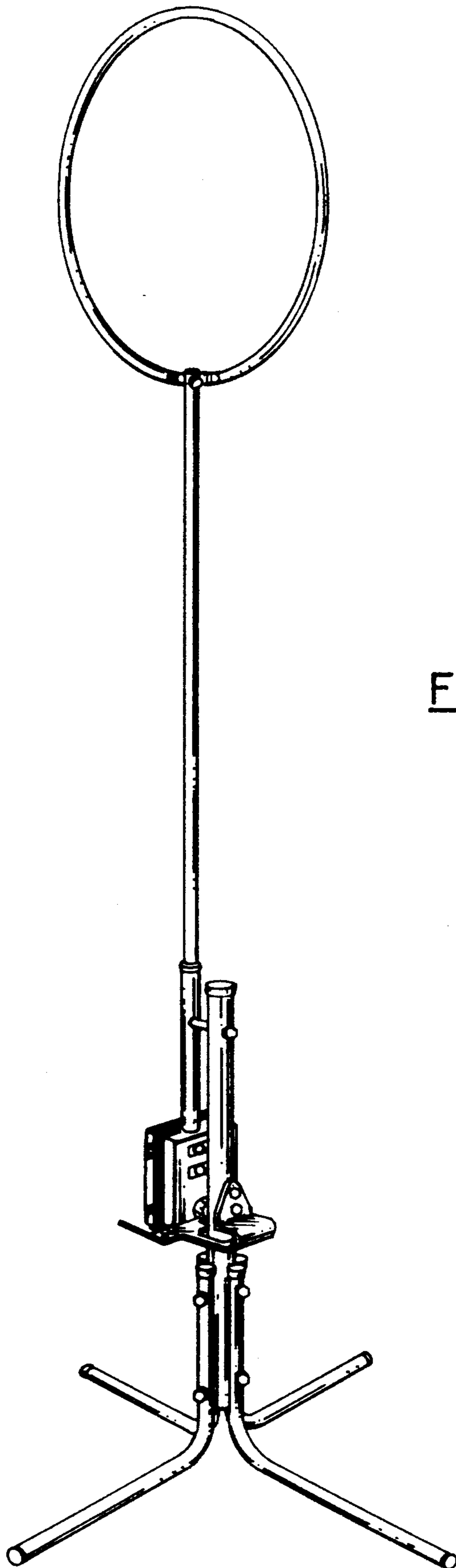
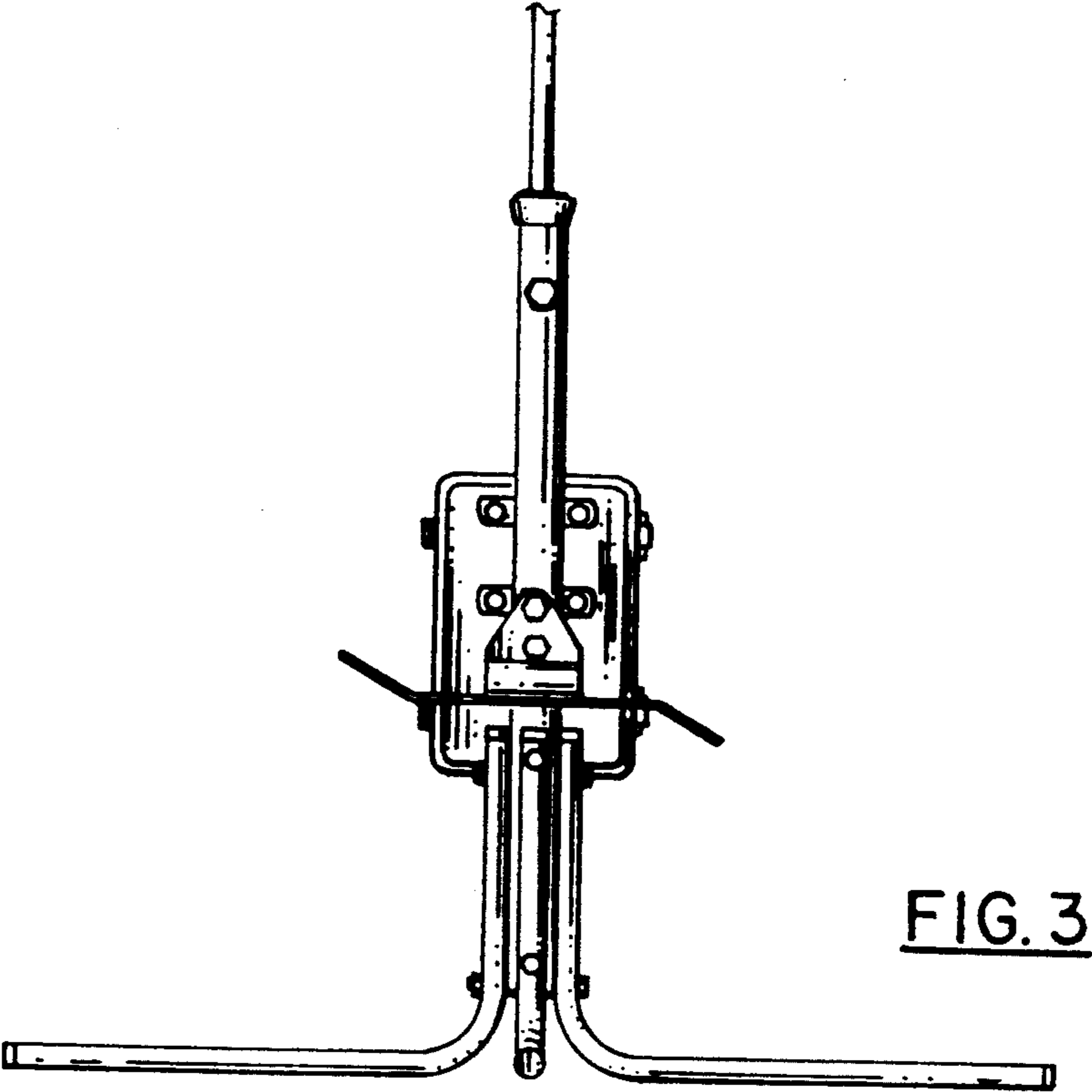
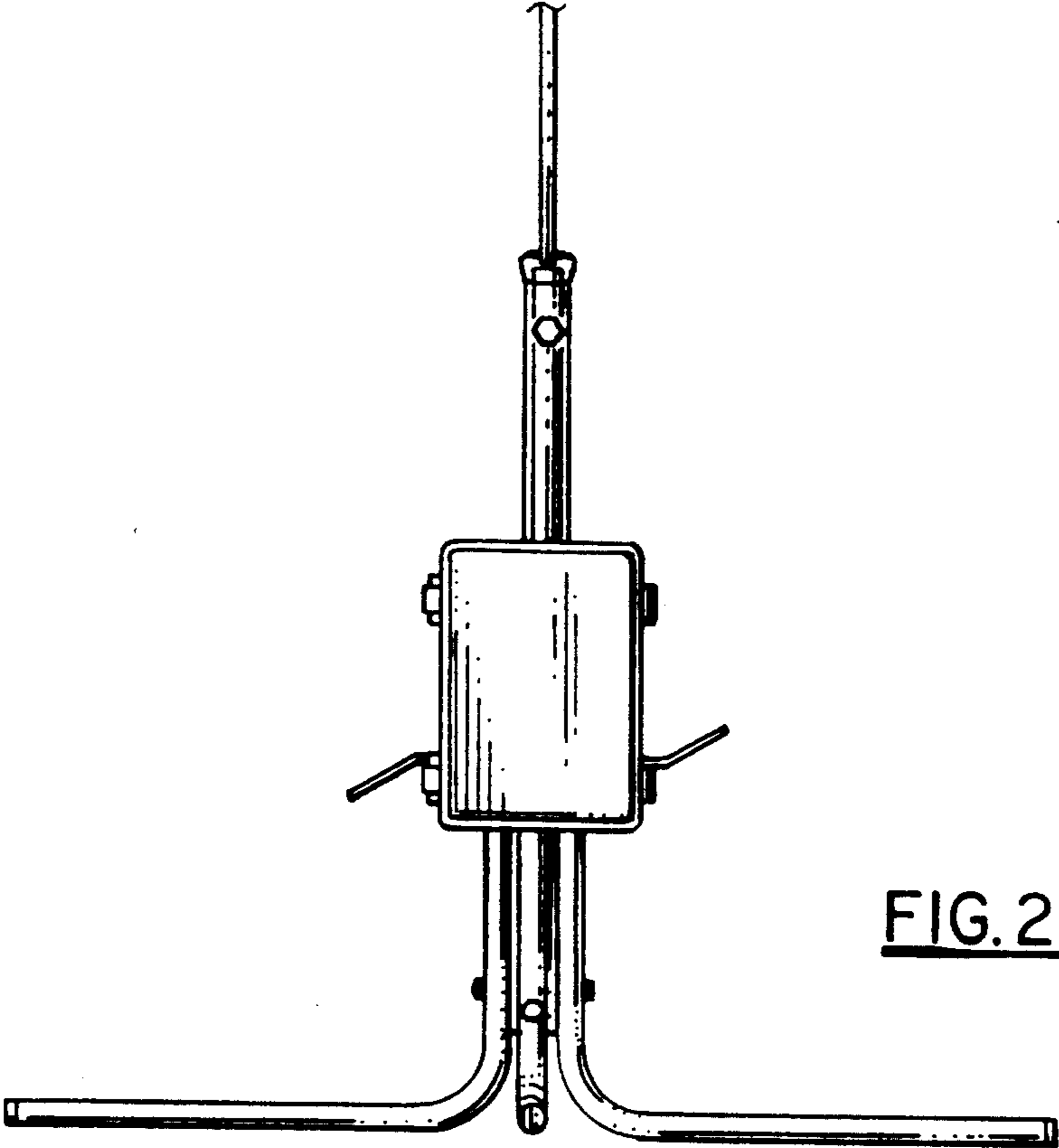


FIG. 1



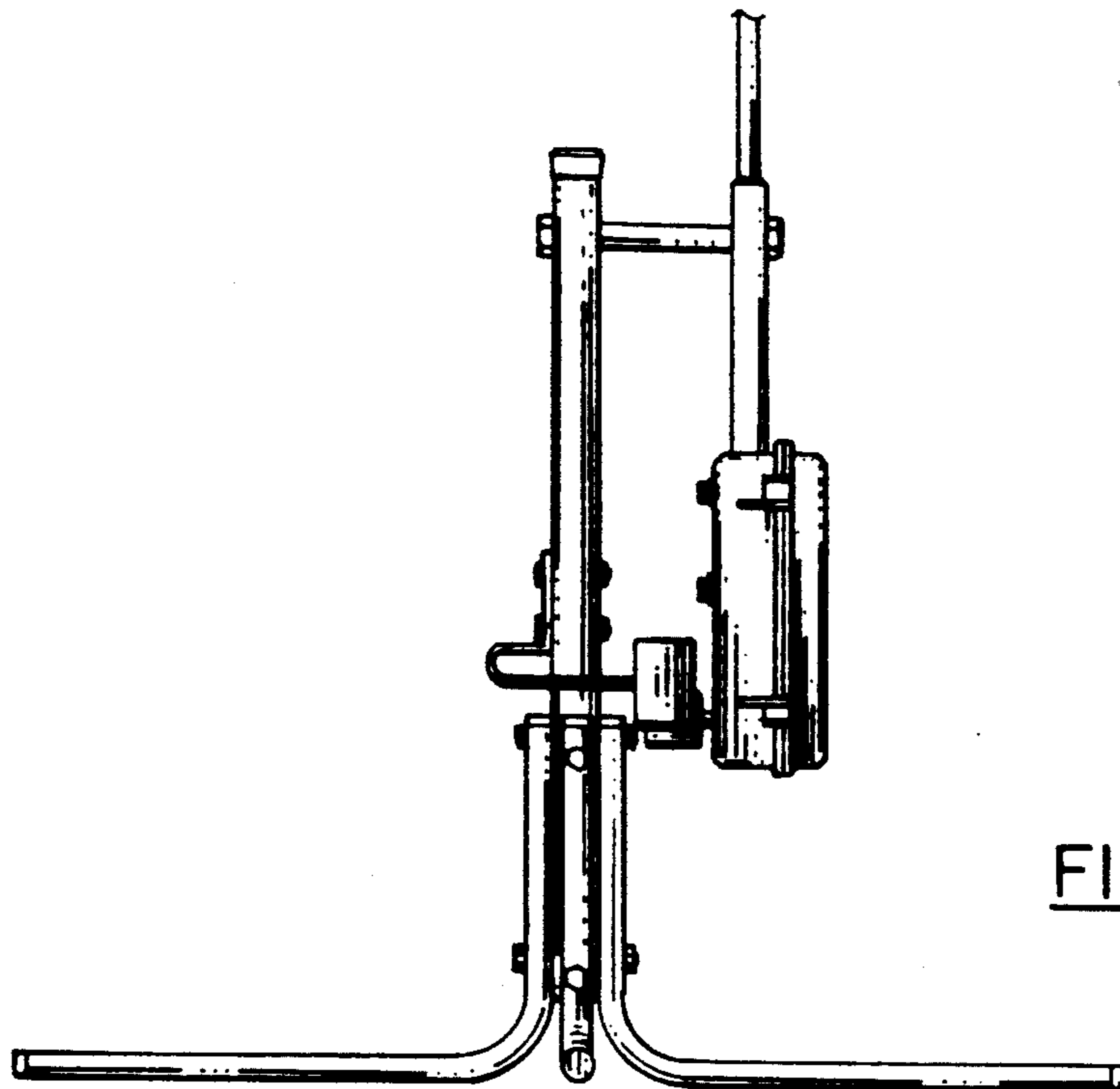


FIG. 4

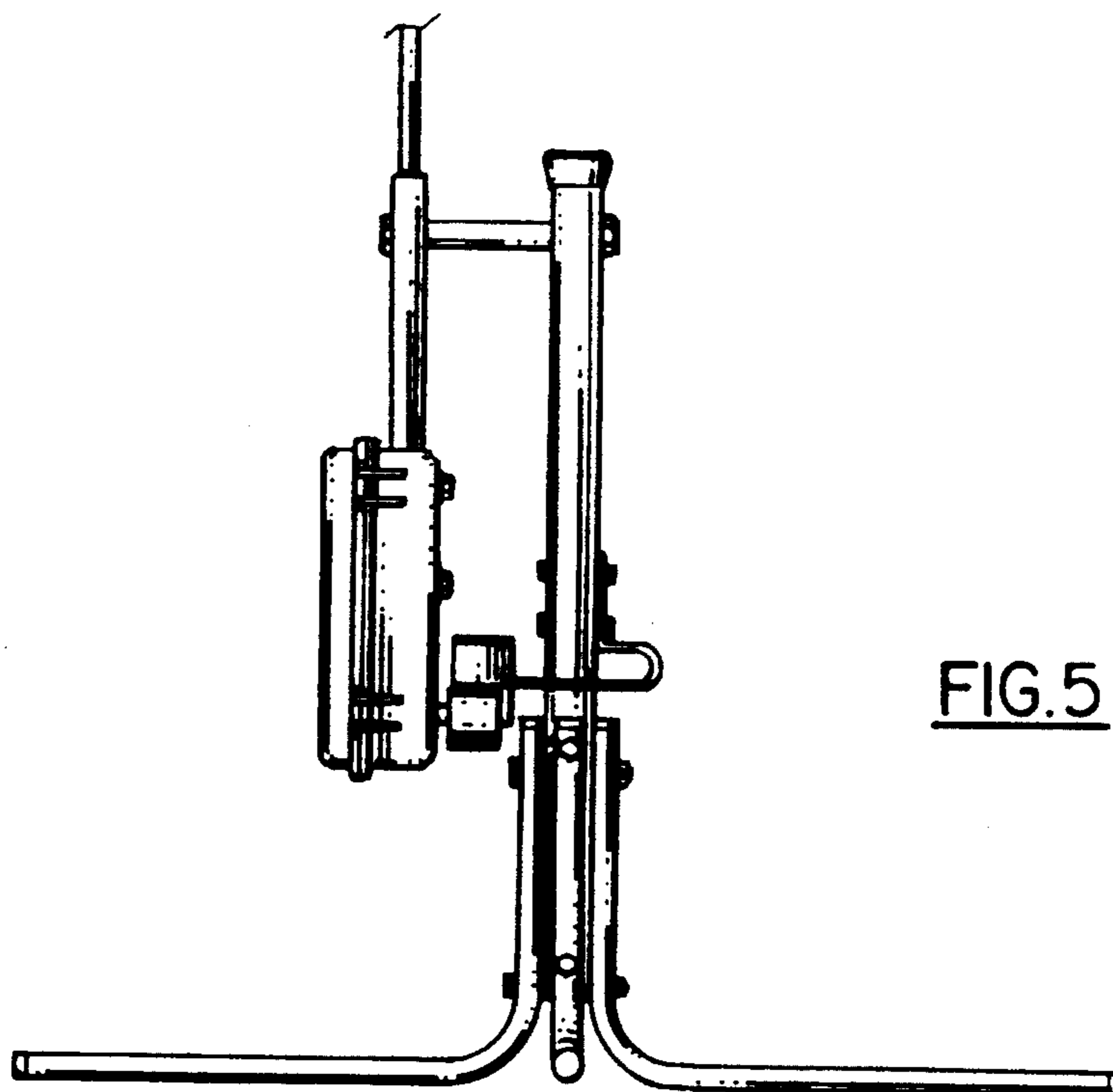


FIG. 5

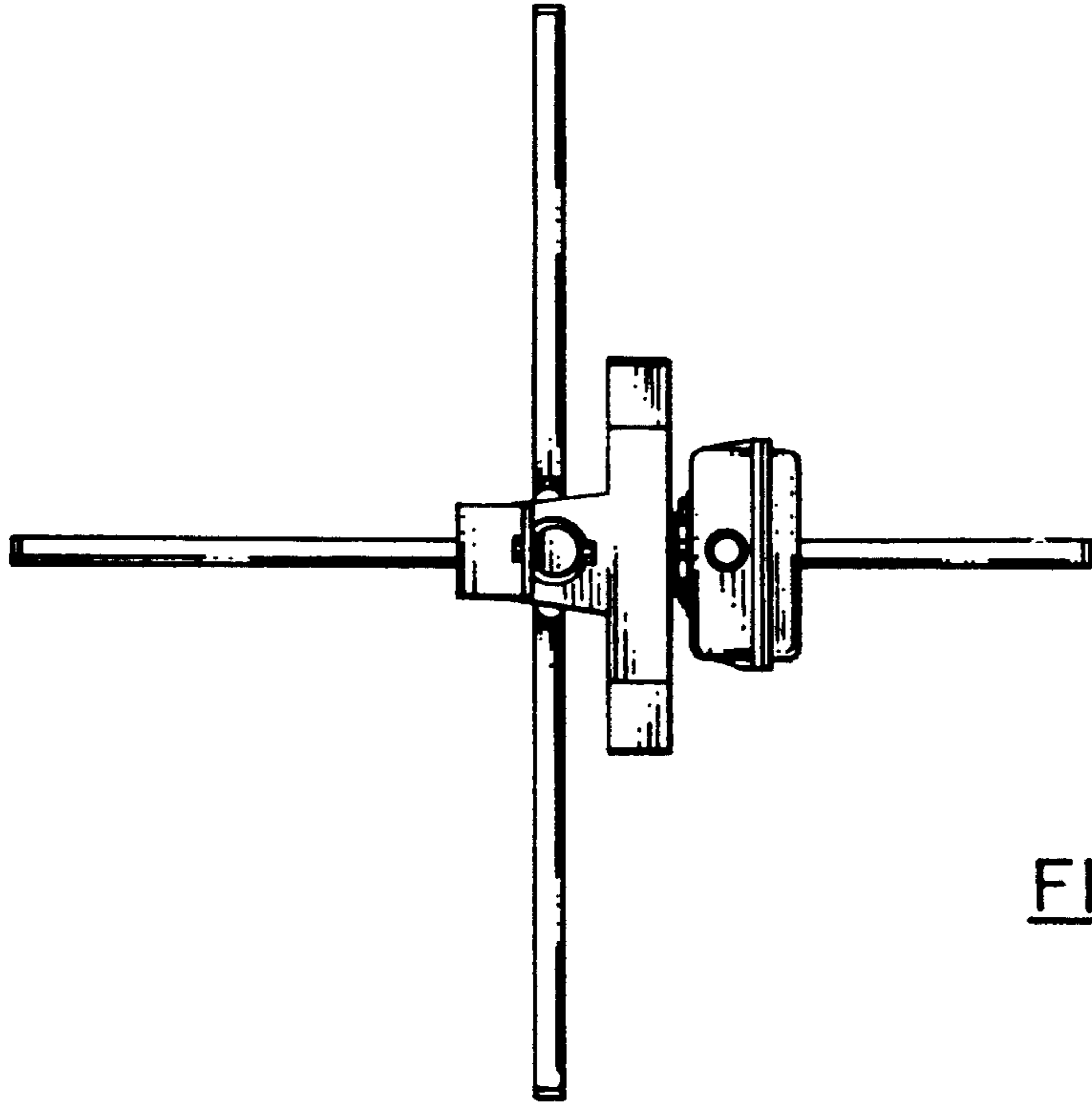


FIG. 6

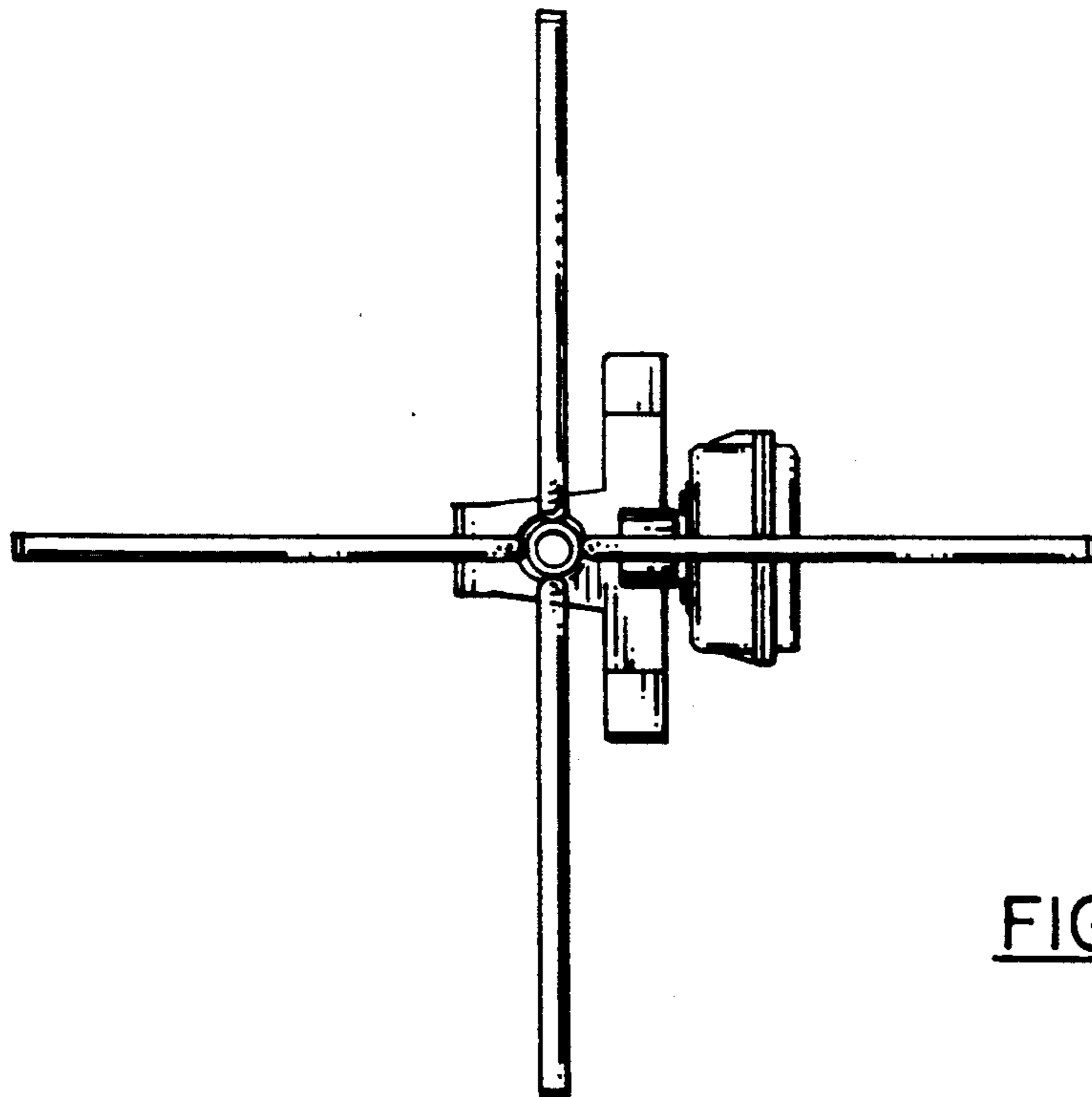


FIG. 7