



US00D344763S

United States Patent [19]

[11] Patent Number: **Des. 344,763**

Vitantonio et al.

[45] Date of Patent: **** Mar. 1, 1994**

[54] **IDENTIFICATION COLLAR FOR CONTAINERS**

[75] Inventors: **Thomas W. Vitantonio**, Chesterland; **Reese C. Armstrong**, Mentor on the Lake; **Randall P. Serpico**, Geneva; **Bobby J. Shepard, Jr.**, Mentor, all of Ohio

[73] Assignee: **Whitey Co.**, Highland Heights, Ohio

[**] Term: **14 Years**

[21] Appl. No.: **920,046**

[22] Filed: **Jul. 27, 1992**

[52] U.S. Cl. **D20/28; D9/434**

[58] Field of Search **40/1, 1.5, 306, 310, 40/311, 331, 628, 631; D9/434; D20/10, 22, 23, 27, 28, 37, 99**

[56] **References Cited**

U.S. PATENT DOCUMENTS

490,720	1/1893	Ogram	40/311
1,878,541	9/1932	Reinhold	40/311
2,888,159	5/1959	Fields	40/311
3,766,882	10/1973	Babbitt	40/311

3,787,993	1/1974	Lyon	.
4,640,031	2/1987	Hoek et al.	.
4,759,139	7/1988	Ricks	.
4,827,643	5/1989	Hearst et al.	.
4,913,083	4/1990	Valvo et al. 40/311

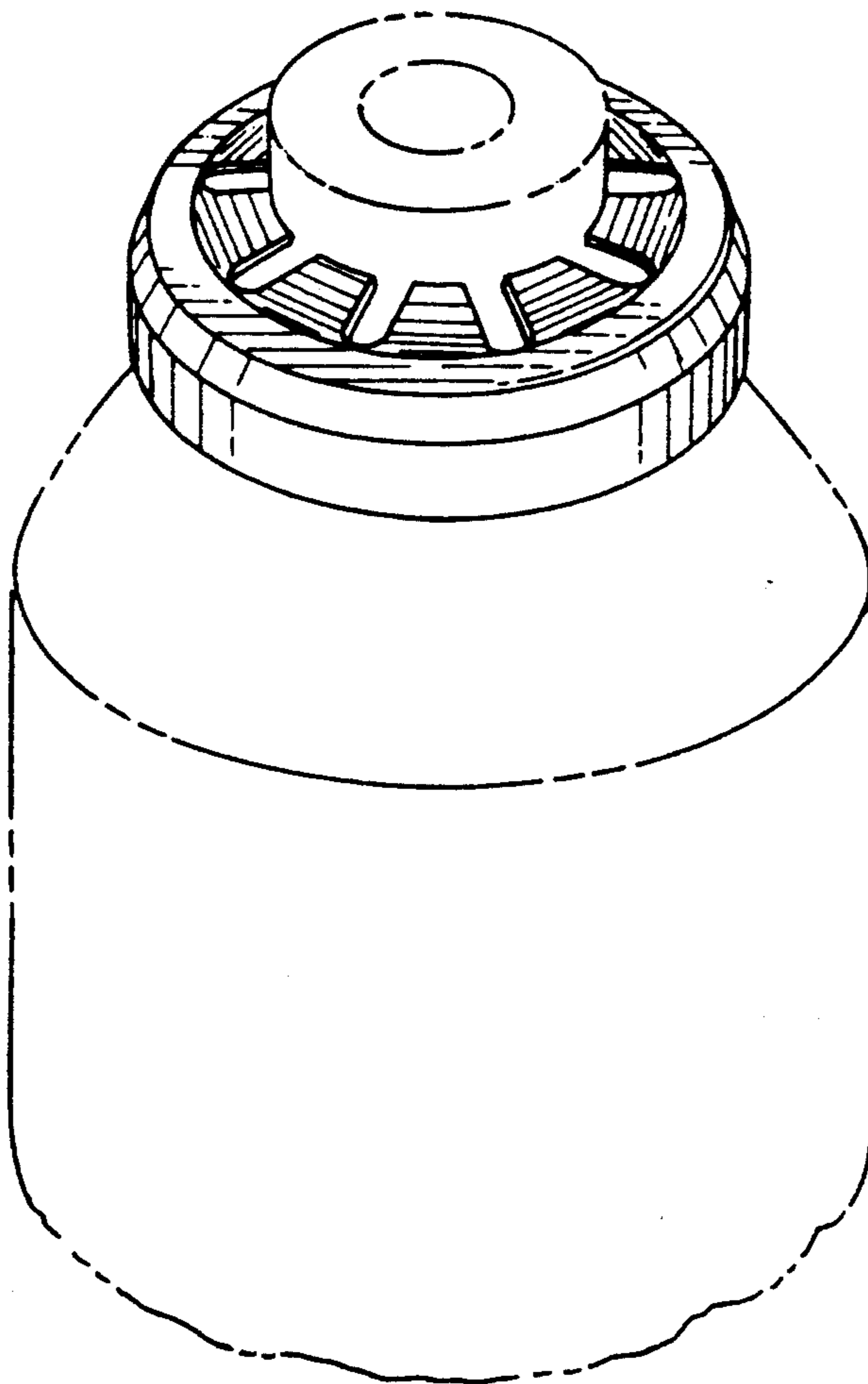
Primary Examiner—Wallace R. Burke
Assistant Examiner—Marcus Jackson
Attorney, Agent, or Firm—Fay, Sharpe, Beall, Fagan, Minnich & McKee

[57] **CLAIM**

The ornamental design for identification collar for containers, as shown and described.

DESCRIPTION

FIG. 1 is a perspective view of an identification collar for containers showing our new design; FIG. 2 is a top plan view thereof; FIG. 3 is a side elevational view thereof; FIG. 4 is a bottom plan view thereof; and, FIG. 5 is a perspective view thereof, with the collars shown stacked. The broken line showing of the associated cylinder in FIG. 1 and ring in FIG. 5 is for illustrative purposes only and forms no part of the claimed design.



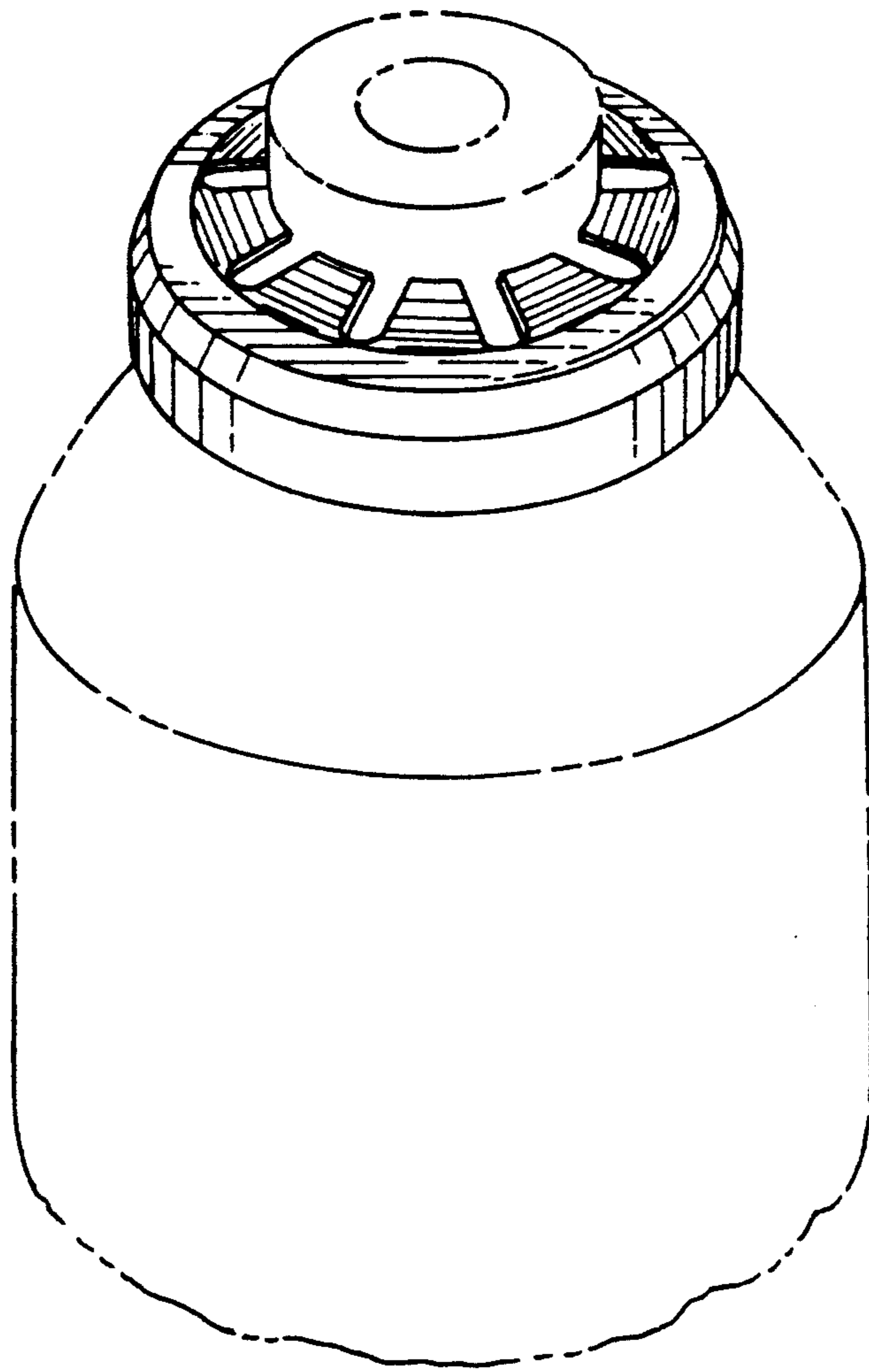


FIG. 1

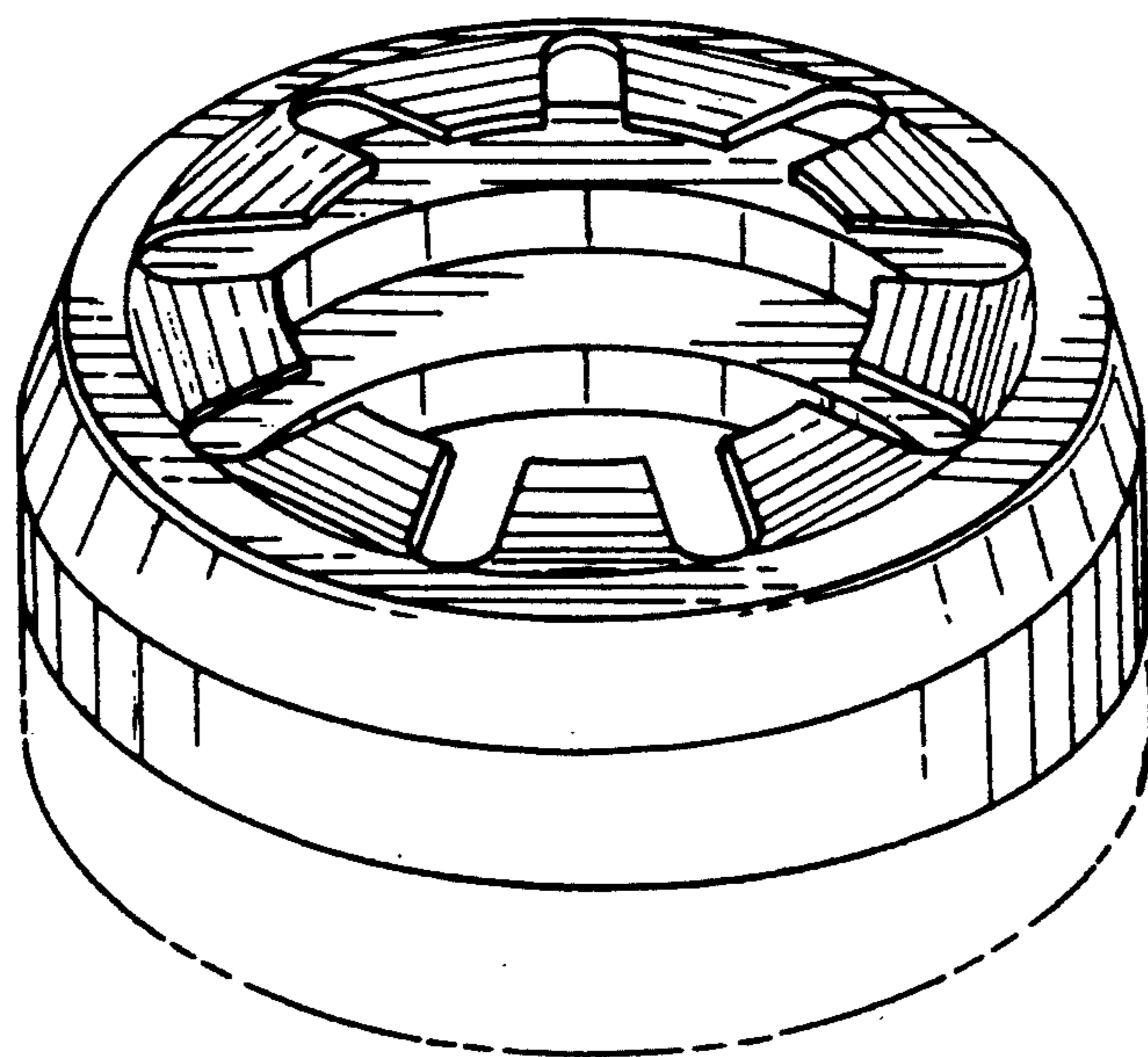


FIG. 5

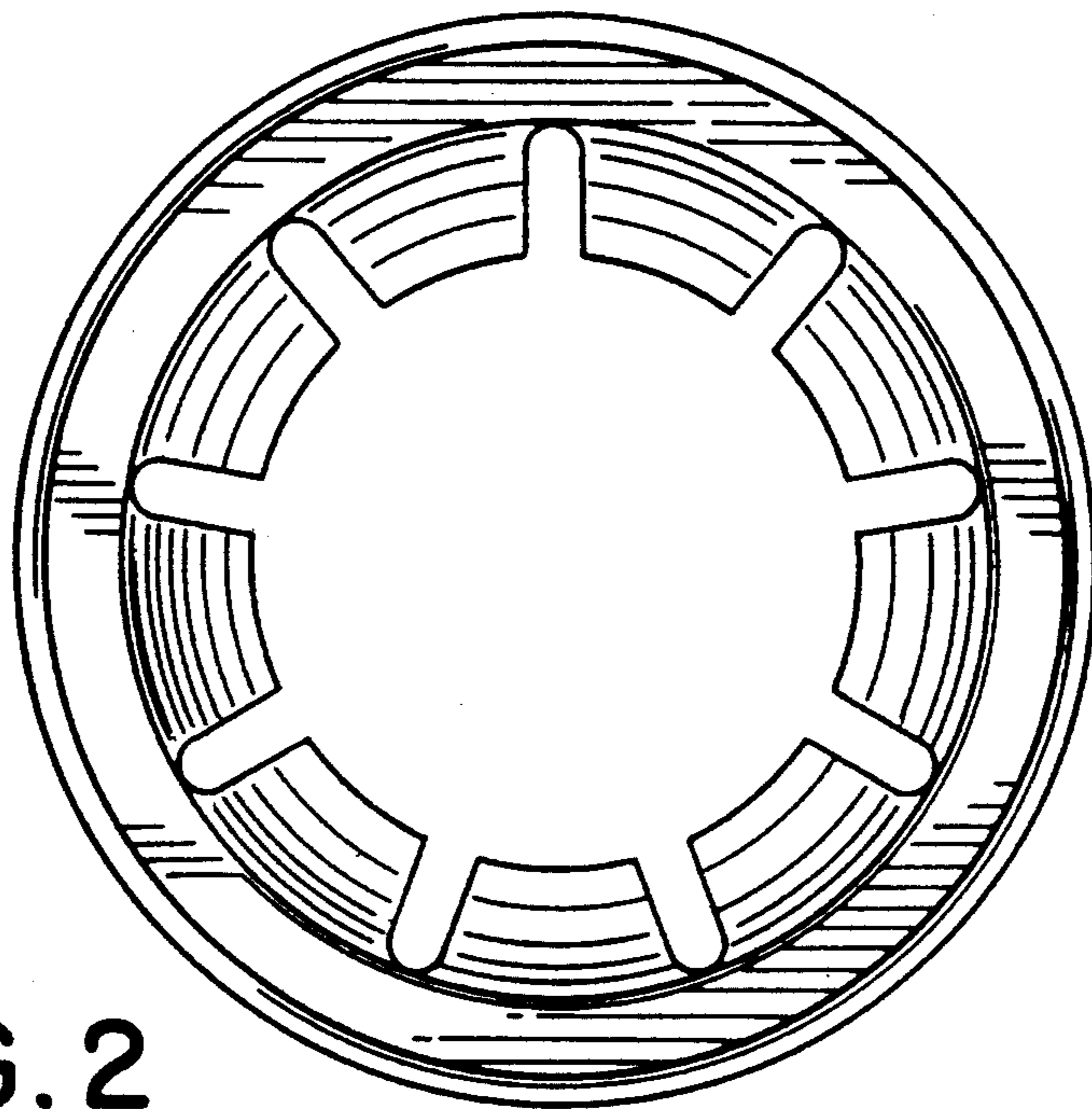


FIG. 2

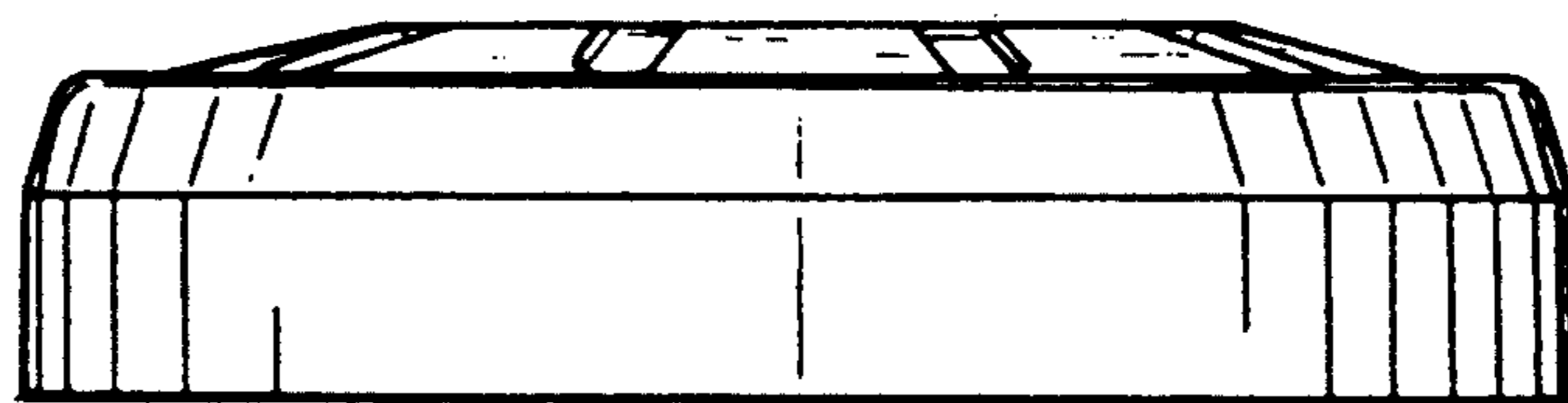


FIG. 3

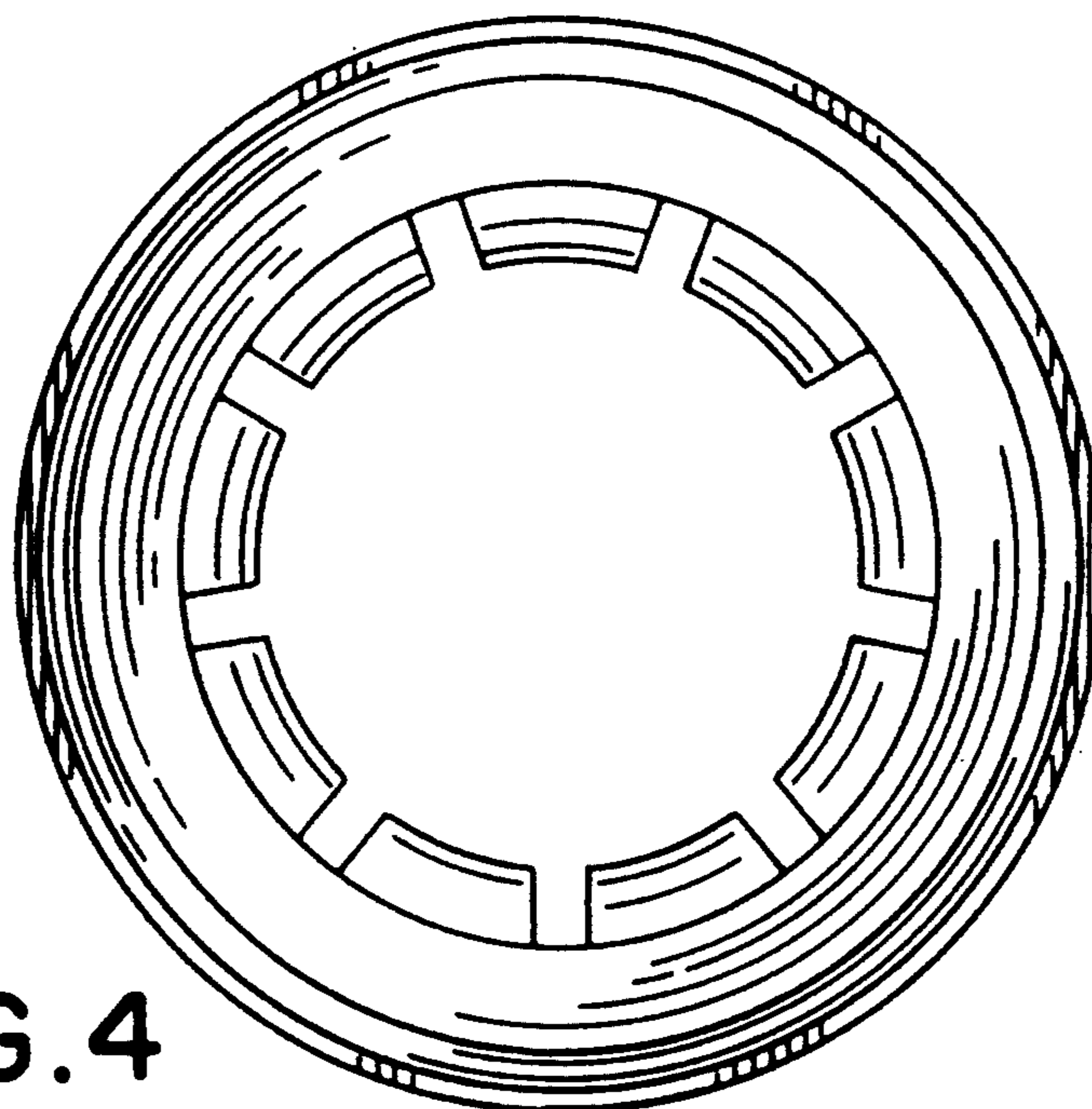


FIG. 4