



US00D344762S

United States Patent [19]

[11] Patent Number: **Des. 344,762**

Peterson

[45] Date of Patent: **** Mar. 1, 1994**

[54] **TWO-TIERED CAROUSEL VENDING MACHINE**

3,341,267	9/1967	Weitzman	221/281 X
4,896,798	1/1990	Milton	194/255 X
5,082,101	1/1992	Baker et al.	194/350
5,131,519	7/1992	Ra	194/350

[76] Inventor: **Ray G. Peterson, P.O. Box 3111, Idaho Falls, Id. 83403**

Primary Examiner—Bernard Ansher
Assistant Examiner—Paula Mortimer
Attorney, Agent, or Firm—Thorpe, North & Western

[**] Term: **14 Years**

[21] Appl. No.: **862,253**

[57] **CLAIM**

[22] Filed: **Apr. 1, 1992**

The ornamental design for a two-tiered carousel vending machine, as shown and described.

[52] U.S. Cl. **D20/7**

[58] Field of Search 194/292, 225, 350;
221/92, 281; 222/352, 350; D20/7, 6, 5, 4, 3;
D25/16

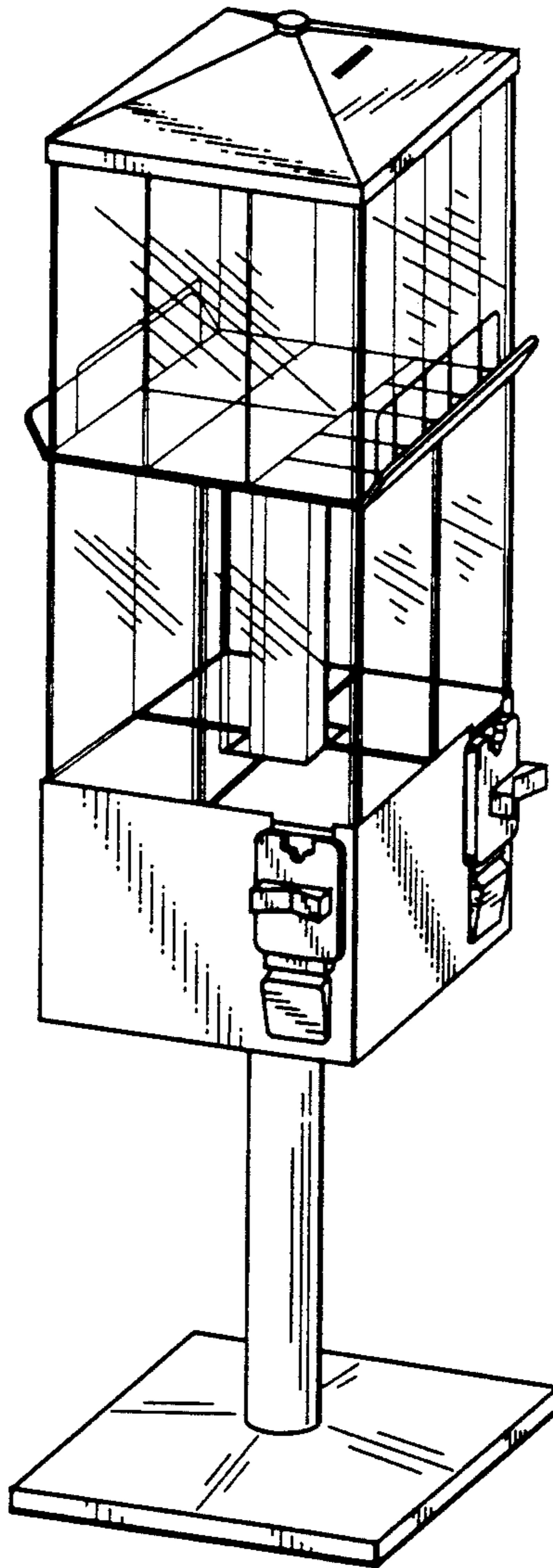
DESCRIPTION

[56] **References Cited**

U.S. PATENT DOCUMENTS

D. 331,603 12/1992 Peterson D20/7

FIG. 1 is a perspective view of a two-tiered carousel vending machine showing my new design; FIG. 2 is a side elevational view thereof with the other three sides being substantially the same; FIG. 3 is a top plan view thereof; and, FIG. 4 is a bottom plan view.



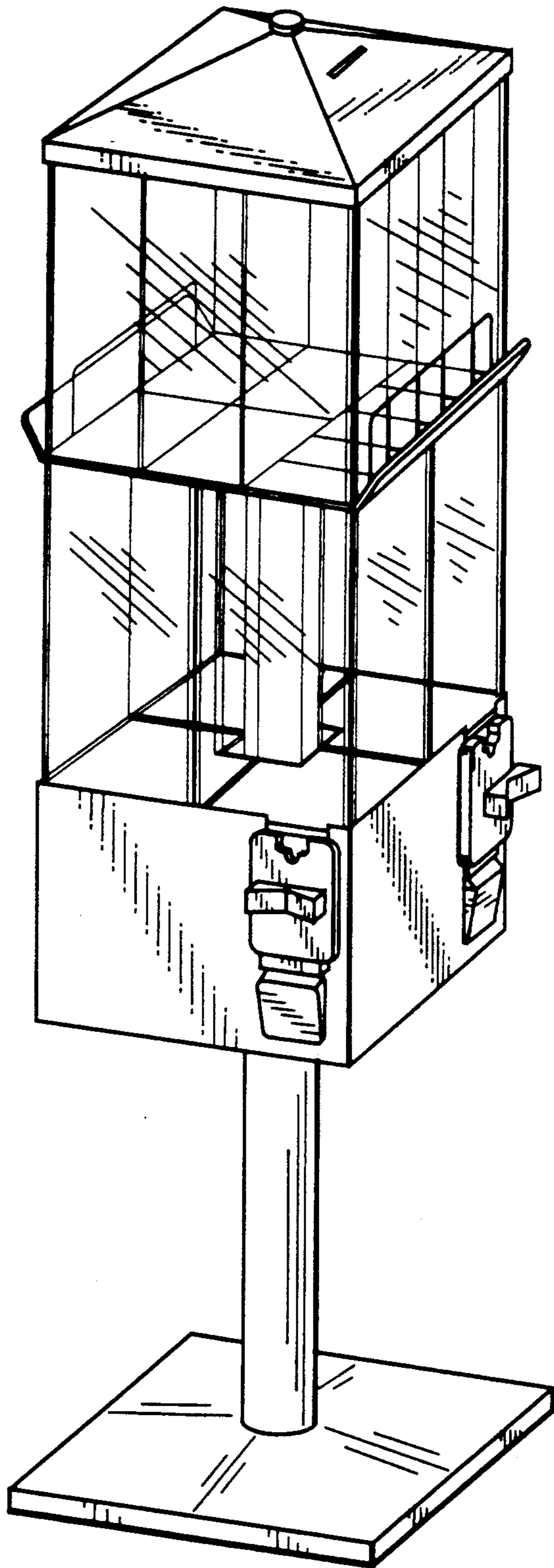


Fig. 1

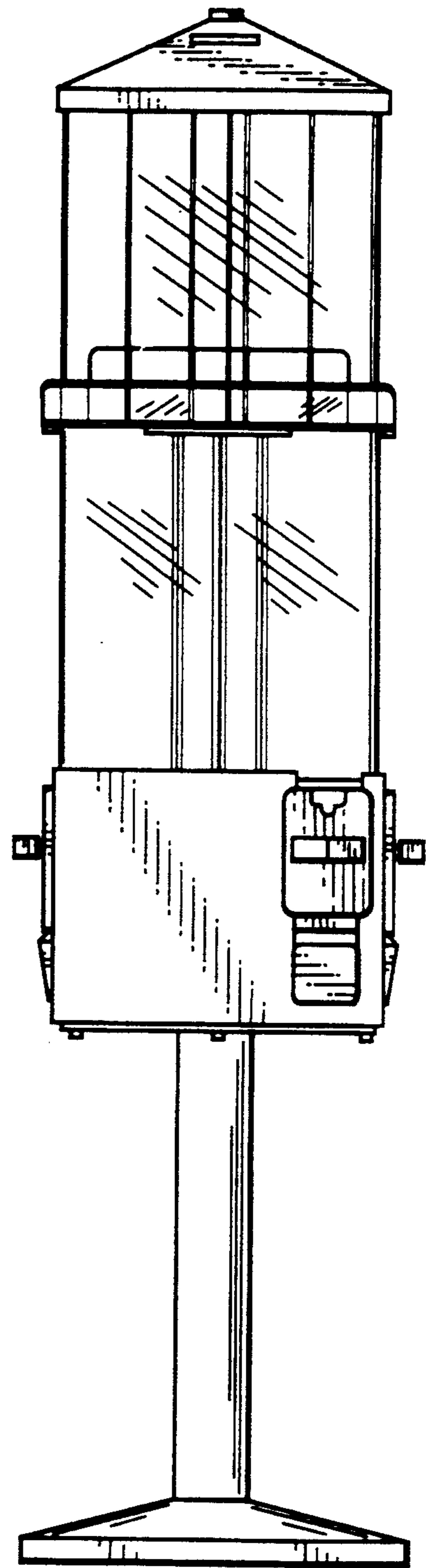


Fig. 2

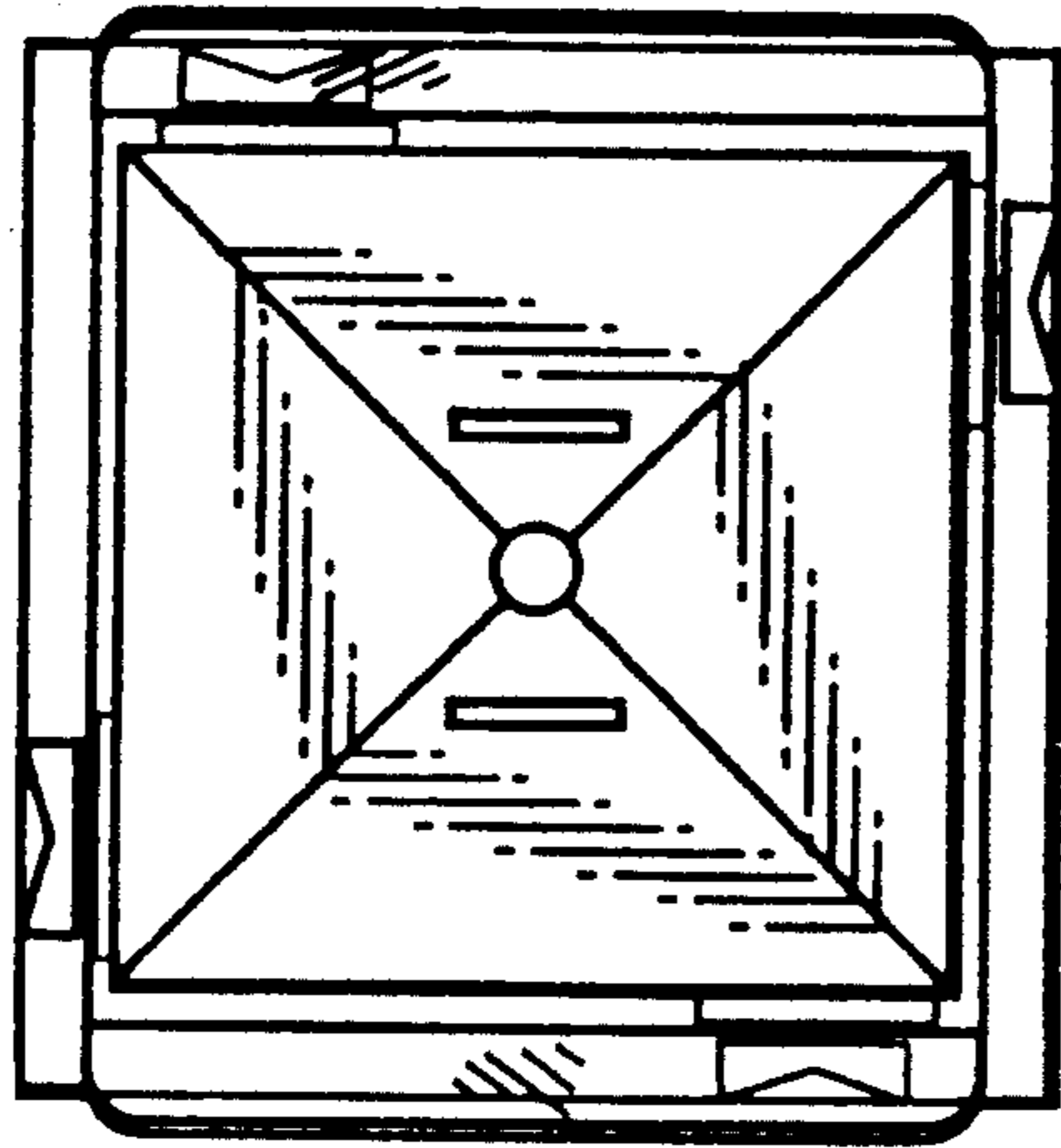


Fig. 3

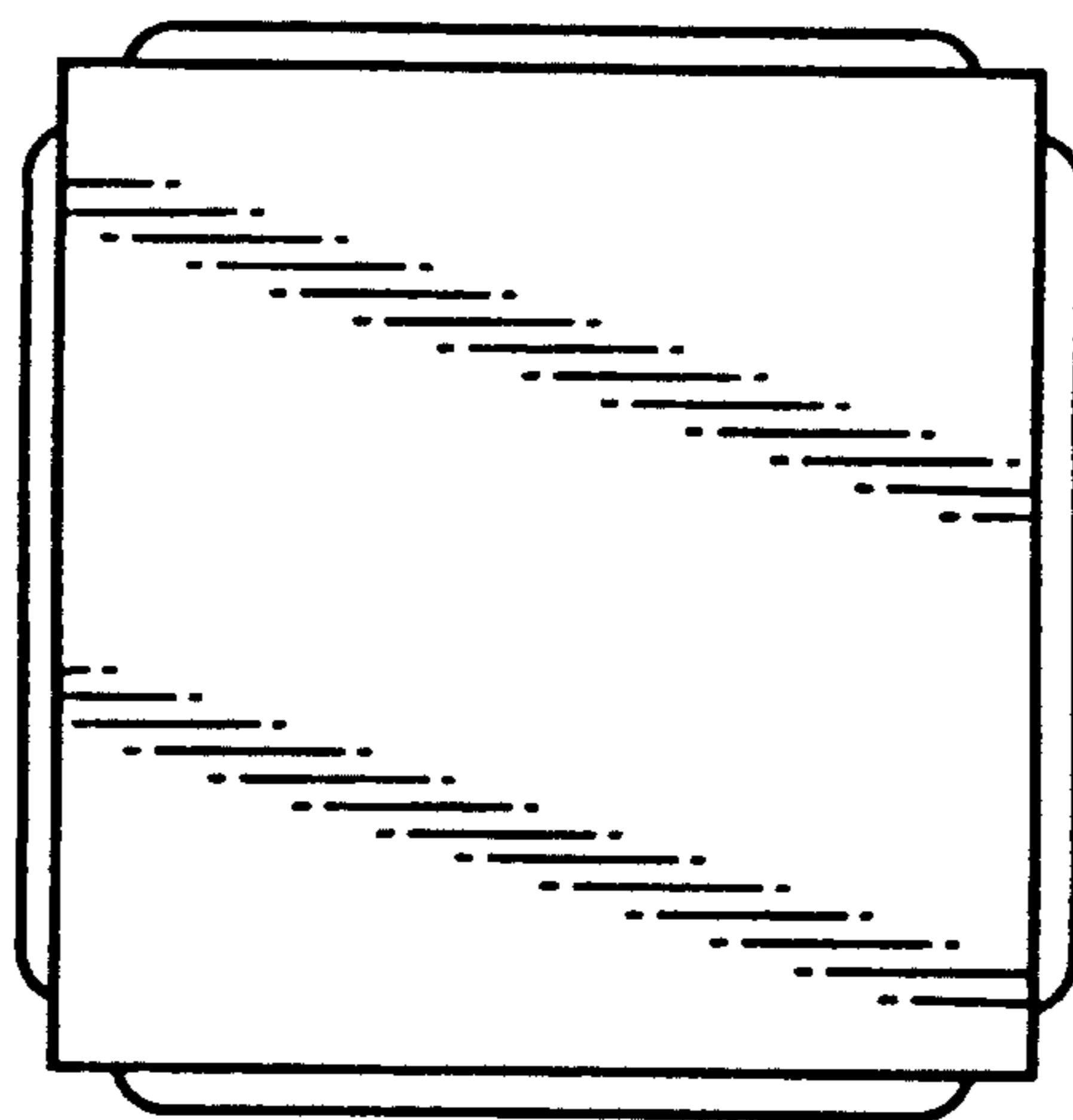


Fig. 4