



US00D344760S

United States Patent [19]
Monzyk

[11] **Patent Number: Des. 344,760**
[45] **Date of Patent: ** Mar. 1, 1994**

[54] **WRITING PEN**

[75] **Inventor: Ronald F. Monzyk, Washington, Mo.**

[73] **Assignee: Magnet Inc., Washington, Mo.**

[**] **Term: 14 Years**

[21] **Appl. No.: 1,933**

[22] **Filed: Nov. 25, 1992**

[52] **U.S. Cl. D19/49; D19/41;
D19/46**

[58] **Field of Search 401/99, 100, 116, 88;
D19/35, 36, 41-51, 54-58, 81-85**

[56] **References Cited**

U.S. PATENT DOCUMENTS

D. 195,924	8/1963	Perlmutter	D19/45
D. 207,563	5/1967	Bailey, Jr.	D19/36
D. 256,372	8/1980	Chu	D19/42
D. 276,479	11/1984	Mori	D19/36 X
D. 303,124	8/1989	Li	D19/41

D. 305,341	1/1990	Dolan, Sr.	D19/41
1,974,667	9/1934	Solinger	D19/36 X
3,168,072	2/1965	Nitta	401/6 X
4,076,995	11/1987	Dopp	401/6 X
4,815,880	3/1989	Sekiguchi	401/6

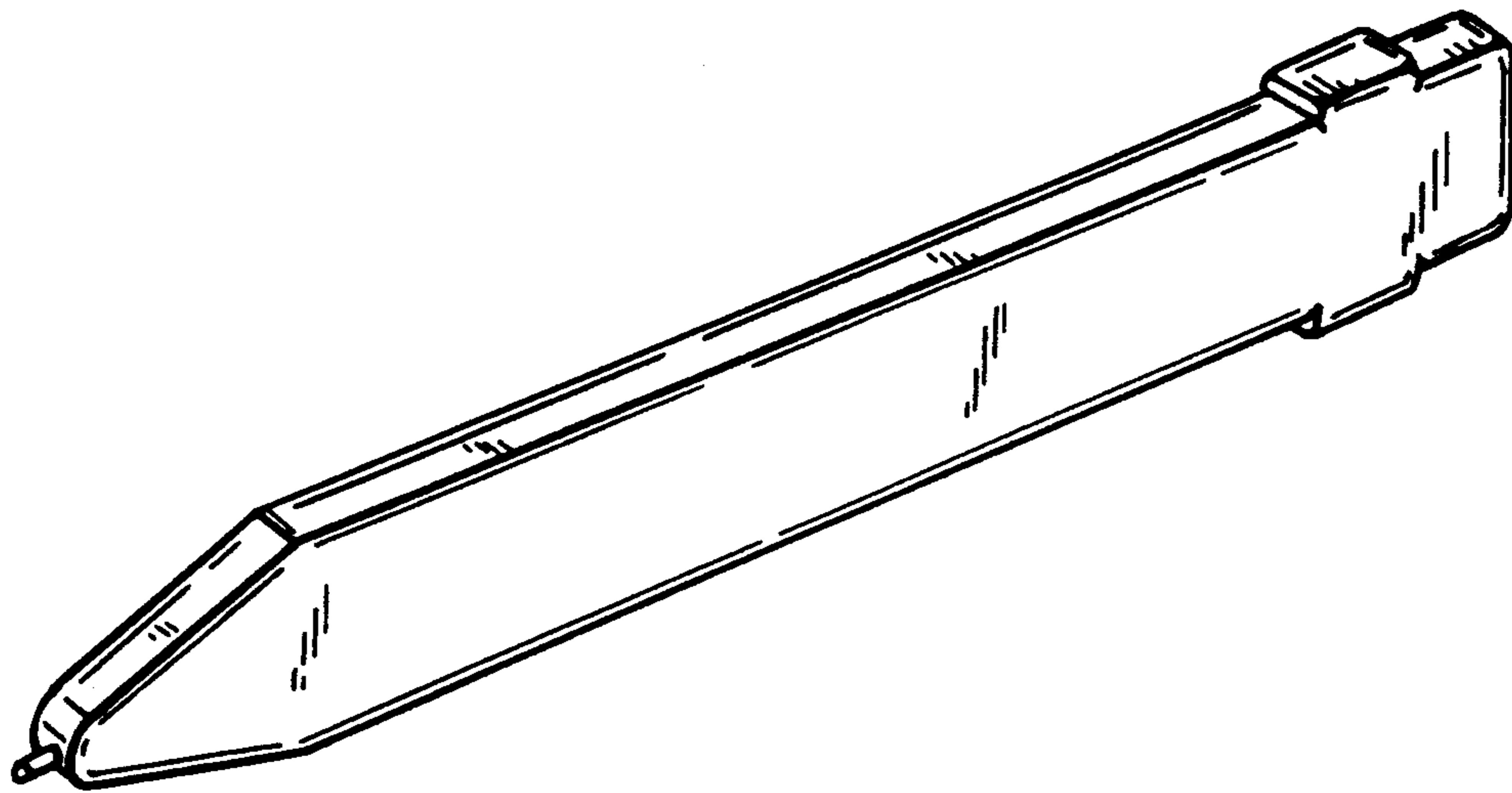
Primary Examiner—Nelson C. Holtje
Assistant Examiner—Martie Thompson
Attorney, Agent, or Firm—Rogers, Howell & Haferkamp

[57] **CLAIM**

The ornamental design for a writing pen, as shown and described.

DESCRIPTION

FIG. 1 is a front perspective view of a writing pen showing my new design;
FIG. 2 is a top plan view thereof;
FIG. 3 is a front elevational view thereof;
FIG. 4 is a left side elevational view thereof;
FIG. 5 is a right side elevational view thereof;
FIG. 6 is a bottom plan view thereof; and,
FIG. 7 is a rear elevational view thereof.



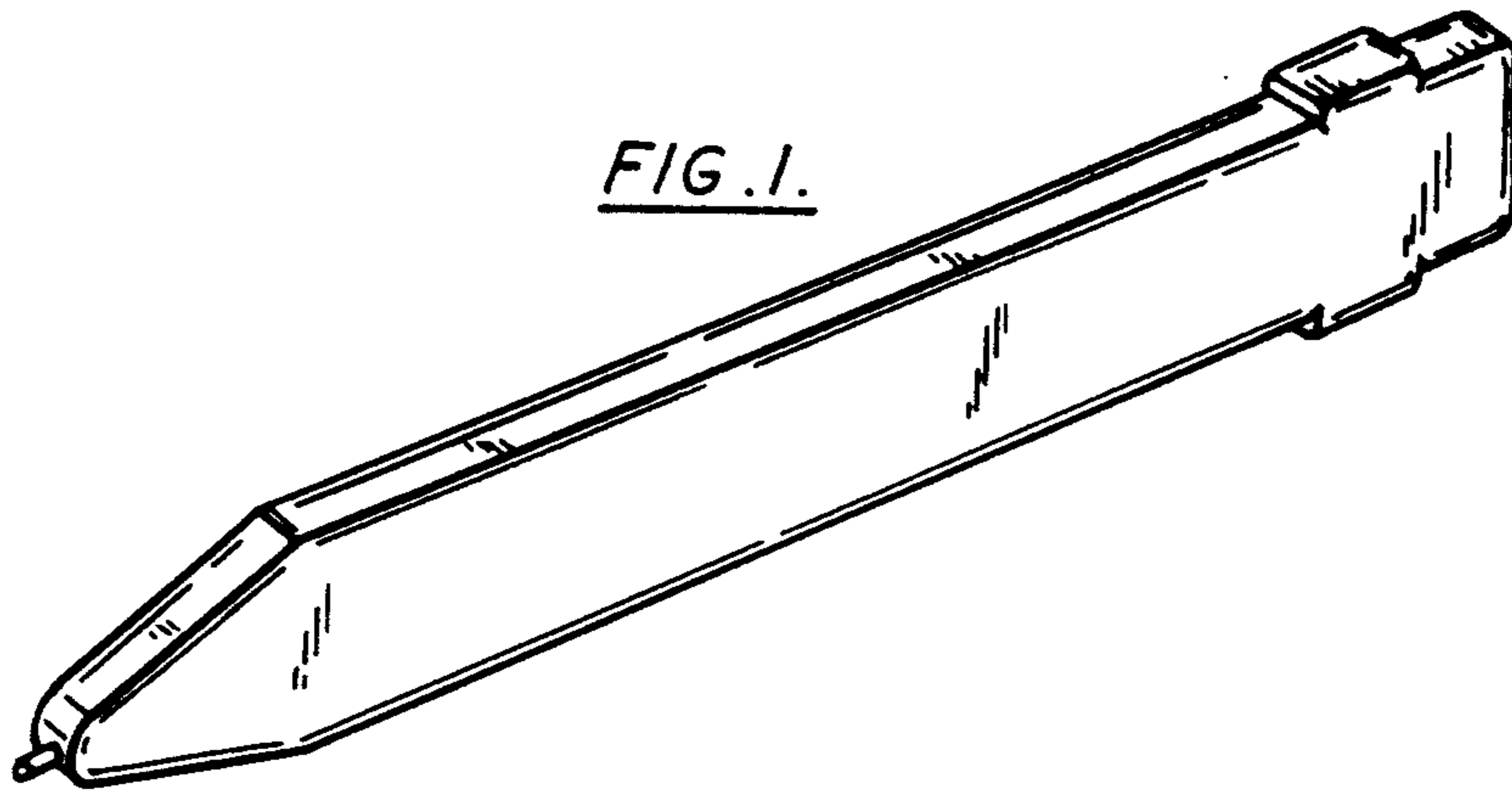


FIG. 1.



FIG. 2.



FIG. 4.

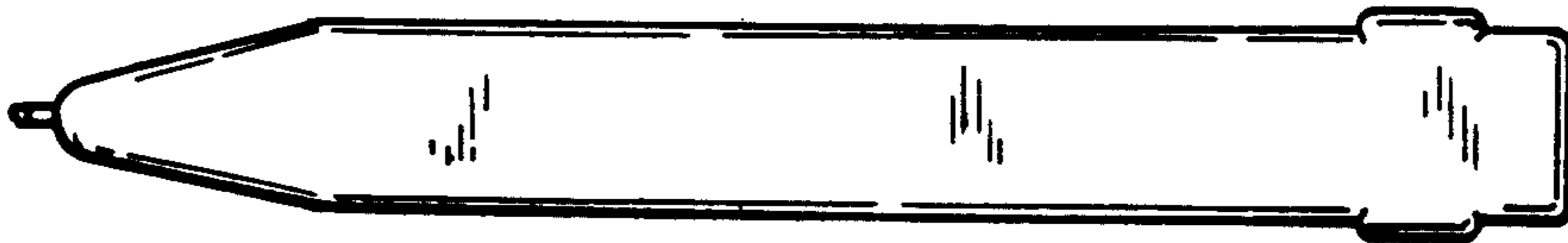


FIG. 3.



FIG. 5.



FIG. 6.

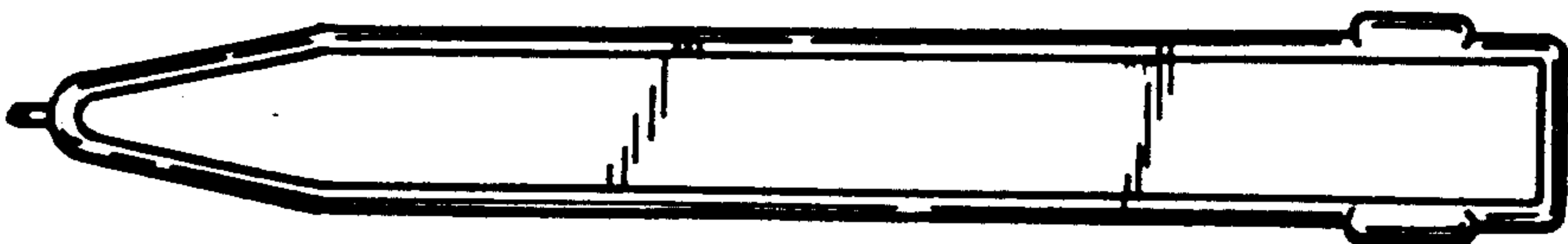


FIG. 7.