



US00D344759S

# United States Patent [19] Monzyk

[11] Patent Number: **Des. 344,759**

[45] Date of Patent: **\*\* Mar. 1, 1994**

[54] **WRITING PEN**

[75] Inventor: **Ronald F. Monzyk, Washington, Mo.**

[73] Assignee: **Magnet Inc., Washington, Mo.**

[\*\*] Term: **14 Years**

[21] Appl. No.: **1,958**

[22] Filed: **Nov. 25, 1992**

[52] U.S. Cl. .... **D19/46; D19/41; D19/49**

[58] Field of Search ..... **401/99, 100, 116, 116, 401/6, 88; D19/35, 36, 41-51, 54-58, 81-85**

[56] **References Cited**

### U.S. PATENT DOCUMENTS

D. 229,446	11/1973	Dahl	.....	D19/41
D. 260,905	9/1981	Klaber	.....	D19/41
D. 270,193	8/1983	Klein	.....	D19/36 X
D. 302,985	8/1989	Vinck	.....	D19/41
D. 305,341	1/1990	Dolan, Sr.	.....	D19/41
D. 306,315	2/1990	Shintani	.....	D19/41 X

D. 322,811	12/1991	Isern	.....	D19/36
825,985	7/1906	de Schwertenberg	.....	401/6
3,168,072	2/1965	Nitta	.....	401/6 X
4,706,995	11/1987	Dopp	.....	401/6 X
4,815,880	3/1989	Sekiguchi	.....	D19/36 X

*Primary Examiner*—Nelson C. Holtje  
*Assistant Examiner*—Martie Thompson  
*Attorney, Agent, or Firm*—Rogers, Howell & Haferkamp

### [57] CLAIM

The ornamental design for a writing pen, as shown and described.

### DESCRIPTION

FIG. 1 is a front perspective view of a writing pen showing my new design;  
FIG. 2 is a top plan view thereof;  
FIG. 3 is a front elevational view thereof;  
FIG. 4 is a left side elevational view thereof;  
FIG. 5 is a right side elevational view thereof;  
FIG. 6 is a bottom plan view thereof; and  
FIG. 7 is a rear elevational view thereof.

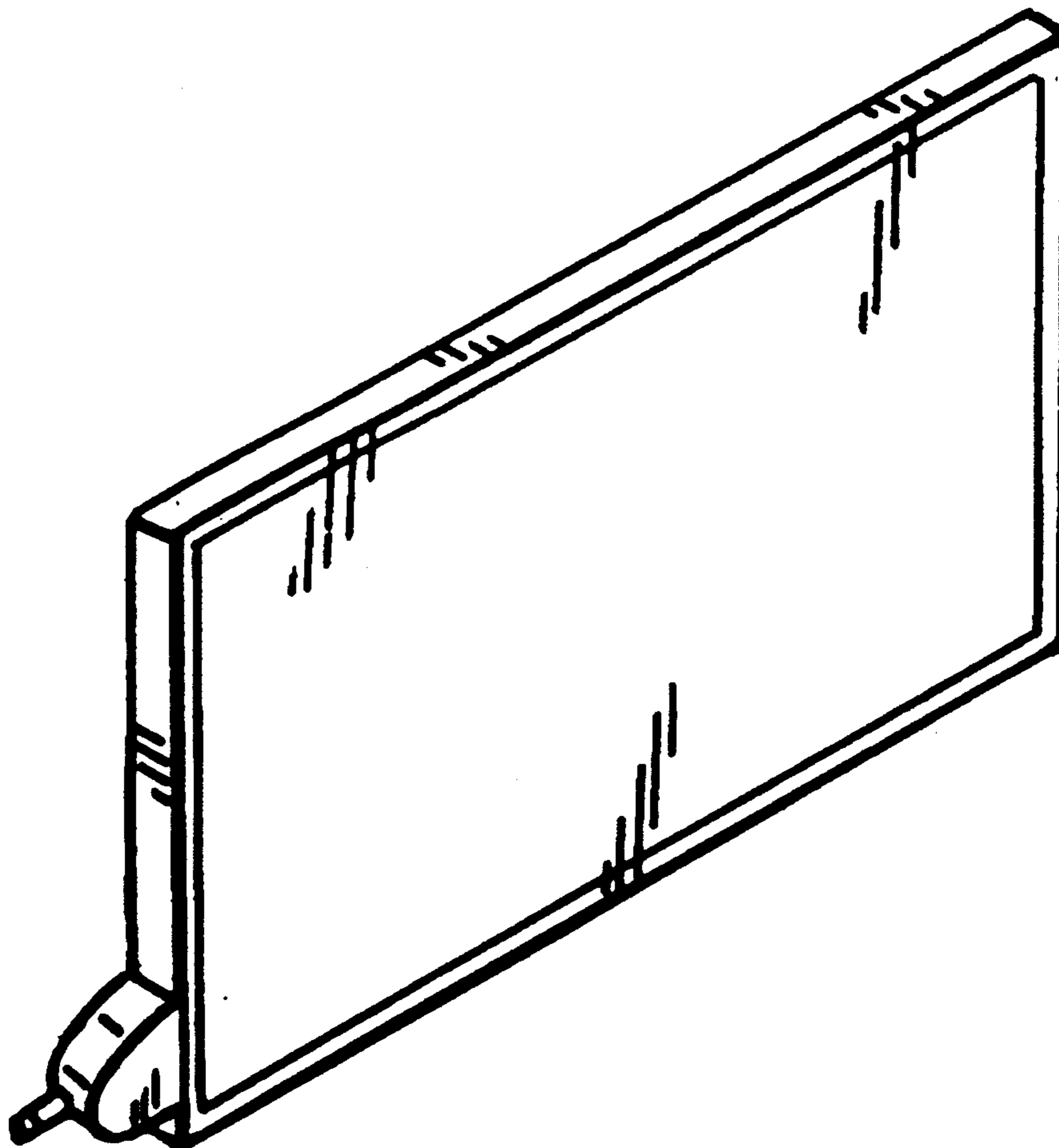


FIG. 1.

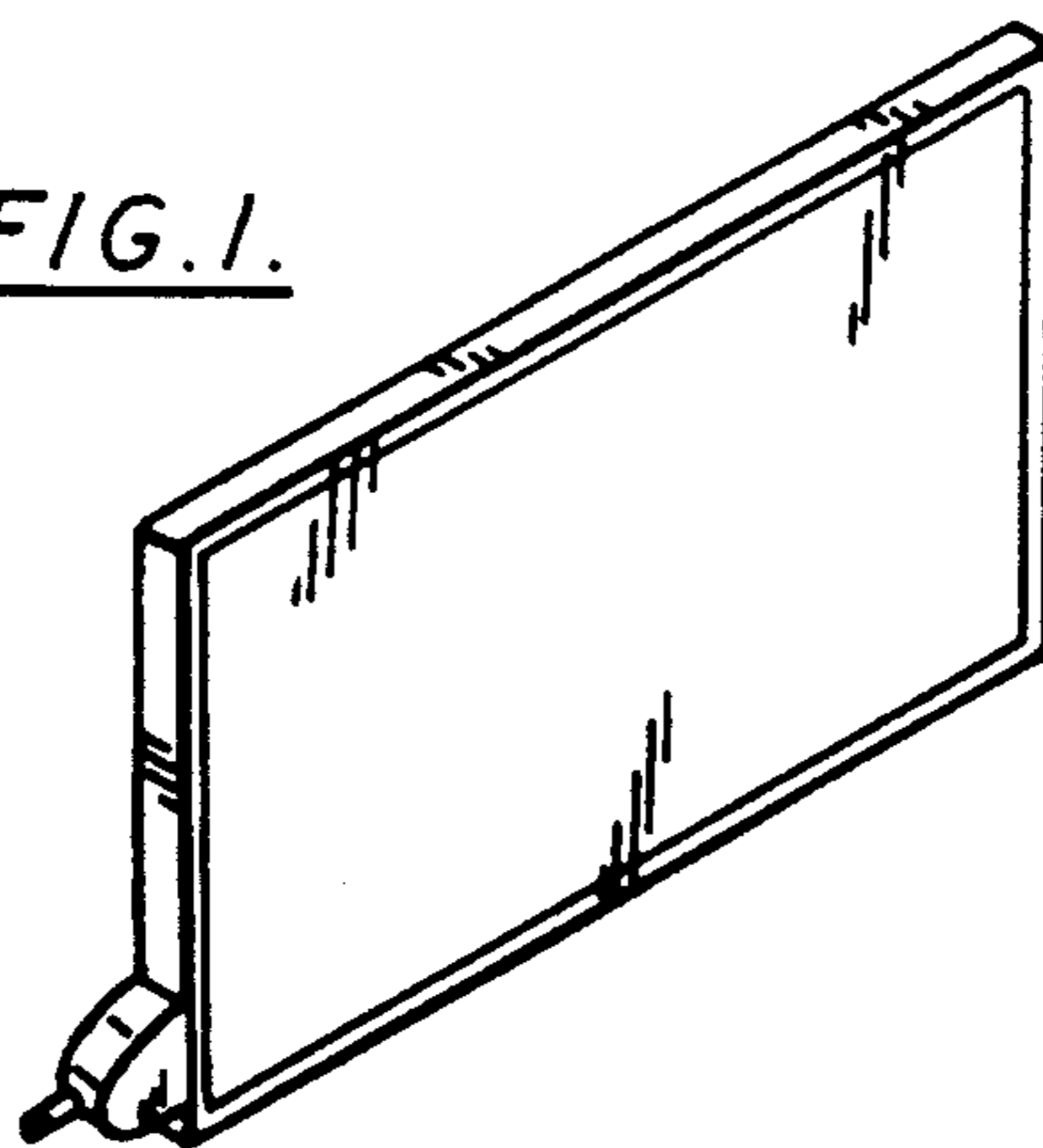


FIG. 2.



FIG. 4.



FIG. 3.

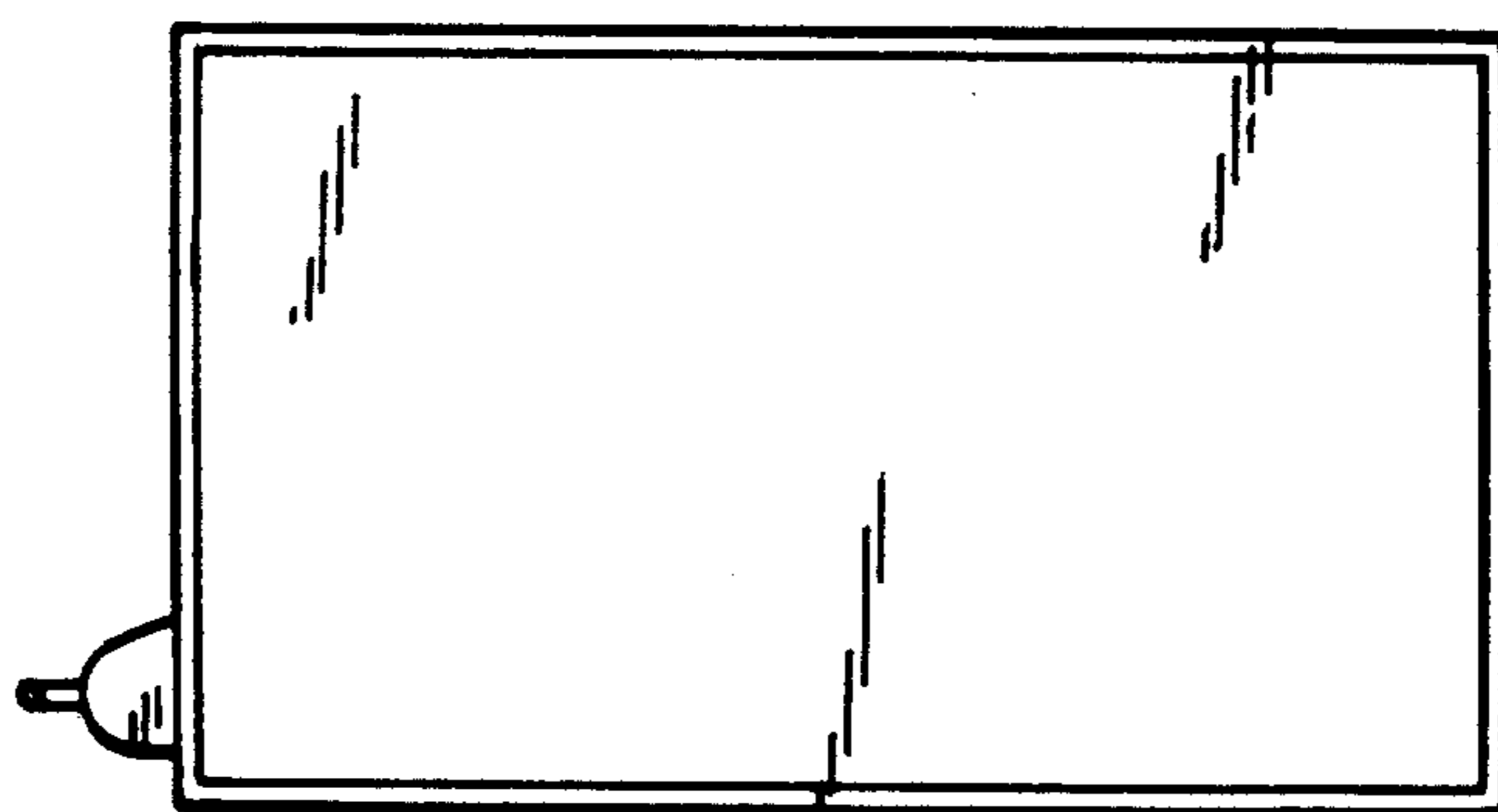


FIG. 5.



FIG. 6.



FIG. 7.

