



US00D344755S

United States Patent [19]

[11] Patent Number: Des. 344,755

Yamazaki

[45] Date of Patent: ** Mar. 1, 1994

[54] **INK RIBBON AND TAPE CARTRIDGE FOR A PRINTER**

[75] Inventor: **Tsutomu Yamazaki**, Nagano, Japan

[73] Assignee: **Seiko Epson Corporation**, Tokyo, Japan

[**] Term: **14 Years**

[21] Appl. No.: **817,268**

[22] Filed: **Jan. 3, 1992**

[30] **Foreign Application Priority Data**

Jul. 4, 1991 [JP] Japan 3-20011

[52] U.S. Cl. **D18/56; D18/12;**
400/196

[58] Field of Search 400/194, 195, 196, 196.1,
400/207, 208; D14/121; D18/12, 22, 40, 99, 56

[56] **References Cited**

U.S. PATENT DOCUMENTS

- D. 290,135 6/1987 Minakuchi et al. D18/12
- D. 304,597 11/1989 Sakurai D18/12
- D. 314,971 2/1991 Nakamura et al. D18/12
- D. 333,481 2/1993 Laurent D18/12
- D. 333,482 2/1993 Laurent D18/12

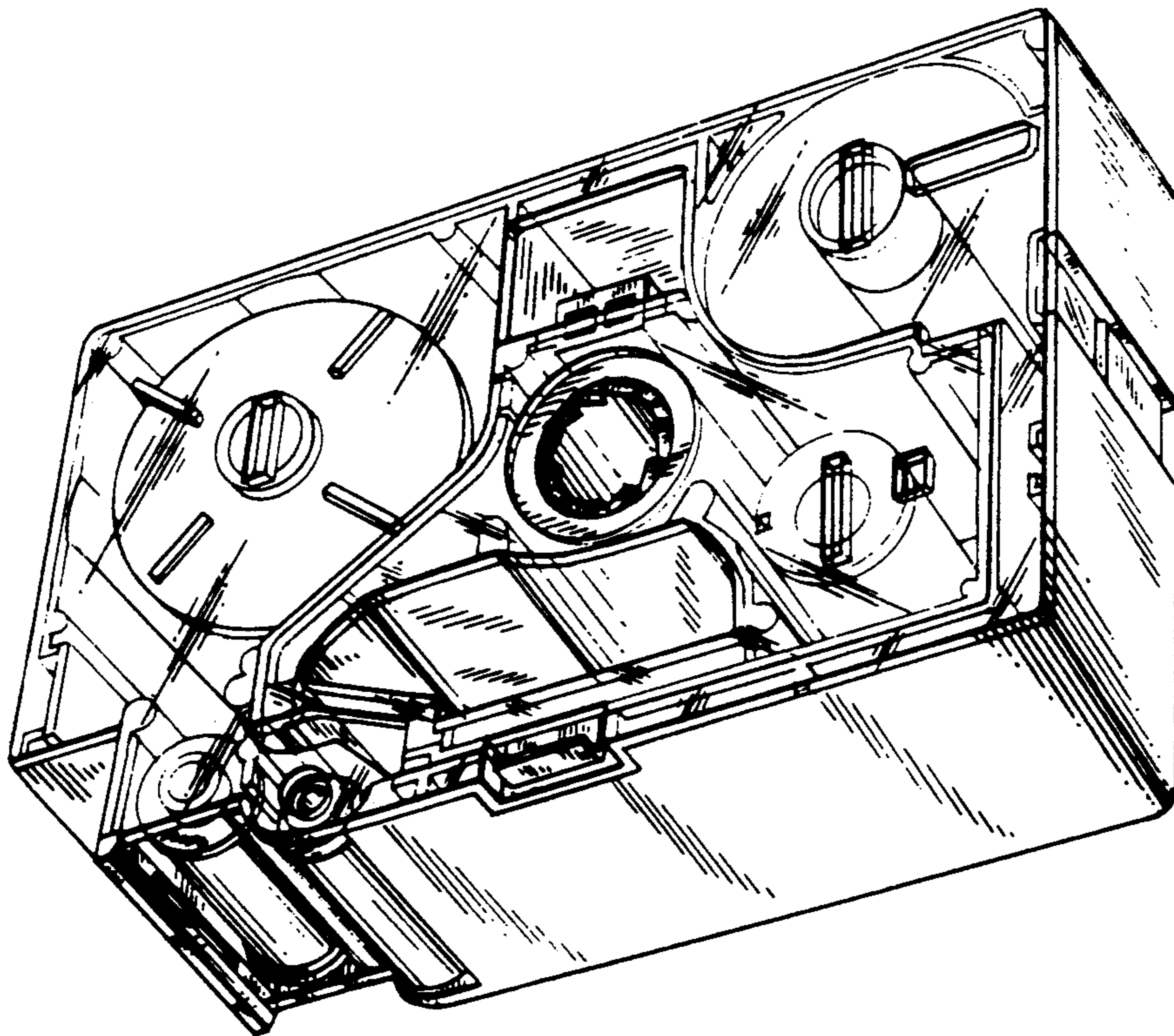
Primary Examiner—Alan P. Douglas
Assistant Examiner—Robert M. Spear
Attorney, Agent, or Firm—Blum Kaplan

[57] **CLAIM**

The ornamental design for an ink ribbon and tape cartridge for a printer, as shown and described.

DESCRIPTION

FIG. 1 is a front, right side and bottom perspective view of the ink ribbon and tape cartridge for a printer in accordance with my new design;
 FIG. 2 is a front elevational view thereof;
 FIG. 3 is a top plan view thereof;
 FIG. 4 is a left side view thereof;
 FIG. 5 is a bottom plan view thereof;
 FIG. 6 is a right side view thereof;
 FIG. 7 is a rear elevational view thereof;
 FIG. 8 is a front, right side and bottom perspective view of the tape cartridge portion of the ink ribbon and tape cartridge for a printer of FIG. 1;
 FIG. 9 is a front elevational view thereof;
 FIG. 10 is a top plan view thereof;
 FIG. 11 is a left side view thereof;
 FIG. 12 is a bottom plan view thereof;
 FIG. 13 is a right side view thereof;
 FIG. 14 is a rear elevational view thereof;
 FIG. 15 is a front, right side and bottom perspective view of the ink ribbon portion of the ink ribbon and tape cartridge for a printer of FIG. 1;
 FIG. 16 is a top plan view thereof;
 FIG. 17 is a front elevational view thereof;
 FIG. 18 is a left side view thereof;
 FIG. 19 is a right side view thereof;
 FIG. 20 is a rear elevational view thereof; and,
 FIG. 21 is a bottom plan view thereof.



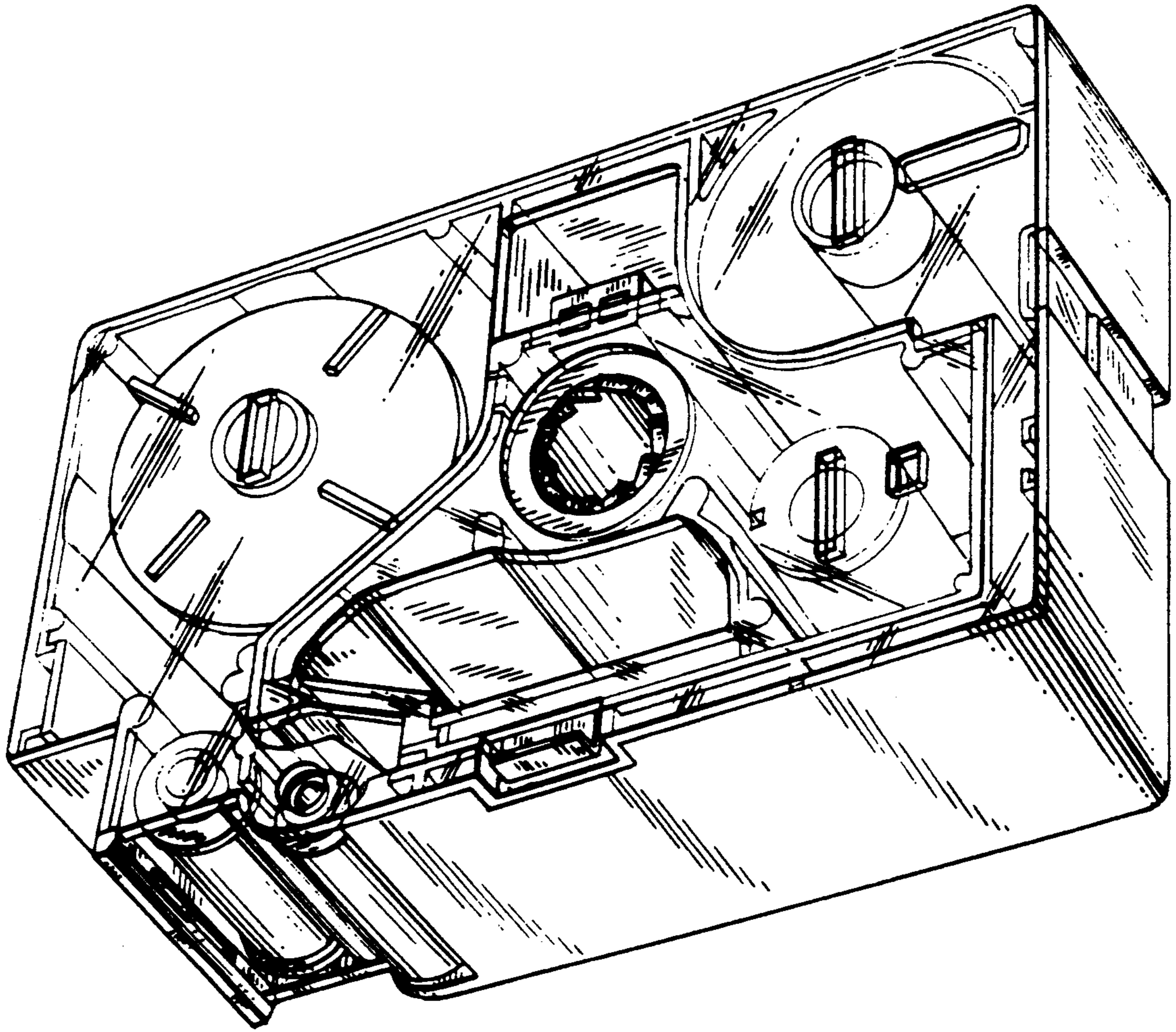


FIG. 1

FIG. 2

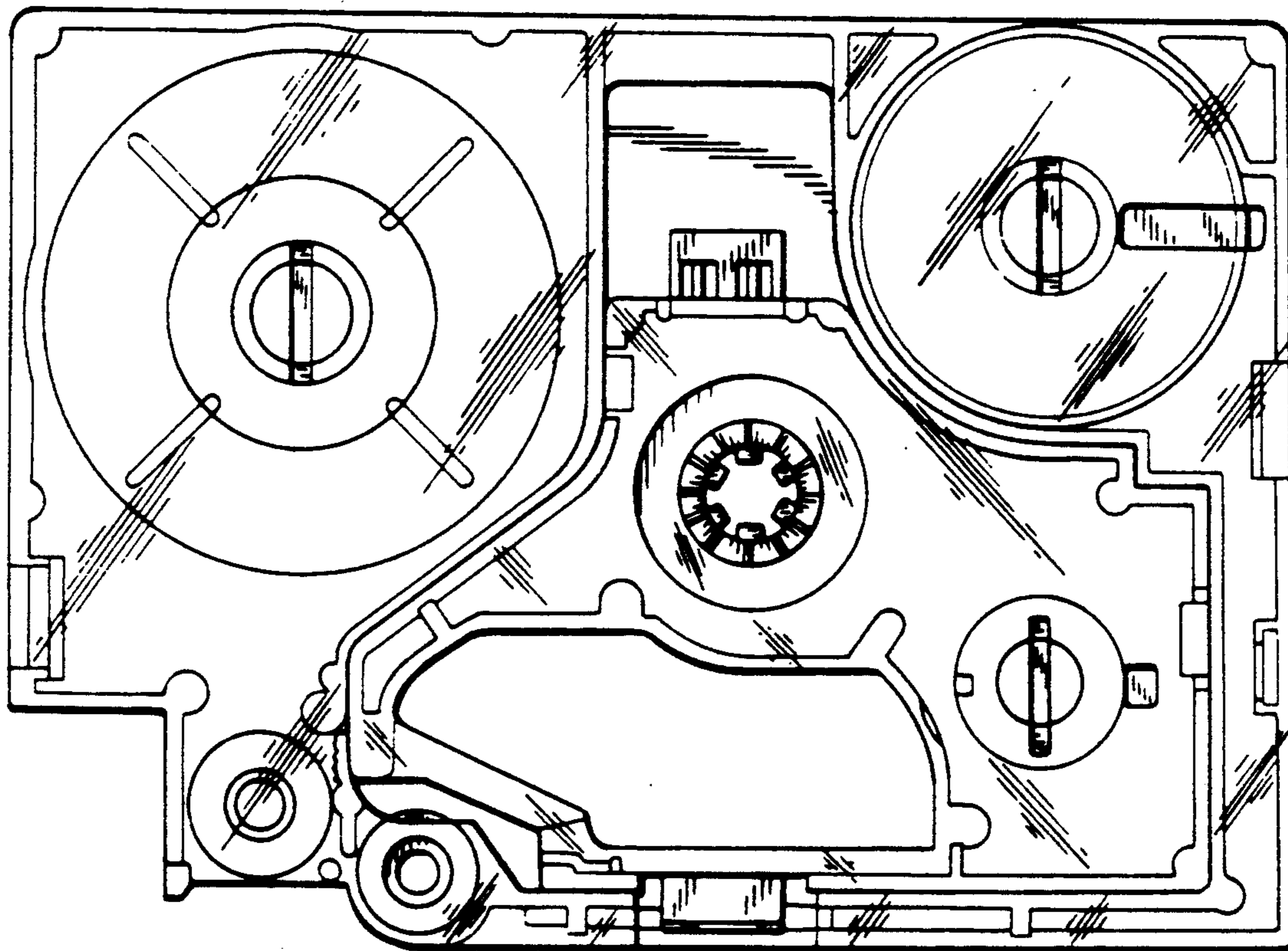


FIG. 3

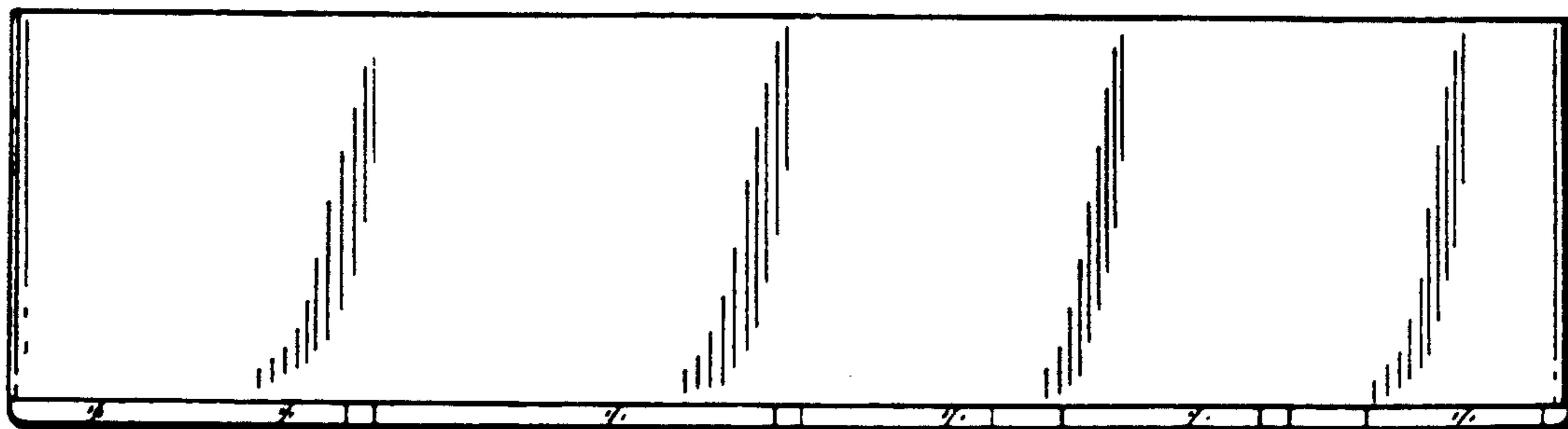


FIG. 4

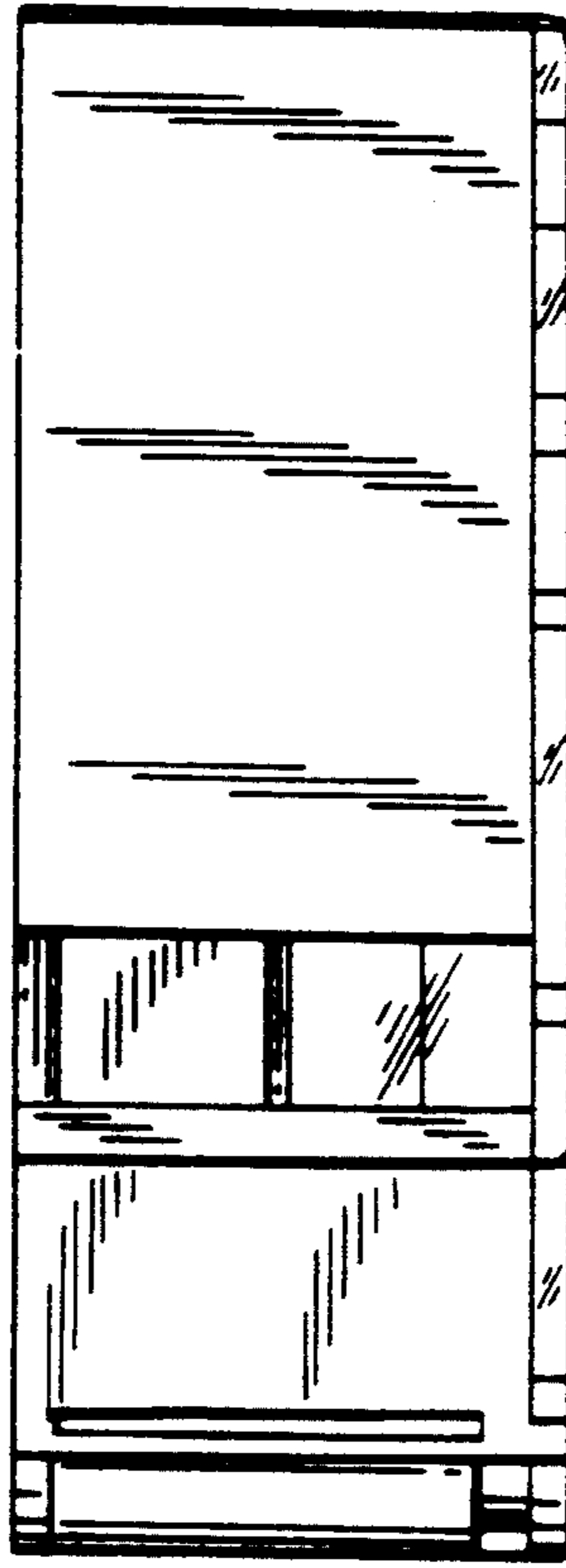


FIG. 5

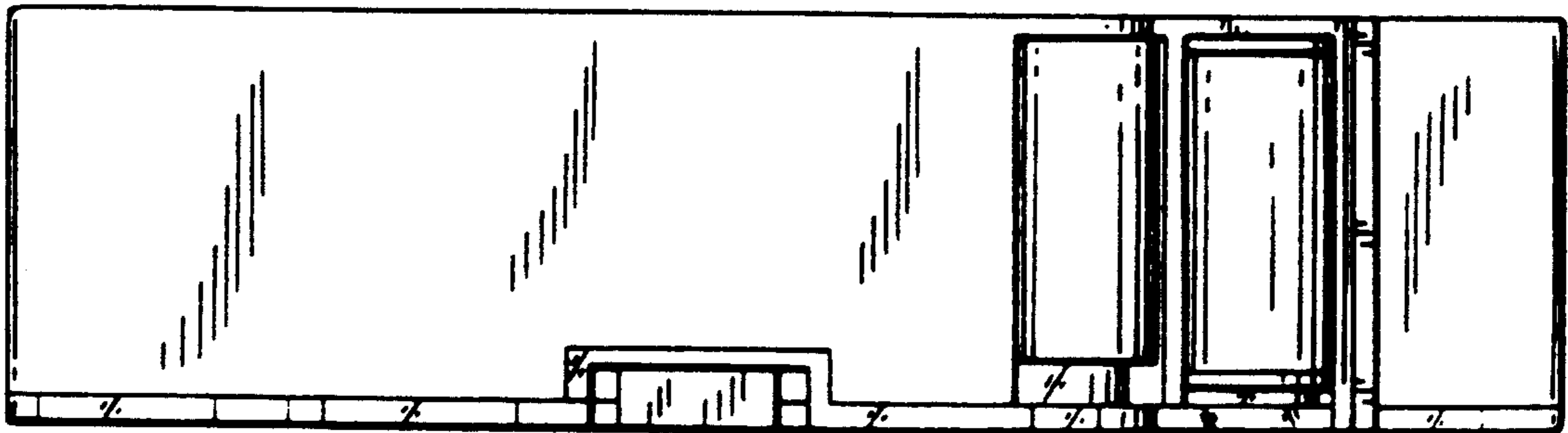


FIG. 6

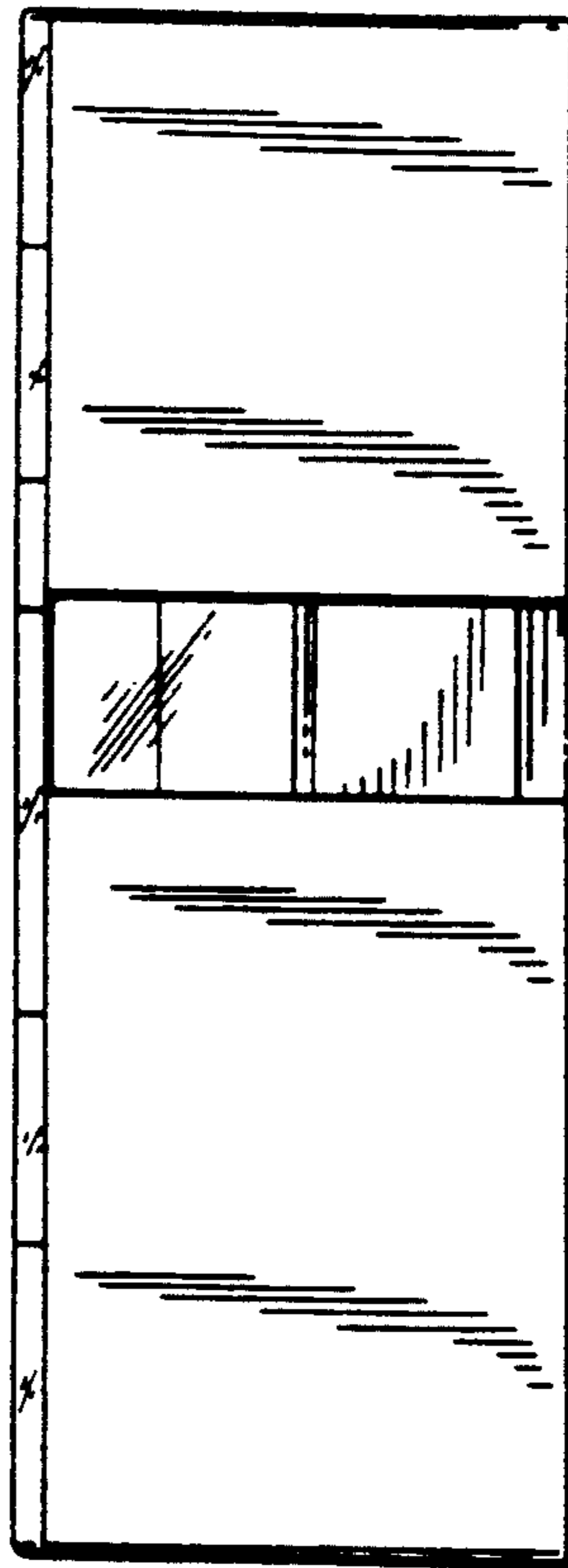


FIG. 7

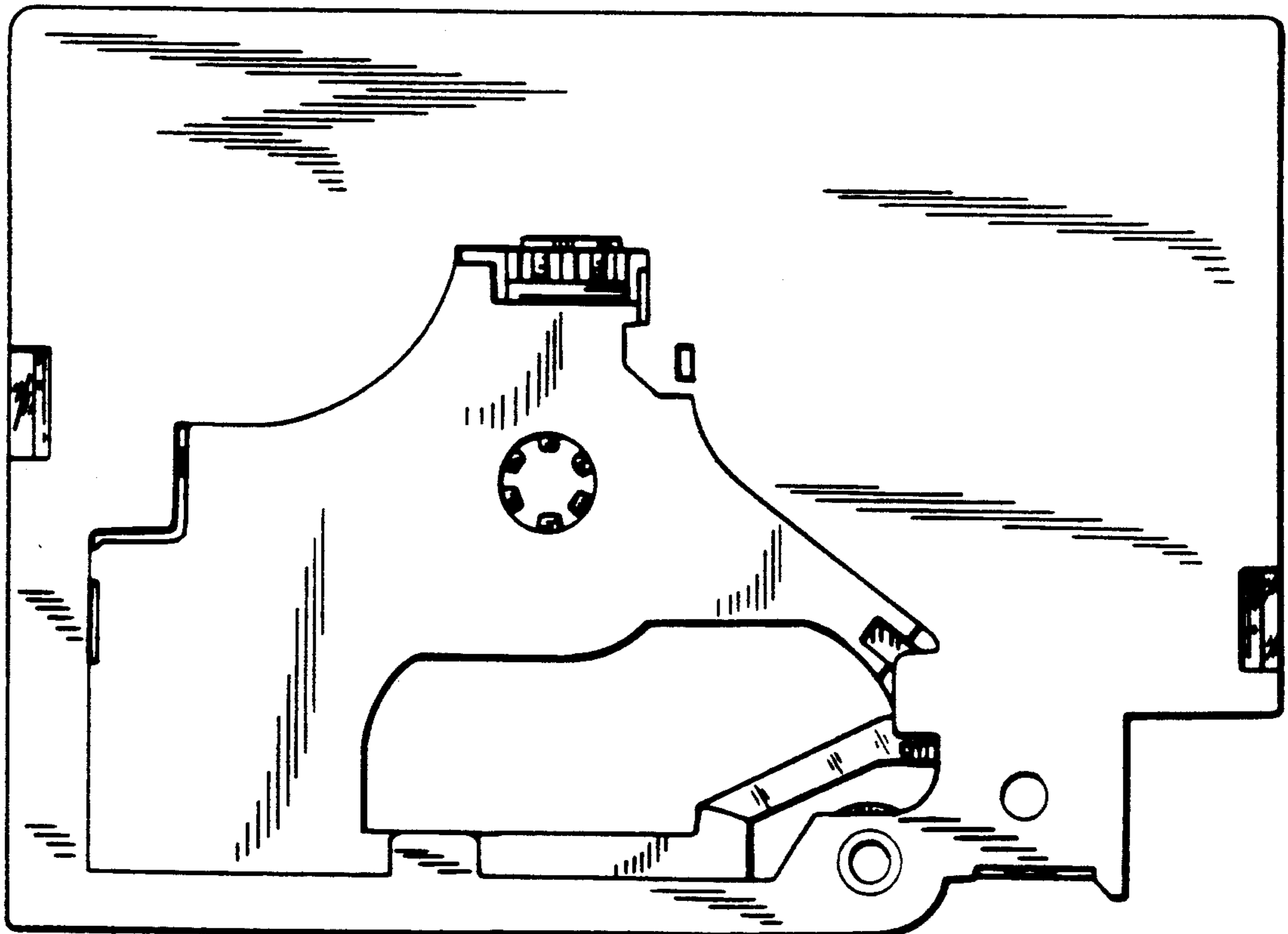


FIG. 8

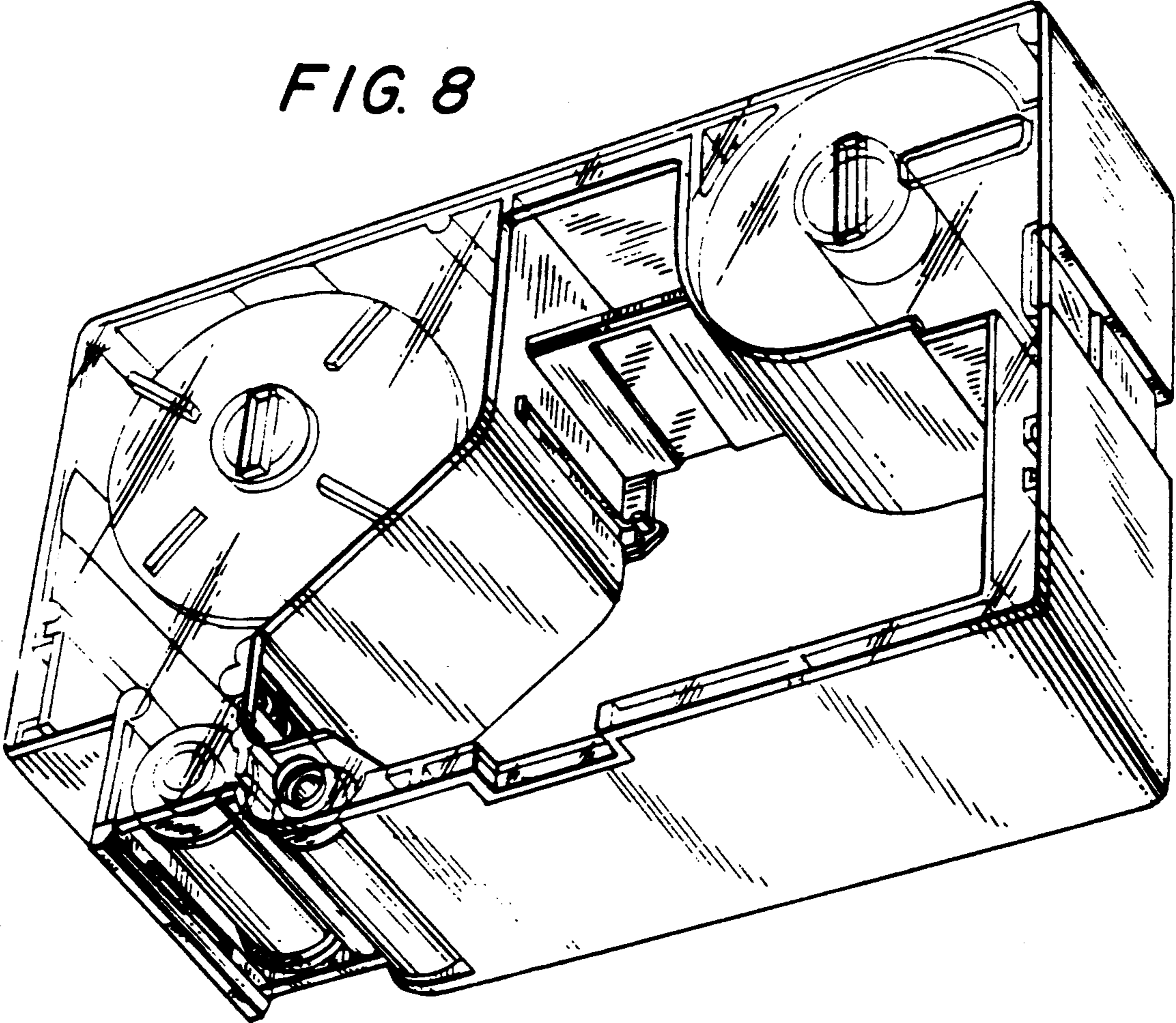


FIG. 9

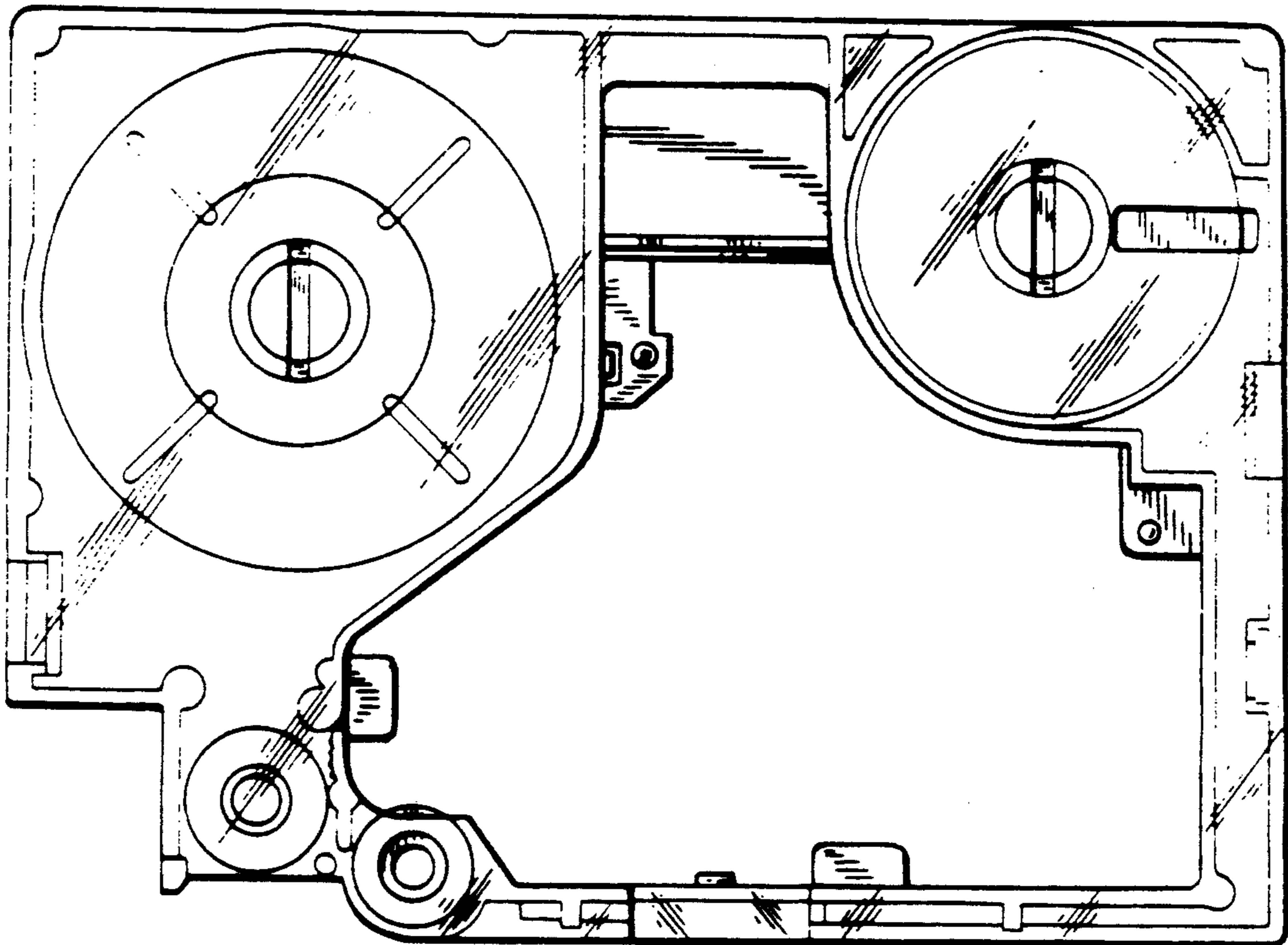


FIG. 10

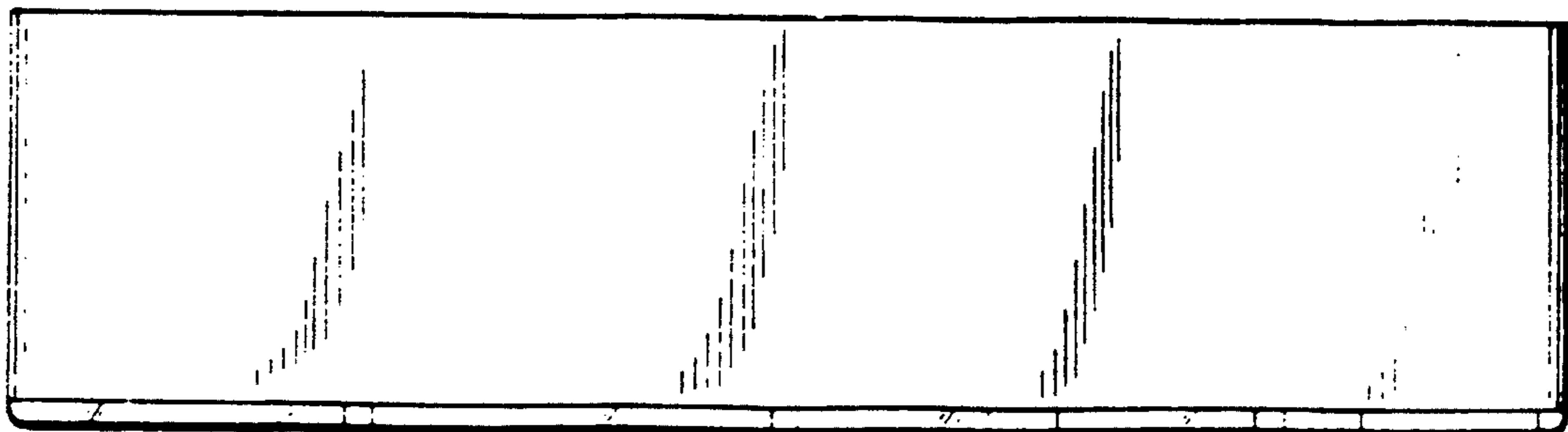


FIG. 11

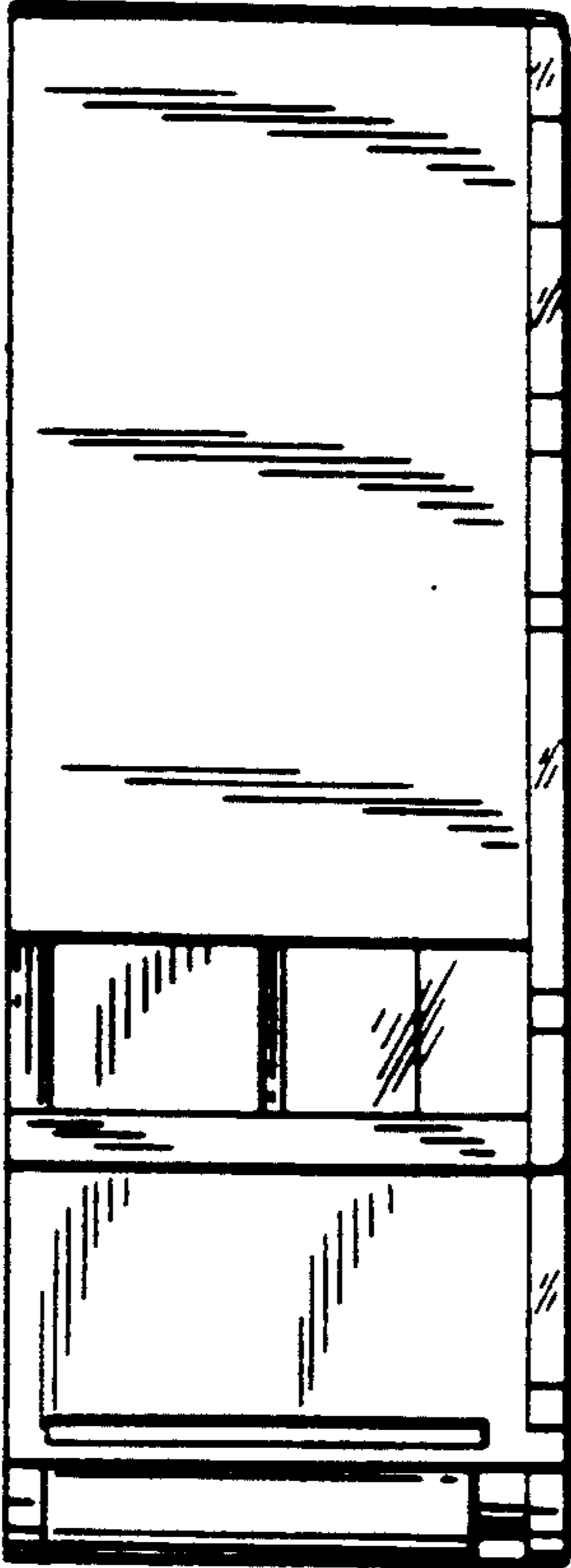


FIG. 12

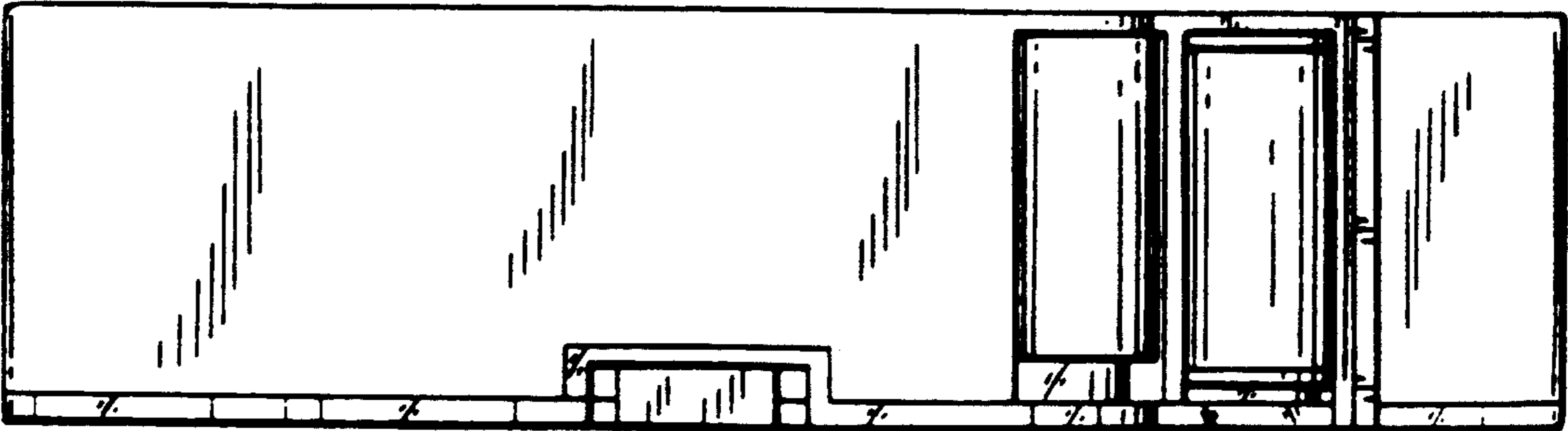


FIG. 13

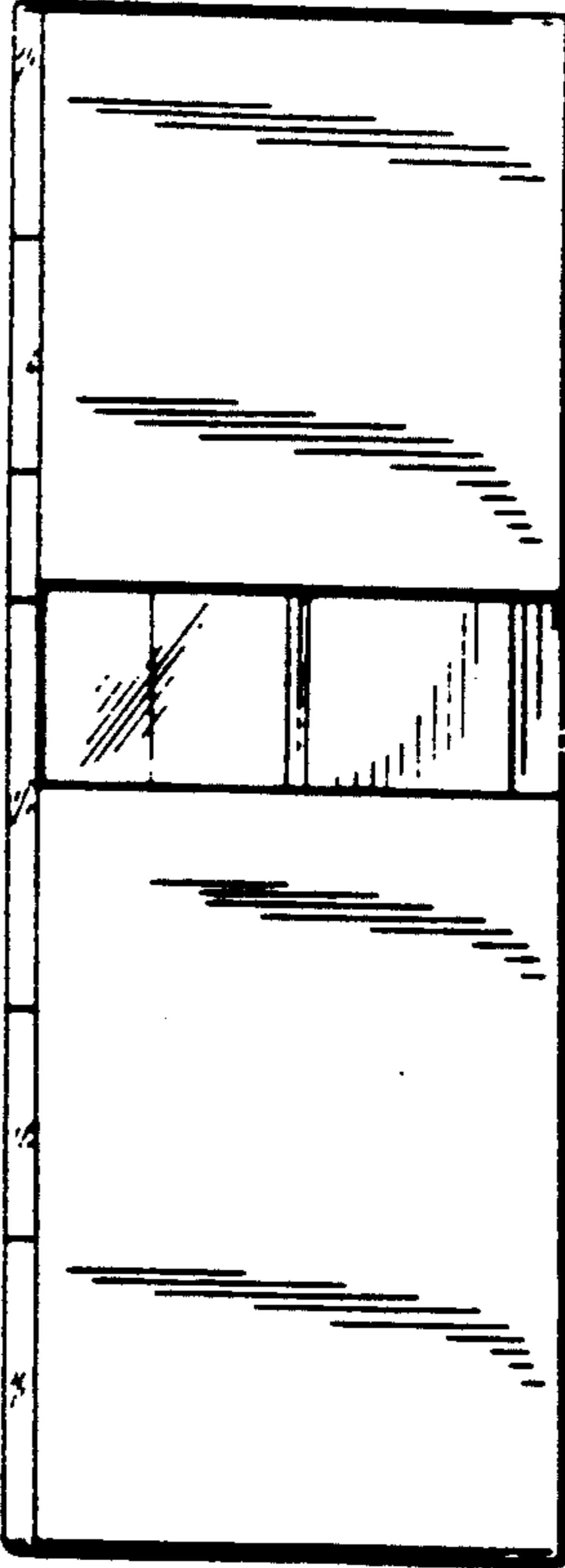


FIG. 14

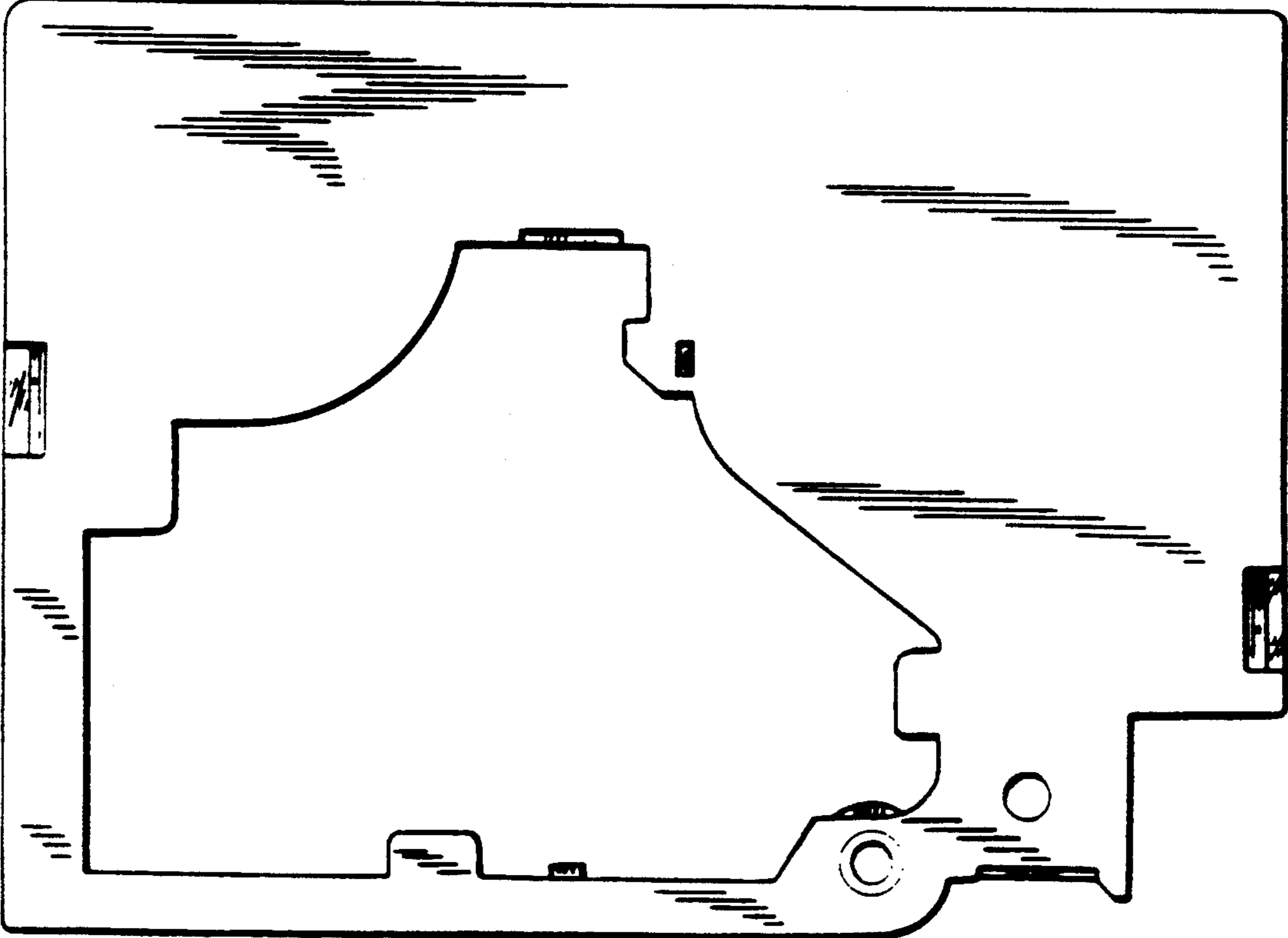


FIG. 15

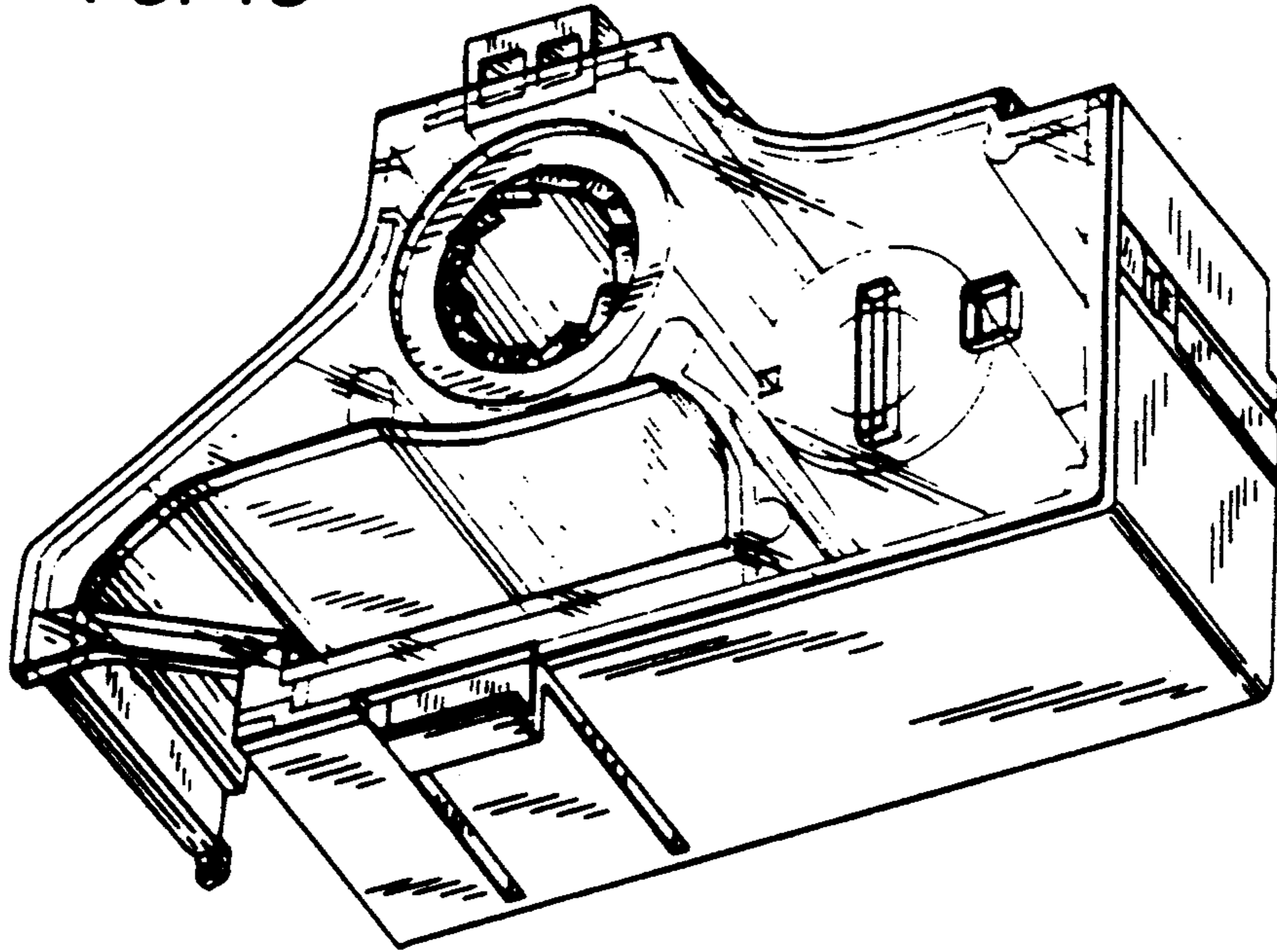


FIG. 16

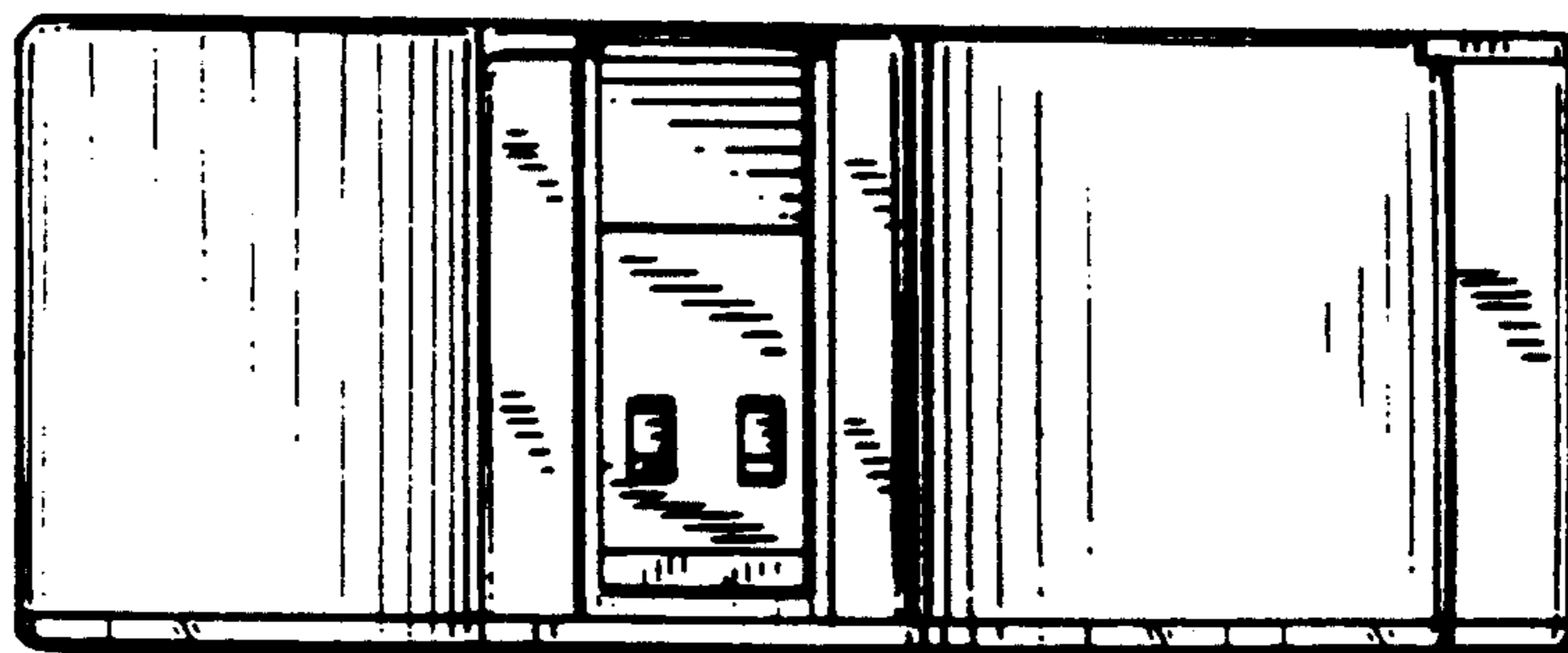


FIG. 17

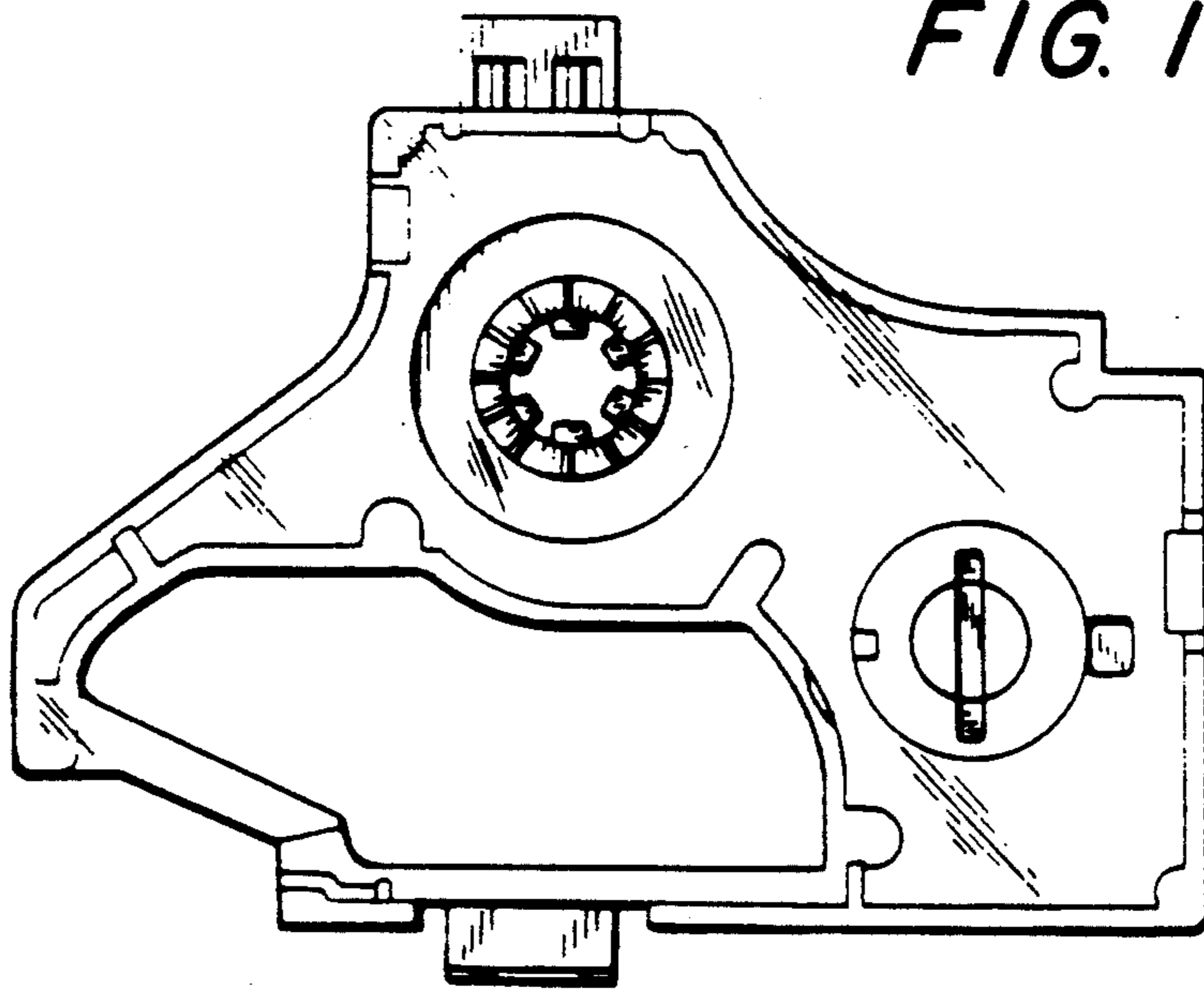


FIG. 18

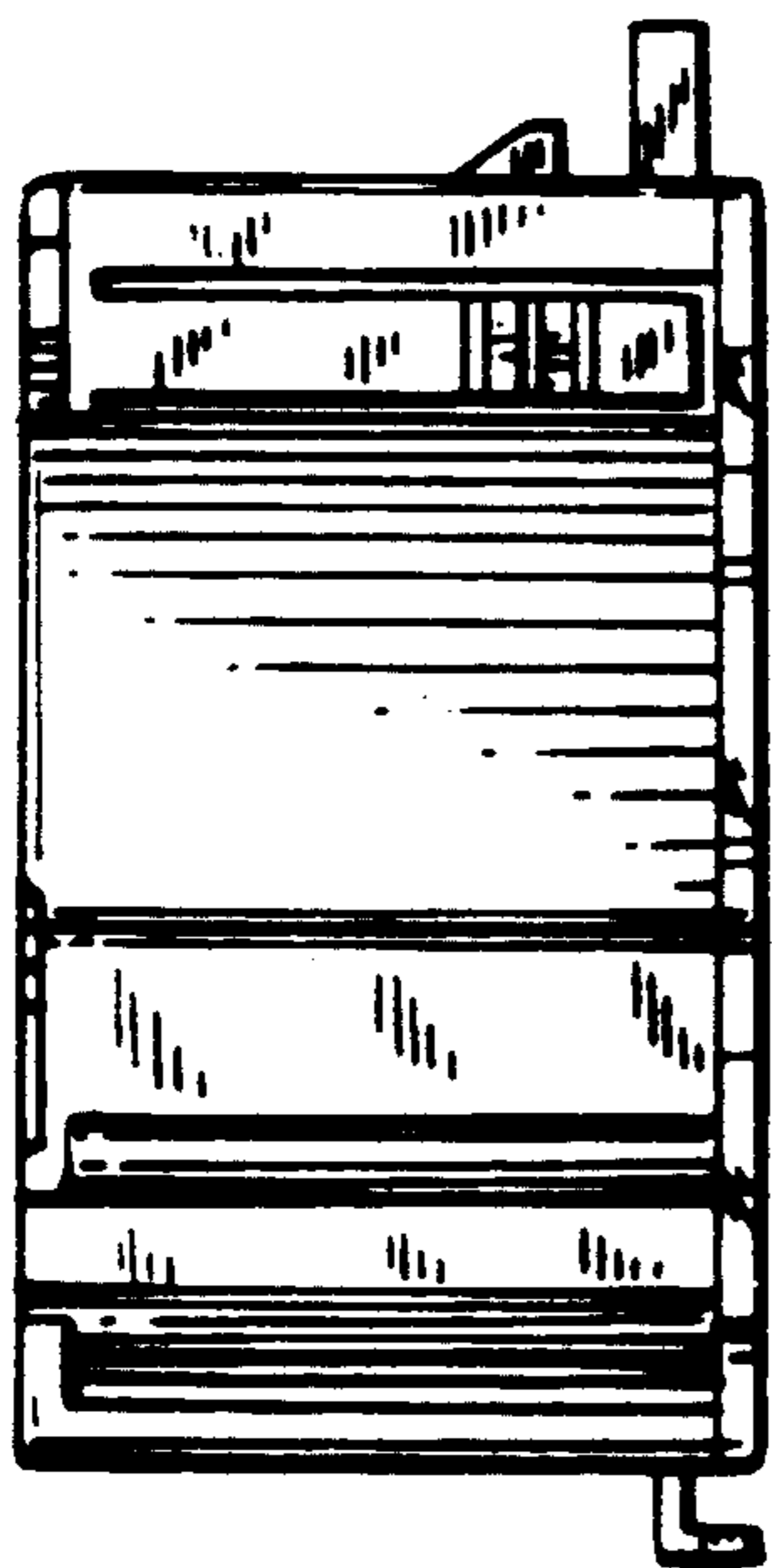


FIG. 19

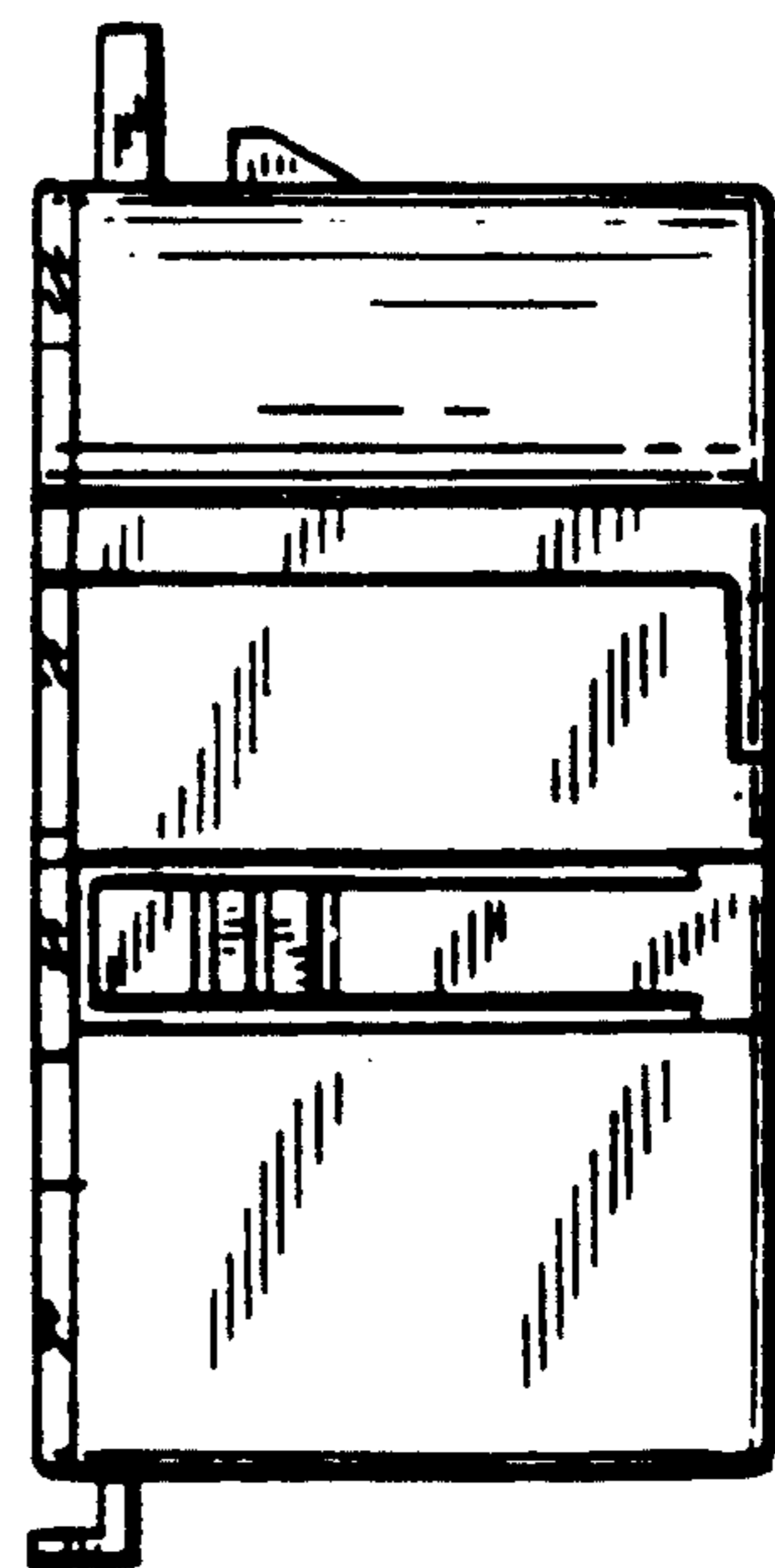


FIG. 20

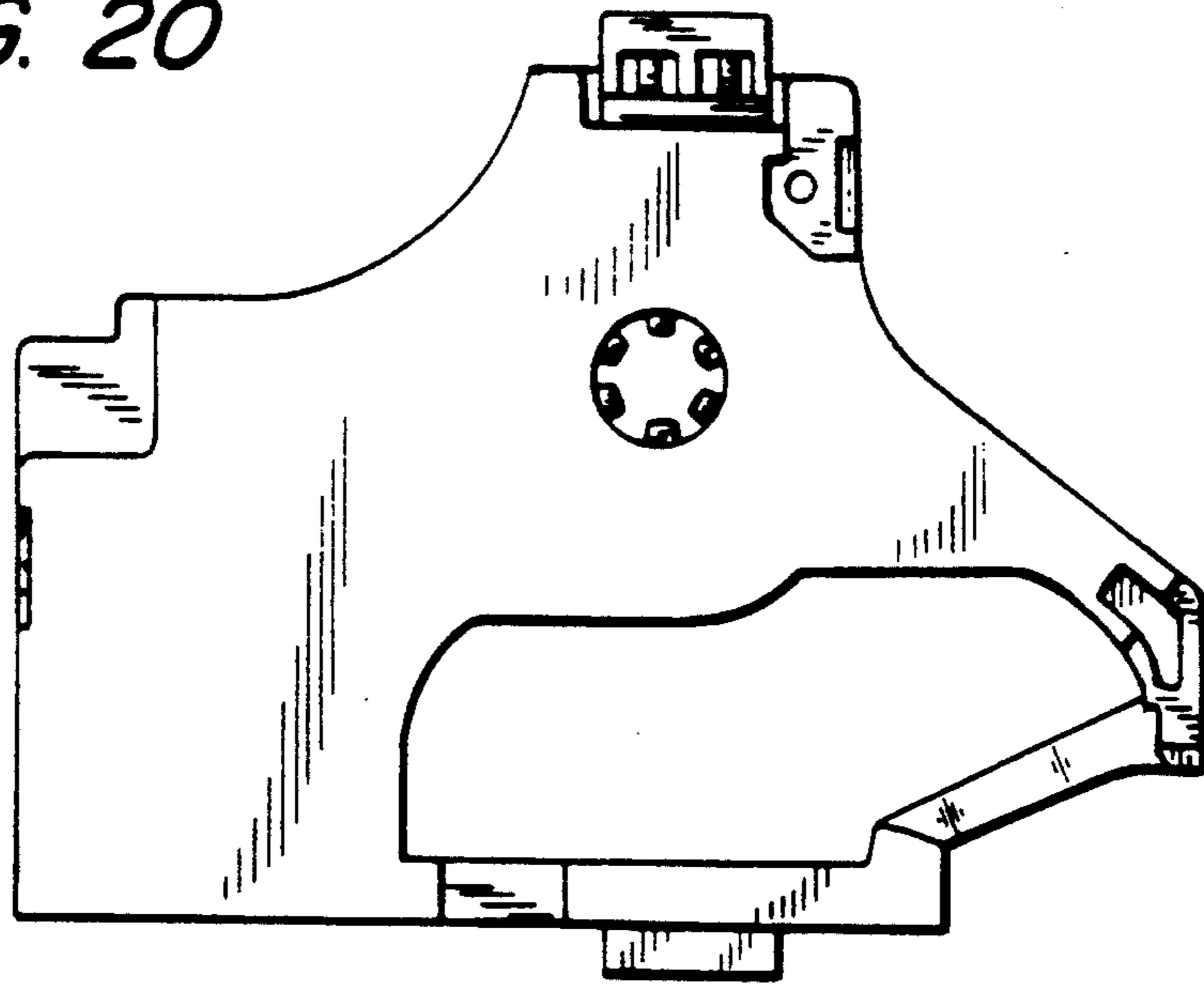


FIG. 21

