



US00D344746S

United States Patent [19]
Yomo

[11] **Patent Number: Des. 344,746**
[45] **Date of Patent: ** Mar. 1, 1994**

[54] **MICROFILM READER PRINTER STAND**

[75] **Inventor: Takashi Yomo, Kawasaki, Japan**

[73] **Assignee: Canon Kabushiki Kaisha, Tokyo, Japan**

[**] **Term: 14 Years**

[21] **Appl. No.: 943,203**

[22] **Filed: Sep. 10, 1992**

[30] **Foreign Application Priority Data**

Mar. 10, 1992 [JP] Japan 4-6897

[52] **U.S. Cl. D16/235; D6/449; D34/17**

[58] **Field of Search D6/449, 474; 312/249.8, 312/249.13, 7.2, 250; D16/223, 235, 237, 250; D18/59; D34/17, 21**

[56] **References Cited**

U.S. PATENT DOCUMENTS

D. 213,360 2/1969 McClure D34/21

D. 264,759 6/1982 Schilling et al. D34/17
D. 294,033 2/1988 Kojima D16/223
D. 329,251 9/1992 Olswold et al. D18/59
5,076,650 12/1991 Klein et al. 312/250

Primary Examiner—Bernard Ansher
Assistant Examiner—Adir Aronovich
Attorney, Agent, or Firm—Fitzpatrick, Cella, Harper & Scinto

[57] **CLAIM**

The ornamental design for a microfilm reader printer stand, as shown and described.

DESCRIPTION

FIG. 1 is a front elevational view of a microfilm reader printer stand showing my new design; FIG. 2 is a rear elevational view thereof; FIG. 3 is a top plan view thereof; FIG. 4 is a bottom plan view thereof; FIG. 5 is a left side elevational view thereof; FIG. 6 is a right side elevational view thereof; and, FIG. 7 is a perspective view thereof.

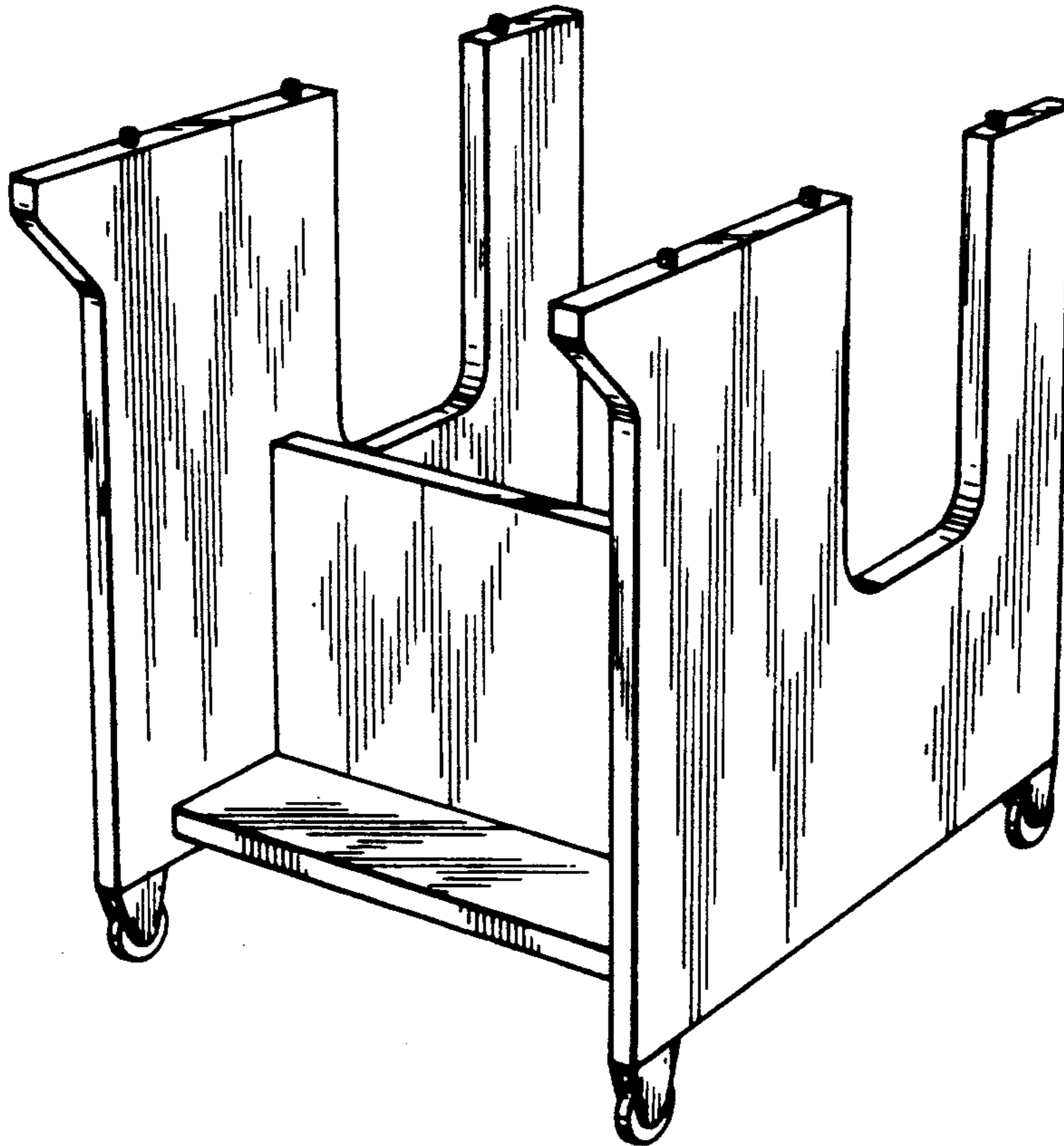


FIG. 1

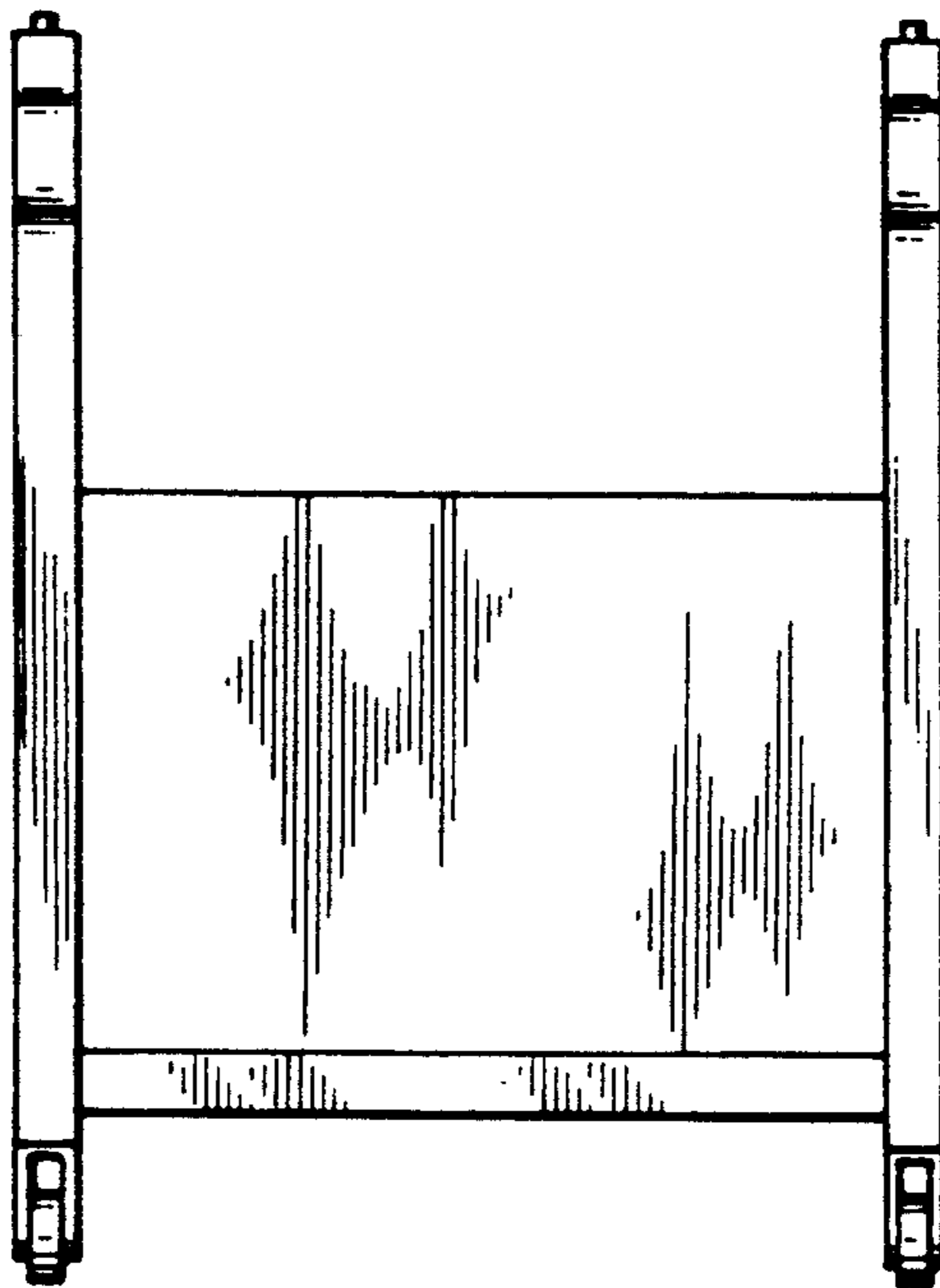


FIG. 2

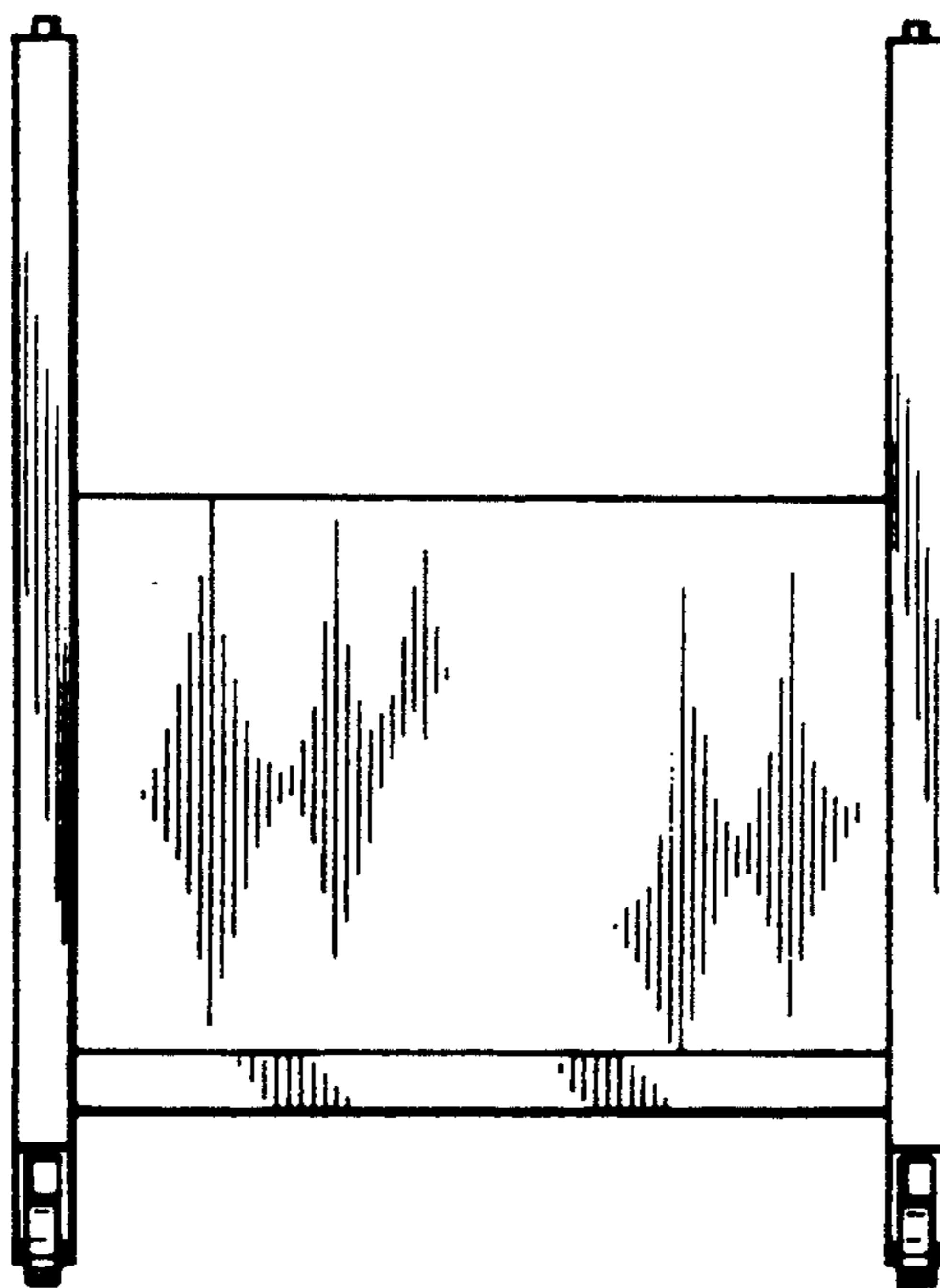


FIG. 3

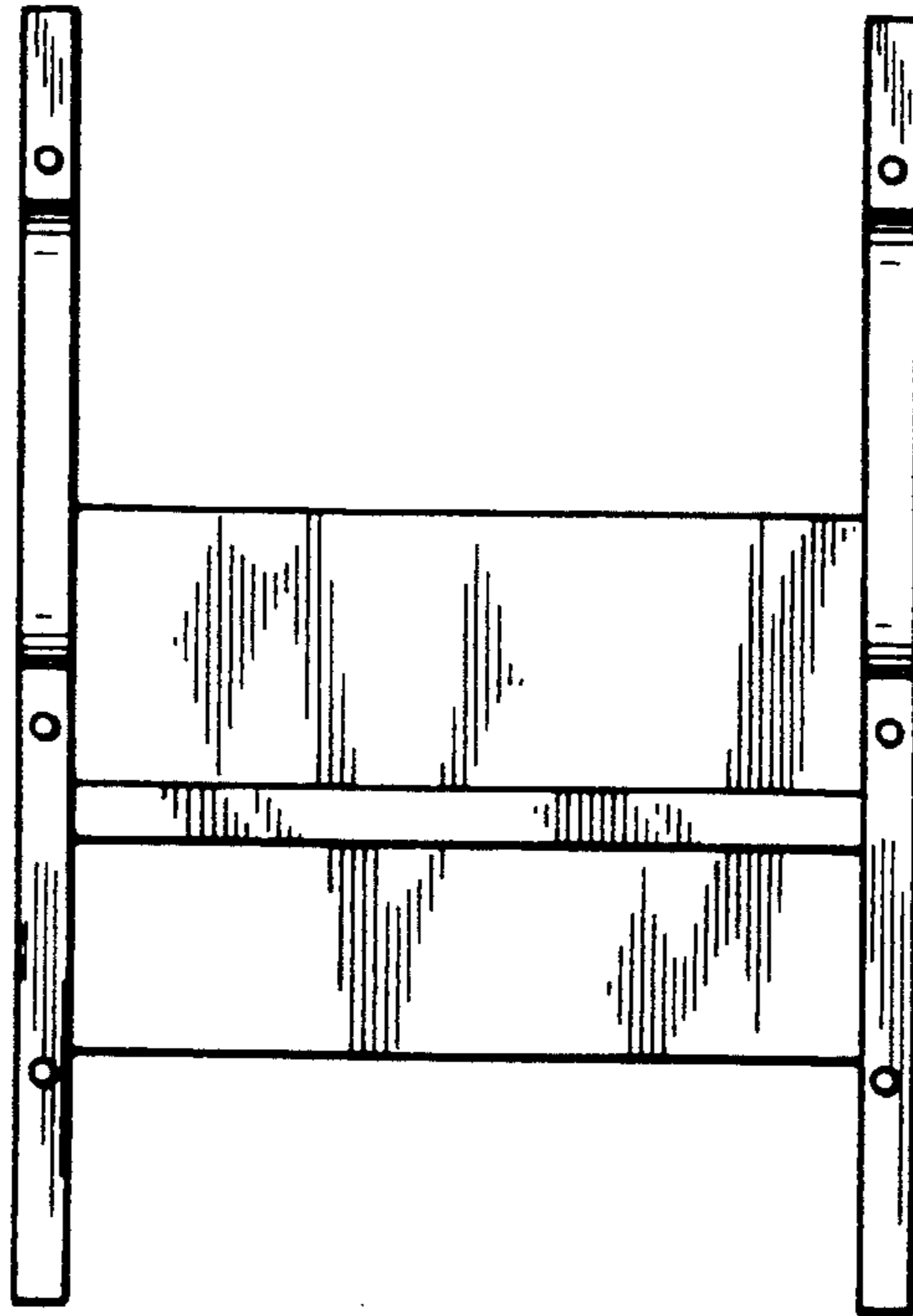


FIG. 4

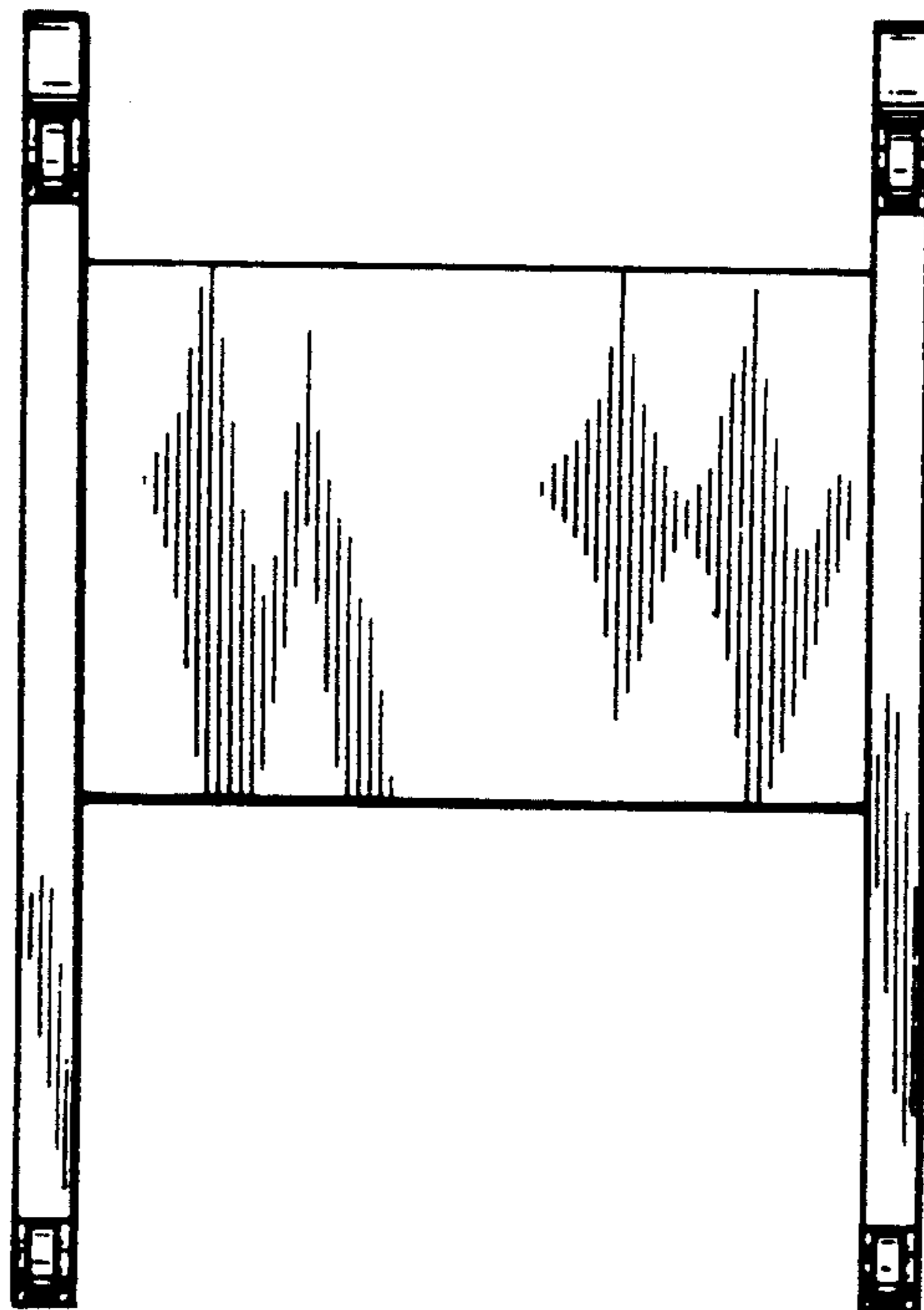


FIG. 5

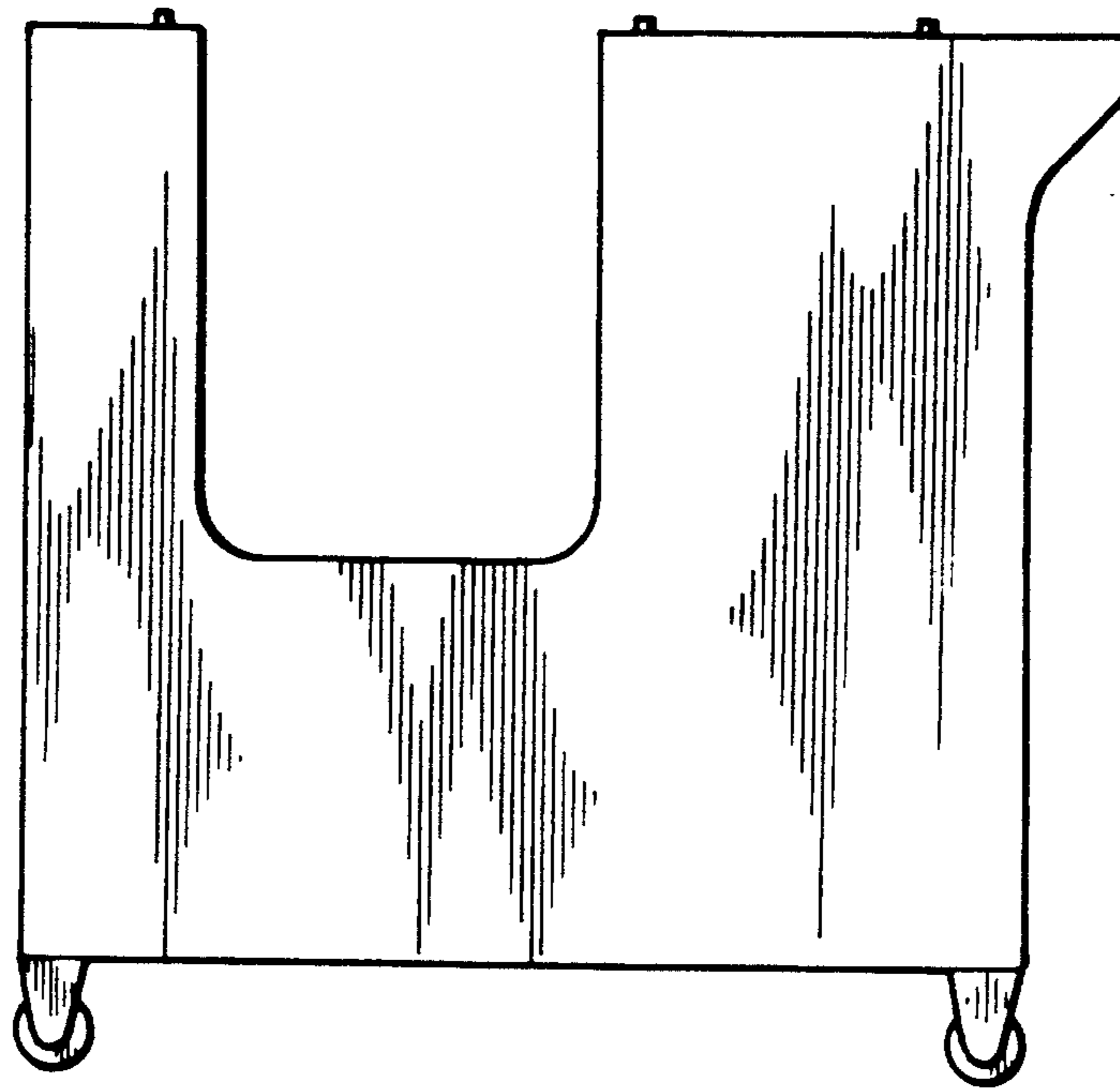


FIG. 6

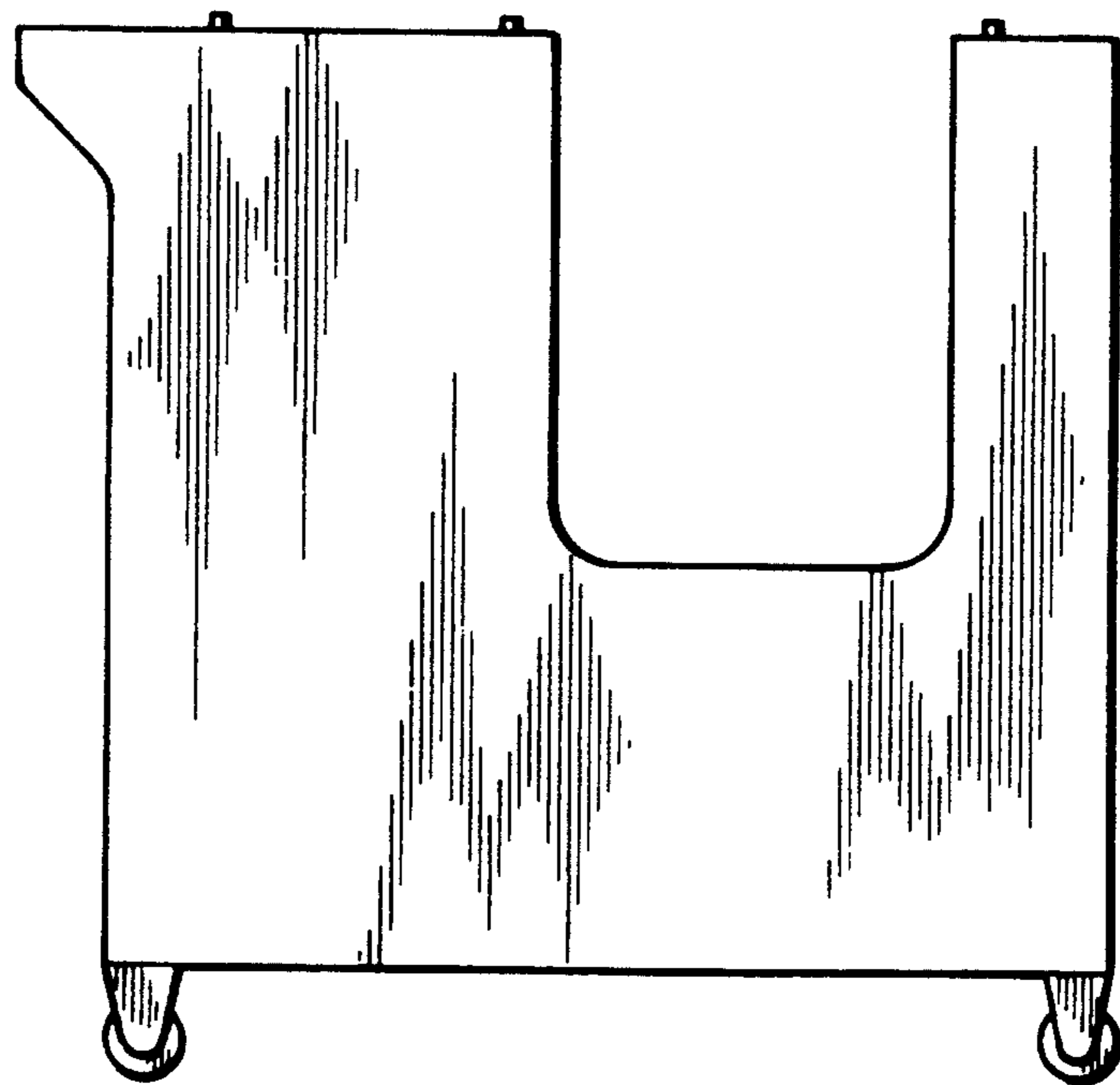


FIG. 7

