



US00D344744S

# United States Patent [19]

[11] Patent Number: Des. 344,744

Yomo

[45] Date of Patent: \*\* Mar. 1, 1994

[54] **COMBINED MICROFILM READER AND PRINTER**

[75] Inventor: **Takashi Yomo, Kawasaki, Japan**

[73] Assignee: **Canon Kabushiki Kaisha, Tokyo, Japan**

[\*\*] Term: **14 Years**

[21] Appl. No.: **943,201**

[22] Filed: **Sep. 10, 1992**

[30] **Foreign Application Priority Data**

Mar. 10, 1992 [JP] Japan ..... 4-6898

[52] U.S. Cl. .... **D16/223; D14/107; D16/225**

[58] Field of Search ..... 353/27 R, 27 B, 74, 353/77, 78, 79; 355/44, 45; D14/107; D16/221, 223-225; D18/36, 38

[56] **References Cited**

**U.S. PATENT DOCUMENTS**

- D. 223,054 3/1972 Kinsinger ..... D16/225
- D. 226,683 4/1973 Helgesson ..... D16/225
- D. 291,321 8/1987 Kojima ..... D16/14
- D. 294,033 2/1988 Kojima ..... D16/28
- D. 302,560 8/1989 Kojima ..... D16/223
- D. 319,818 9/1991 Yomo et al. .... D14/106
- D. 329,247 9/1992 Westoby et al. .... D16/223
- D. 338,903 8/1993 Iimura ..... D16/225

- 3,997,258 12/1976 Omi ..... 353/79
- 4,786,945 11/1988 Sambayashi et al. .... 355/44
- 5,049,923 9/1991 Sakakibara ..... 355/45

**FOREIGN PATENT DOCUMENTS**

57-161847 10/1982 Japan ..... 353/27 R

**OTHER PUBLICATIONS**

Micro Design Catalog, Sep. 1989 (Micro Copy 10).  
Canon Catalog, Feb. 1982 (Canorama Reader-Printer 380).

*Primary Examiner*—Bernard Ansher  
*Assistant Examiner*—Adir Aronovich  
*Attorney, Agent, or Firm*—Fitzpatrick, Cella, Harper & Scinto

[57] **CLAIM**

The ornamental design for a combined microfilm reader and printer, as shown and described.

**DESCRIPTION**

FIG. 1 is a front elevational view of a combined microfilm reader and printer showing my new design; FIG. 2 is a rear elevational view thereof; FIG. 3 is a top plan view thereof; FIG. 4 is a bottom plan view thereof; FIG. 5 is a left side elevational view thereof; FIG. 6 is a right side elevational view thereof; and, FIG. 7 is a perspective view thereof.

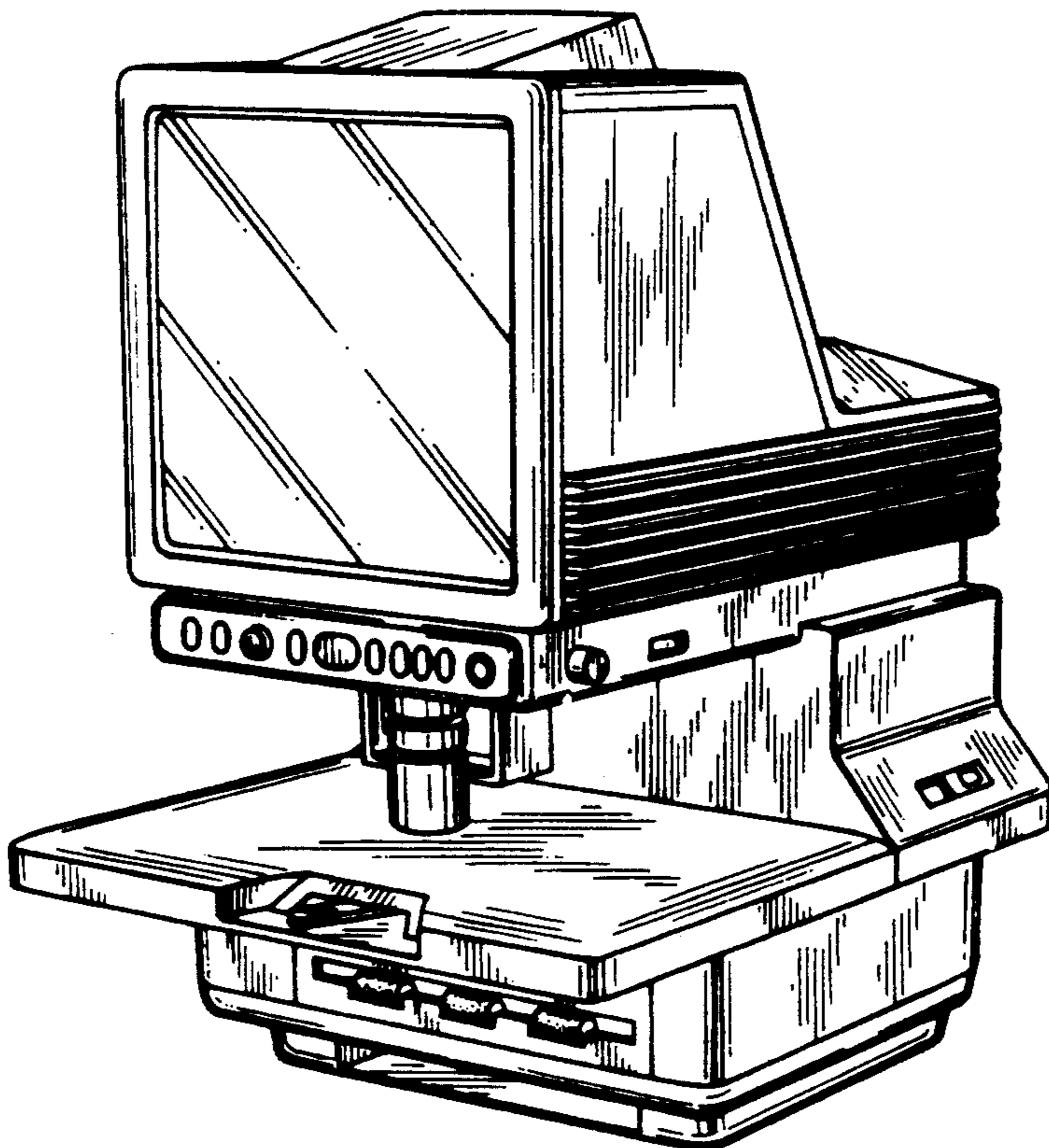


FIG. 1

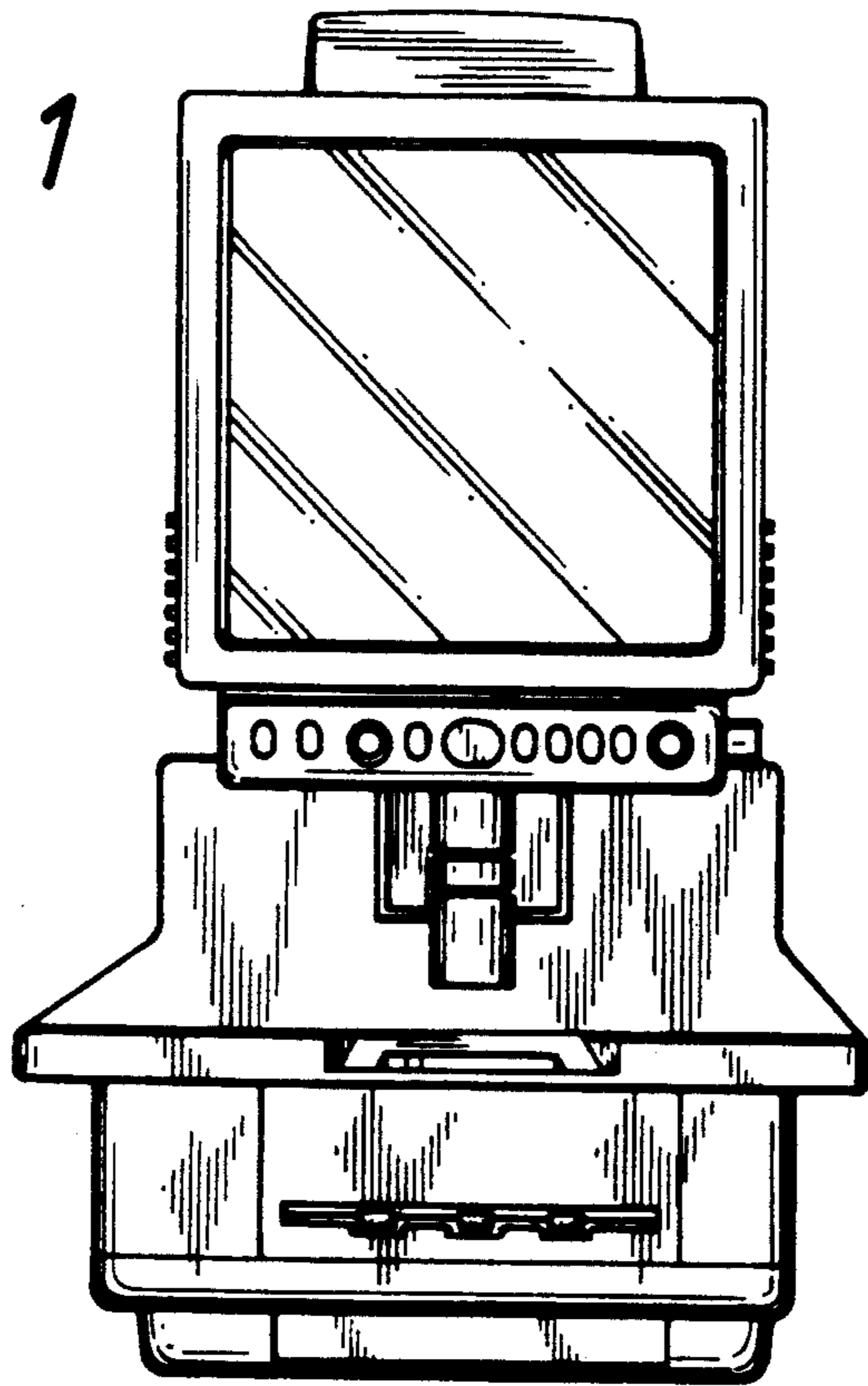


FIG. 2

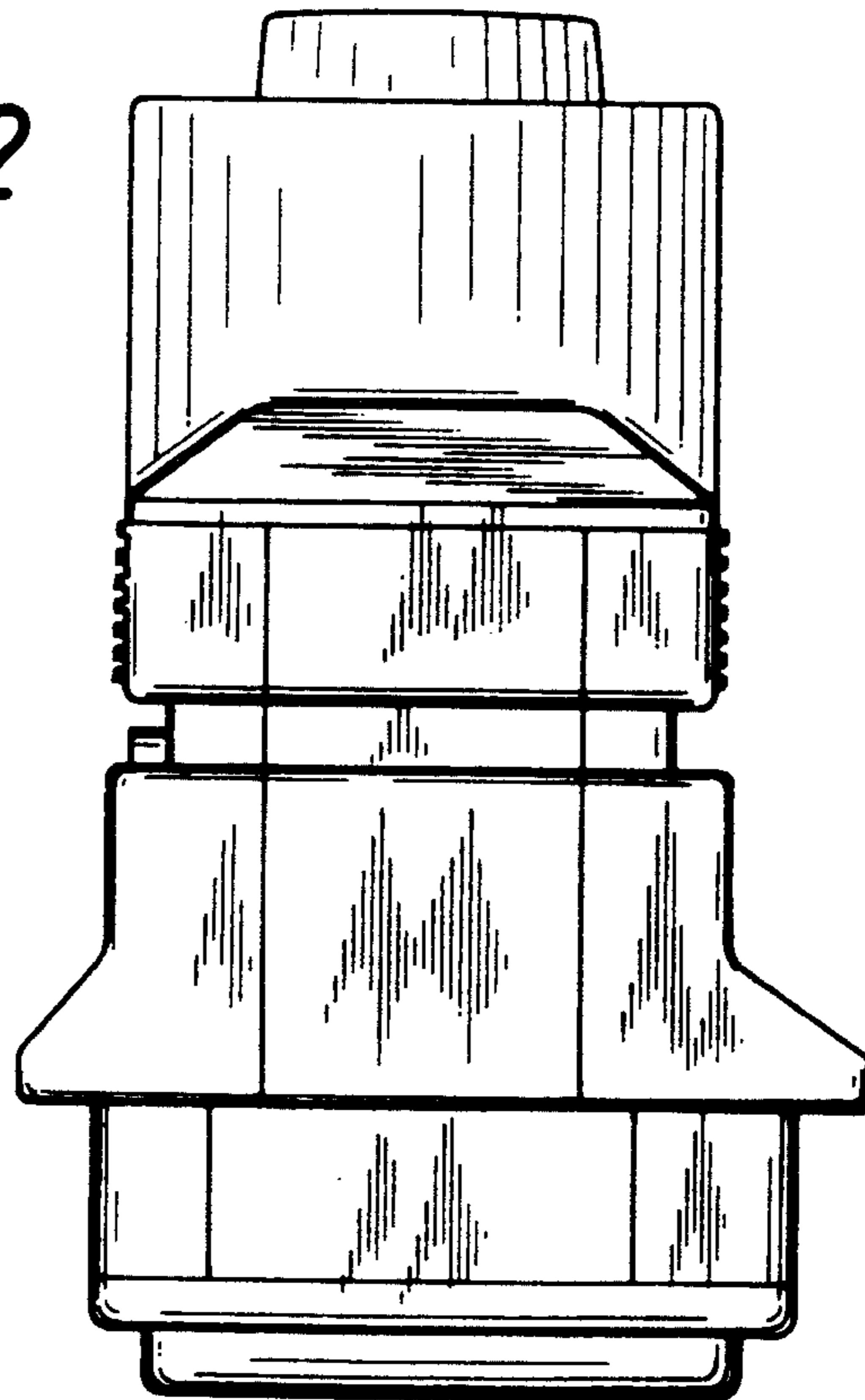


FIG. 3

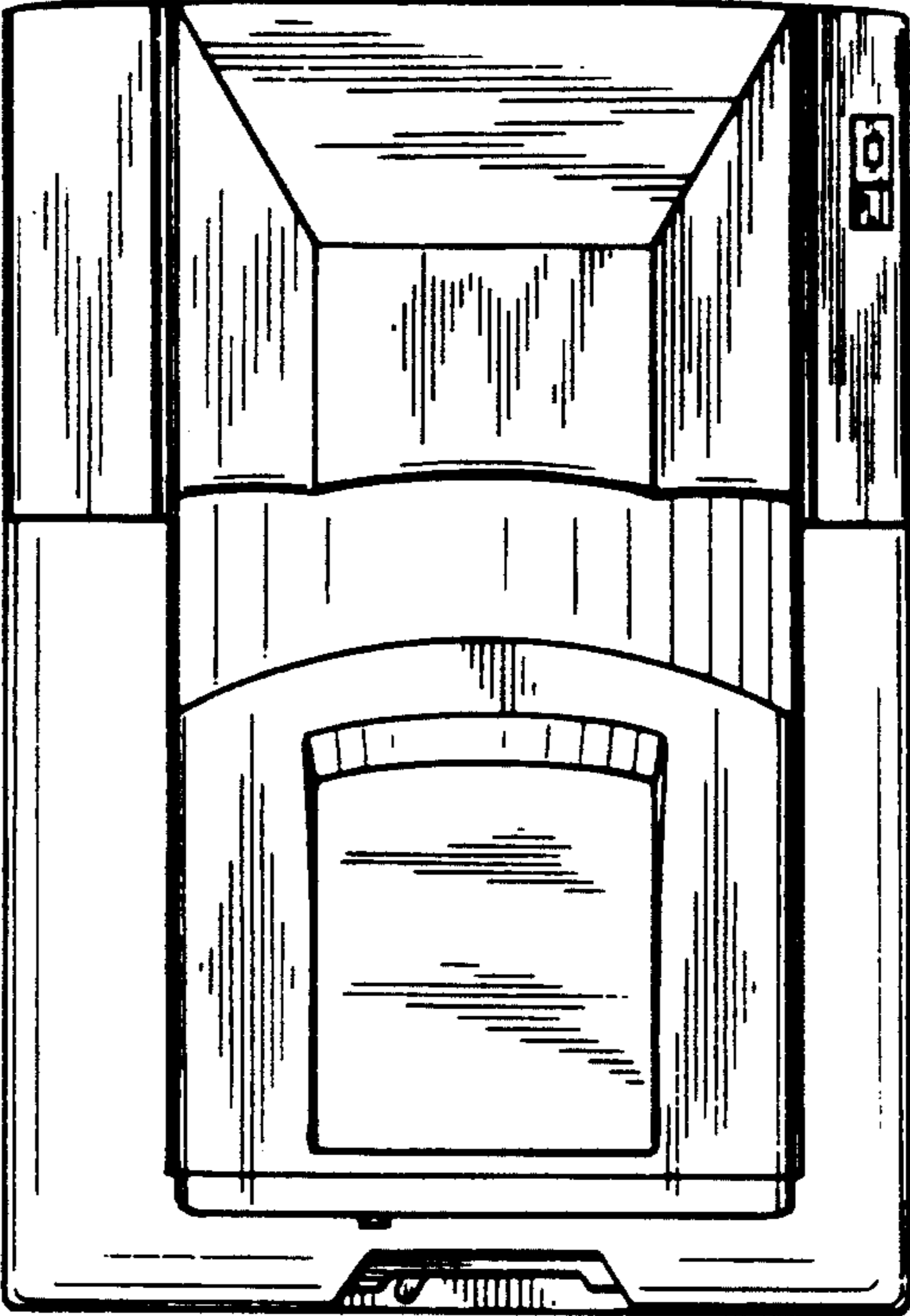
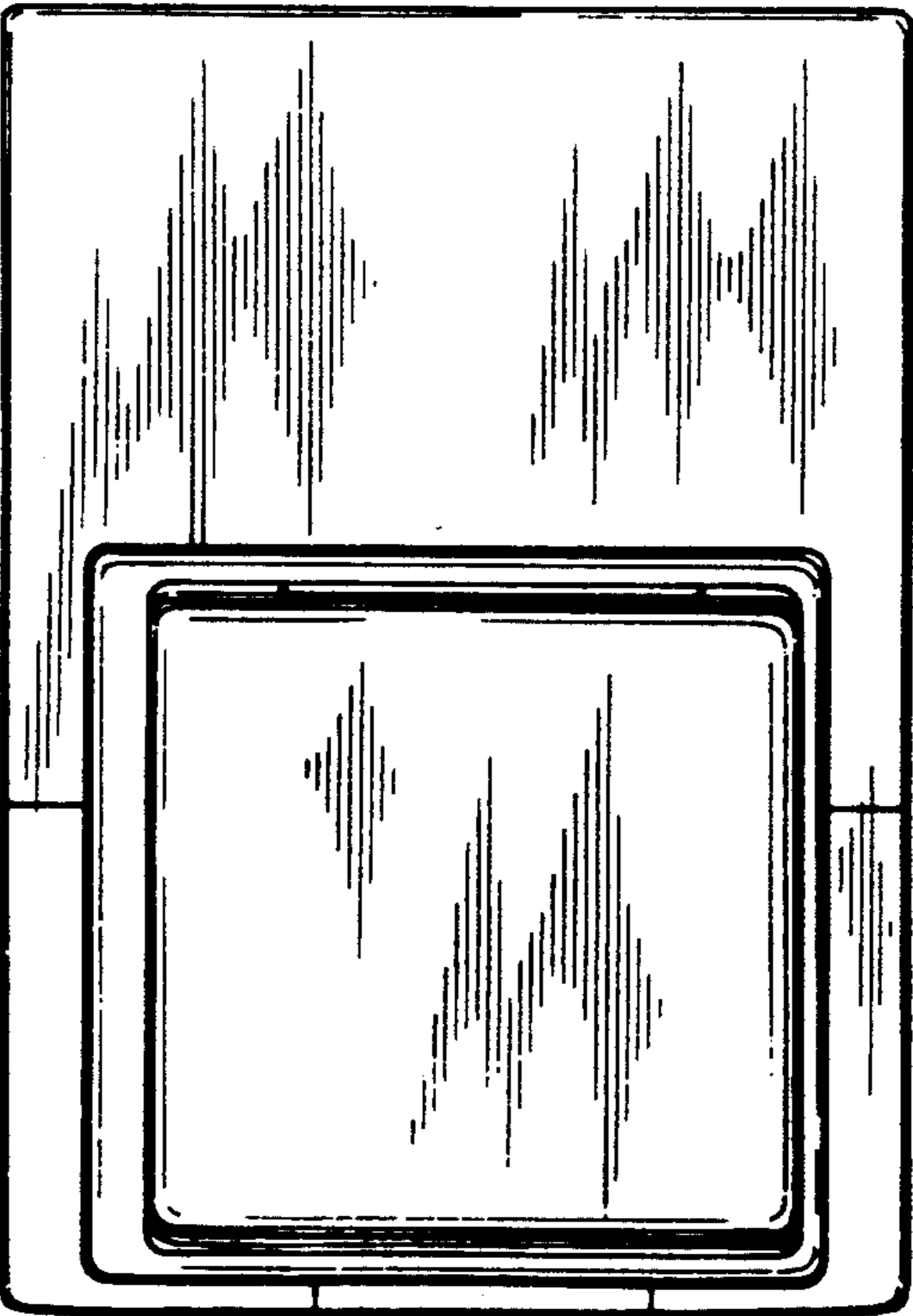
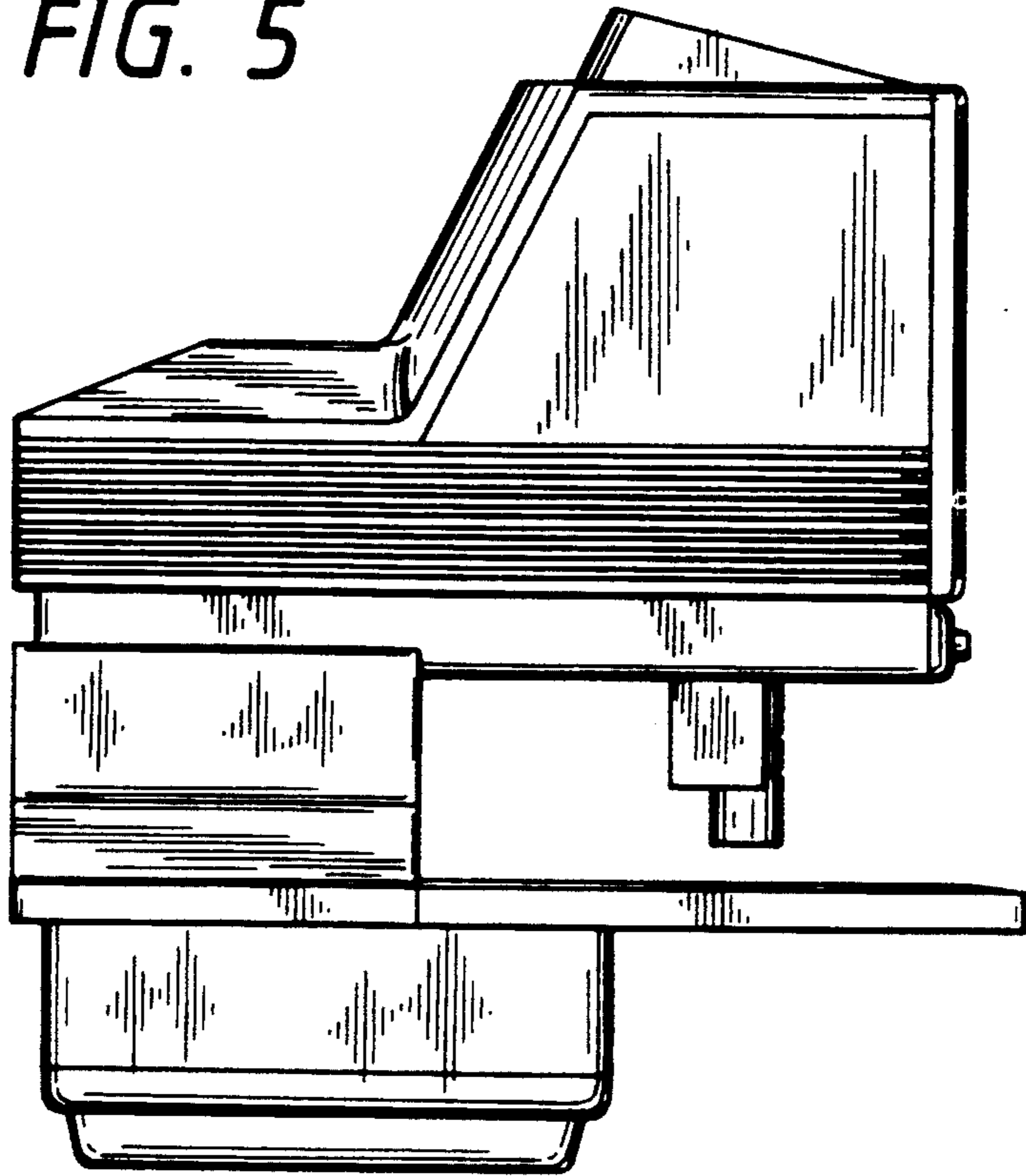


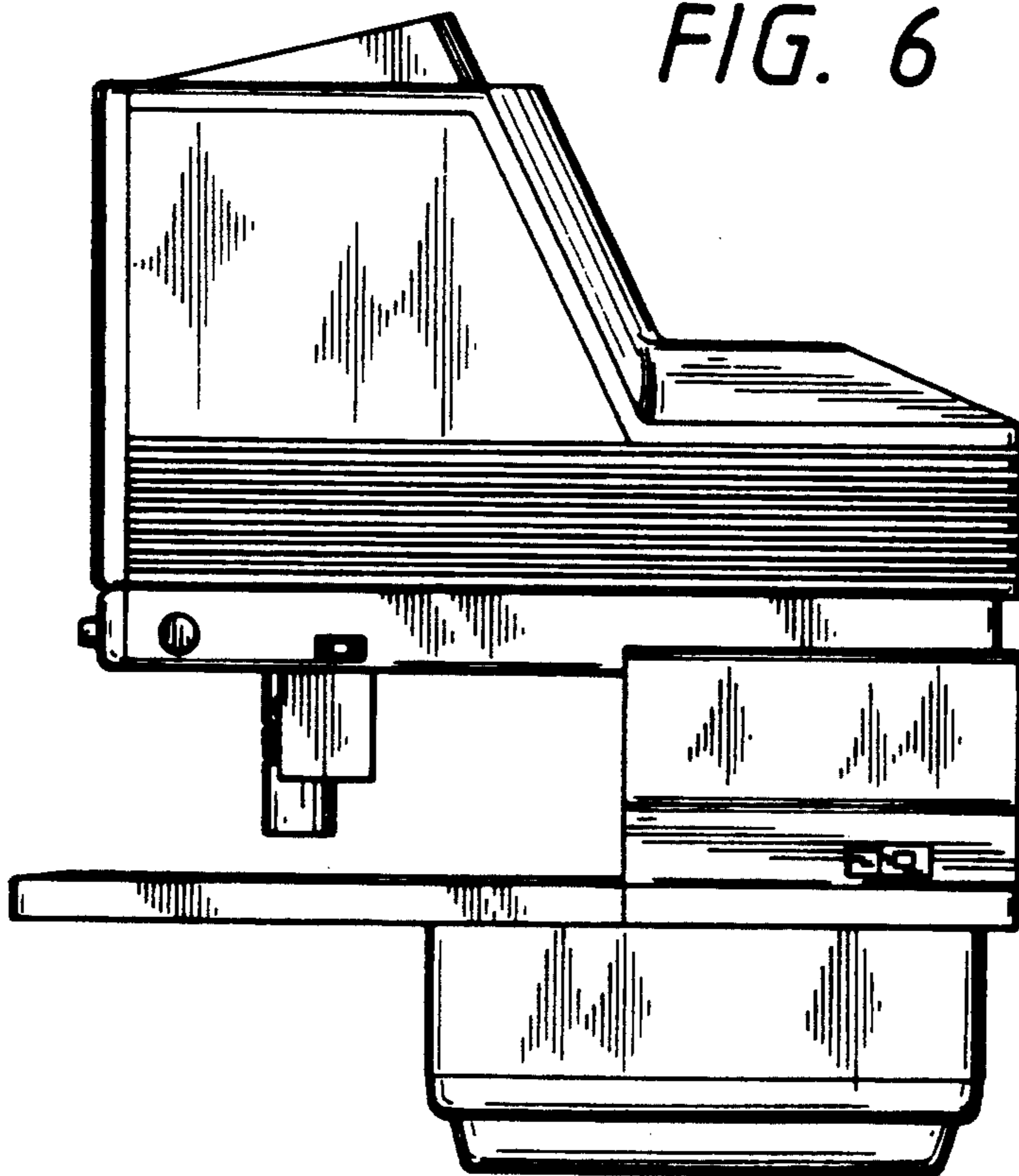
FIG. 4



*FIG. 5*



*FIG. 6*



*FIG. 7*

