



US00D344738S

# United States Patent [19]

Young

[11] Patent Number: **Des. 344,738**

[45] Date of Patent: **\*\* Mar. 1, 1994**

## [54] SHREDDER FOR STEEP SLOPES

[76] Inventor: **Eddie J. Young**, 220 Rockford Rd., Waco, Tex. 76712

[\*\*] Term: **14 Years**

[21] Appl. No.: **754,430**

[22] Filed: **Sep. 3, 1991**

[52] U.S. Cl. .... **D15/27**

[58] Field of Search ..... 56/6, 13.3, 13.4, 15.8, 56/16.7, 17.1, 202, 255, 320.2; D15/10, 14-17, 27, 28

## [56] References Cited

### U.S. PATENT DOCUMENTS

D. 208,364	8/1967	Coss	.....	D15/17
D. 271,398	11/1983	McCanse et al.	.....	D15/27
3,177,639	4/1965	Hardee	.....	D15/27
4,858,417	8/1989	Priefert et al.	.....	56/17.1
5,005,344	4/1991	McCracken	.....	56/16.7

## OTHER PUBLICATIONS

John Deere Lawn-Garden Tractors Dec. 1987 p. 16 Mower, center.

*Primary Examiner*—Bernard Ansher  
*Assistant Examiner*—Sandra Morris  
*Attorney, Agent, or Firm*—S. Michael Bender

## [57] CLAIM

The ornamental design for a shredder for steep slopes, as shown and described.

## DESCRIPTION

FIG. 1 is a front elevational view of the shredder for steep slopes showing my new design; FIG. 2 is a rear elevational view thereof; FIG. 3 is a left side elevational view thereof; FIG. 4 is a right side elevational view thereof; FIG. 5 is a top plan view thereof; FIG. 6 is a bottom plan view thereof; and, FIG. 7 is a perspective view thereof.

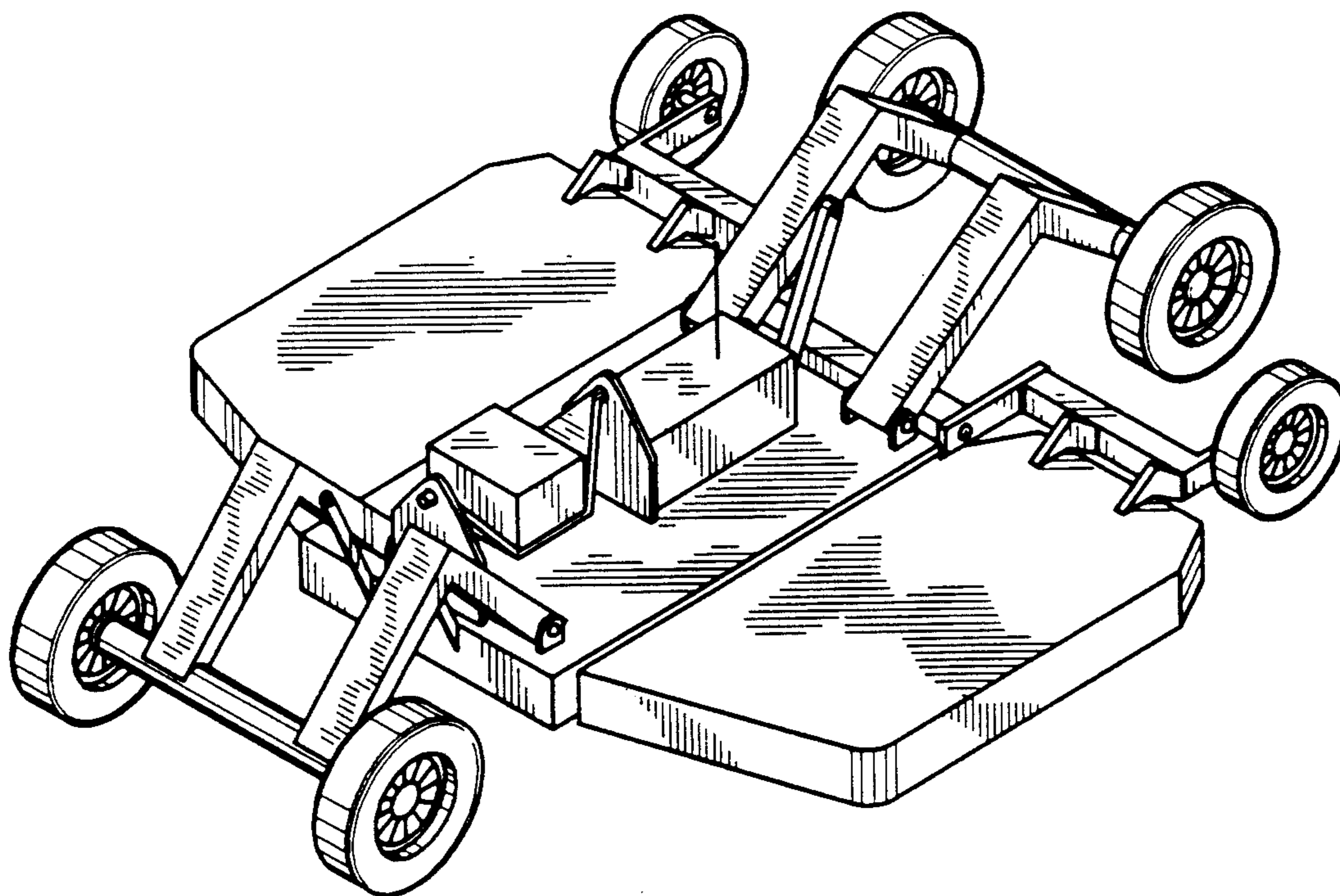


FIG. 1

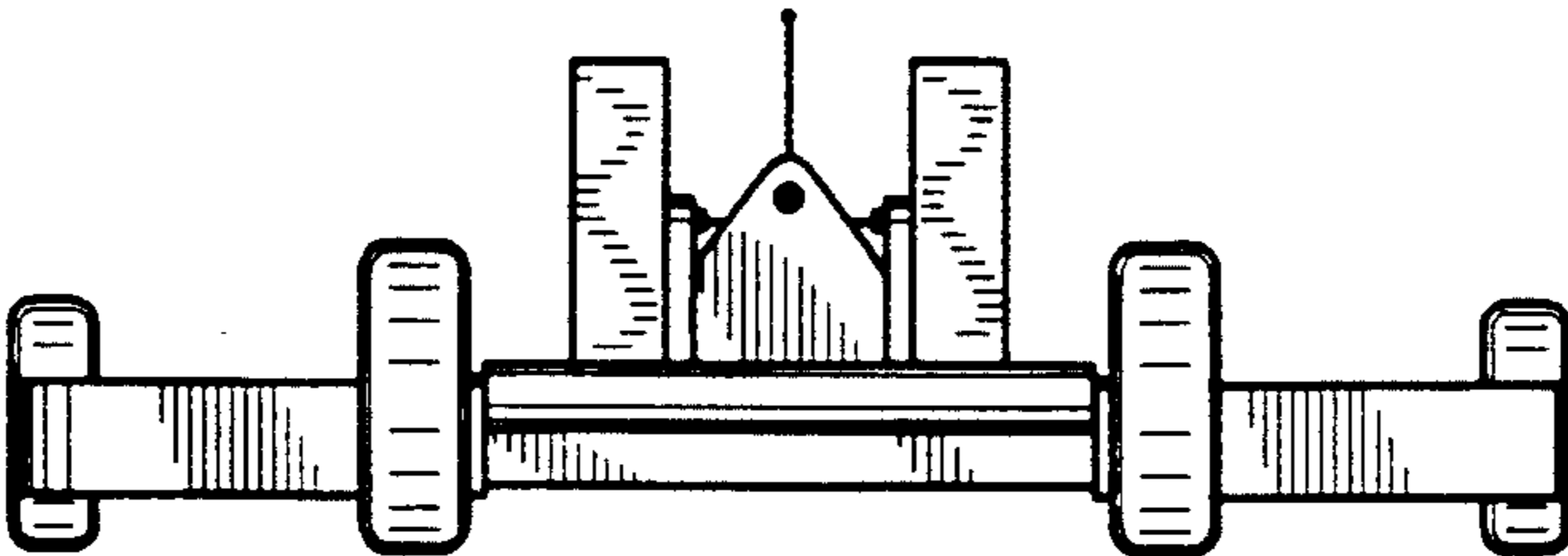


FIG. 2

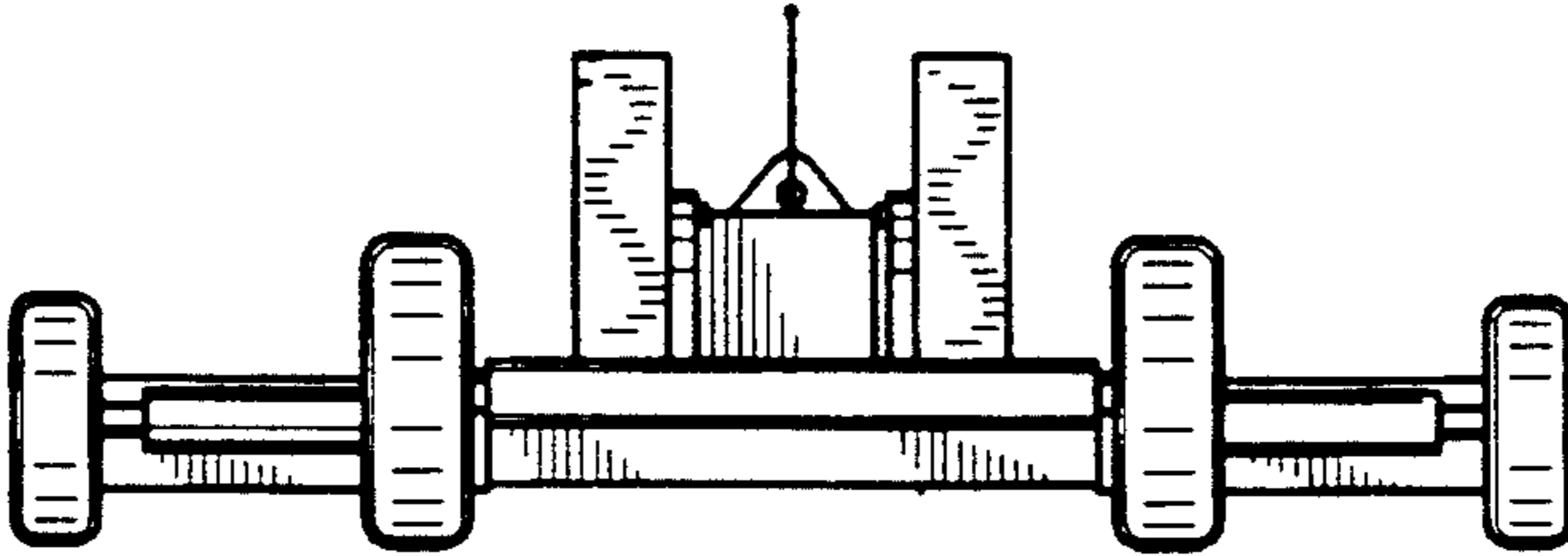


FIG. 3

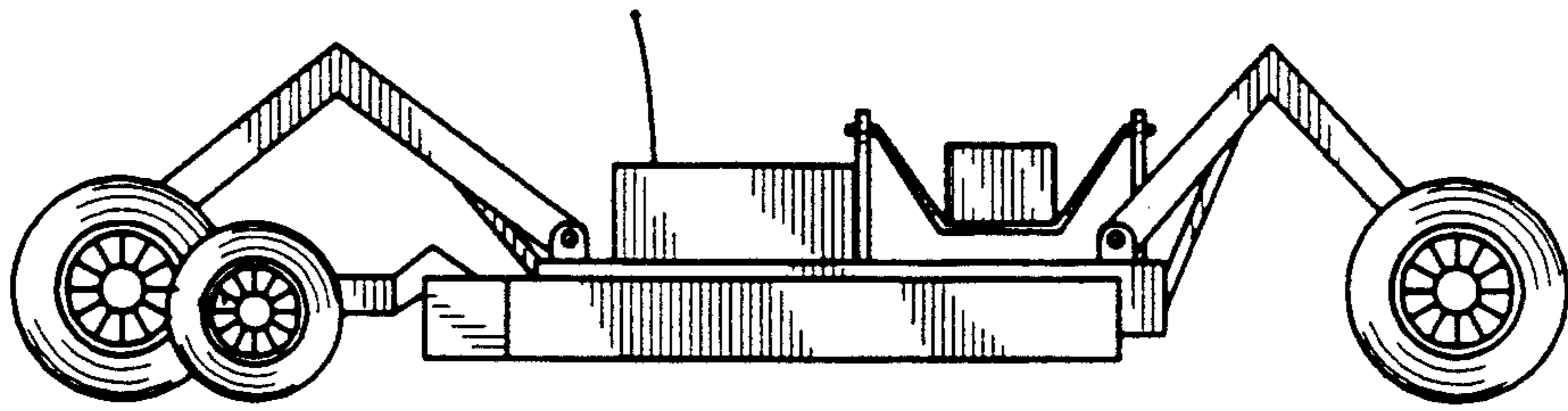


FIG. 4

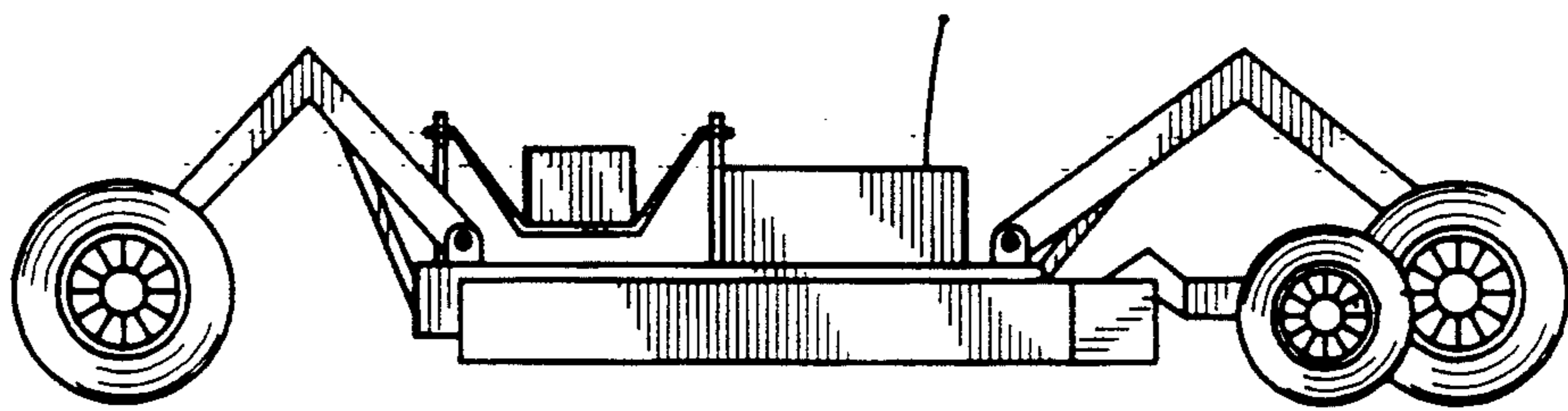


FIG. 5

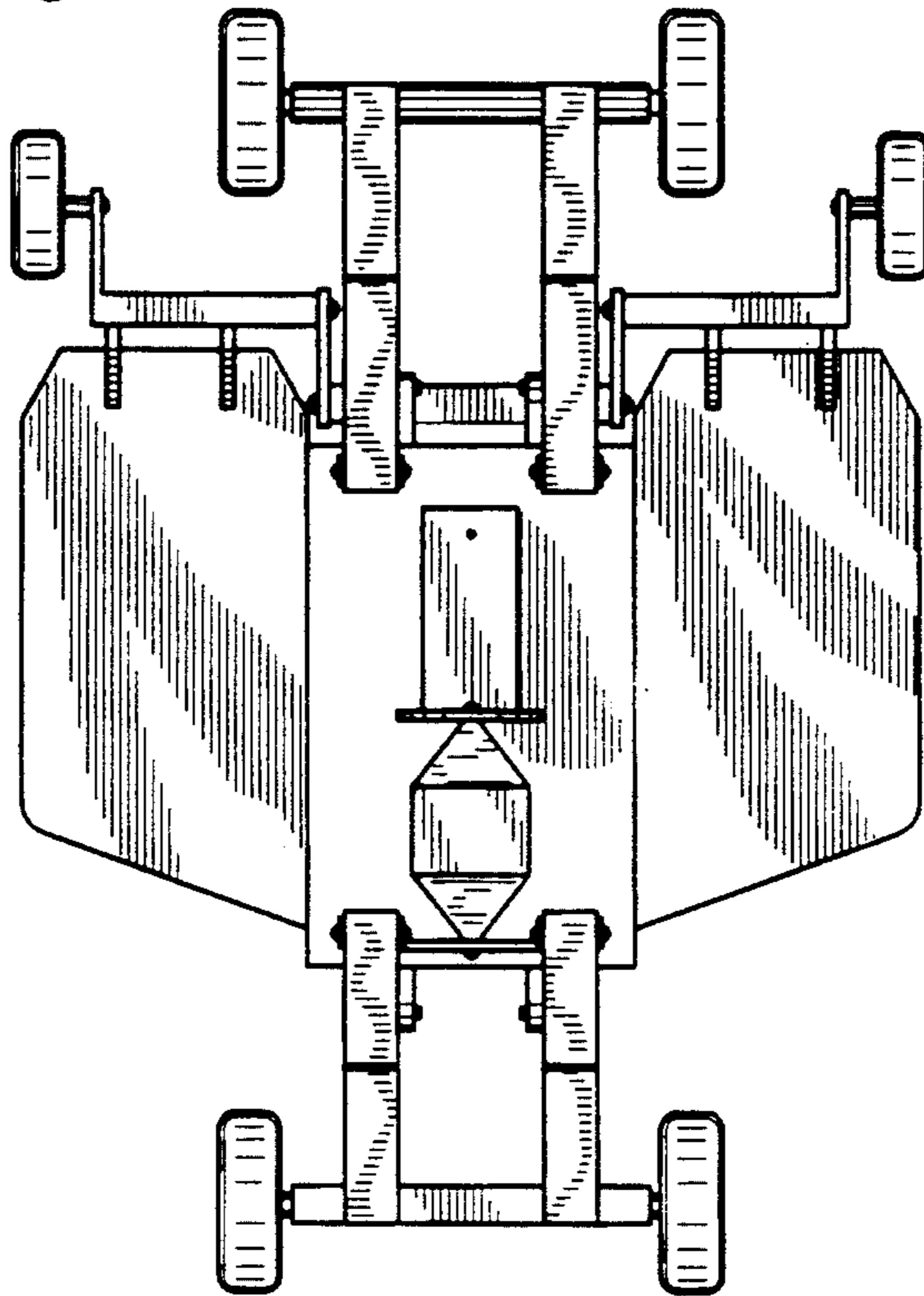


FIG. 6

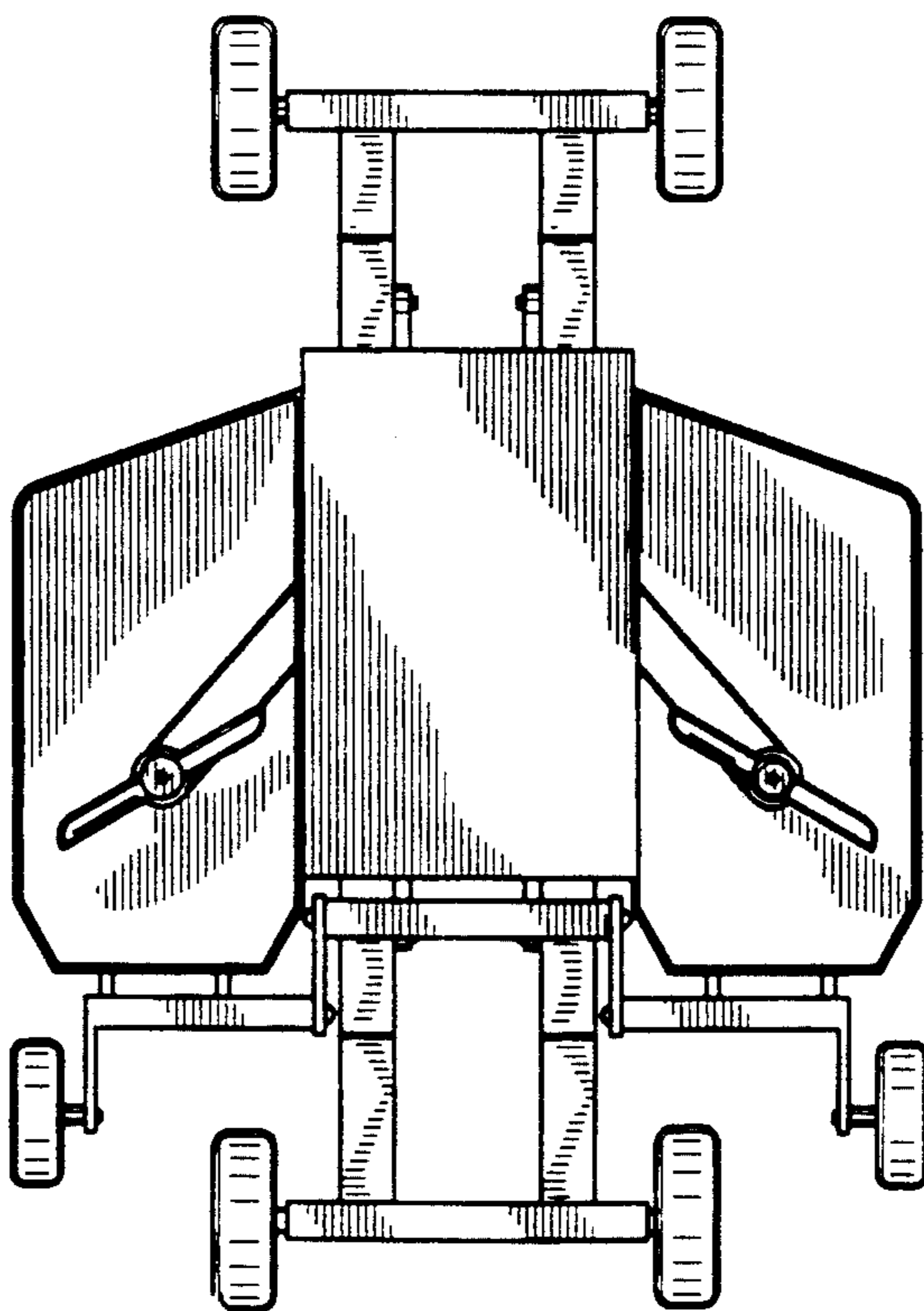


FIG. 7

