



US00D344736S

# United States Patent [19]

[11] Patent Number: **Des. 344,736**

Allen et al.

[45] Date of Patent: **\*\* Mar. 1, 1994**

[54] **RIDING TROWEL FOR CONCRETE FINISHING**

4,710,055	12/1987	Maass et al. ....	404/112
4,784,519	11/1988	Artzberger .....	404/112
4,859,114	8/1989	Artzberger .....	404/112

[75] Inventors: **J. Dewayne Allen, Paragould; Hugh L. Adams, Bassett, both of Ark.**

### FOREIGN PATENT DOCUMENTS

[73] Assignee: **Allen Engineering Corporation, Paragould, Ark.**

2327260 12/1973 Fed. Rep. of Germany ..... 404/112

[\*\*] Term: **14 Years**

*Primary Examiner*—Bernard Ansher  
*Assistant Examiner*—Sandra Morris  
*Attorney, Agent, or Firm*—Stephen D. Carver; J. L. Mahurin

[21] Appl. No.: **827,925**

[22] Filed: **Jan. 27, 1992**

[52] U.S. Cl. .... **D15/10**

[58] Field of Search ..... 404/85, 96, 112;  
D15/10, 72, 27

### [57] CLAIM

The ornamental design for a riding trowel for concrete finishing, as shown and described.

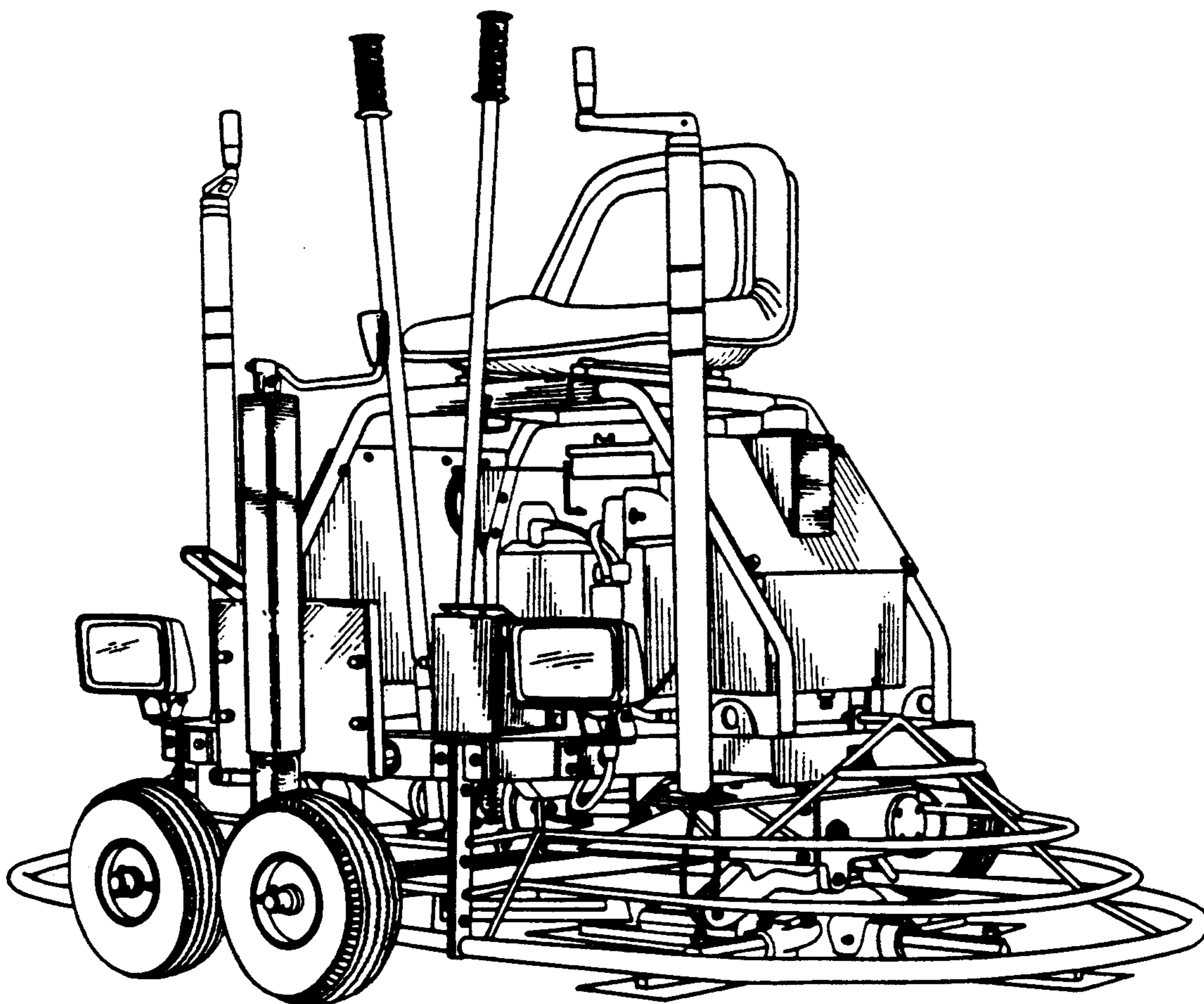
### [56] References Cited

#### U.S. PATENT DOCUMENTS

D. 323,510	1/1992	Allen et al. ....	D15/10
2,898,826	4/1959	Livermont .....	404/112
3,936,212	2/1976	Holz, Sr. et al. ....	404/112
4,046,484	9/1977	Holz, Sr. et al. ....	404/112
4,496,265	1/1985	Fragale .....	D15/10
4,556,339	12/1985	Morrison .....	404/112

### DESCRIPTION

FIG. 1 is a rear elevational view of the riding trowel for concrete finishing;  
FIG. 2 is a left end elevational view thereof;  
FIG. 3 is a top plan view thereof;  
FIG. 4 is a right end elevational view;  
FIG. 5 is a front elevational view;  
FIG. 6 is a front perspective view thereof; and,  
FIG. 7 is a rear perspective view thereof.



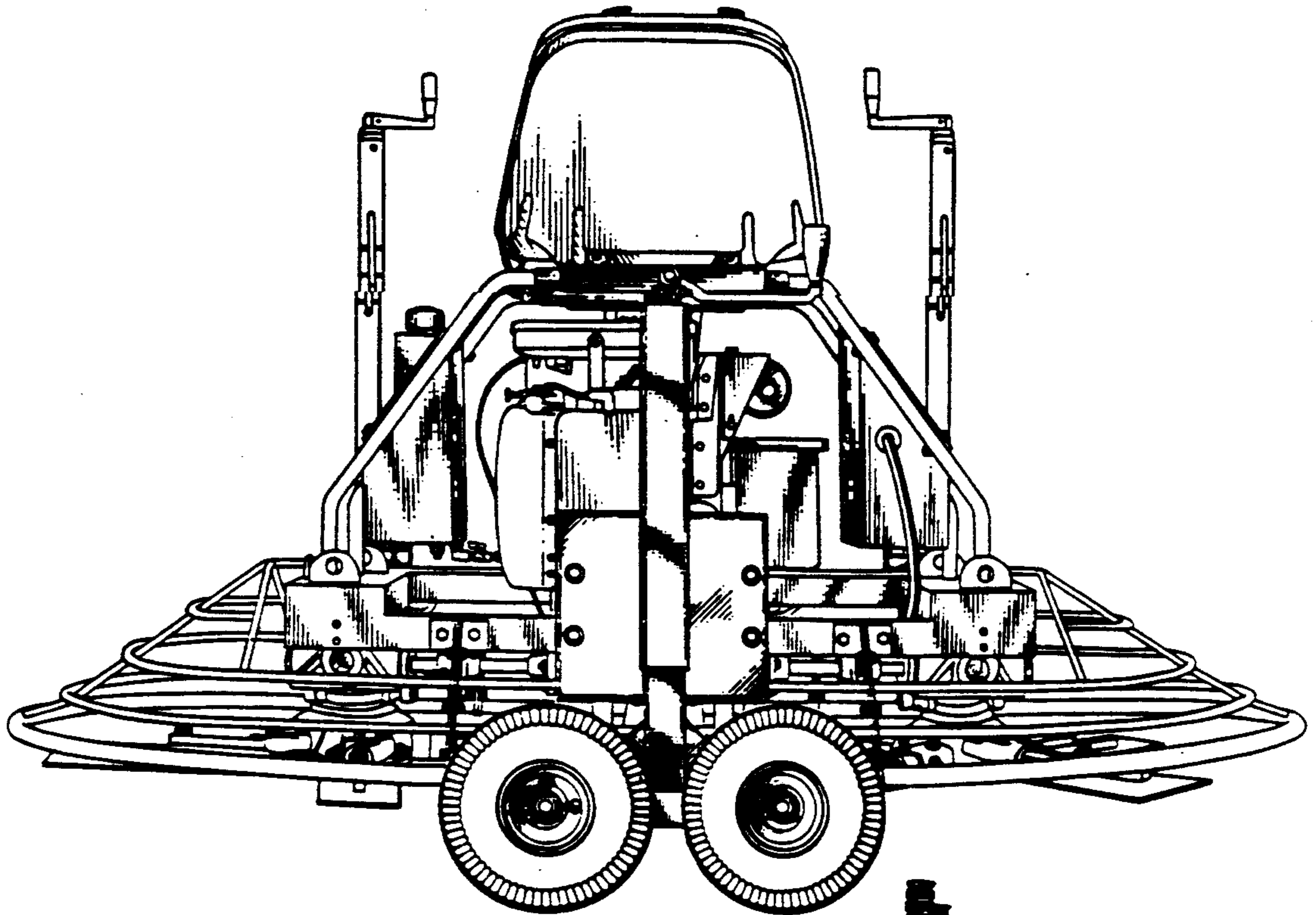


FIG. 1

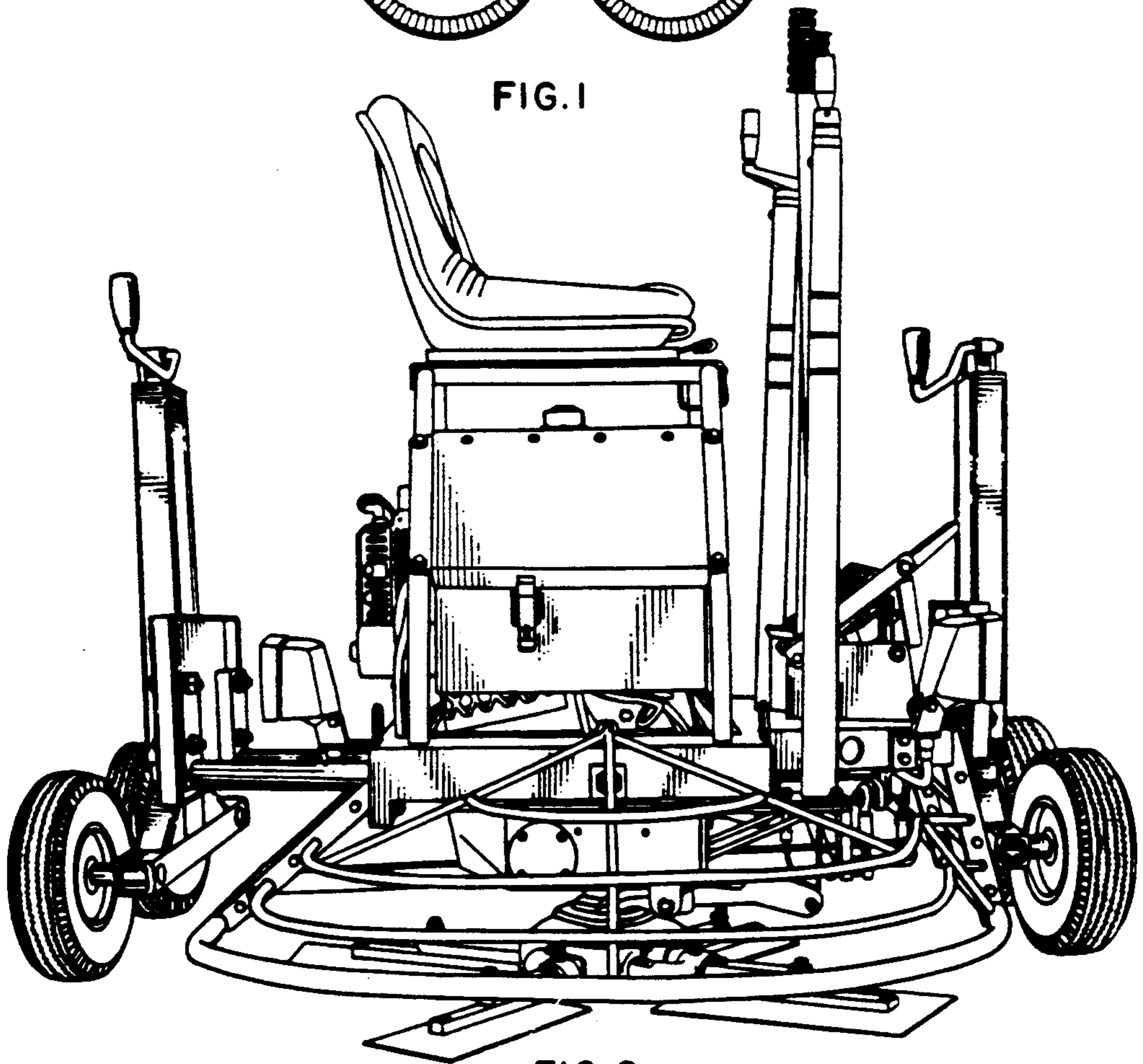


FIG. 2

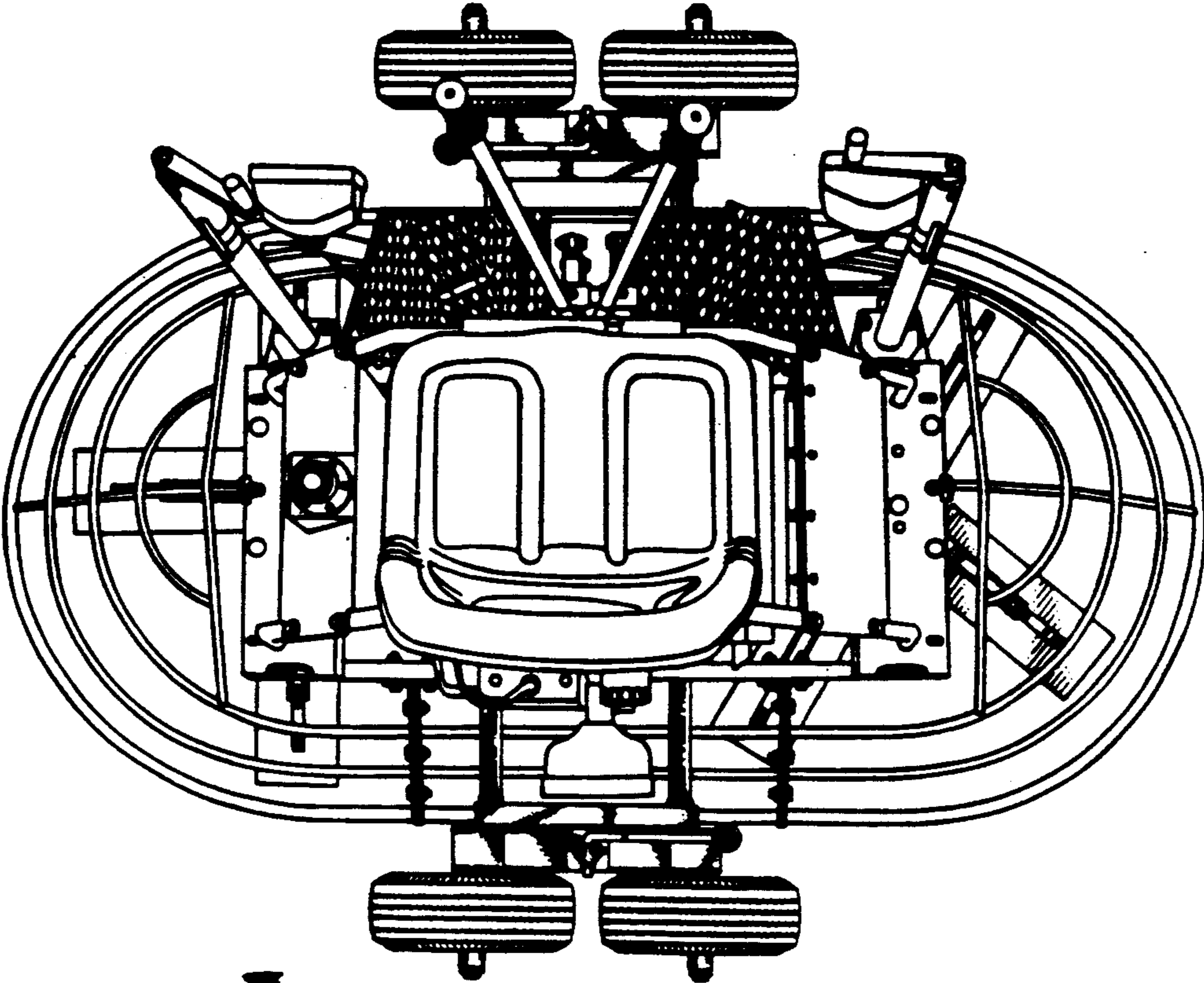


FIG. 3

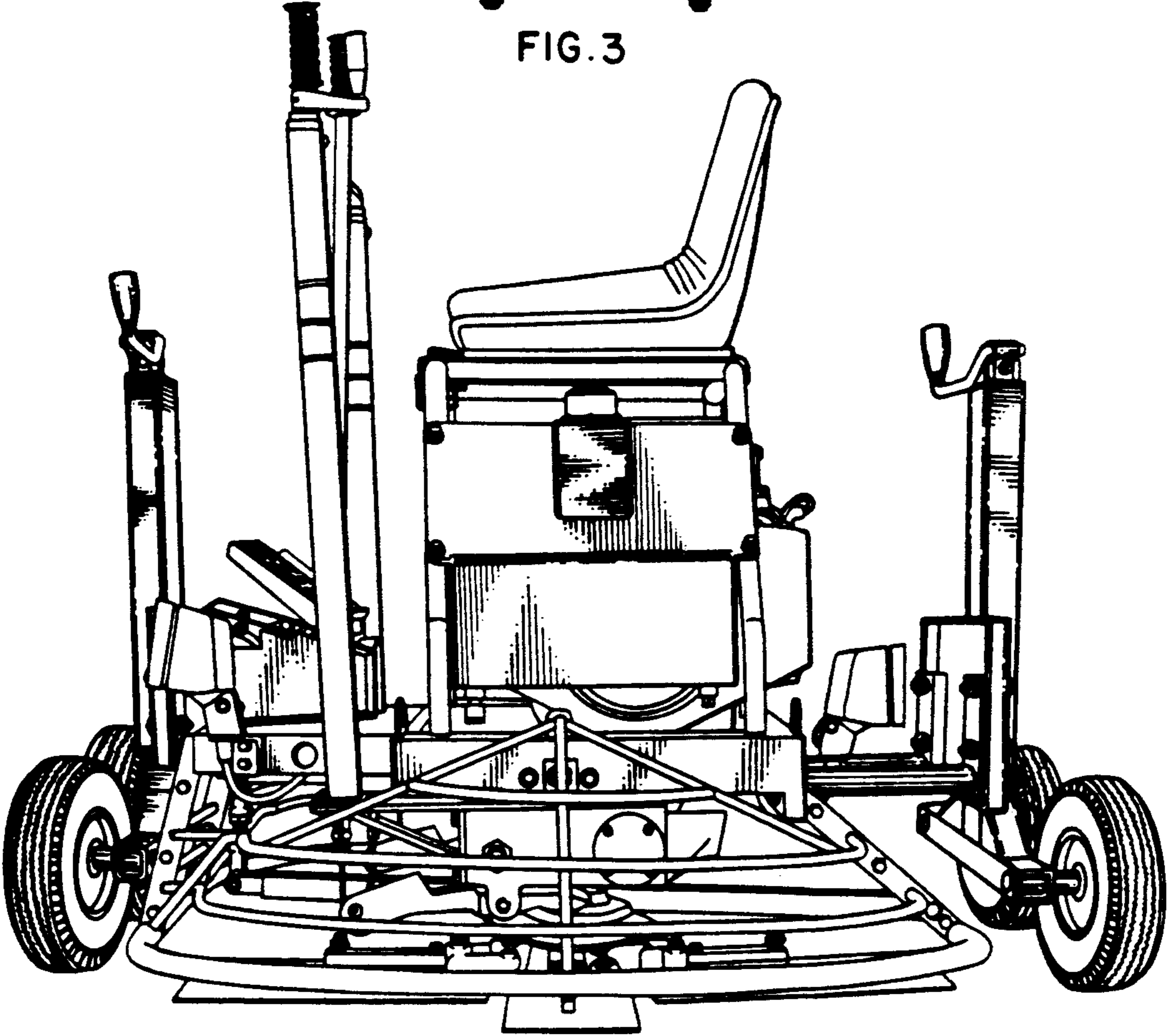


FIG. 4

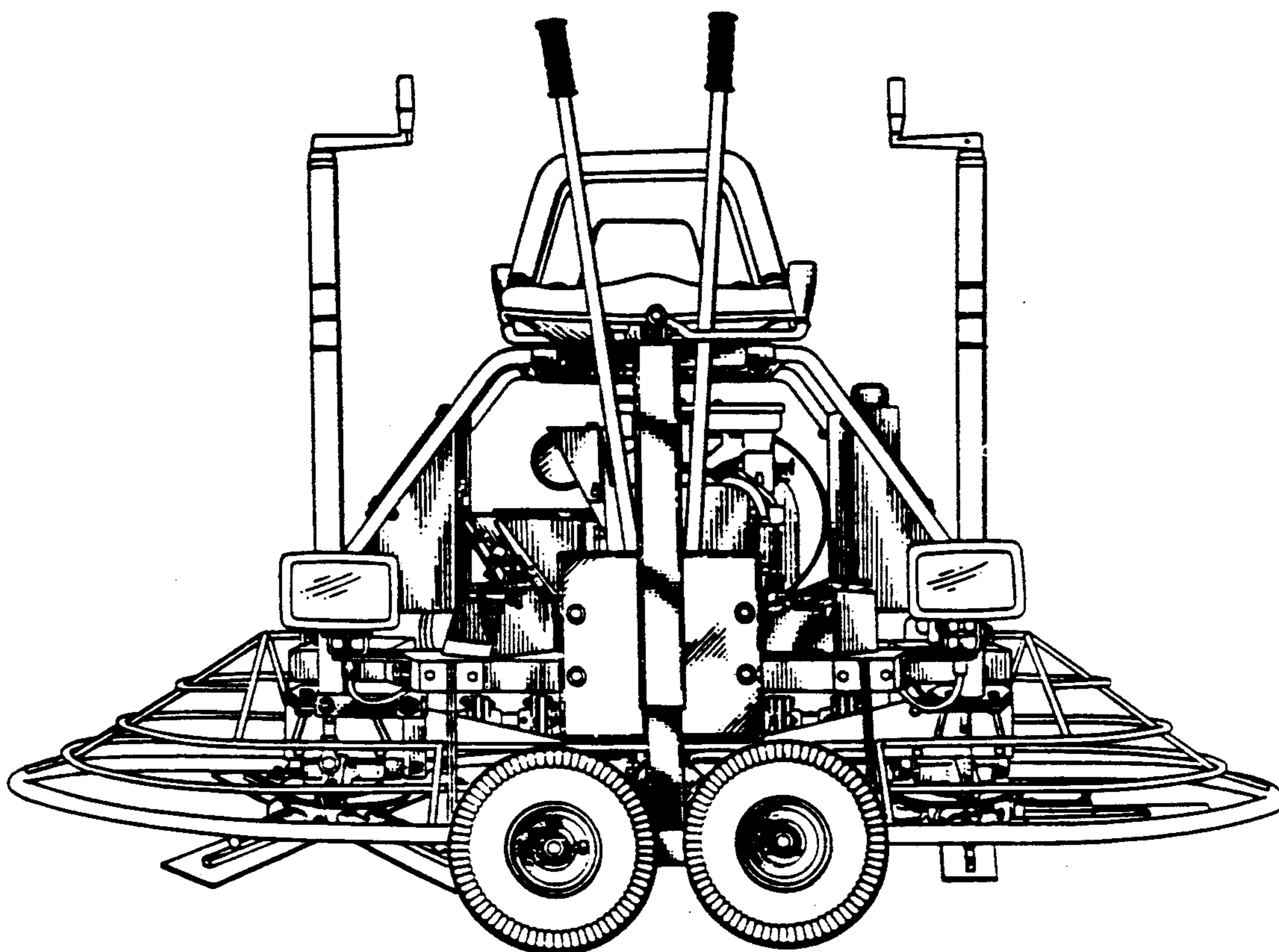


FIG. 5

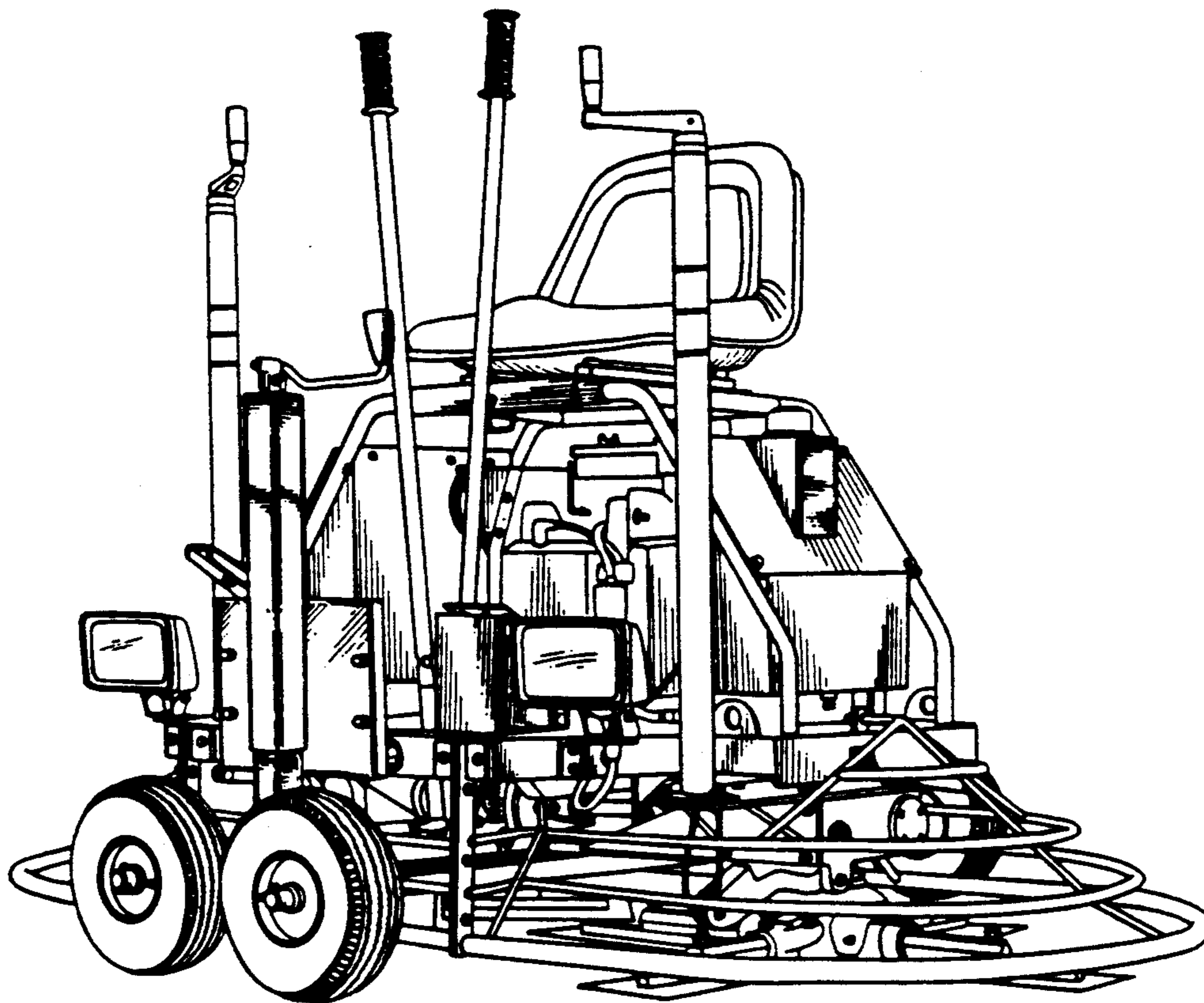


FIG. 6

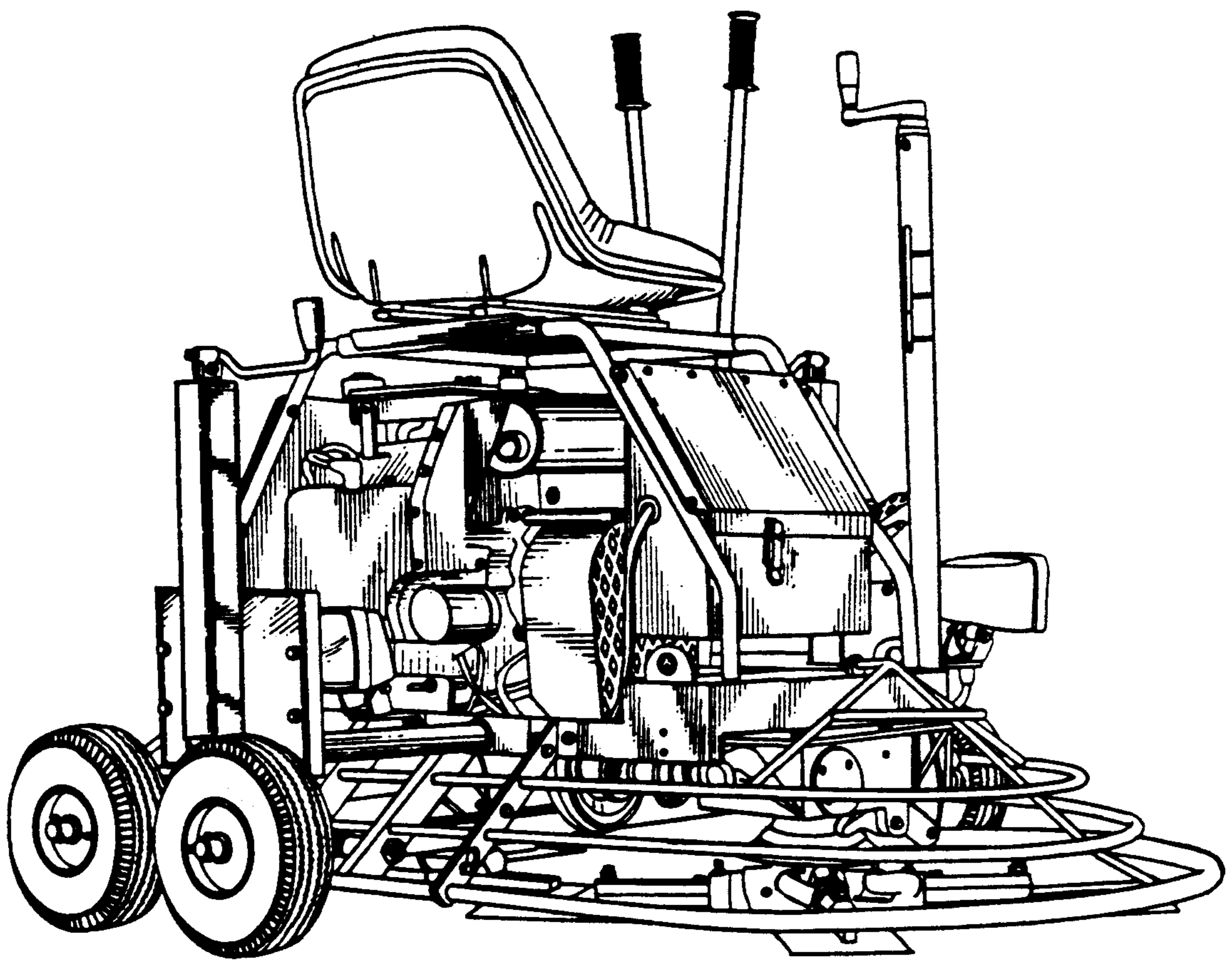


FIG. 7