



US00D344735S

United States Patent [19]

Ohman

[11] Patent Number: **Des. 344,735**

[45] Date of Patent: **** Mar. 1, 1994**

[54] **BLOWER HOUSING FOR MEDICAL EQUIPMENT**

5,201,771 4/1993 Pasqualucci et al. 604/153

[75] Inventor: **Randall L. Ohman**, San Antonio, Tex.

Primary Examiner—A. Hugo Word
Assistant Examiner—I. Simmons

[73] Assignee: **Kinetic Concepts, Inc.**, San Antonio, Tex.

[57] **CLAIM**

[**] Term: **14 Years**

The ornamental design for a blower housing for medical equipment, as shown and described.

[21] Appl. No.: **798,761**

DESCRIPTION

[22] Filed: **Nov. 27, 1991**

[52] U.S. Cl. **D15/7; D15/9; D24/108; D24/111**

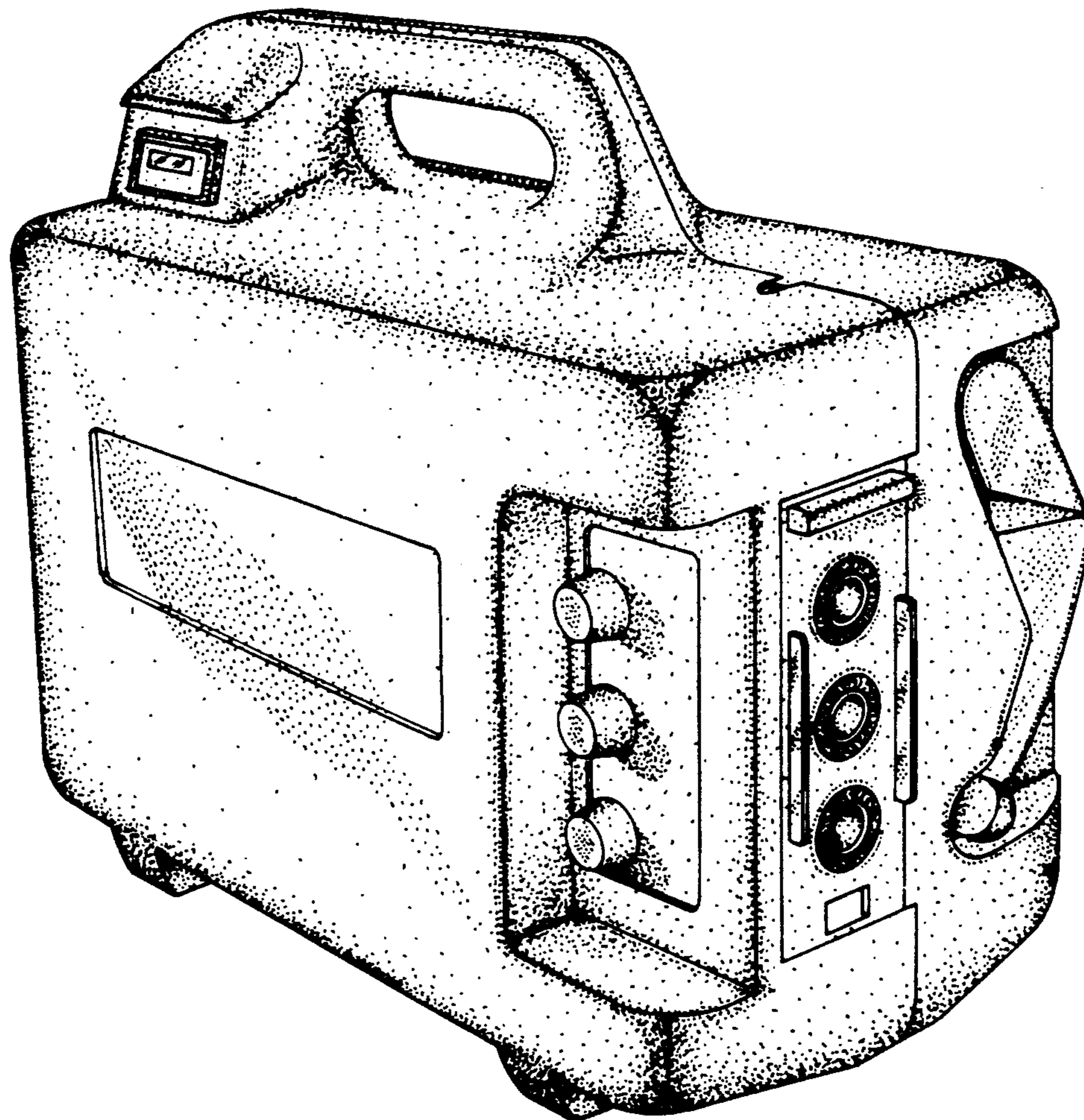
[58] Field of Search **128/24 R, 38, 39, 40, 128/64, 25 R, 779; 602/13; D24/165, 169, 201; D15/7, 9**

FIG. 1 is a perspective view of a blower housing for medical equipment of my new design;
FIG. 2 is a top view of a blower housing for medical equipment of FIG. 1;
FIG. 3 is a frontal elevation view of a blower housing for medical equipment of Fig. 1;
FIG. 4 is a first side elevation view of a blower housing for medical equipment of FIG. 1;
FIG. 5 is a second side elevation view of a blower housing for medical equipment of FIG. 1;
FIG. 6 is a rear elevation view of a blower housing for medical equipment shown in FIG. 1; and,
FIG. 7 is a bottom plan view of a blower housing for medical equipment shown in FIG. 1.

[56] References Cited

U.S. PATENT DOCUMENTS

D. 328,305	7/1992	Wong	D15/9
3,892,229	7/1975	Taylor et al.	128/24 R
4,991,568	2/1991	Lin	128/64



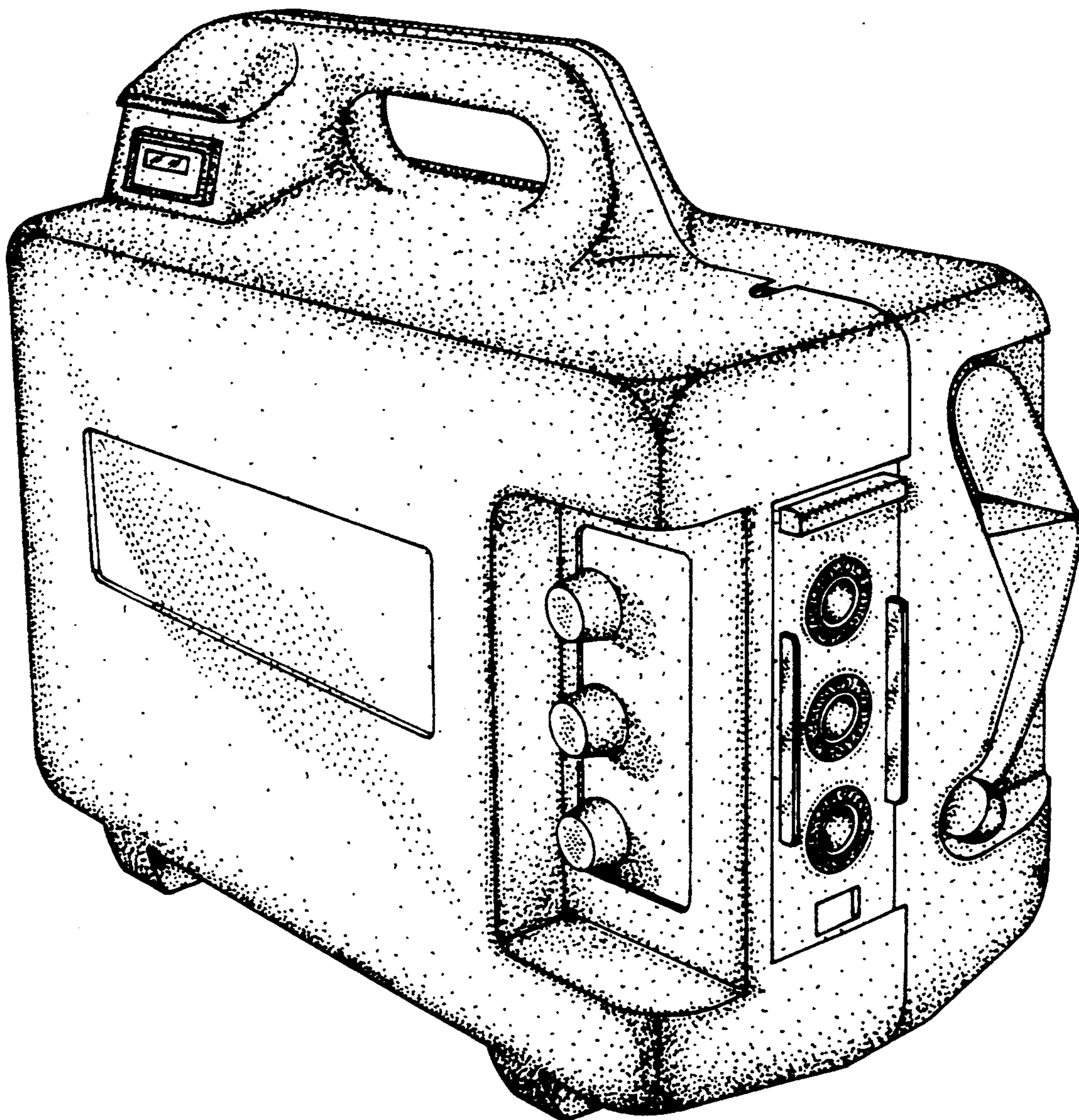


Fig. 1

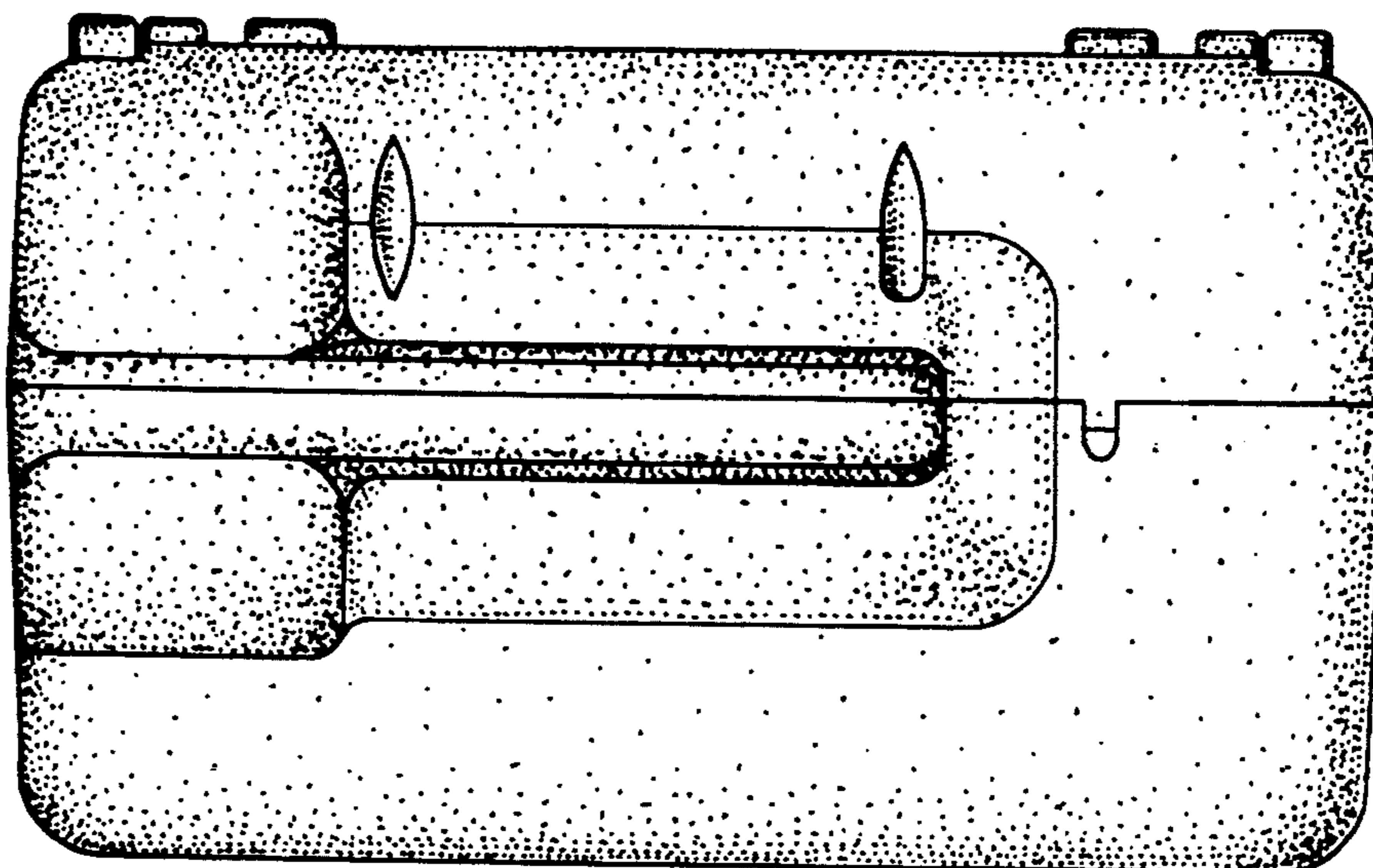


Fig. 2

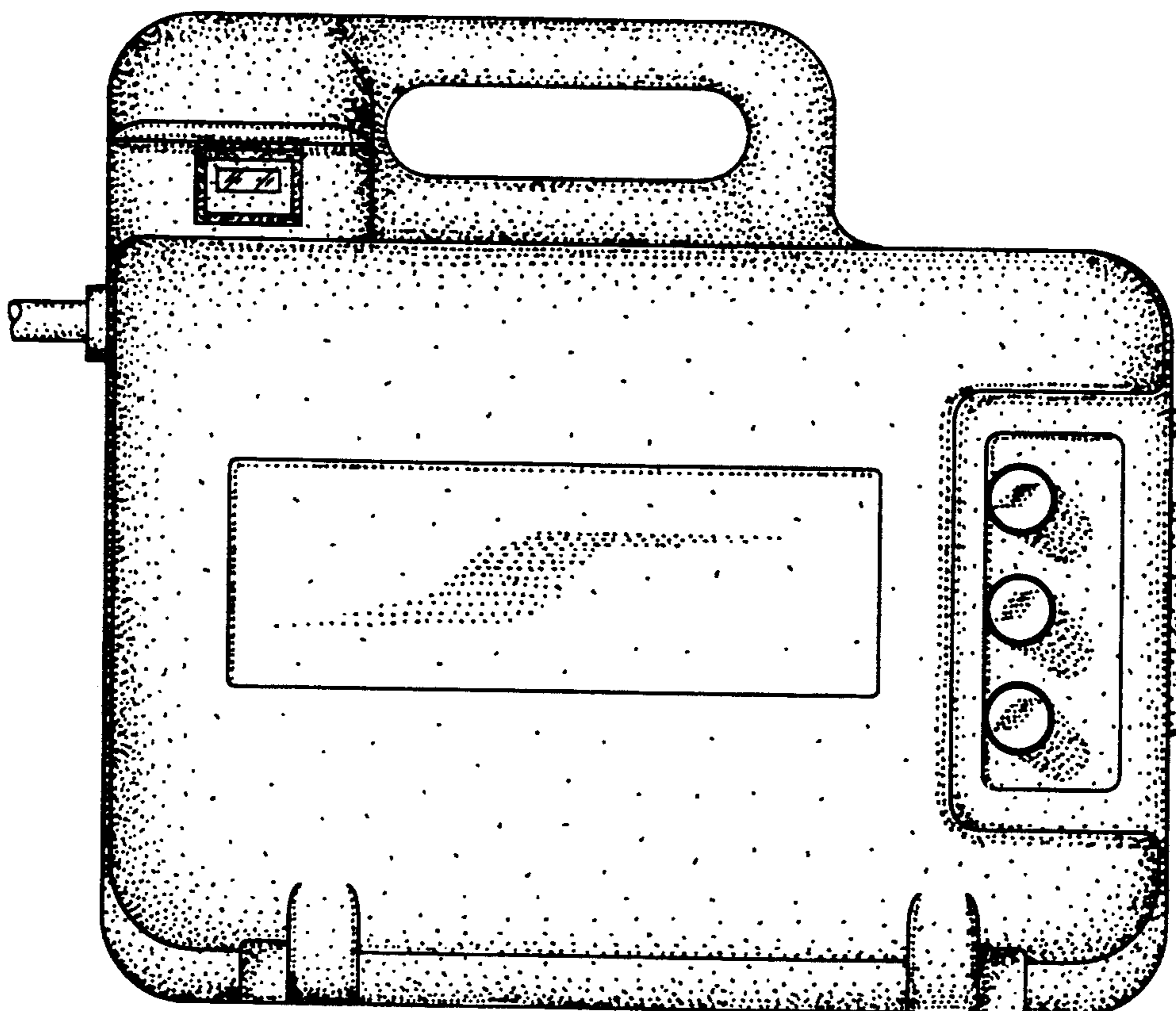


Fig. 3

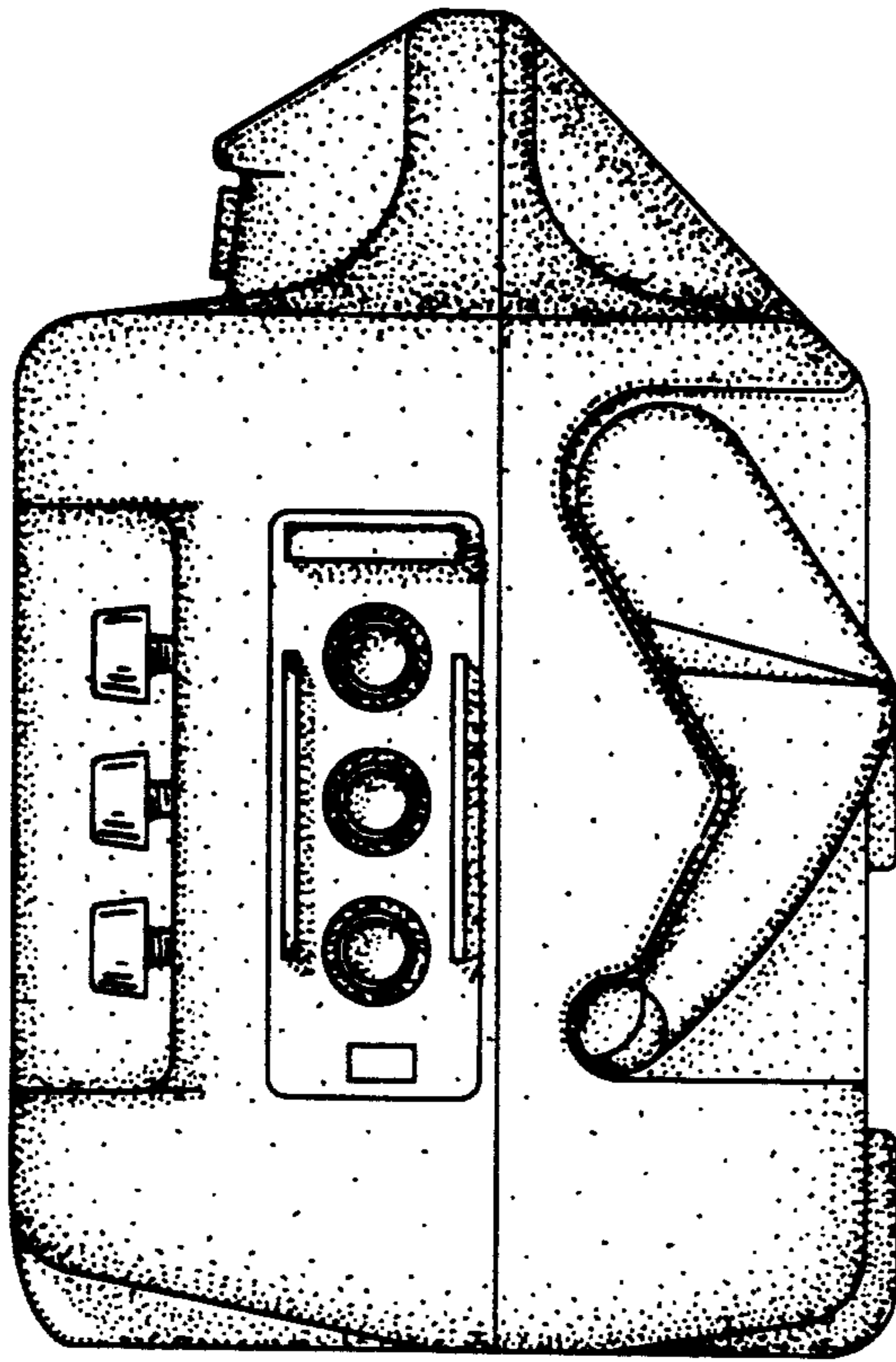


Fig. 4

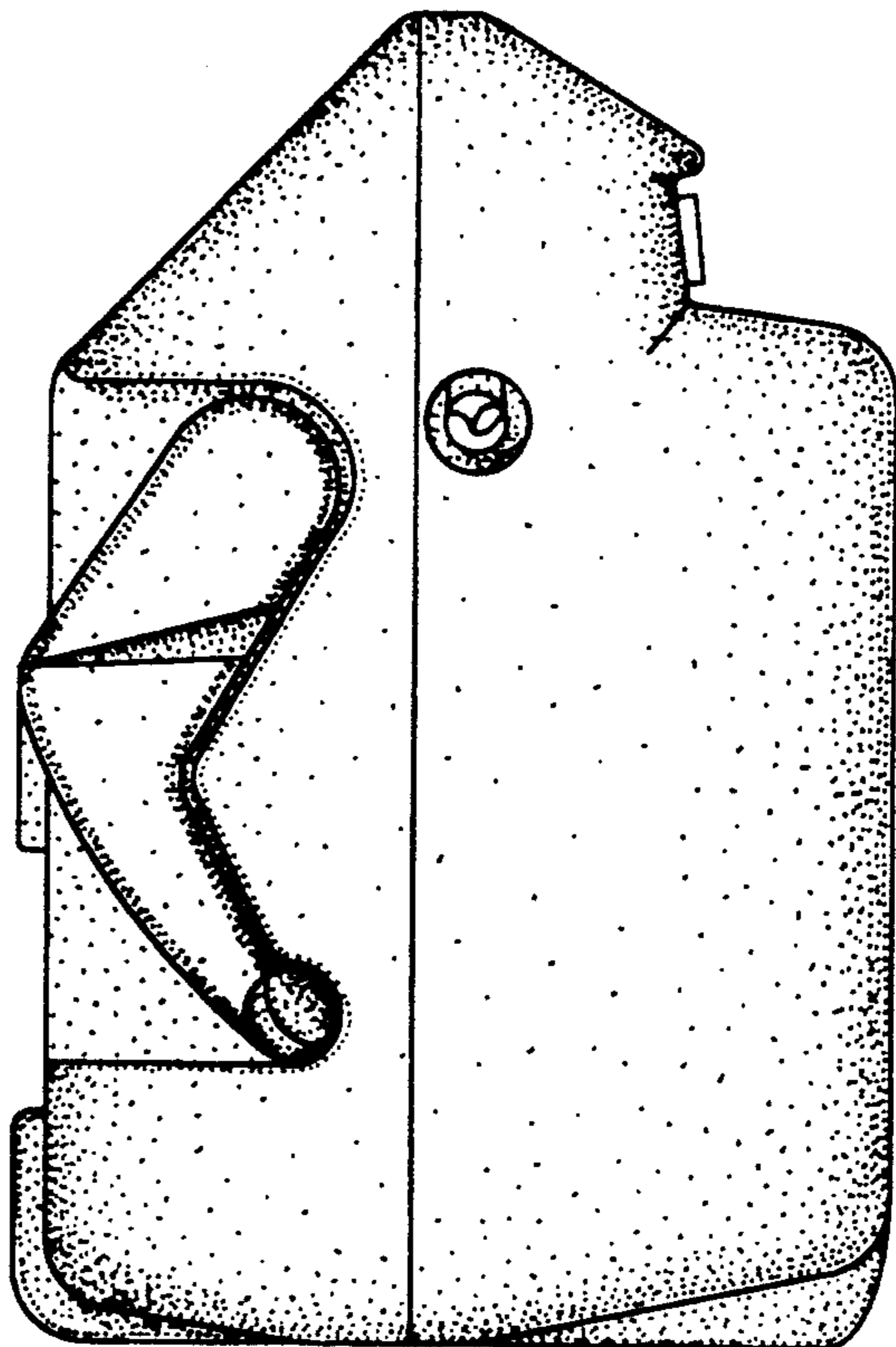


Fig. 5

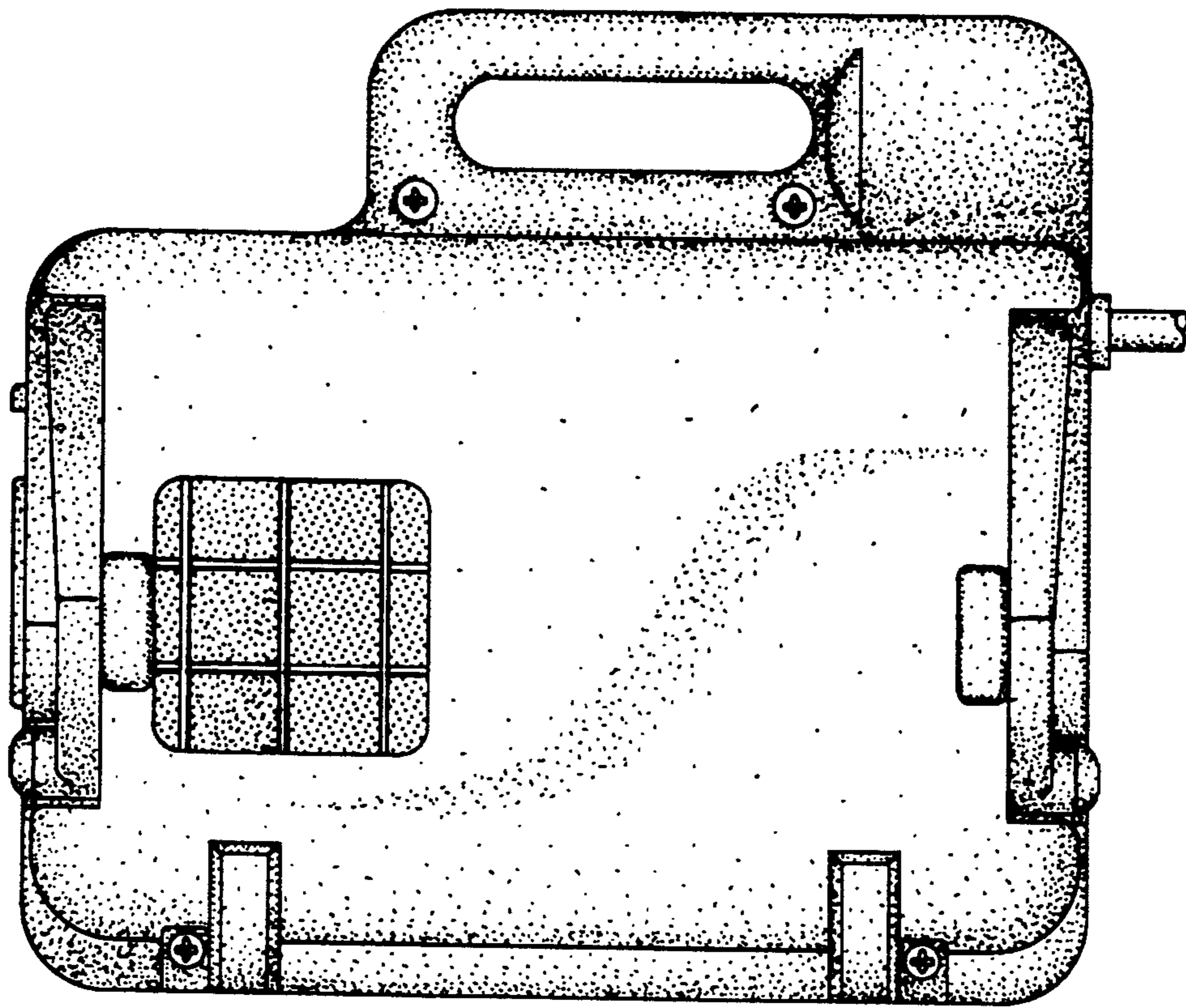


Fig. 6

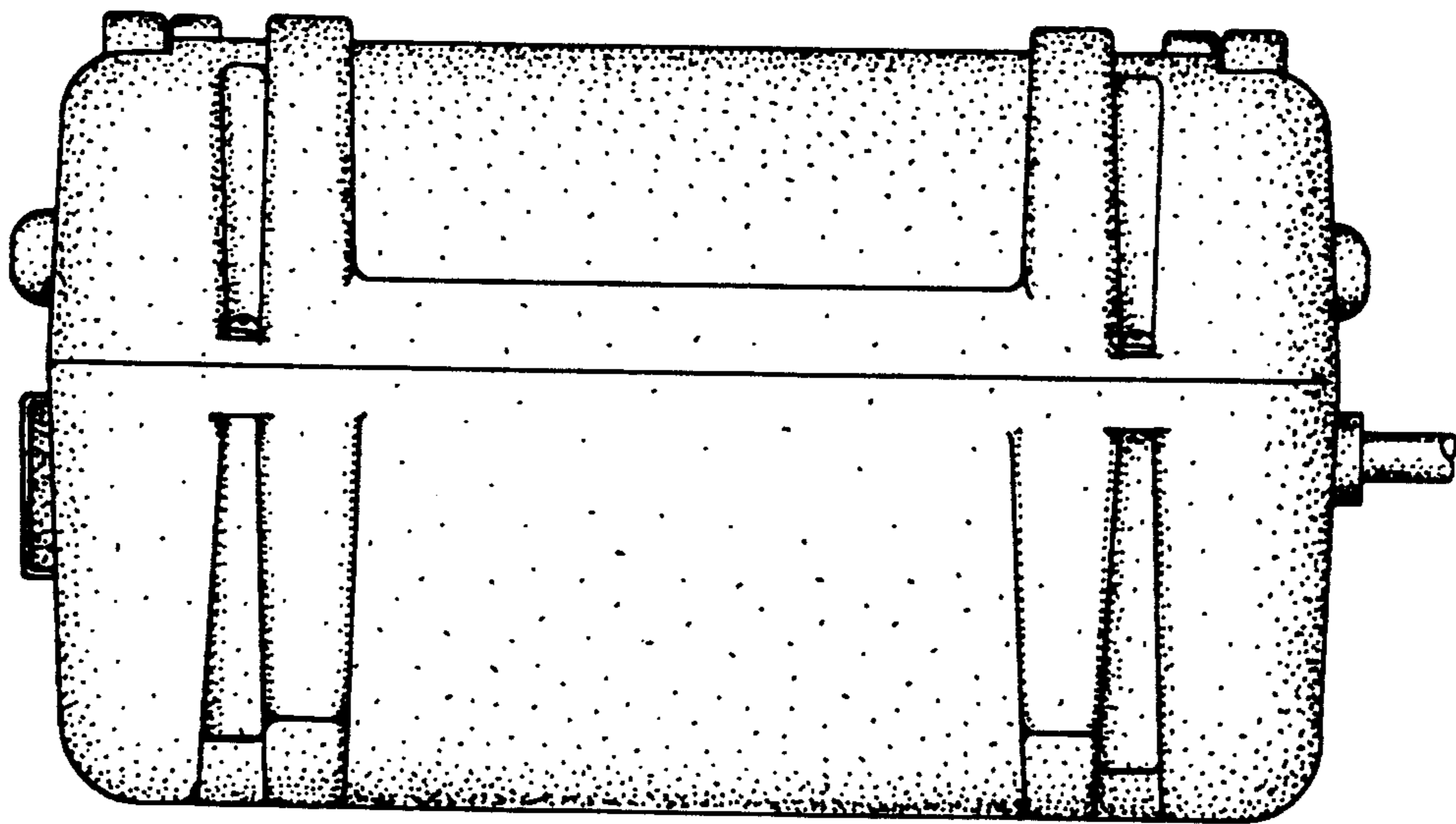


Fig. 7