



US00D344734S

# United States Patent [19]

Tokiyama et al.

[11] Patent Number: **Des. 344,734**

[45] Date of Patent: **\*\* Mar. 1, 1994**

[54] **FRONT PANEL FOR A TWO WAY MOBILE RADIO**

D. 329,849 9/1992 Tokiyama et al. .... D14/137  
4,310,923 1/1982 Kennedy ..... 455/89 X

[75] Inventors: **Mas Tokiyama**, Coral Springs, Fla.;  
**Manabu Sasaki**, Kawasaki, Japan

*Primary Examiner*—Theodore M. Shooman  
*Attorney, Agent, or Firm*—Pablo Meles; Lesley Ann Rhyne

[73] Assignee: **Motorola, Inc.**, Schaumburg, Ill.

[\*\*] Term: **14 Years**

[57] **CLAIM**

[21] Appl. No.: **722,629**

The ornamental design for a front panel for a two way mobile radio, as shown and described.

[22] Filed: **Jun. 27, 1991**

**DESCRIPTION**

[52] U.S. Cl. .... **D14/257; D14/137**

[58] Field of Search ..... 455/73, 89, 90, 92,  
455/100, 128, 345, 346; D14/124, 137, 138, 155,  
159, 257, 258, 299

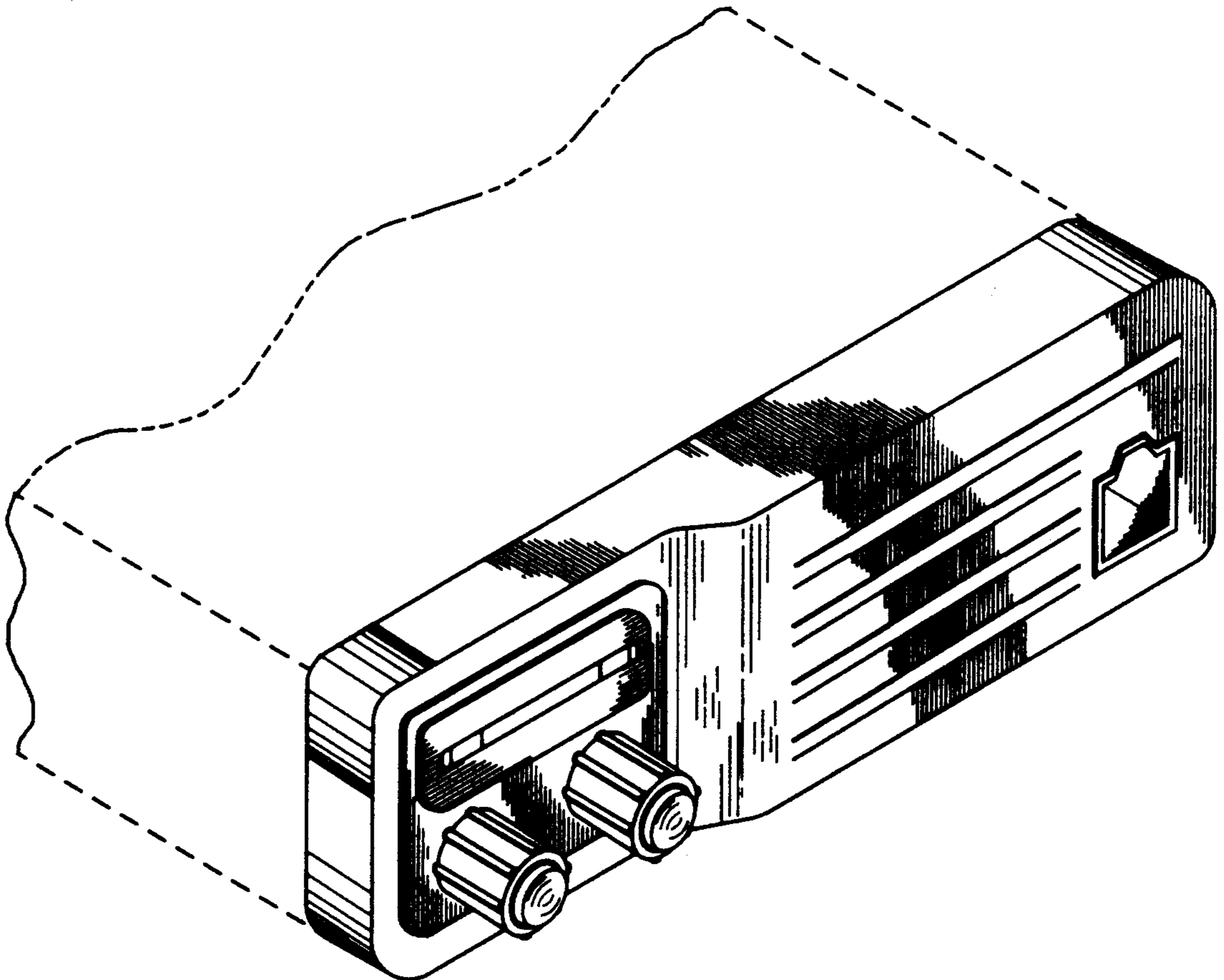
FIG. 1 is a front elevational view of a front panel for a two way mobile radio, showing our new design; FIG. 2 is a top plan view; FIG. 3 is a bottom plan view; FIG. 4 is a left side elevational view; FIG. 5 is a right side elevational view; and, FIG. 6 is a front, top, and left side perspective view of a mobile radio or similar article showing our new design.

[56] **References Cited**

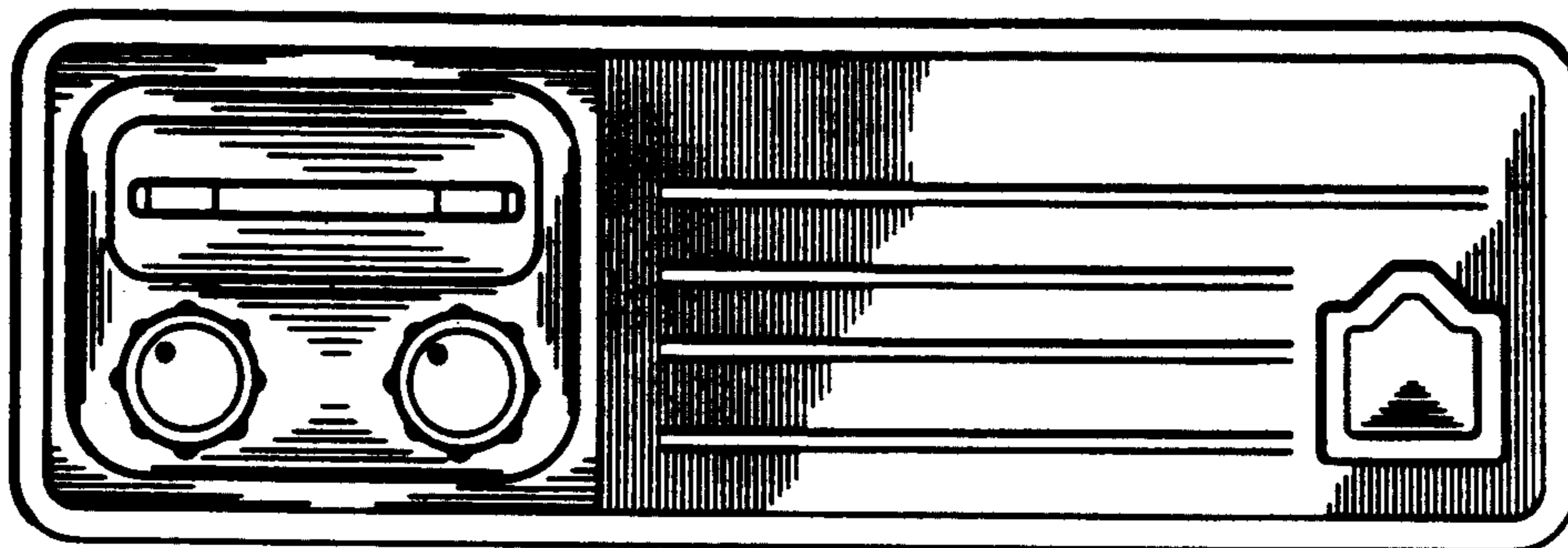
**U.S. PATENT DOCUMENTS**

- D. 300,634 4/1989 Dickson ..... D14/257
- D. 307,906 5/1990 Beaumont .
- D. 308,057 5/1990 Tokiyama .
- D. 311,403 10/1990 Culbertson ..... D14/137 X
- D. 313,998 1/1991 Dickson ..... D14/137 X

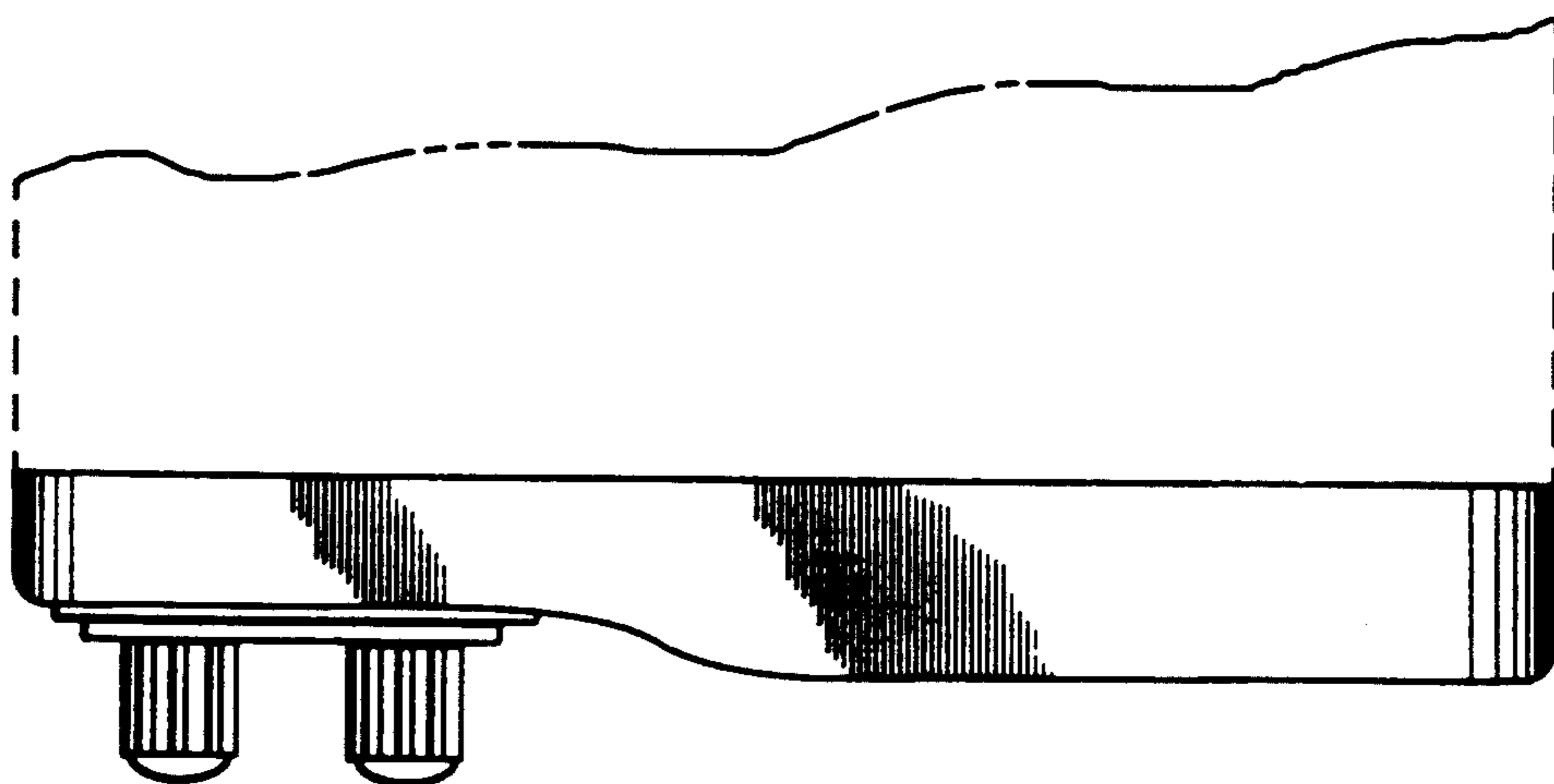
The broken line showing of the two-way mobile housing is for illustrative purposes only and forms no part of the claimed design.



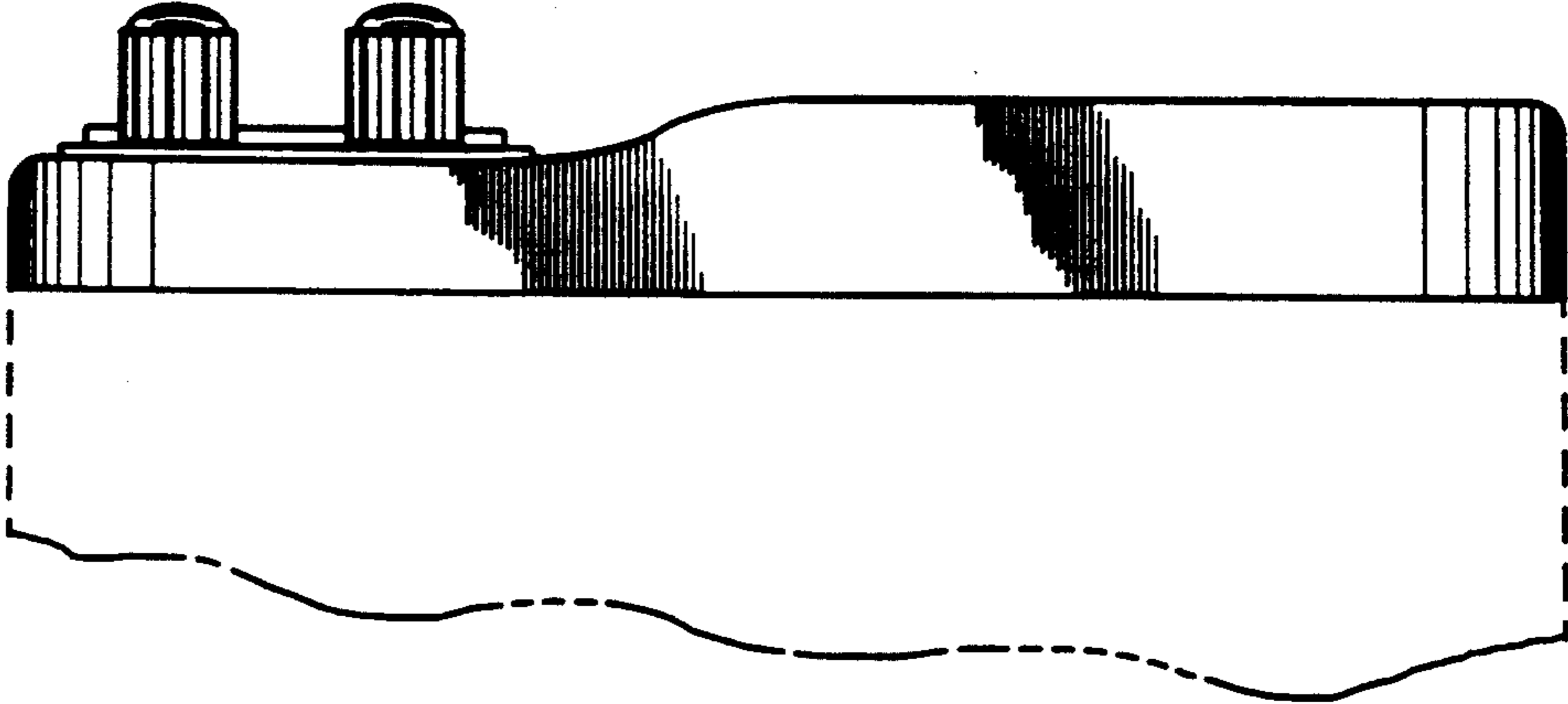
*FIG. 1*



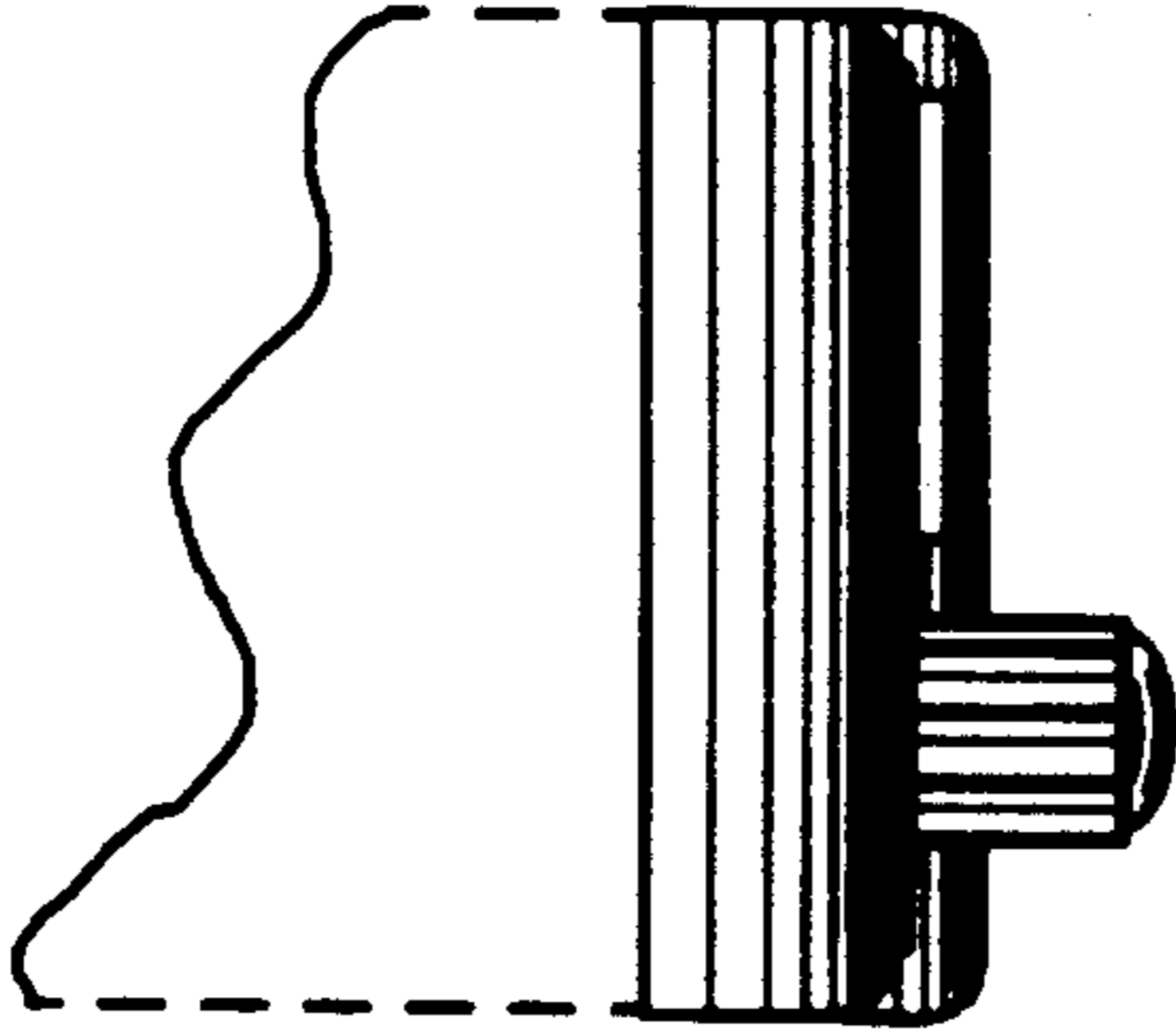
*FIG. 2*



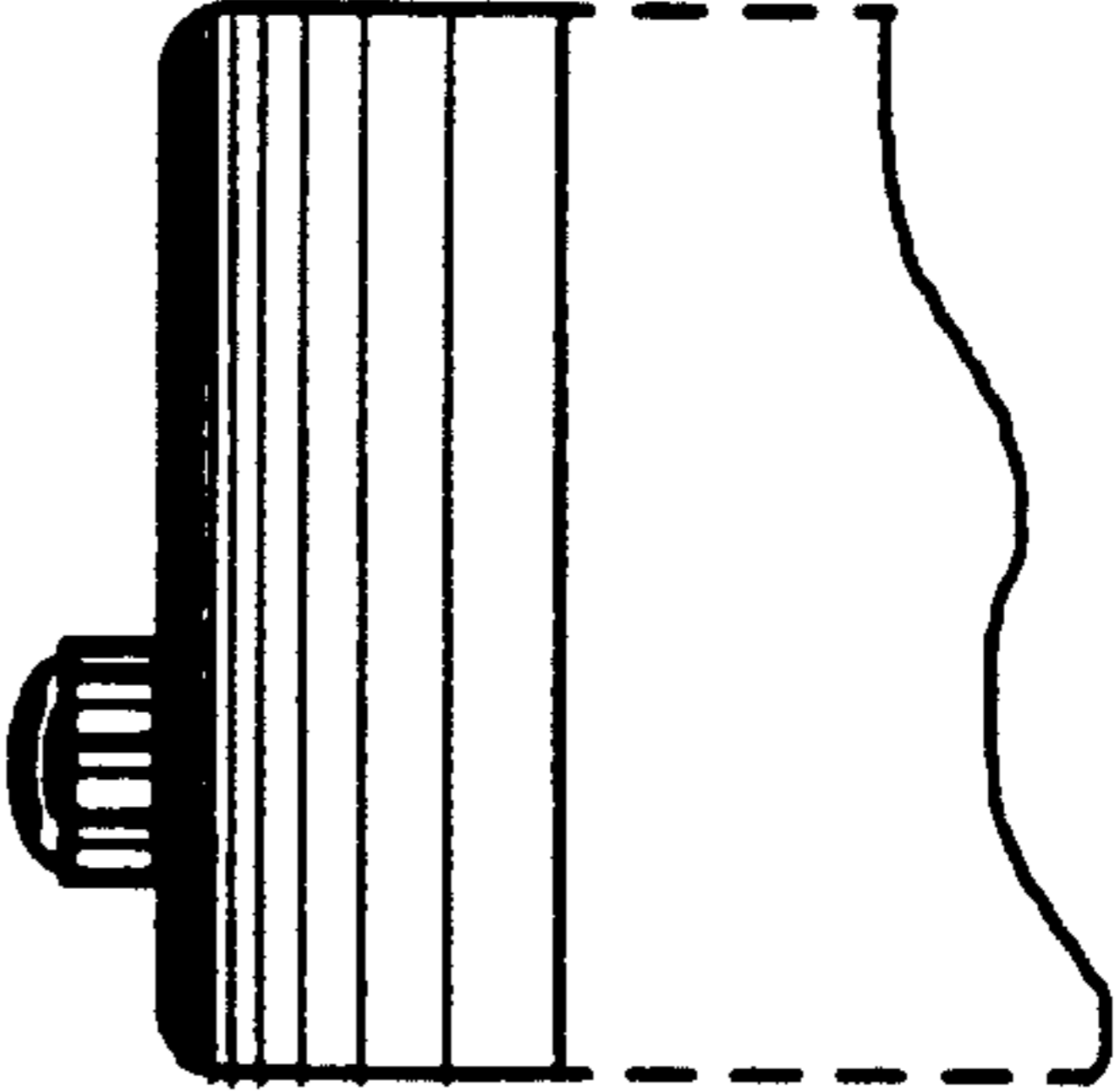
*FIG. 3*



*FIG. 4*



*FIG. 5*



*FIG. 6*

