



US00D344729S

# United States Patent [19] Mueller

[11] Patent Number: **Des. 344,729**

[45] Date of Patent: **\*\* Mar. 1, 1994**

[54] **PORTABLE RADIO WITH VISIBLE CIRCUIT BOARD**

[76] Inventor: **Leigh Mueller**, P.O. Box 1401, Fayetteville, Ark. 72702-1401

[\*\*] Term: **14 Years**

[21] Appl. No.: **1,727**

[22] Filed: **Nov. 23, 1992**

[52] U.S. Cl. .... **D14/194; D14/198**

[58] Field of Search ..... **312/7.1; 455/344, 347, 455/350, 351; D14/188, 194, 195, 197, 198**

[56] **References Cited**

**U.S. PATENT DOCUMENTS**

D. 220,544	4/1971	Unger	.....	D14/188
D. 228,662	10/1973	Sakuma	.....	D14/165
D. 301,846	6/1989	Beyer	.....	D14/195
D. 313,019	12/1990	Azuolos	.....	D14/188

**OTHER PUBLICATIONS**

Home Furnishings Daily; Jun. 6, 1988; p. 136; radio (top center).

Home Furnishings Daily; Jun. 6, 1988; p. 106; radio (upper left).

Radio Shack Catalog, pp. 74-77, ©1991, Radio Shack, a division of Tandy Corporation, Fort Worth, Tex., Printed in U.S.A.

*Primary Examiner*—B. J. Bullock

*Attorney, Agent, or Firm*—Robert R. Keegan

[57] **CLAIM**

The ornamental design for a portable radio with visible circuit board, as shown.

**DESCRIPTION**

FIG. 1 is a perspective view of a portable radio with visible circuit board incorporating my design;

FIG. 2 is a reduced front elevational view thereof;

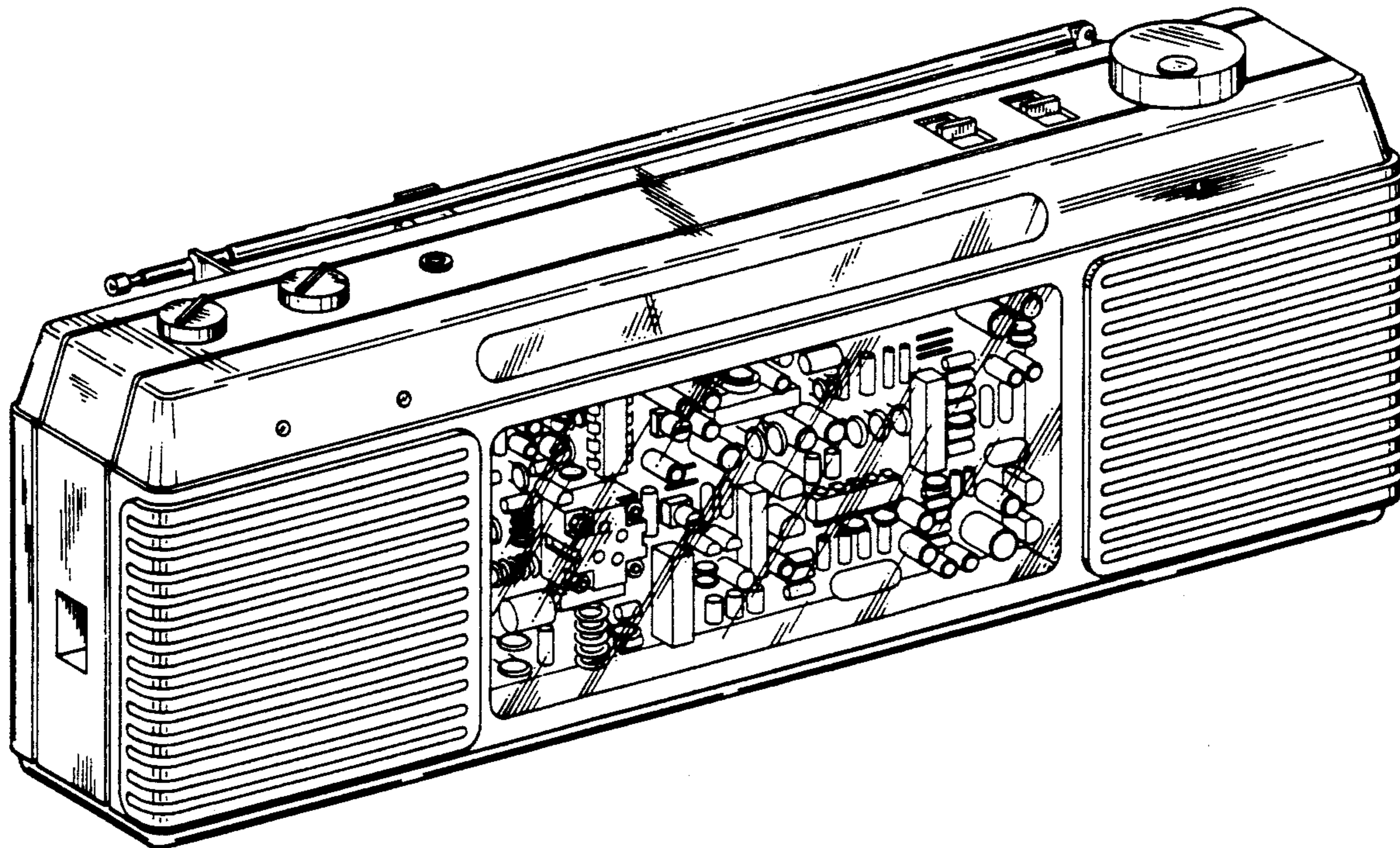
FIG. 3 is a reduced top plan view thereof;

FIG. 4 is a reduced right side elevational view thereof;

FIG. 5 is a reduced left side elevational view thereof;

FIG. 6 is a reduced rear elevational view thereof; and,

FIG. 7 is a reduced bottom plan view thereof.





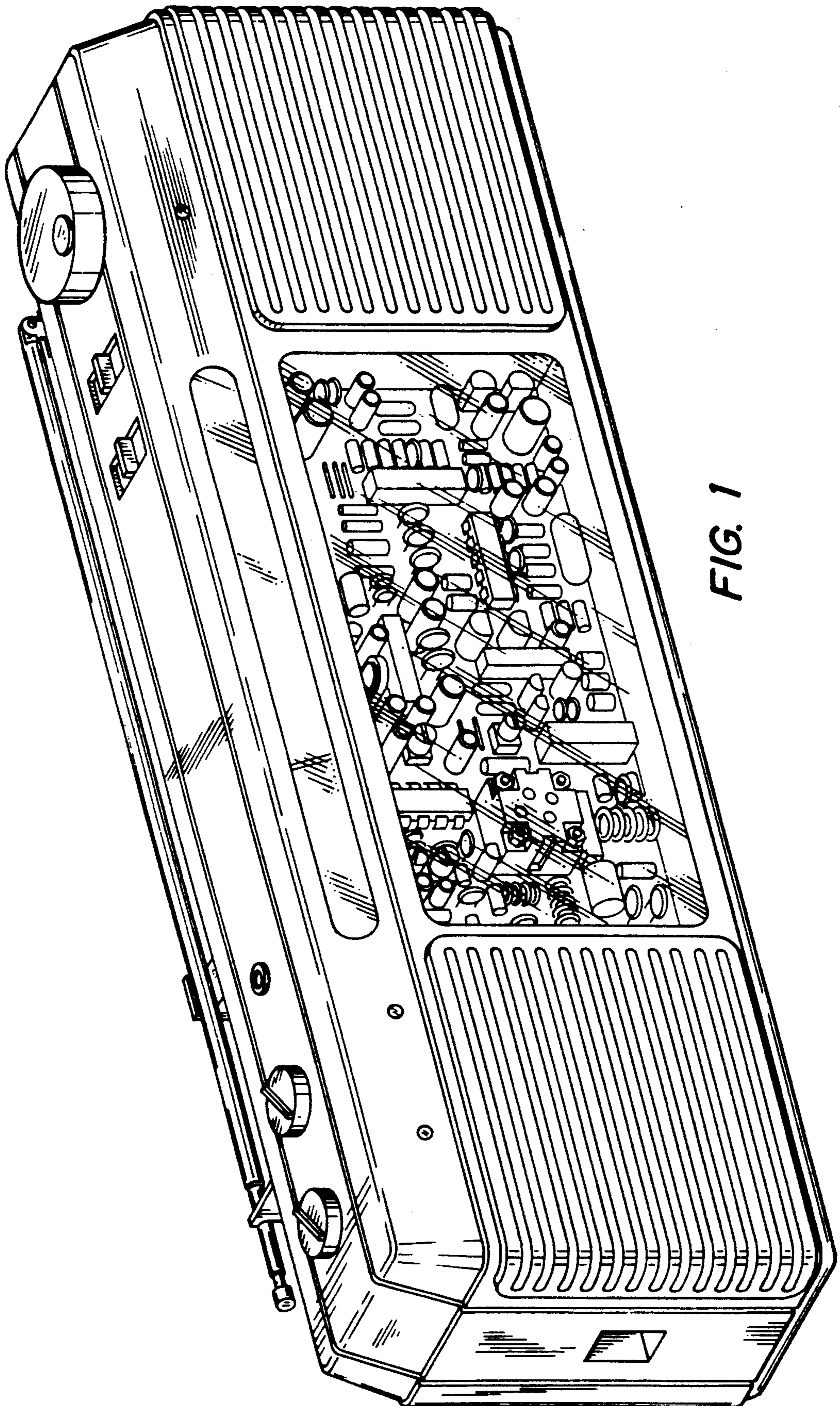


FIG. 1

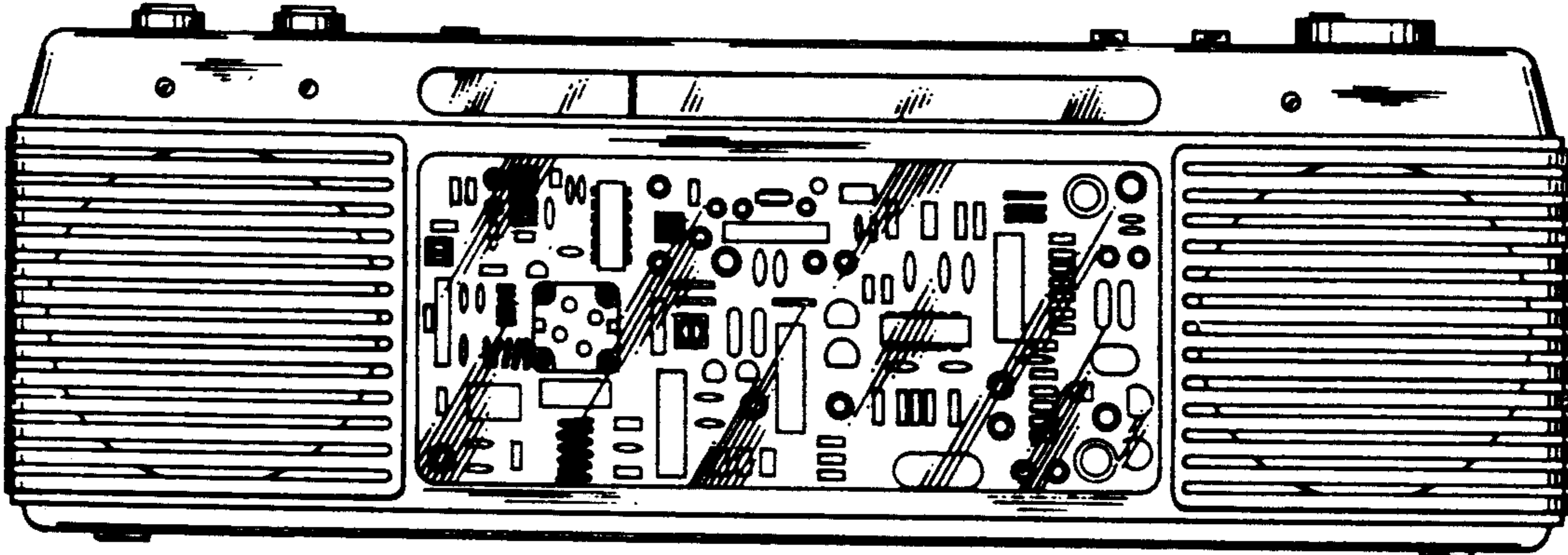


FIG. 2

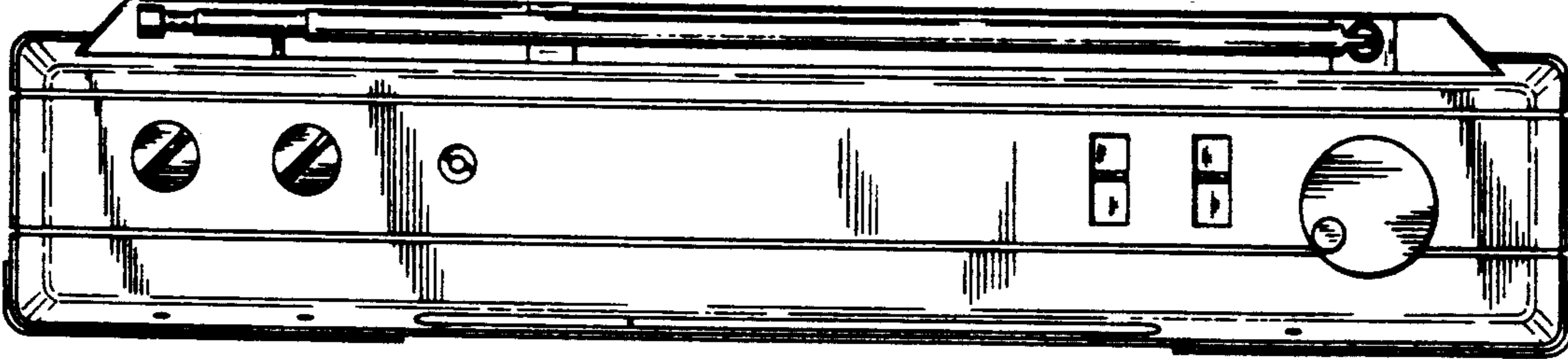


FIG. 3

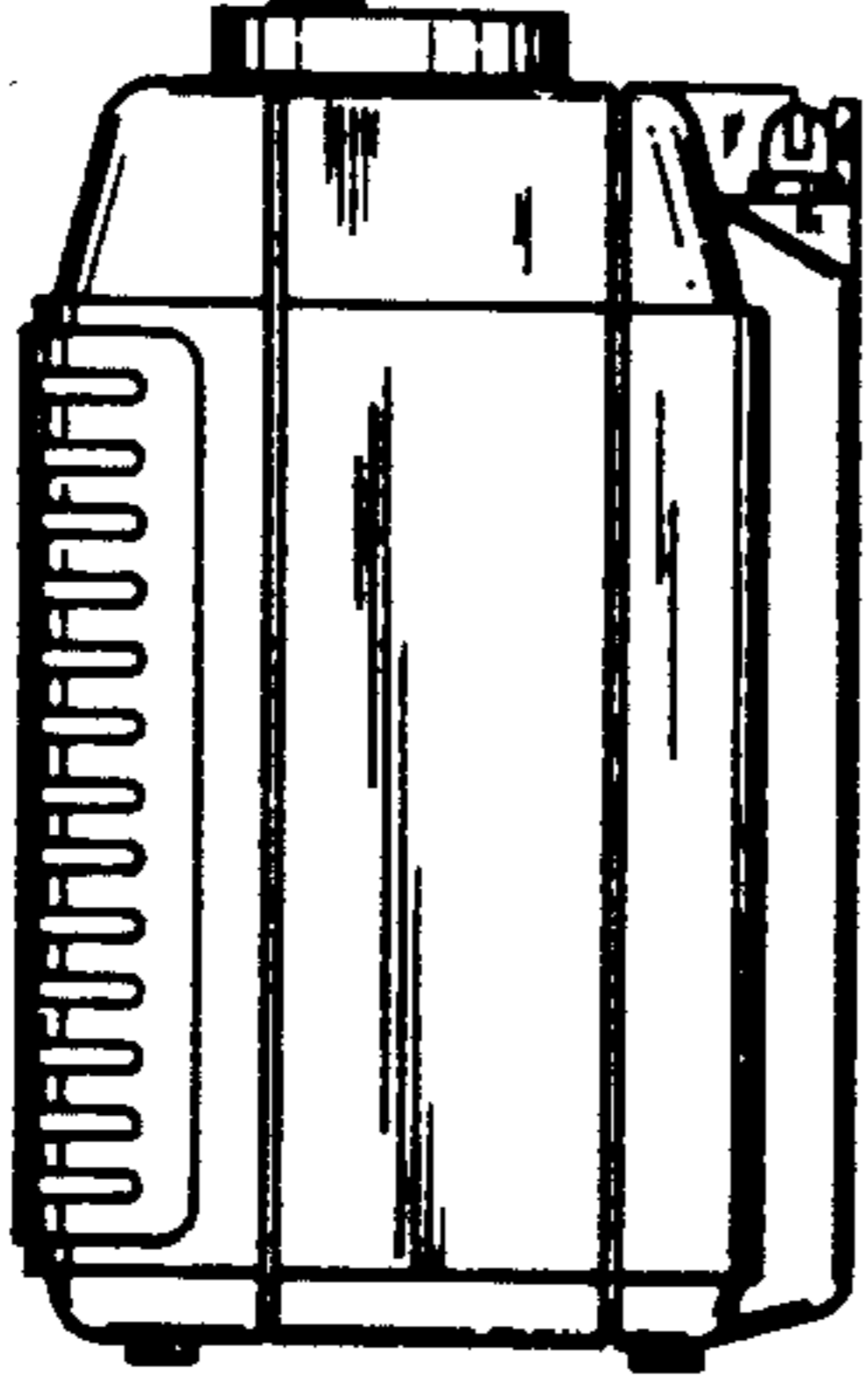


FIG. 4

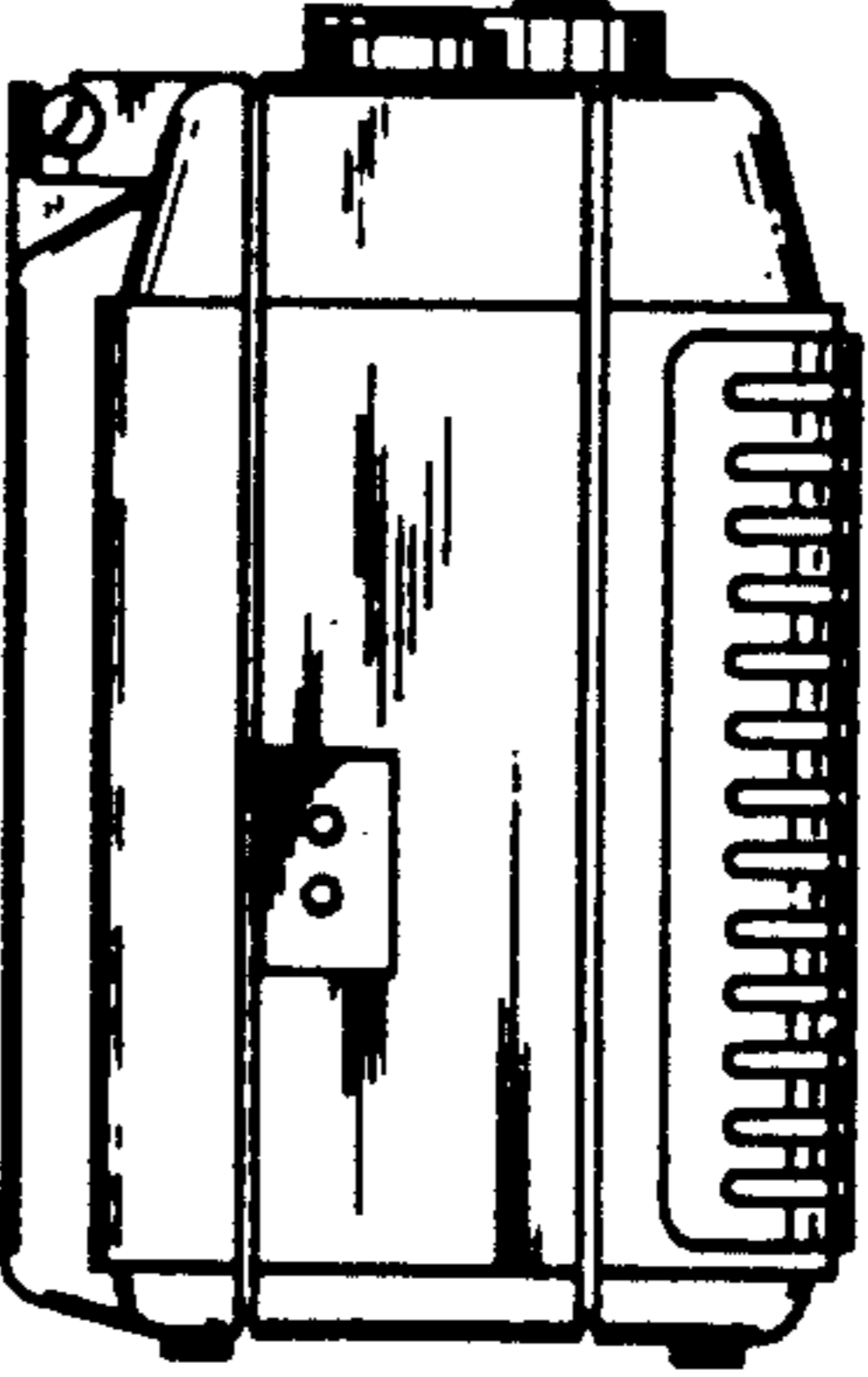


FIG. 5

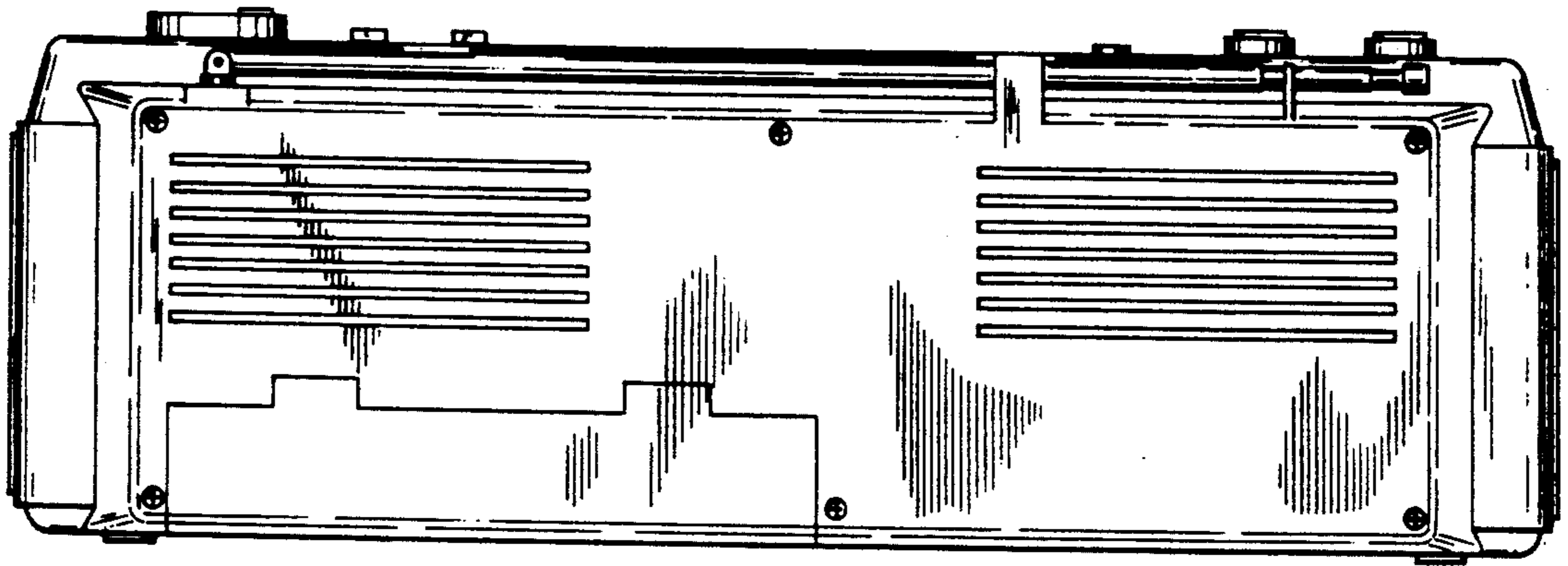


FIG. 6

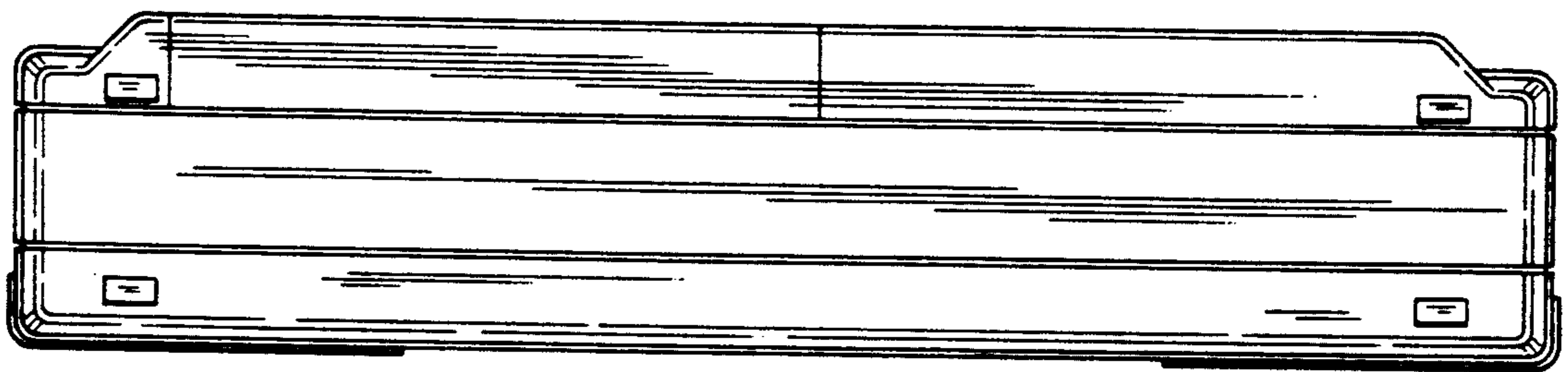


FIG. 7