



US00D344715S

United States Patent [19]

[11] Patent Number: Des. 344,715

Hsiao et al.

[45] Date of Patent: ** Mar. 1, 1994

[54] HOUSING FOR AN ELECTRONIC CONTROLLER AND SOLID STATE CONTACTOR

[75] Inventors: Kevin Hsiao, Chung-Ho; Recharh Yang, Keelung, both of Taiwan

[73] Assignee: Lei Chu Enterprises Co., Inc., Taipei, Taiwan

[**] Term: 14 Years

[21] Appl. No.: 909,812

[22] Filed: Jul. 7, 1992

[52] U.S. Cl. D13/158

[58] Field of Search 307/139, 140; 361/392, 361/395; D13/158, 162

[56] **References Cited**

U.S. PATENT DOCUMENTS

D. 209,513	12/1967	Walters et al.	D13/158
D. 296,433	6/1988	Mizuno et al.	D13/158
D. 317,438	6/1991	Sako	D13/158
D. 321,169	10/1991	Bouteiller	D13/158

OTHER PUBLICATIONS

Terminal blocks on p. 26 of *Potter Blumfield* catalog 1985.

Primary Examiner—Wallace R. Burke

Assistant Examiner—J. Sincavage

Attorney, Agent, or Firm—Lovercheck and Lovercheck

[57] **CLAIM**

The ornamental design for an housing for an electronic controller and solid state contactor, as shown and described.

DESCRIPTION

FIG. 1 is a right-front perspective view of an housing for an electronic controller and solid state contactor in accordance with the invention;

FIG. 2 is a front elevational view thereof;

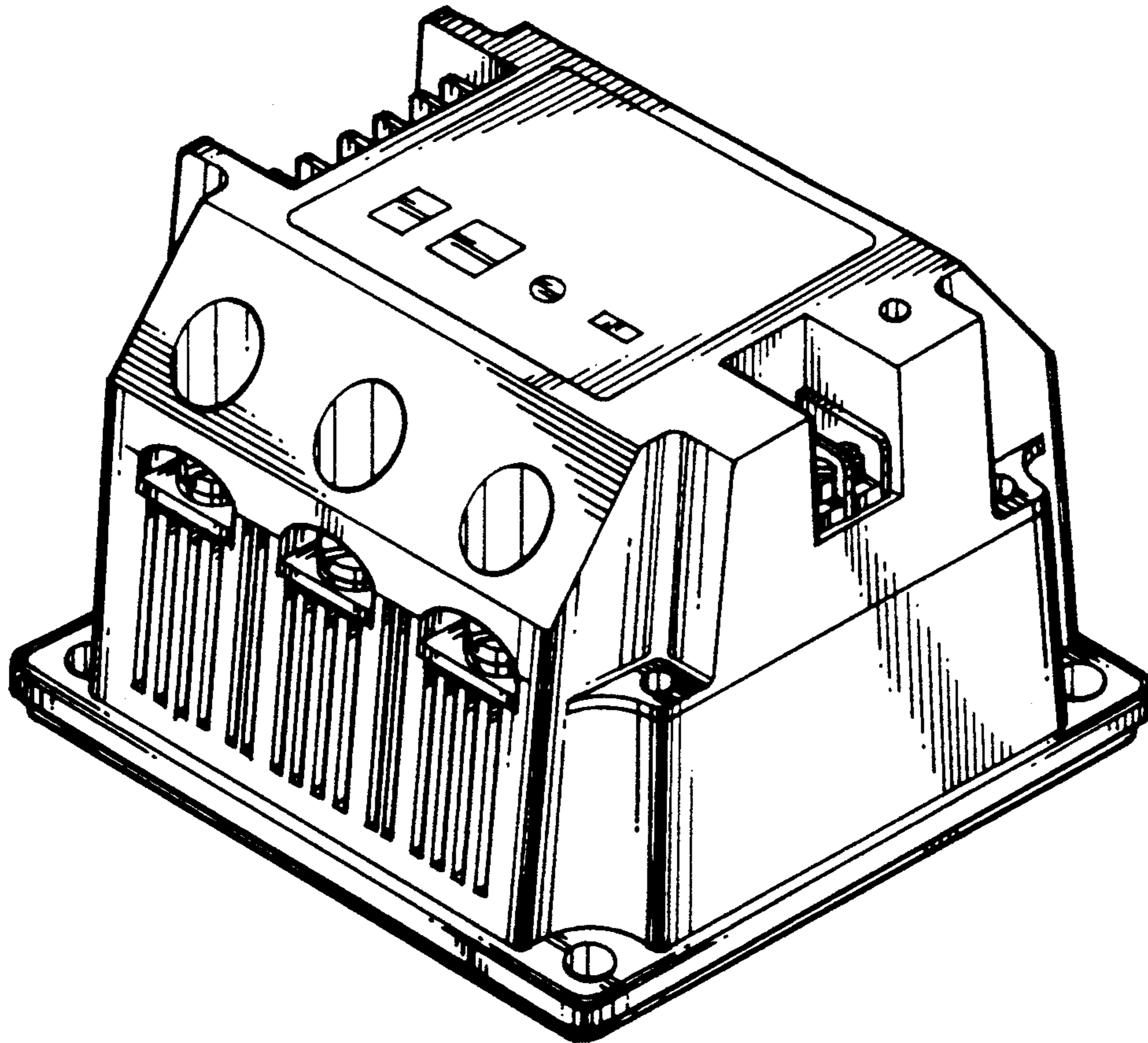
FIG. 3 is a rear elevational view thereof;

FIG. 4 is a top plane view thereof;

FIG. 5 is a bottom plane view thereof;

FIG. 6 is a left side elevational view thereof; and,

FIG. 7 is a right side elevational view thereof.



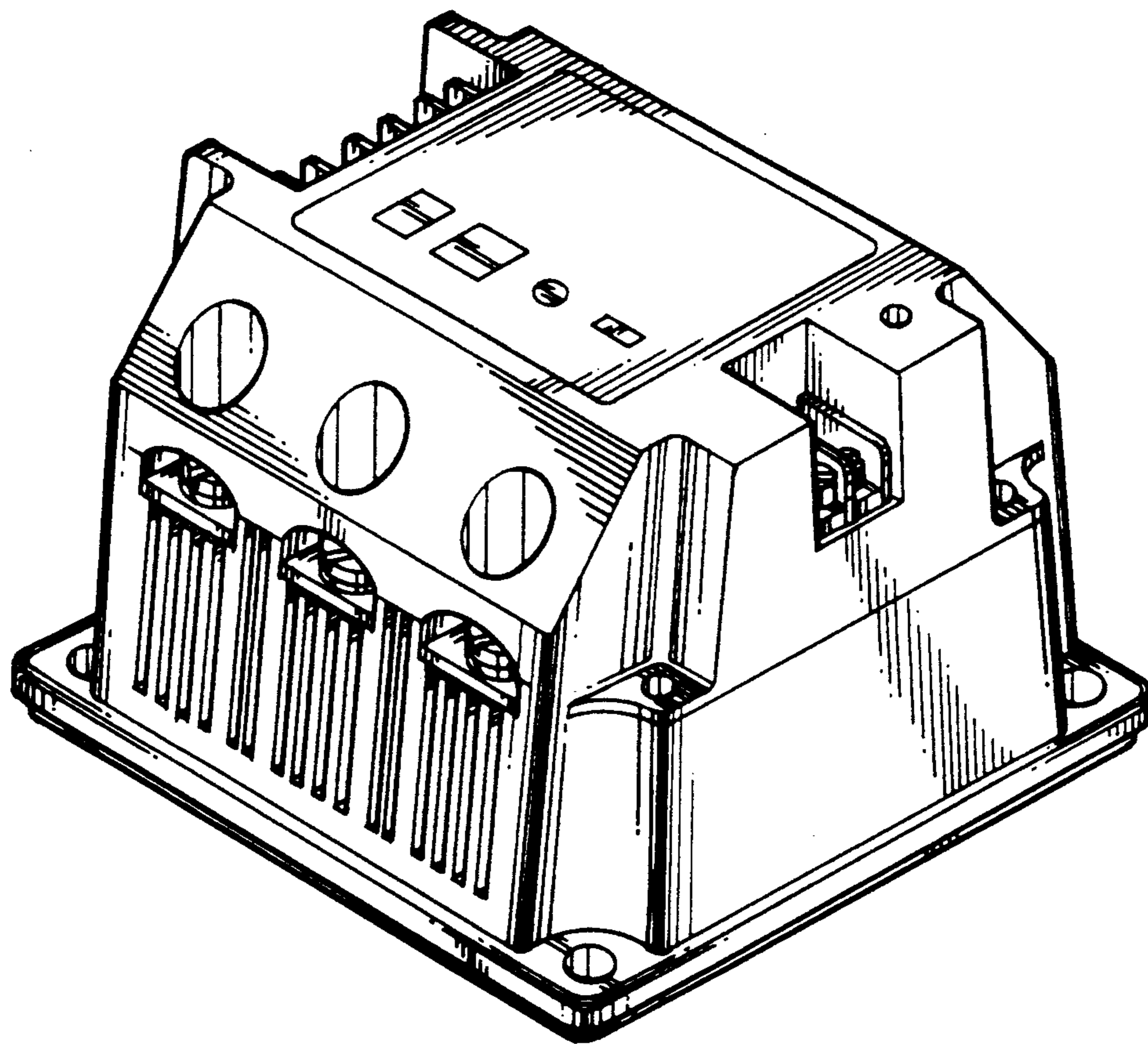


FIG. 1

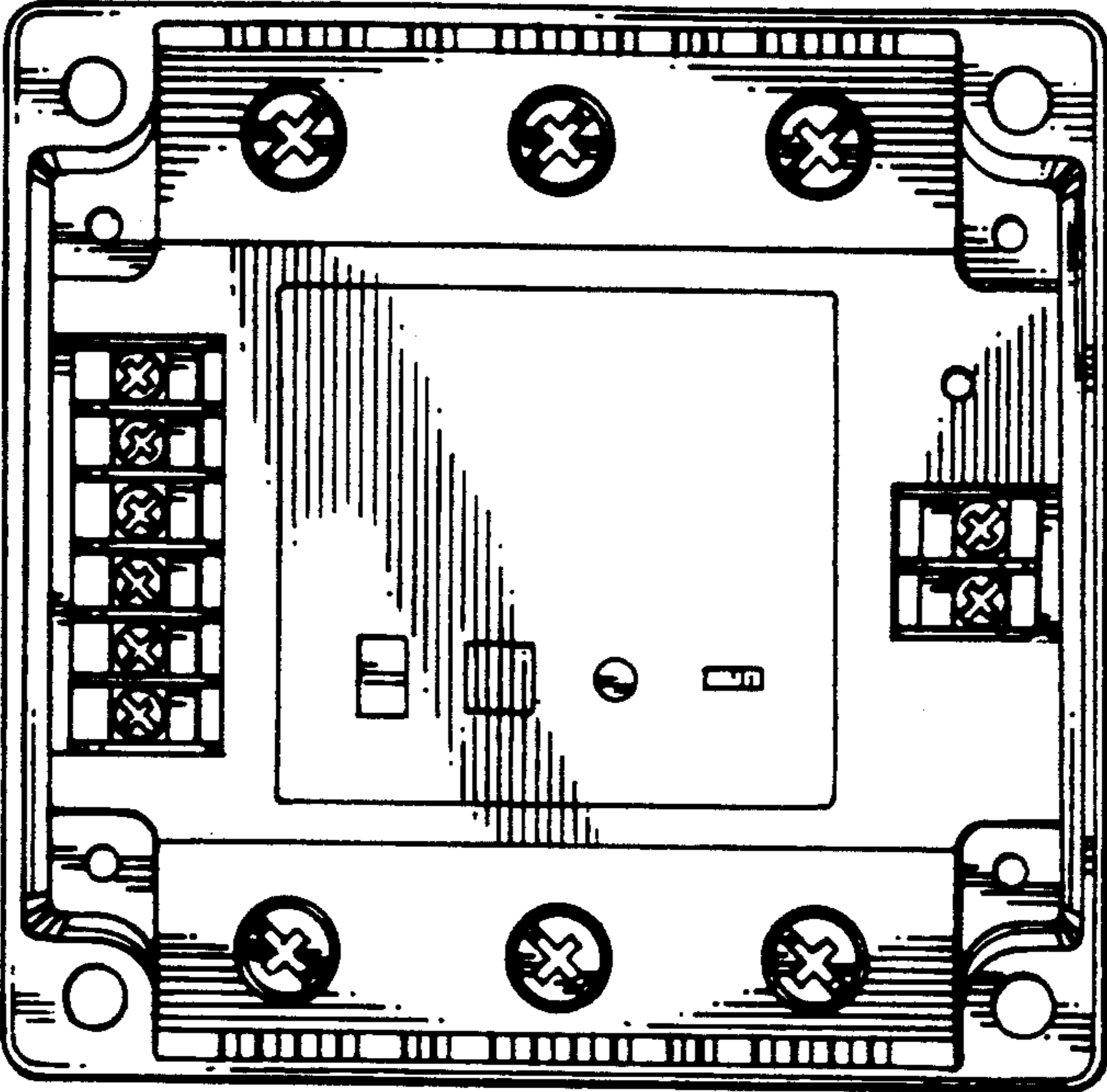


FIG. 2

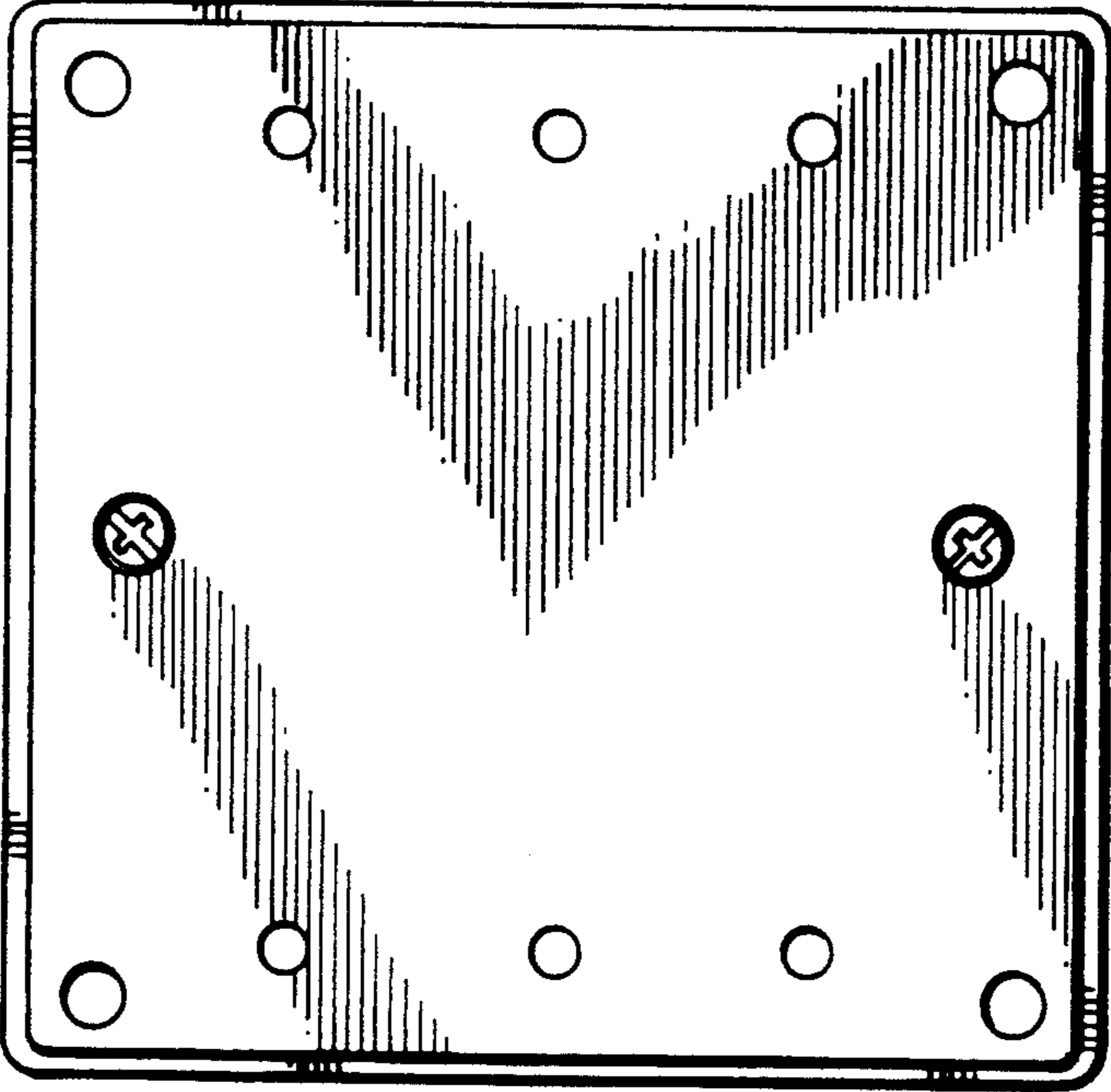


FIG. 3

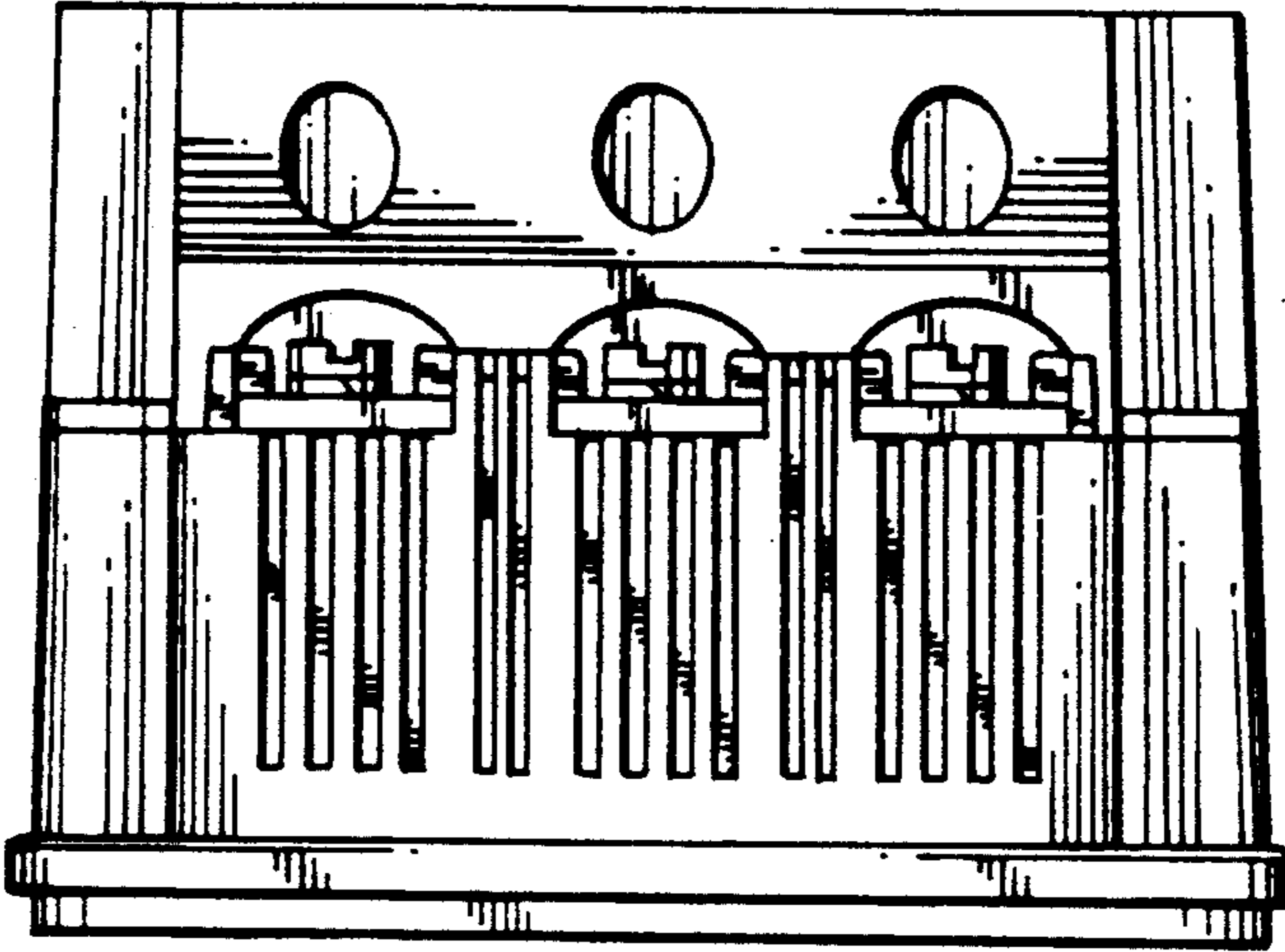


FIG. 4

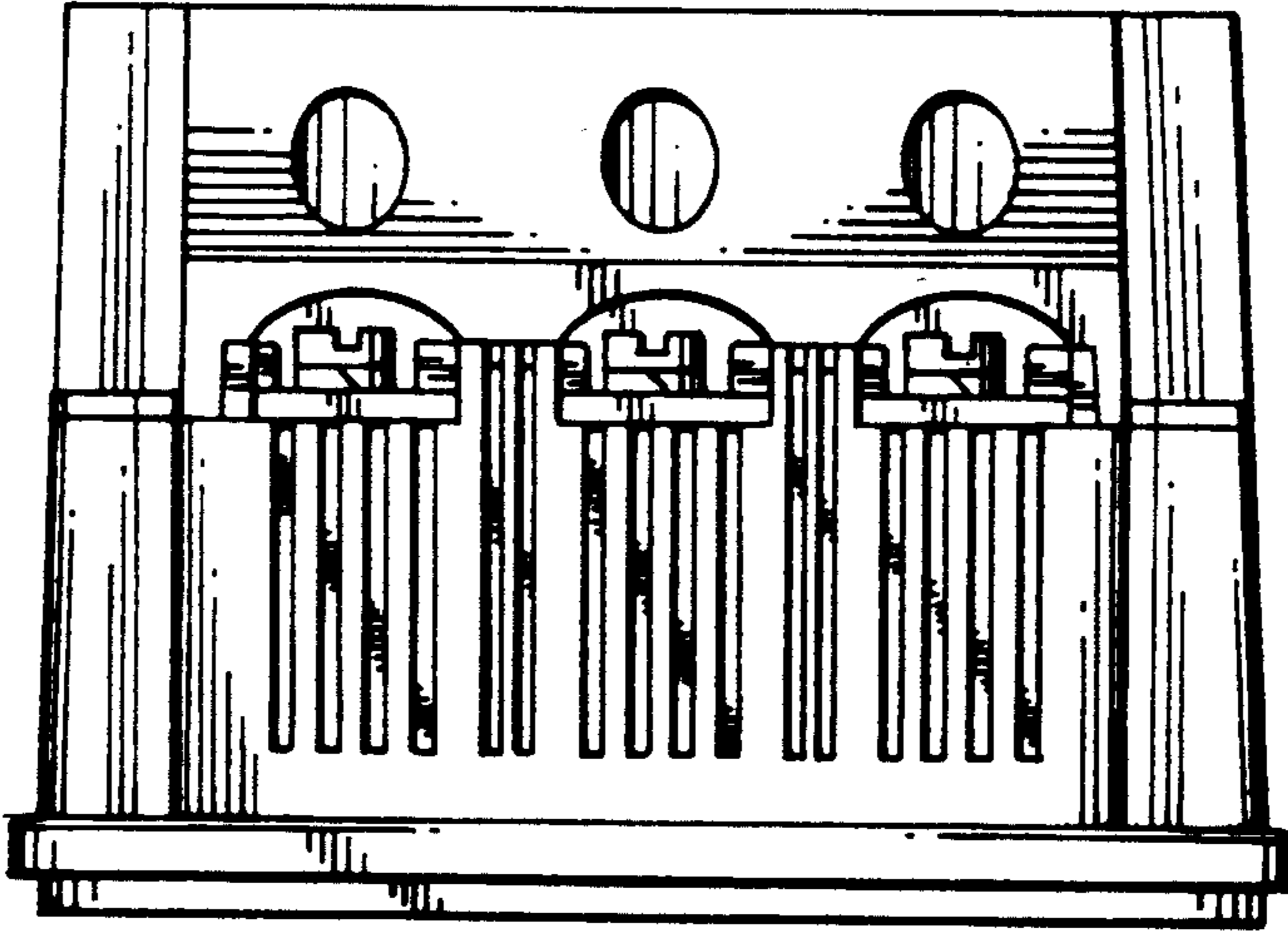


FIG. 5

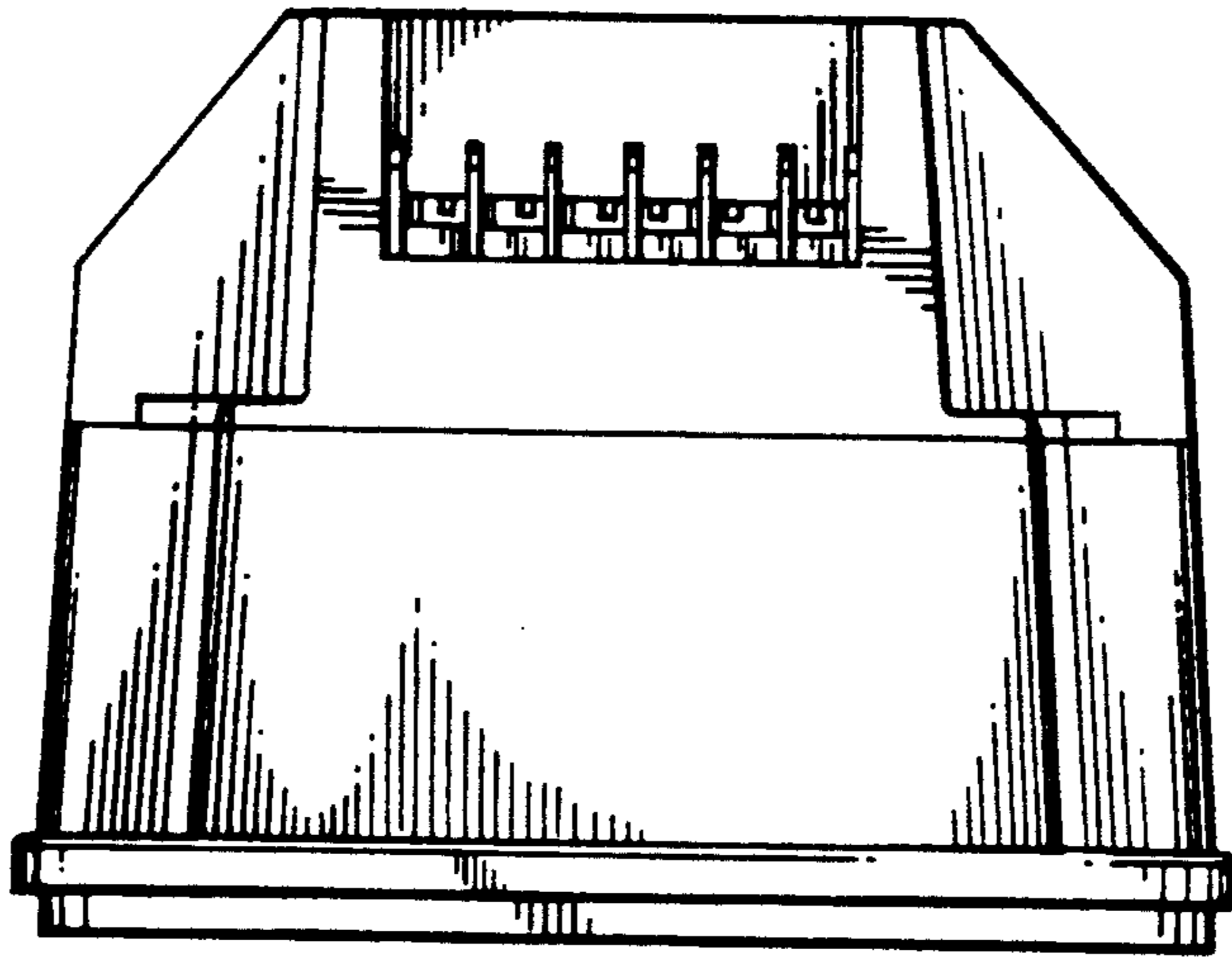


FIG. 6

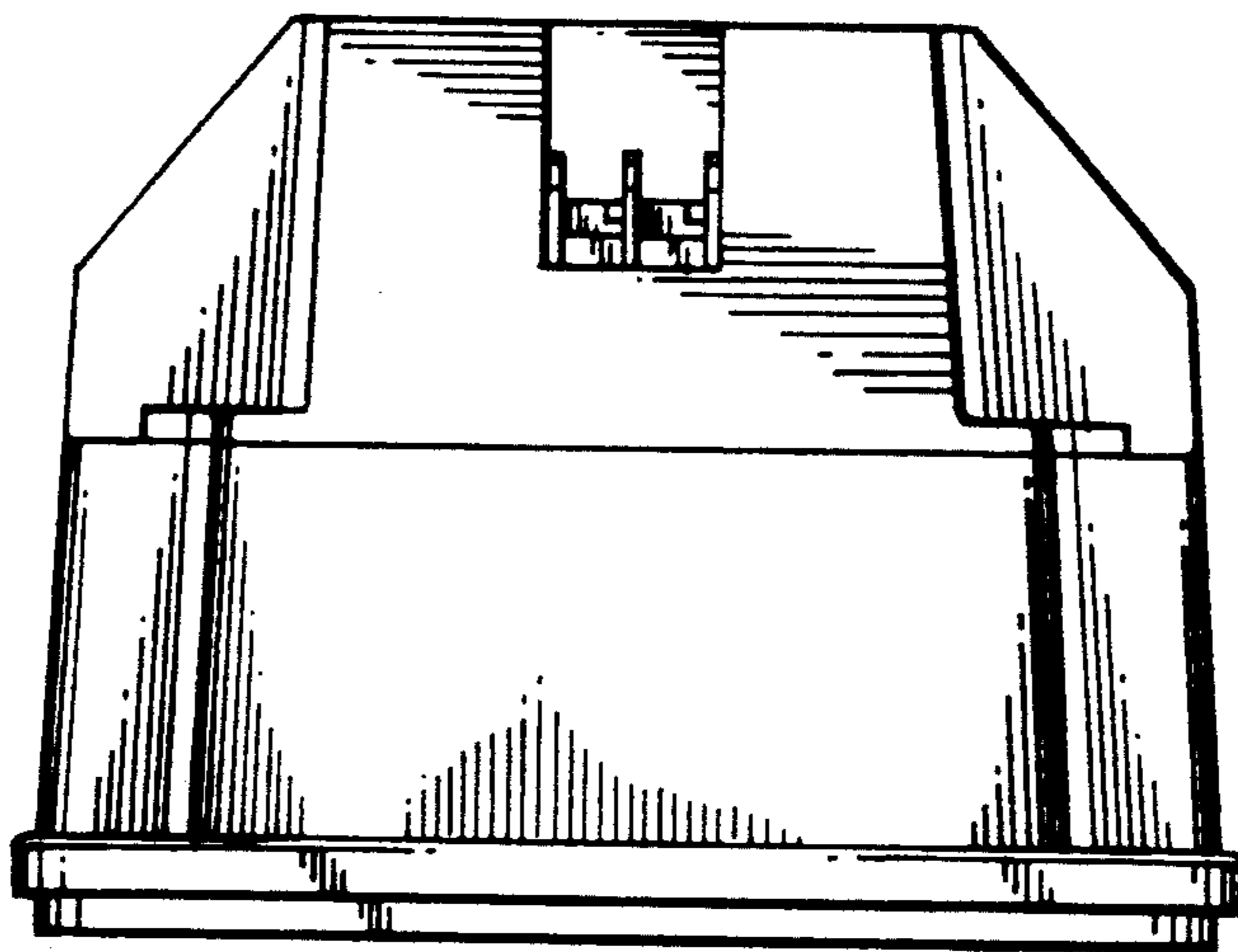


FIG. 7