



US00D344702S

United States Patent [19]

[11] Patent Number: **Des. 344,702**

Robertson et al.

[45] Date of Patent: **** Mar. 1, 1994**

[54] **MODULAR WHEELCHAIR FRAME**

4,652,005 3/1987 Hartwell 280/250.1

[75] Inventors: **A. Scott Robertson; Richard T. Geiger**, both of Santa Cruz, Calif.

Primary Examiner—Kay H. Chin
Attorney, Agent, or Firm—Burns, Doane, Swecker & Mathis

[73] Assignee: **Medical Composite Technology, Inc.**, Soquel, Calif.

[57] **CLAIM**

[**] Term: **14 Years**

The ornamental design for a modular wheelchair frame, as shown and described.

[21] Appl. No.: **976**

DESCRIPTION

[22] Filed: **Oct. 30, 1992**

FIG. 1 is a front perspective view of a modular wheelchair frame showing our new design, the broken line illustration of wheels is for illustrative purposes only; FIG. 2 is a right side elevational view thereof, the left side elevational view being a mirror image of that shown;

[52] U.S. Cl. **D12/133; D12/131**

[58] Field of Search 280/250.1, 304.1, 242.1; 297/DIG. 4; 180/907; D12/128, 131, 133

FIG. 3 is a top plan view thereof with cushion removed;

FIG. 4 is a front elevational view of FIG. 3;

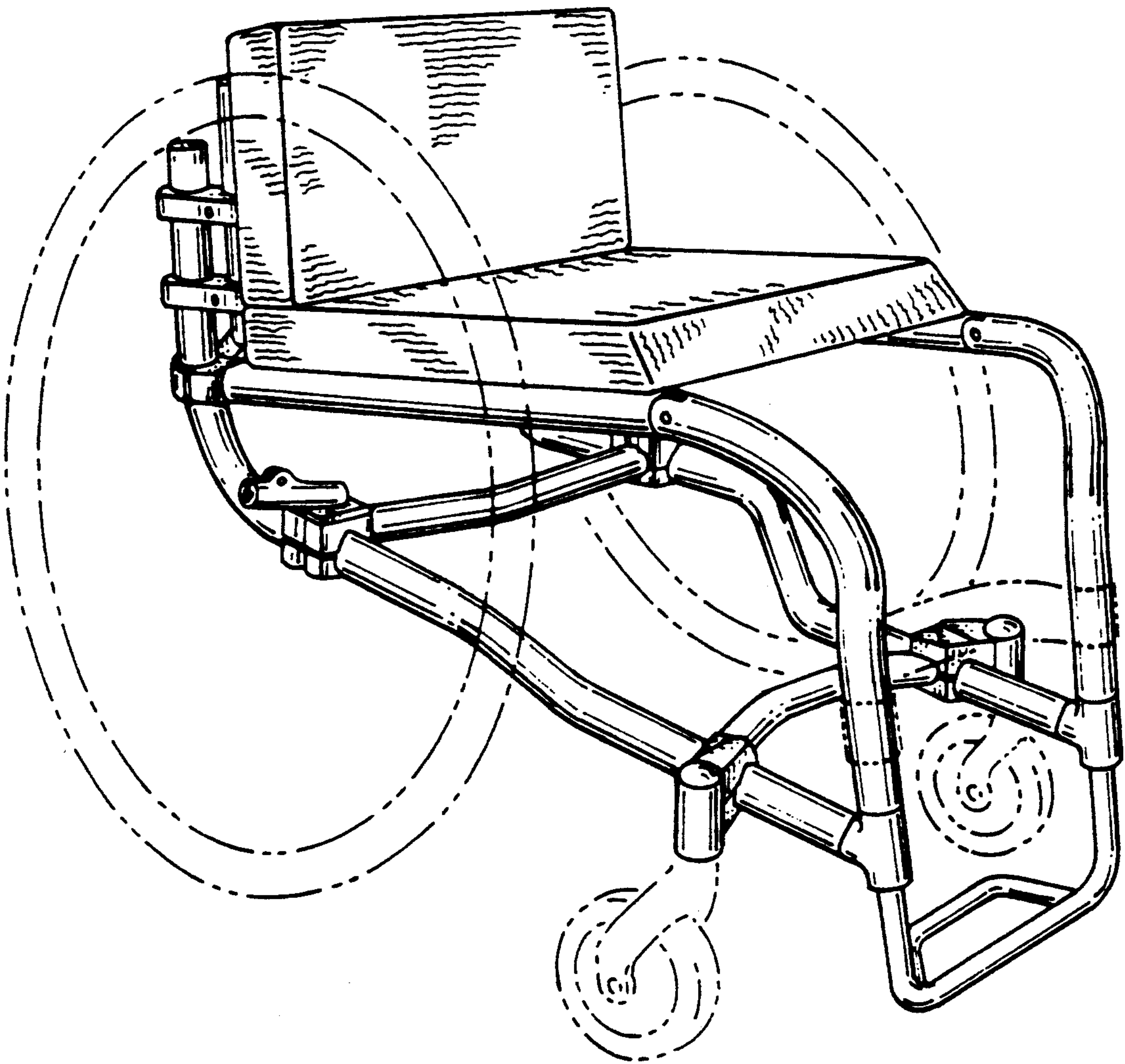
FIG. 5 is a rear elevational view of FIG. 3; and,

FIG. 6 is a bottom plan view of FIG. 3.

[56] **References Cited**

U.S. PATENT DOCUMENTS

- D. 278,217 4/1985 Nassiri D12/131
- D. 306,712 3/1990 Friedrich D12/133



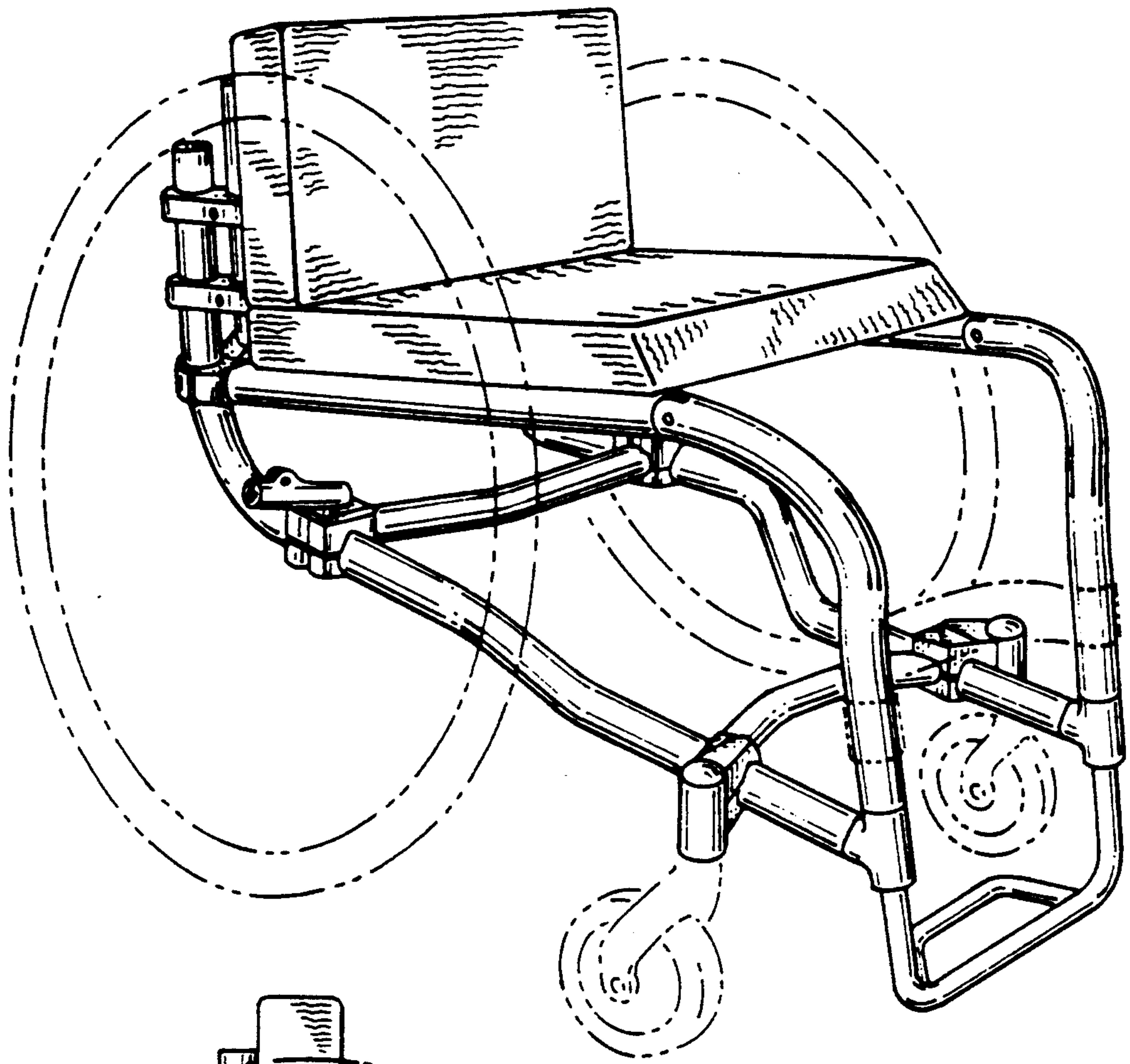


FIG. 1.

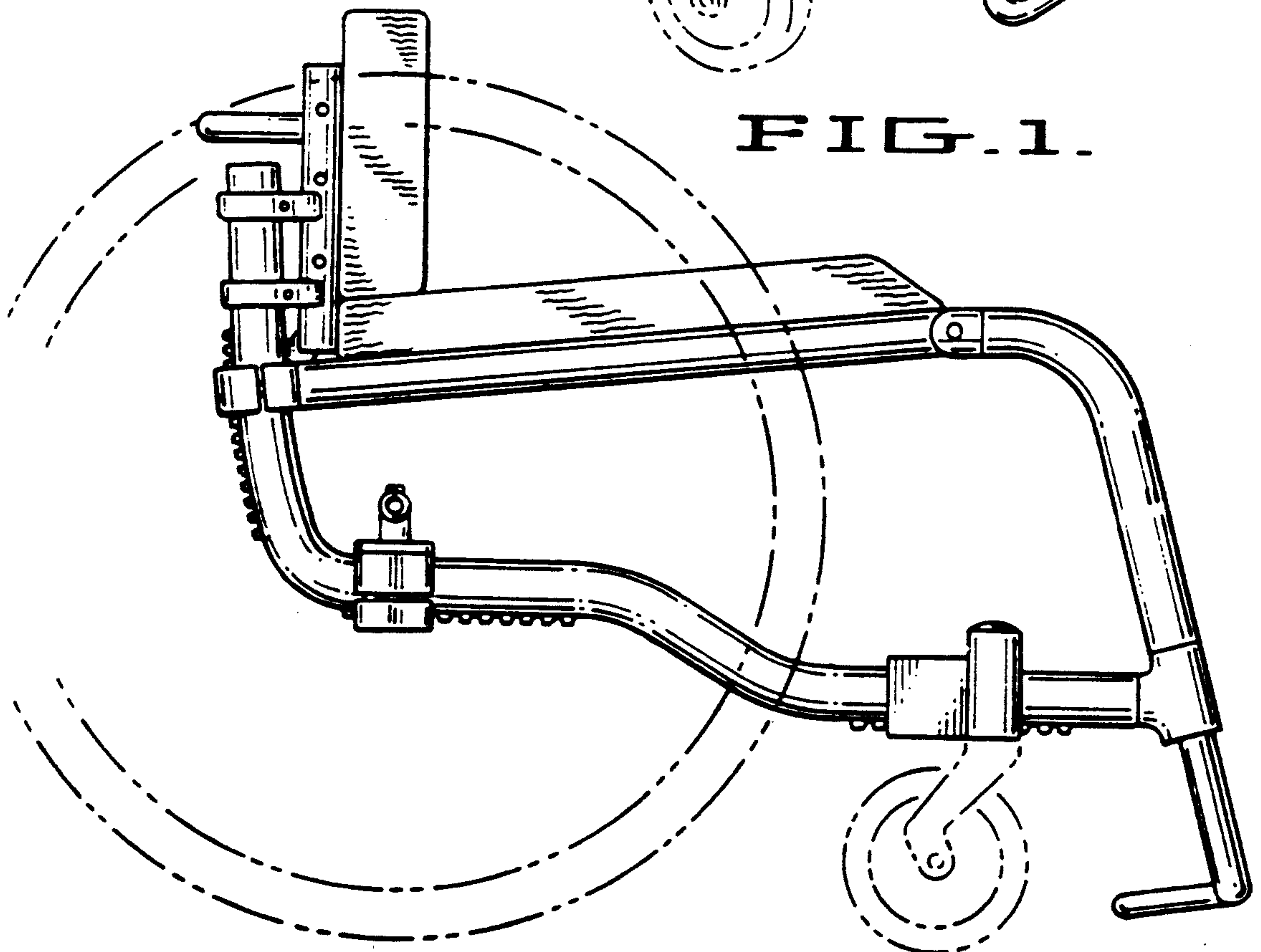


FIG. 2

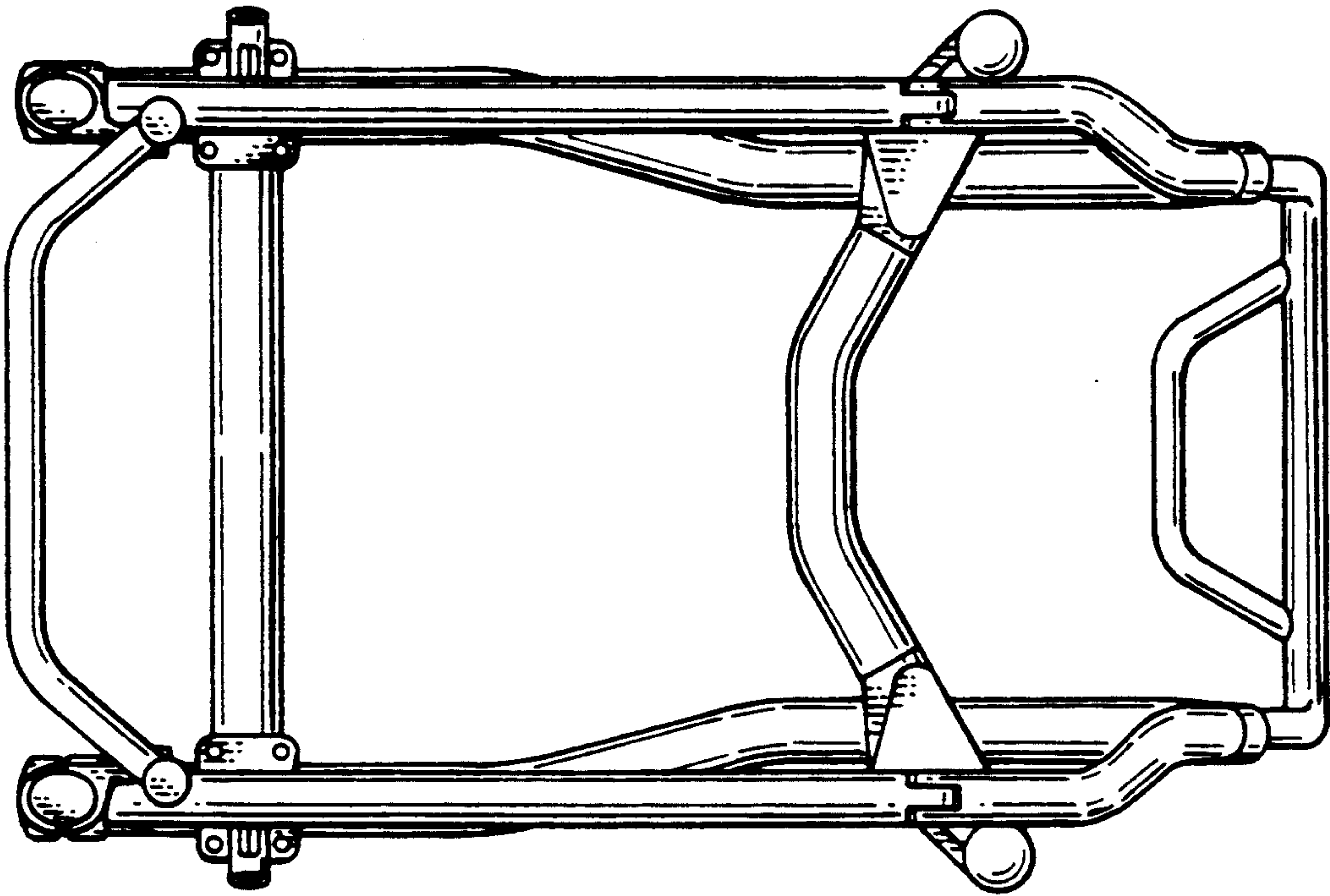


FIG. 3

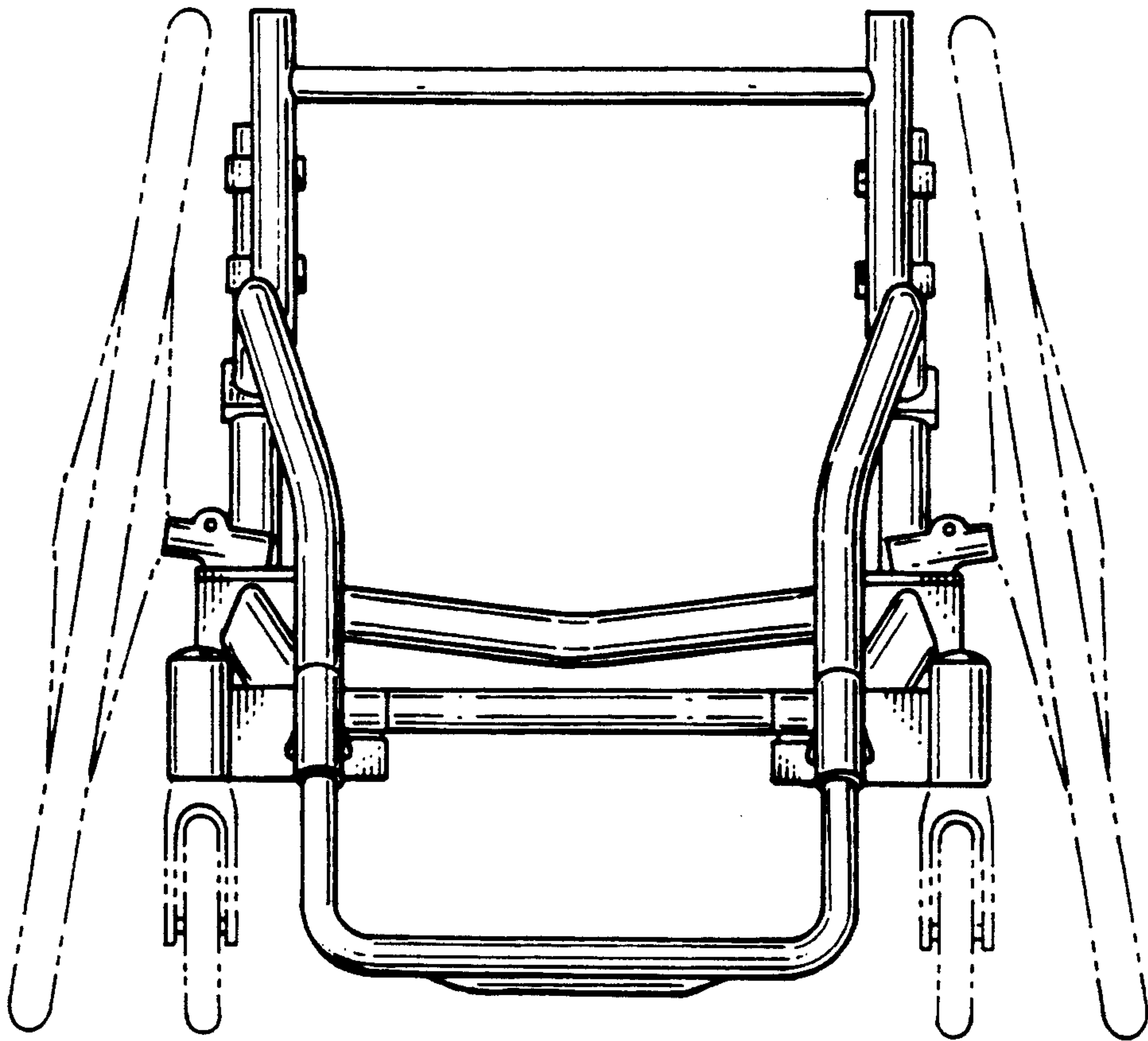


FIG. 4.

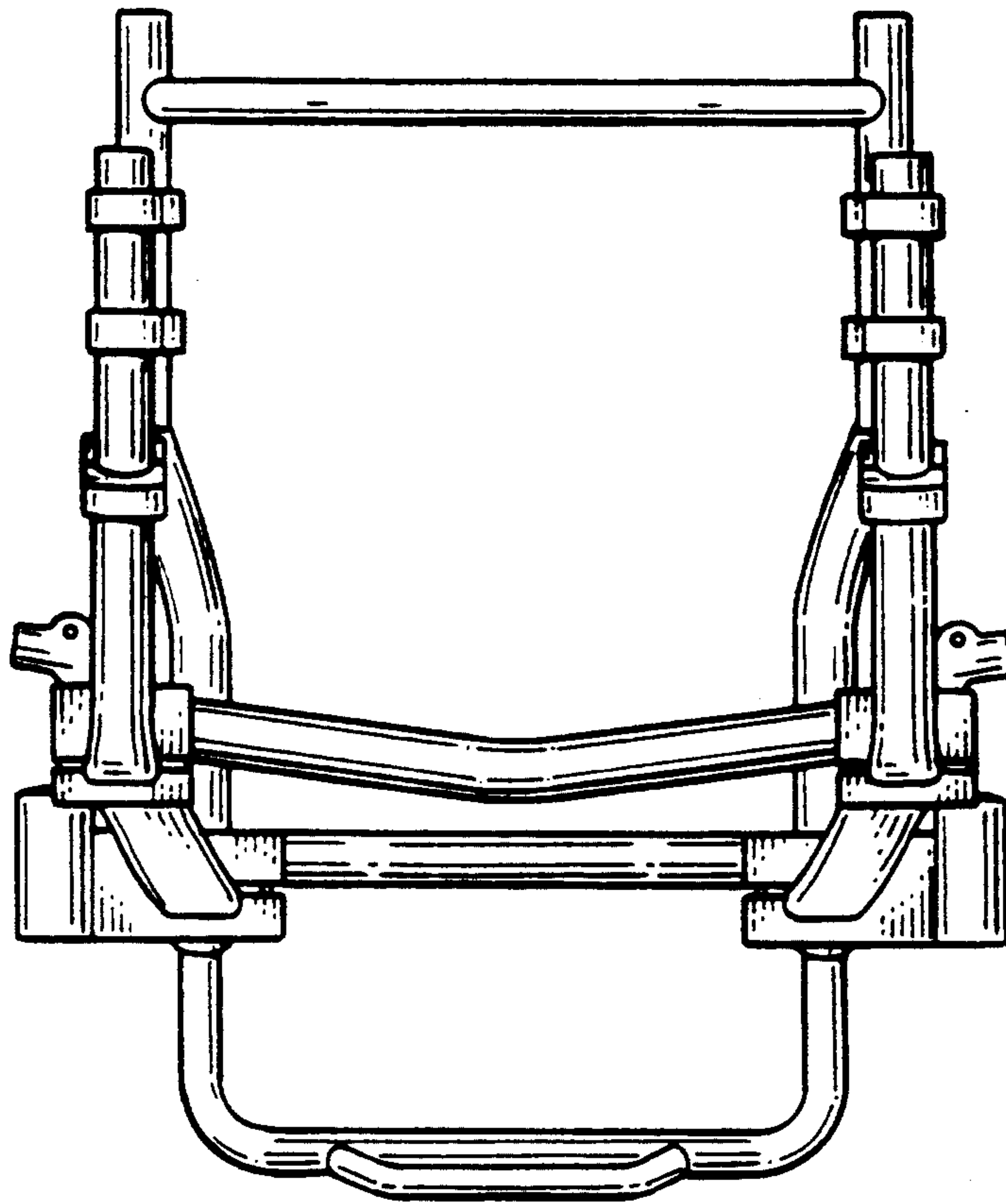


FIG. 5.

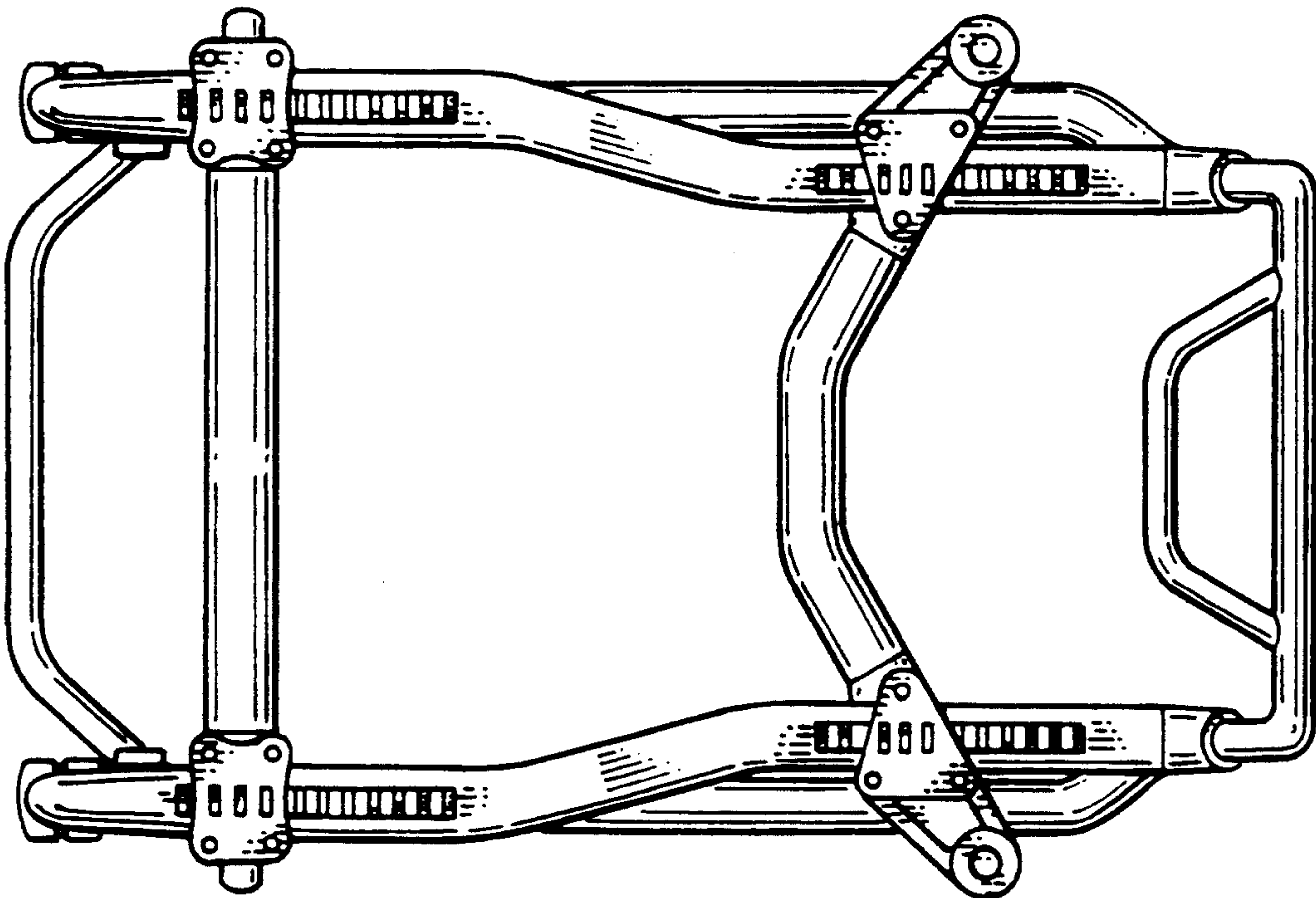


FIG. 6