



US00D344697S

United States Patent [19]
Christie

[11] **Patent Number: Des. 344,697**

[45] **Date of Patent: ** Mar. 1, 1994**

[54] **TIRE TREAD**

[75] **Inventor: Gary S. Christie, Massillon, Ohio**

[73] **Assignee: The Goodyear Tire & Rubber Company, Akron, Ohio**

[**] **Term: 14 Years**

[21] **Appl. No.: 933,505**

[22] **Filed: Aug. 24, 1992**

[52] **U.S. Cl. D12/141; D12/147**

[58] **Field of Search 152/209 R, 209 A, 209 D; D12/136, 138, 141-143, 145-148**

[56] **References Cited**

U.S. PATENT DOCUMENTS

4,424,844 1/1984 Fontaine 152/209 R

OTHER PUBLICATIONS

1991 Tread Design Guide, p. 27, Eldorado Crusader 70

A/S Touring Tire, third row down from top & second tire in from left side of page.

1991 Tread Design Guide, p. 73, Yokohama Y388 Tire, top right side of page.

Primary Examiner—James M. Gandy
Attorney, Agent, or Firm—T. P. Lewandowski

[57] **CLAIM**

The ornamental design for a tire tread, as shown and described.

DESCRIPTION

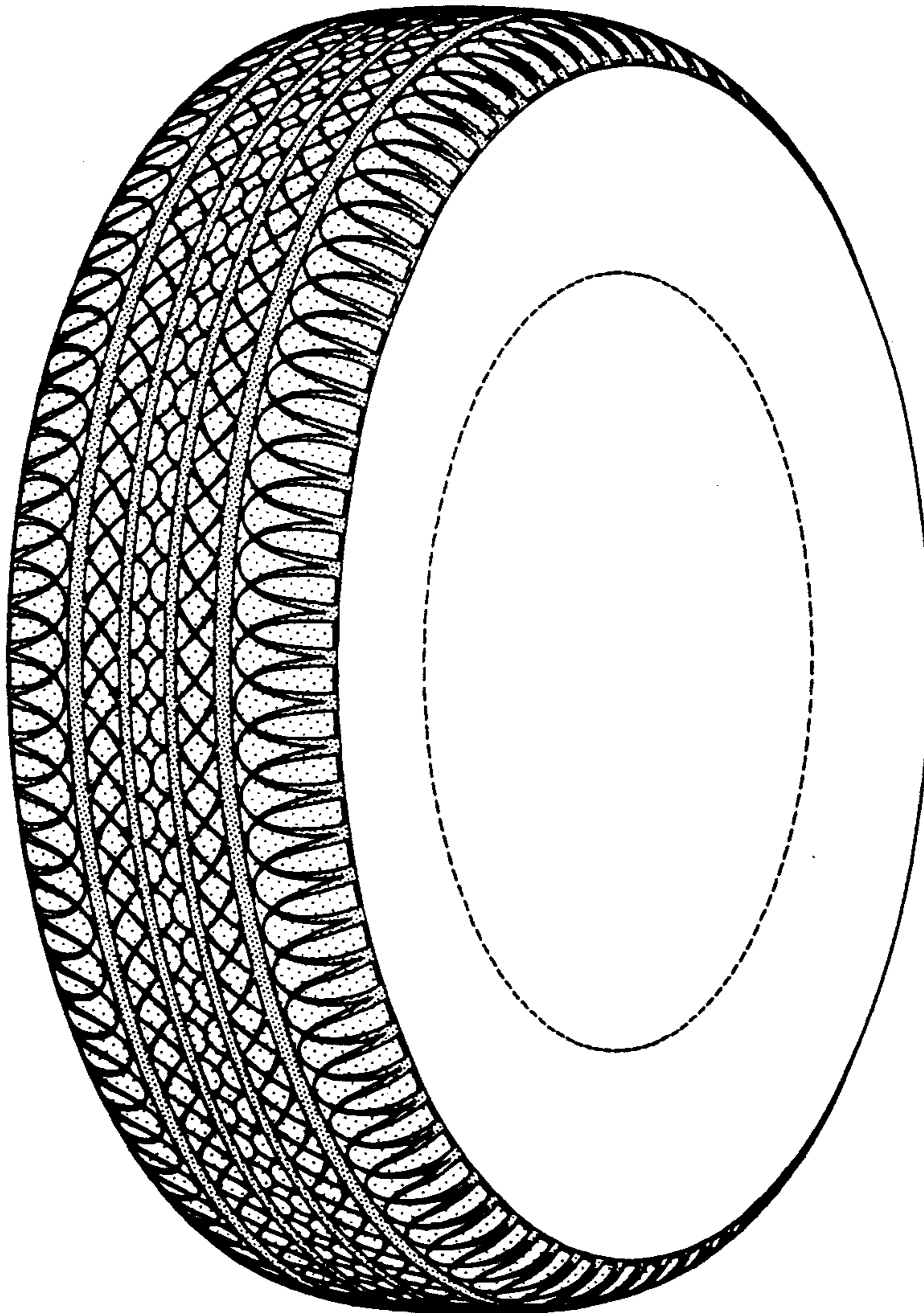
FIG. 1 is a perspective view of a tire tread showing my new design, it being understood that the pattern is repeated throughout the circumference thereof.

FIG. 2 is a front elevational view thereof;

FIG. 3 is a side elevational view thereof; and,

FIG. 4 is an enlarged fragmentary front view thereof.

The broken line showing of the tire sidewall in FIGS. 1, 2 and 3 of the drawing is for illustrative purposes only and forms no part of the claimed design.



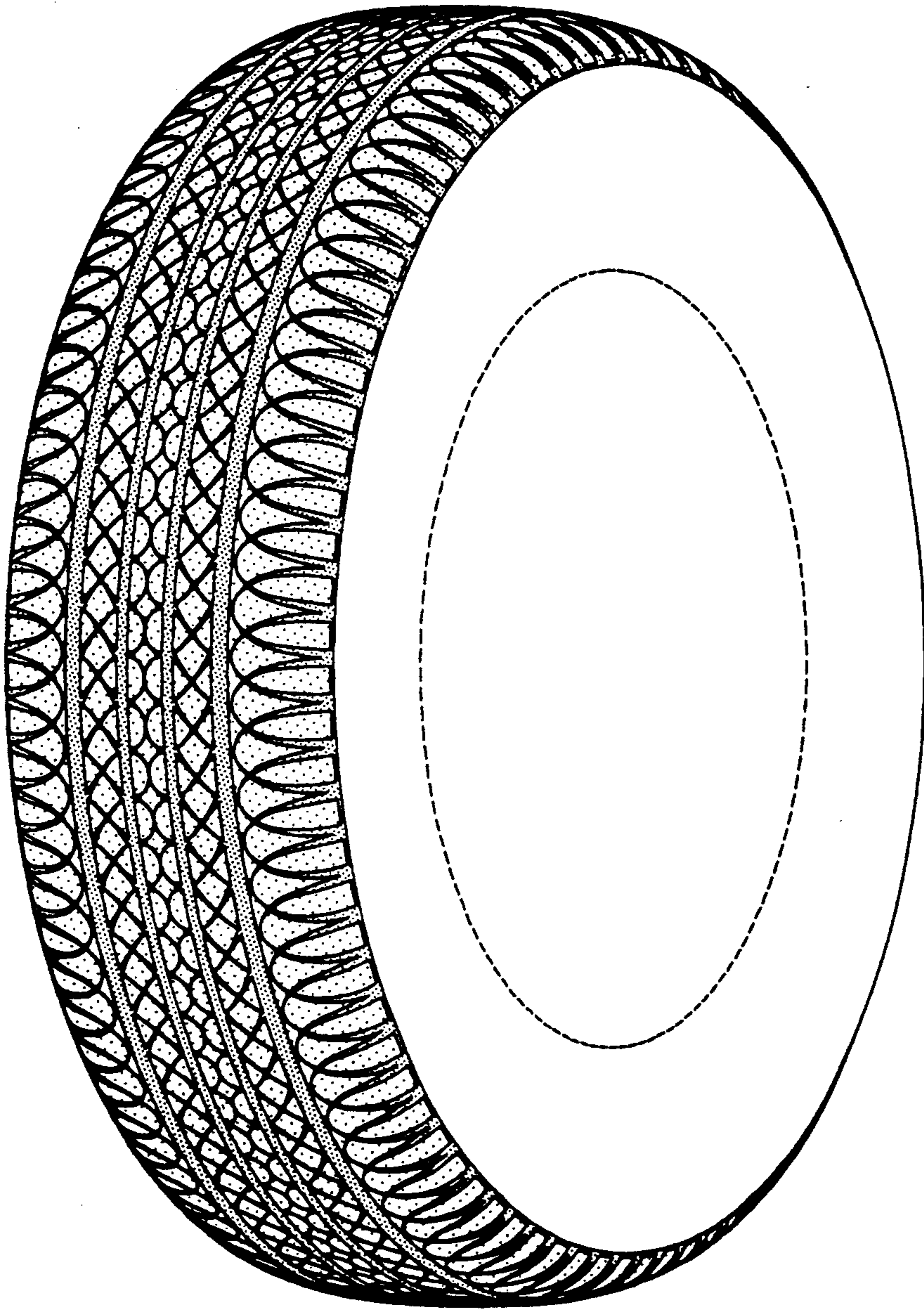


FIG-1

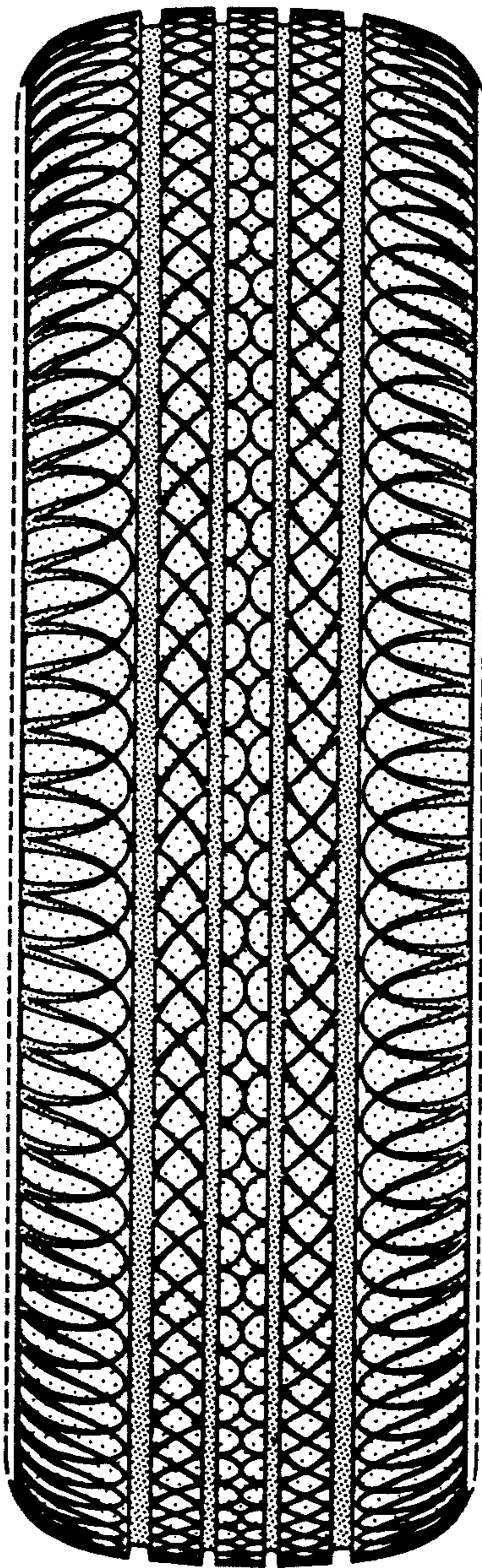


FIG-2

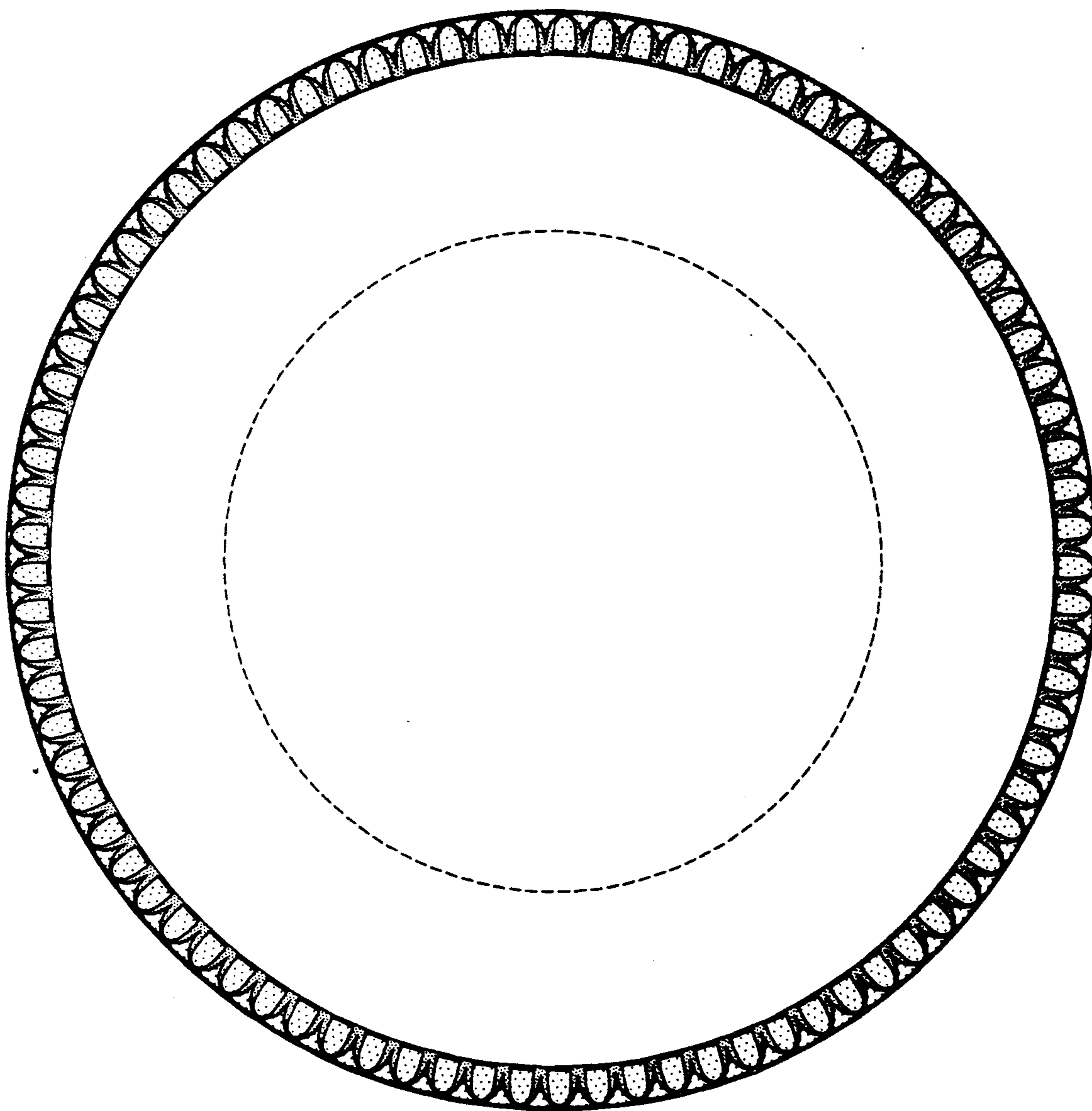


FIG-3

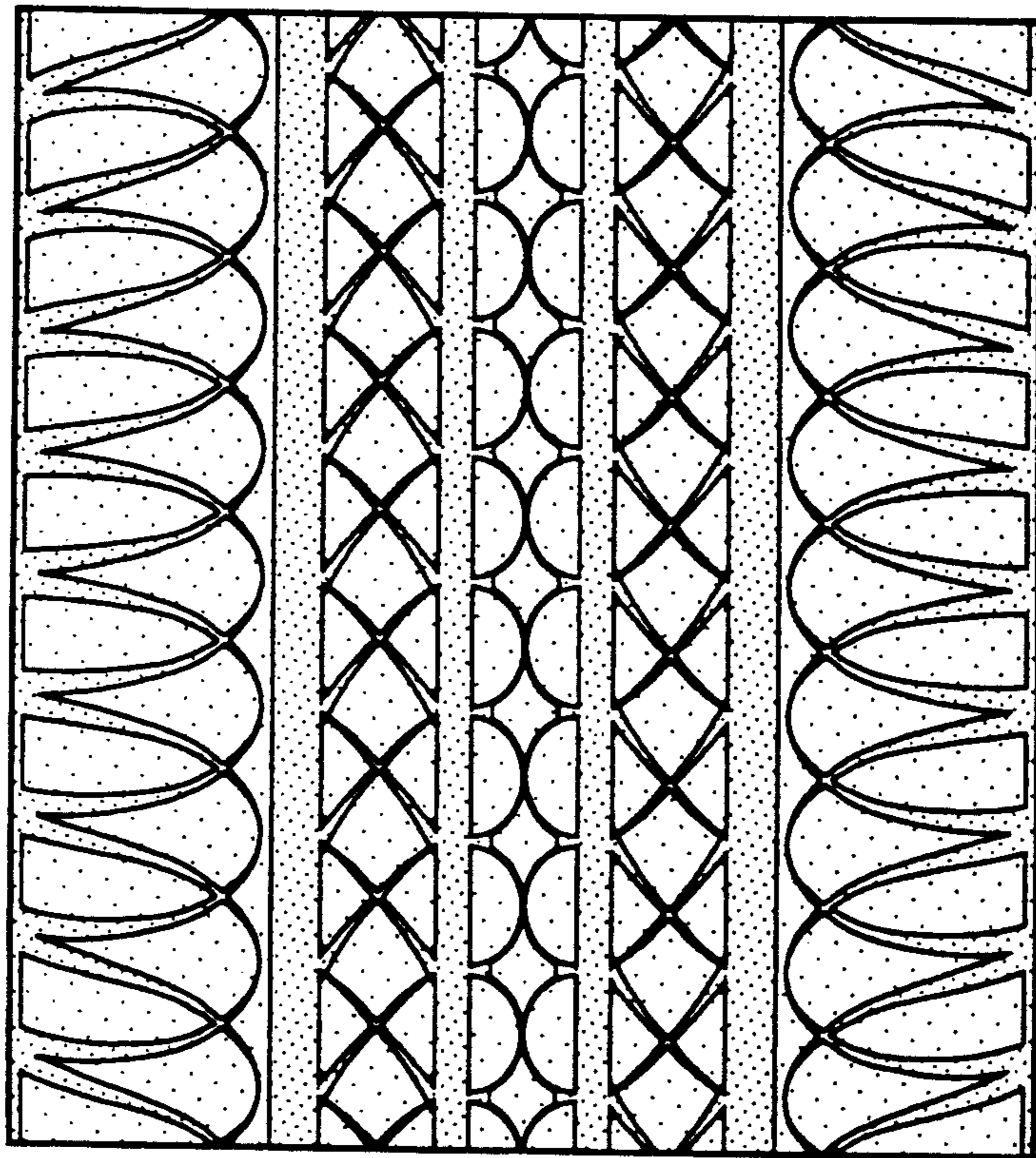


FIG-4