



US00D344696S

United States Patent [19]

Rowedder

[11] Patent Number: **Des. 344,696**

[45] Date of Patent: **** Mar. 1, 1994**

[54] **TRICYCLE FRAME**

[76] Inventor: **Klaus Rowedder**, Tannenweg 6,
D-2352 Mühbrook, Fed. Rep. of
Germany

[**] Term: **14 Years**

[21] Appl. No.: **918,492**

[22] Filed: **Jul. 22, 1992**

[30] **Foreign Application Priority Data**

Jan. 23, 1992 [DE] Fed. Rep. of Germany 9200472

[52] U.S. Cl. **D12/112**

[58] Field of Search 280/282; D12/112, 113,
D12/107

[56] **References Cited**

U.S. PATENT DOCUMENTS

- D. 306,988 4/1990 Cummings D12/112
- D. 328,266 7/1992 Cummings D12/112
- D. 350,690 11/1992 Miceli D12/107

- 4,469,344 9/1984 Coil 280/282
- 4,662,467 5/1987 Arai et al. 280/282
- 4,691,930 9/1987 Samuel 280/282

Primary Examiner—Wallace R. Burke
Assistant Examiner—Melody Brown
Attorney, Agent, or Firm—Panitch Schwarze Jacobs &
Nadel

[57] **CLAIM**

The ornamental design for a tricycle frame, as shown and described.

DESCRIPTION

FIG. 1 is a top plan view of a tricycle frame showing my new design;
FIG. 2 is a bottom plan view thereof;
FIG. 3 is a left side elevational view thereof;
FIG. 4 is a right side elevational view thereof;
FIG. 5 is a front elevational view thereof, the rear view being a mirror image of that shown; and,
FIG. 6 is a perspective view thereof.

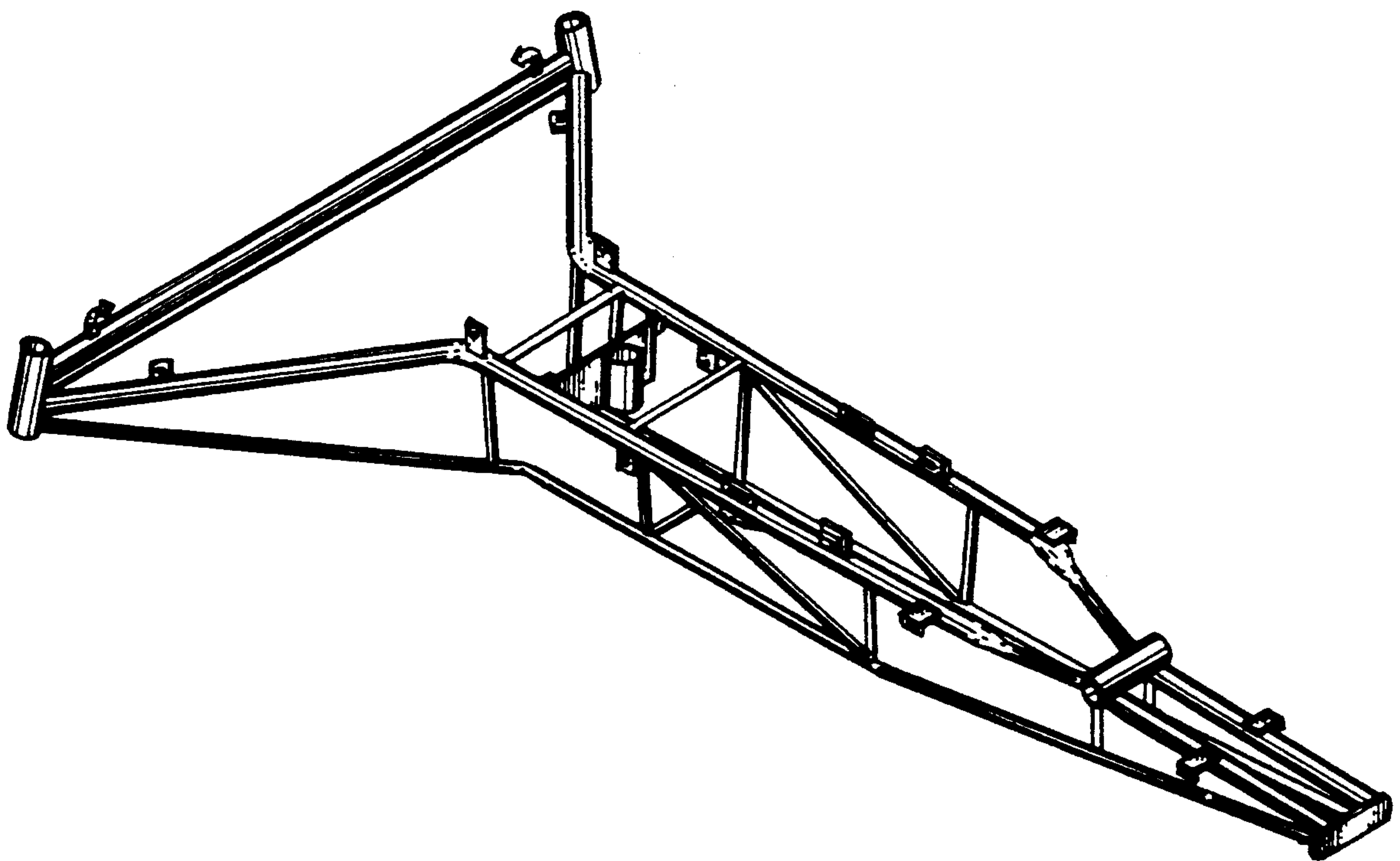


FIG. 1

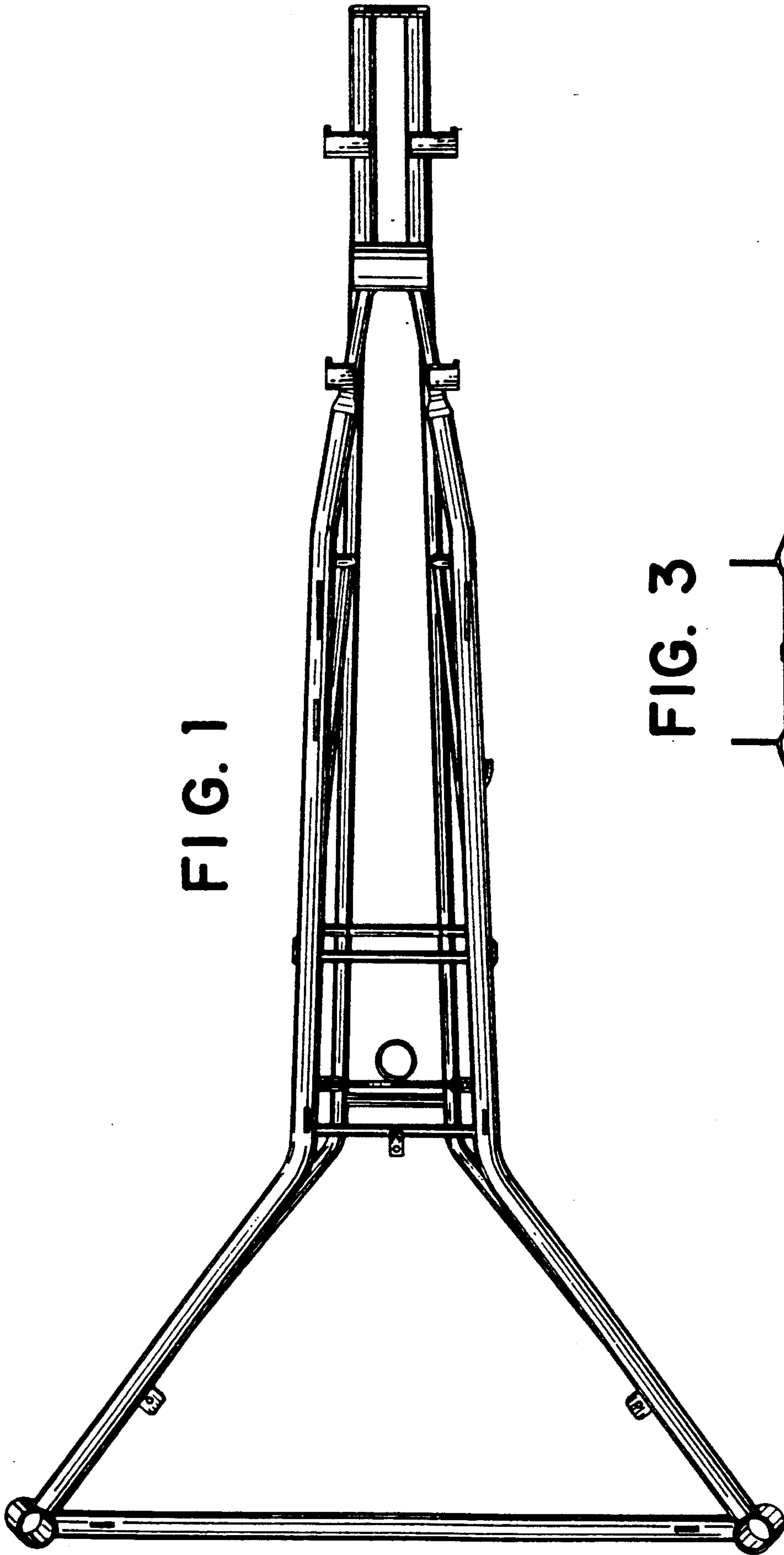


FIG. 3

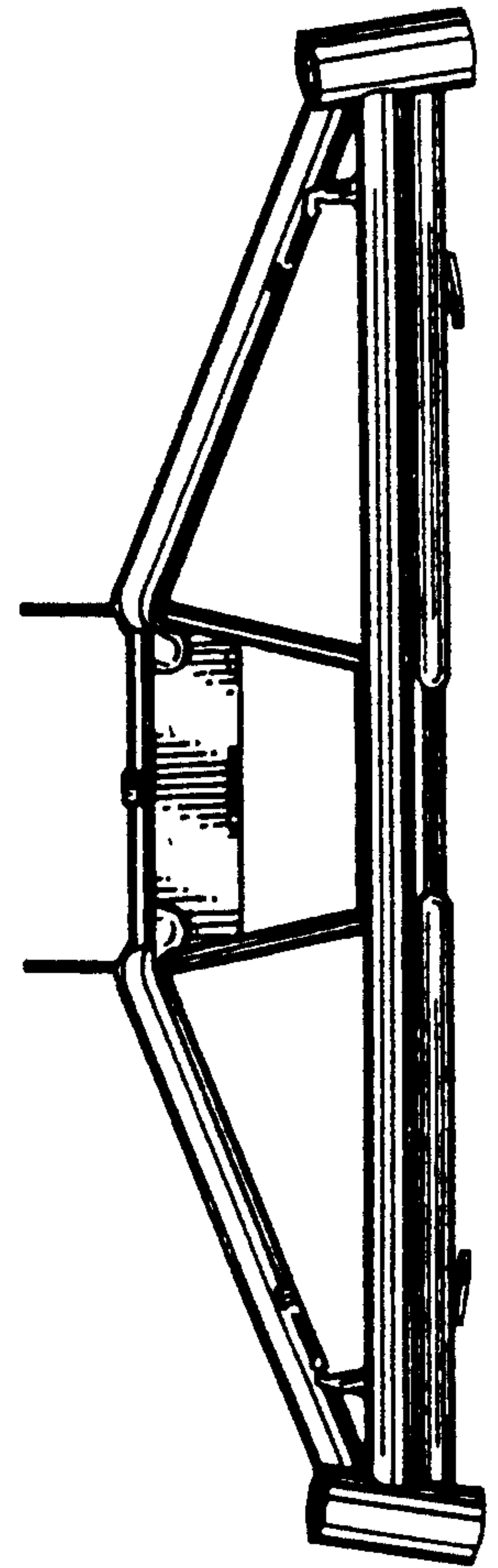


FIG. 2

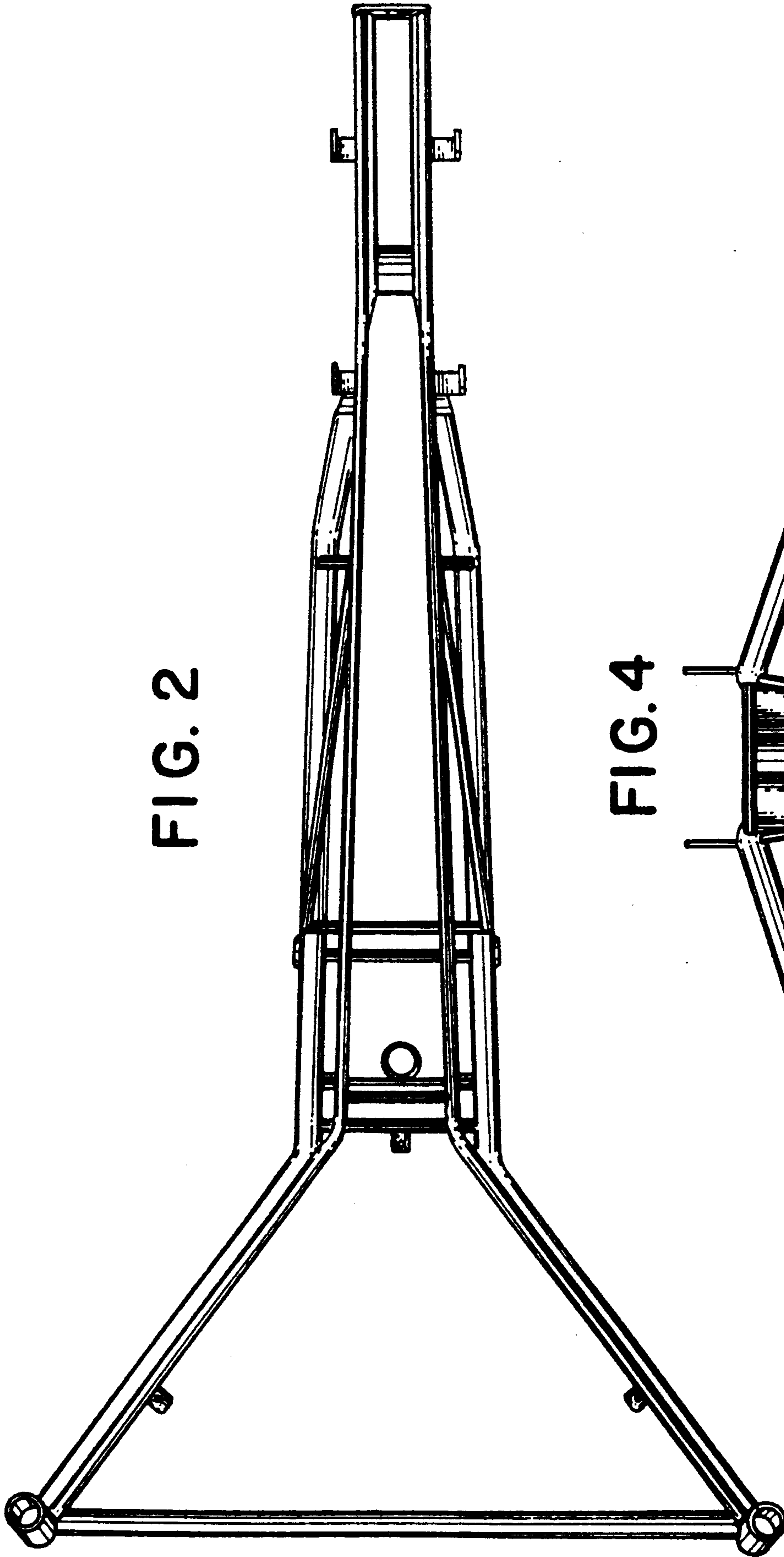
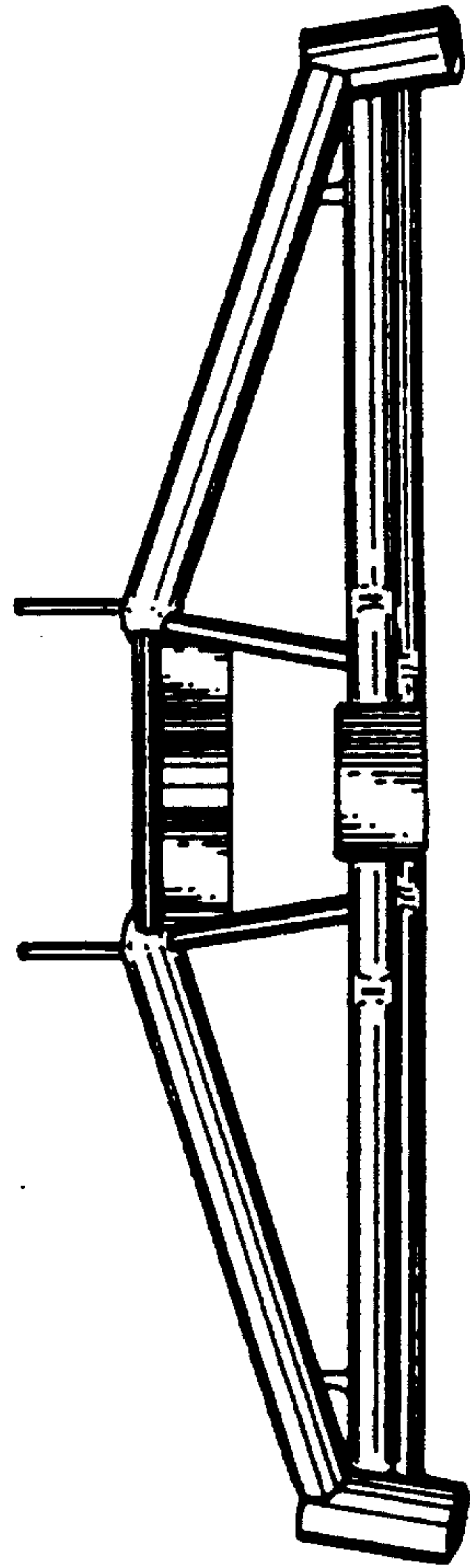


FIG. 4



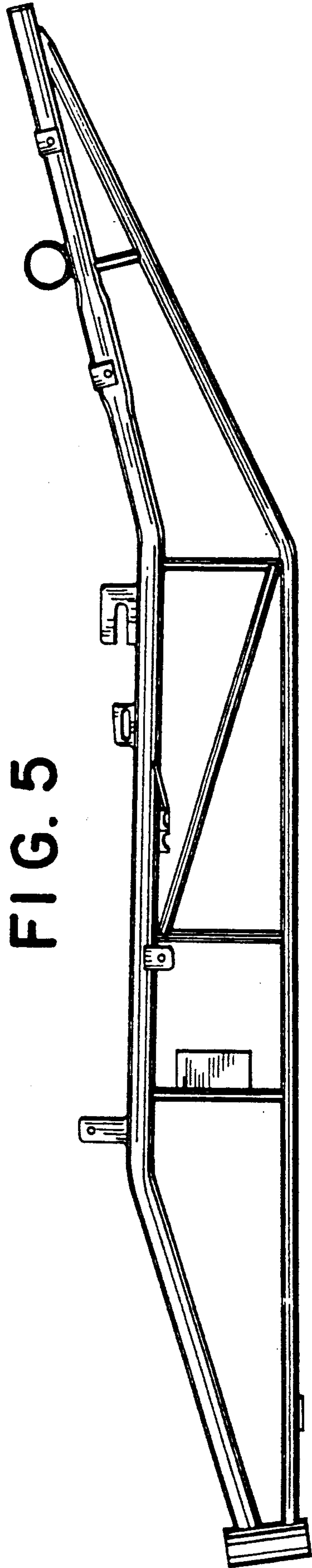


FIG. 5

FIG. 6

