



US00D344684S

# United States Patent [19]

[11] Patent Number: Des. 344,684

Metz et al.

[45] Date of Patent: \*\* Mar. 1, 1994

[54] **MULTI-PURPOSE USER INTERFACE PANEL**

[75] Inventors: **Stephen V. Metz**, St. Paul; **Guy M. Shoultz**, Delano, both of Minn.

[73] Assignee: **Honeywell Inc.**, Minneapolis, Minn.

[\*\*] Term: **14 Years**

[21] Appl. No.: **931,224**

[22] Filed: **Aug. 17, 1992**

[52] U.S. Cl. .... **D10/103; D13/177; D10/60**

[58] Field of Search ..... **364/500; 395/155-160; D10/49, 52, 60, 103; D13/177**

[56] **References Cited**

**U.S. PATENT DOCUMENTS**

D. 288,921	3/1987	Peck	.....	D13/177
D. 310,177	8/1990	Bensoussan et al.	.....	D10/50
5,182,796	1/1993	Shibayama et al.	.....	395/155 X
5,230,063	7/1993	Hoerber et al.	.....	395/155 X

*Primary Examiner*—Nelson C. Holtje  
*Assistant Examiner*—Antoine D. Davis  
*Attorney, Agent, or Firm*—Edmund P. Anderson;  
Michael B. Atlass

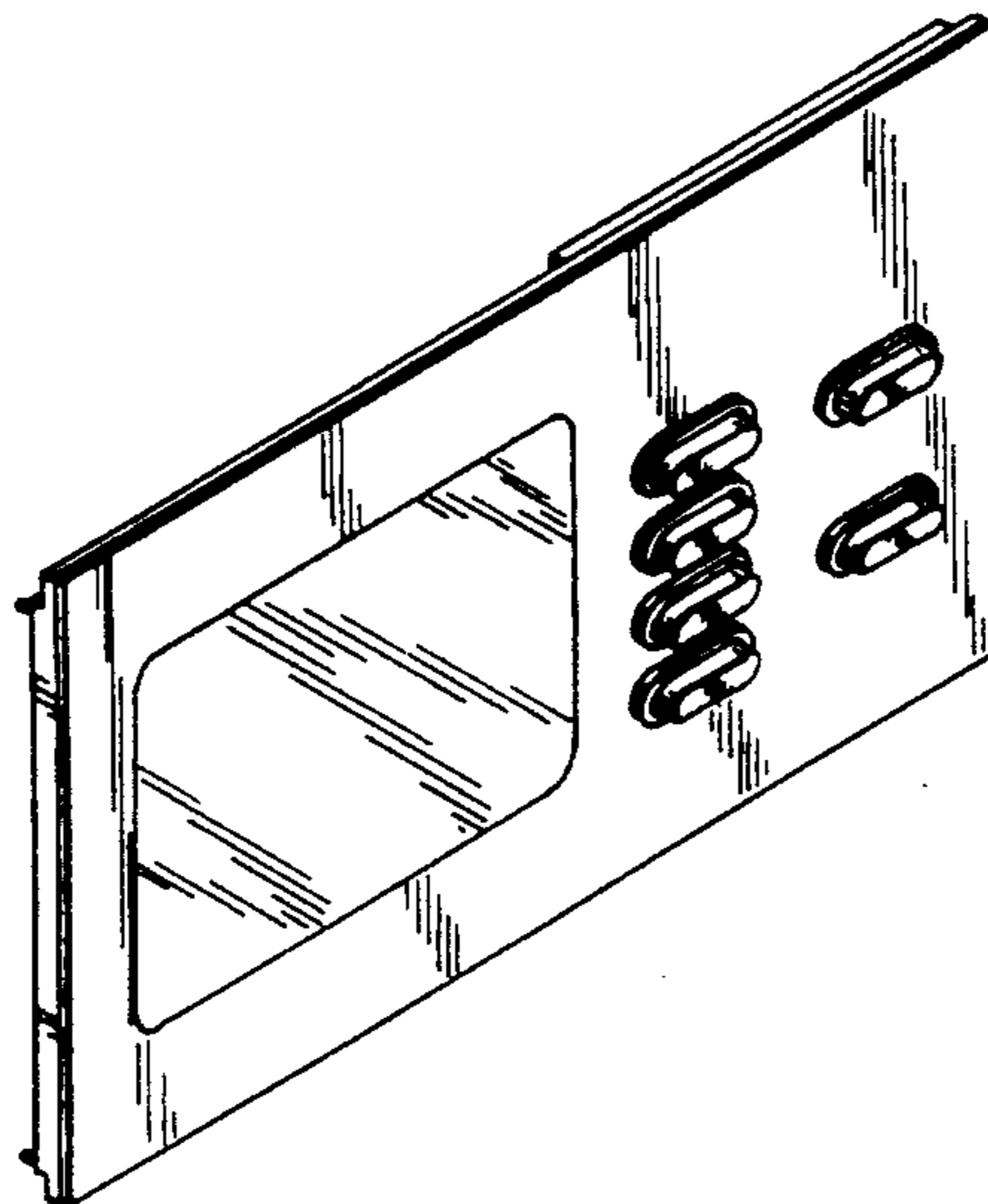
[57] **CLAIM**

The ornamental design for a multi-purpose user interface panel, as shown and described.

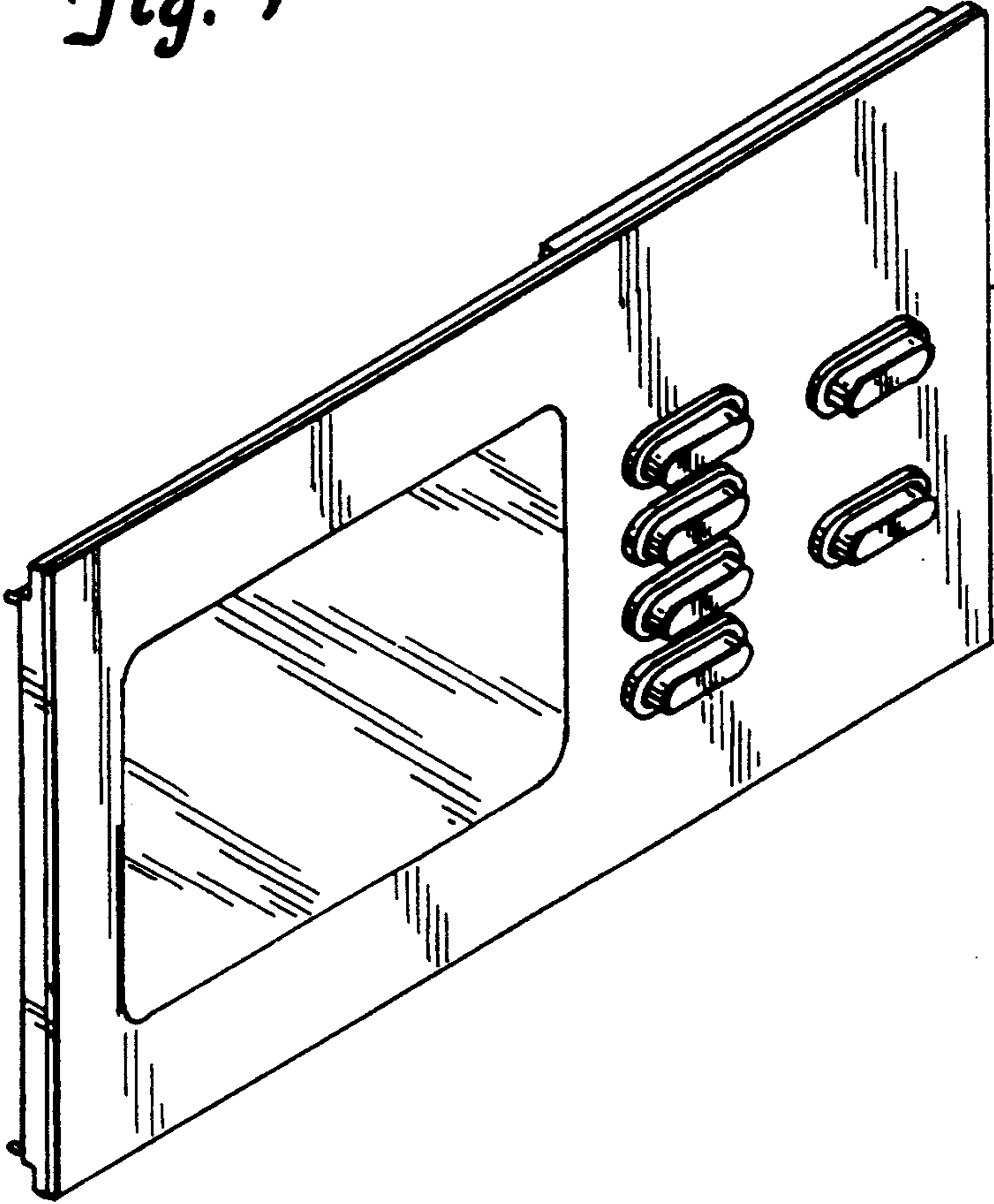
**DESCRIPTION**

FIG. 1 is a view of the subject invention in perspective; FIG. 2 is a left side elevation of the device of FIG. 1 as seen from left to right of FIG. 1; FIG. 3 is a right side elevation of the device of FIG. 1 as seen from side opposite that shown in FIG. 2; FIG. 4 is a view of the device of FIG. 1 from the front elevation; FIG. 5 is a view of the device of FIG. 1 in top plan; FIG. 6 is a view of the device of FIG. 1 in bottom plan;

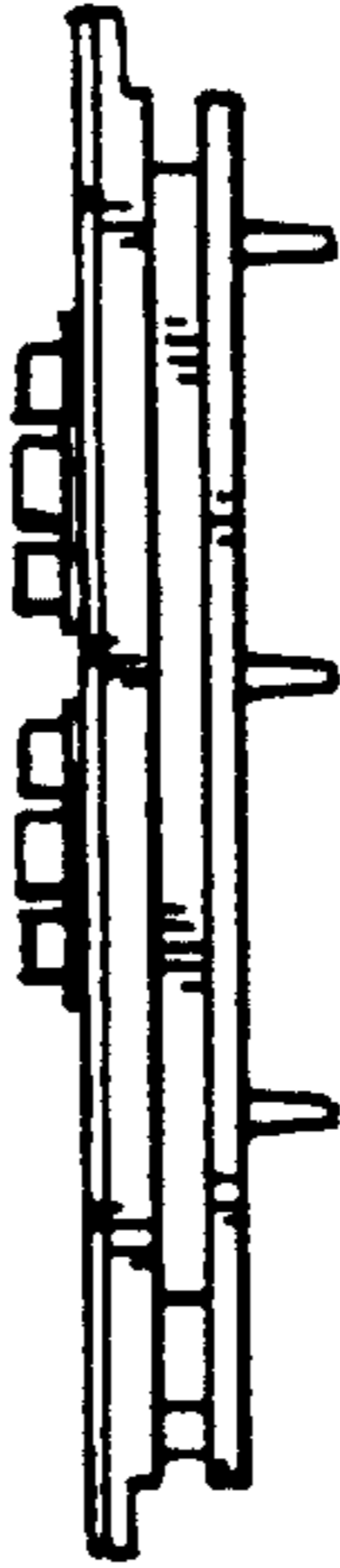
FIG. 7 is a view of the device of FIG. 1 from the rear elevation;  
FIG. 8 is an embodiment of the device of FIG. 1, having accent bars in the areas shown;  
FIG. 9 is a left side elevation of the device of FIG. 8 as seen from left to right of FIG. 8;  
FIG. 10 is a right side elevation of the device of FIG. 8 as seen from side opposite that shown in FIG. 9;  
FIG. 11 is a view of the device of FIG. 8 from the front elevation;  
FIG. 12 is a view of the device of FIG. 8 in top plan;  
FIG. 13 is a view of the device of FIG. 8 in bottom plan;  
FIG. 14 is a view of the device of FIG. 8 from the rear elevation;  
FIG. 15 is an embodiment of the device of FIG. 1, having a bezel;  
FIG. 16 is a left side elevation of the device of FIG. 15 as seen from left to right of FIG. 15;  
FIG. 17 is a right side elevation of the device of FIG. 15 as seen from side opposite that shown in FIG. 16;  
FIG. 18 is a view of the device of FIG. 15 from the front elevation;  
FIG. 19 is a view of the device of FIG. 15 in top plan;  
FIG. 20 is a view of the device of FIG. 15 in bottom plan;  
FIG. 21 is a view of the device of FIG. 15 from the rear elevation;  
FIG. 22 is a view of an embodiment of the device of FIG. 1, having accent bars in the areas shown and a bezel;  
FIG. 23 is a left side elevation of the device of FIG. 22 as seen from left to right of FIG. 22;  
FIG. 24 is a right side elevation of the device of FIG. 22 as seen from side opposite that shown in FIG. 23;  
FIG. 25 is a view of the device of FIG. 22 from the front elevation;  
FIG. 26 is a view of the device of FIG. 22 in top plan;  
FIG. 27 is a view of the device of FIG. 22 in bottom plan; and,  
FIG. 28 is a view of the device of FIG. 22 from the rear elevation.



*Fig. 1*

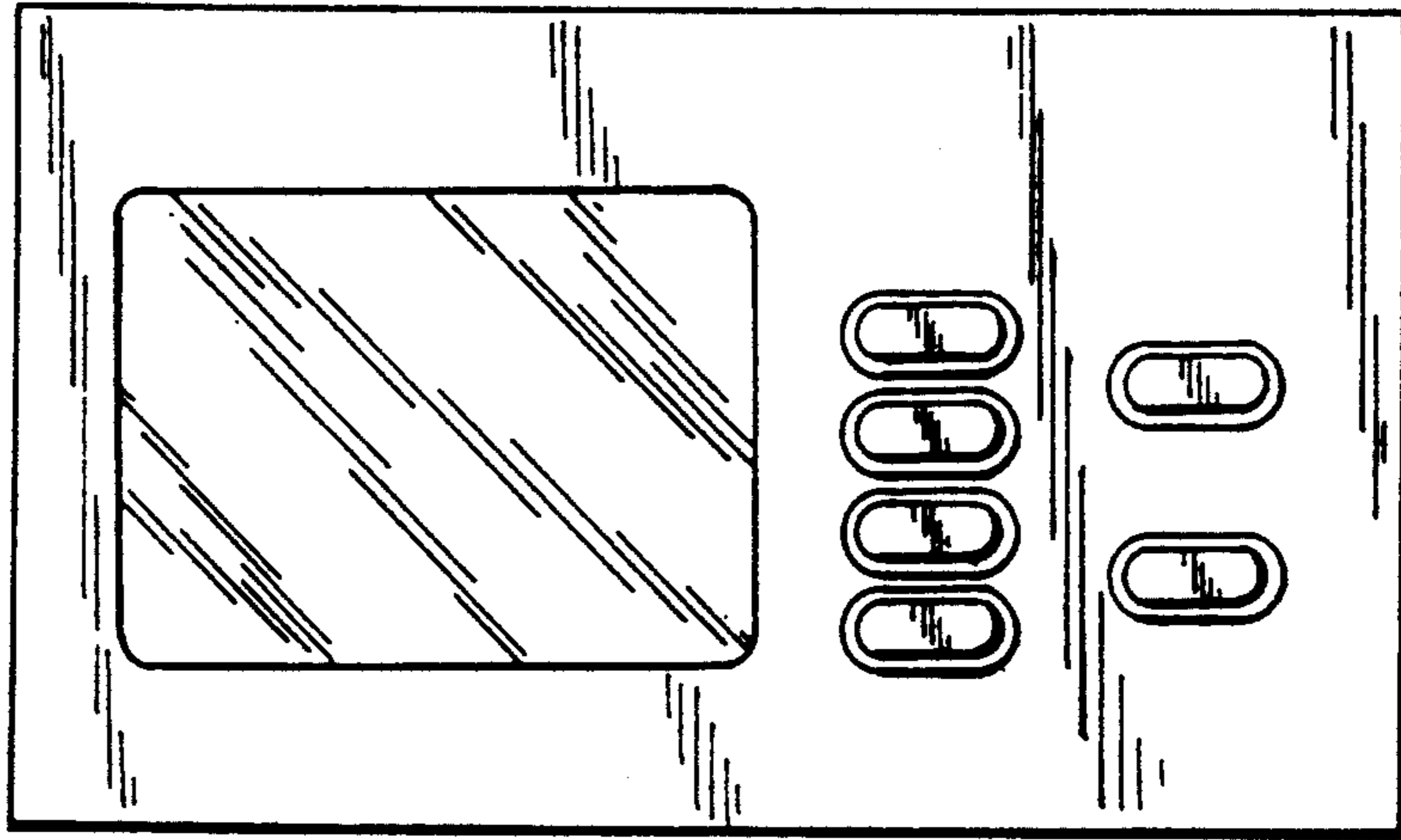


*Fig. 3*

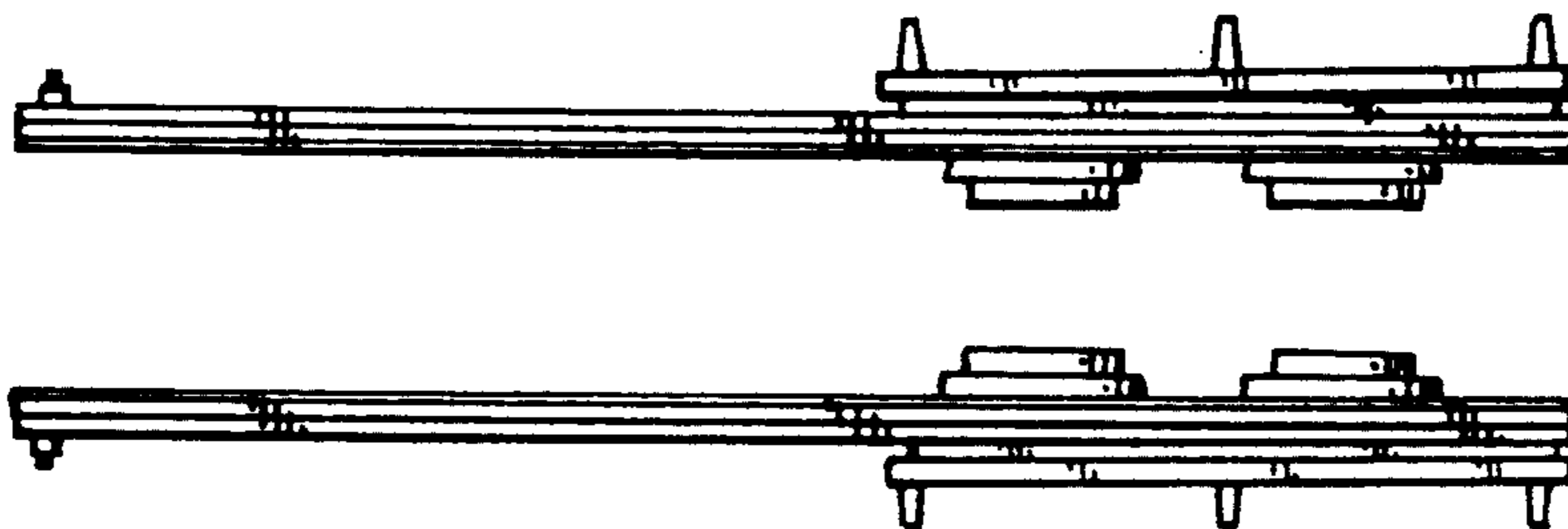


*Fig. 2*



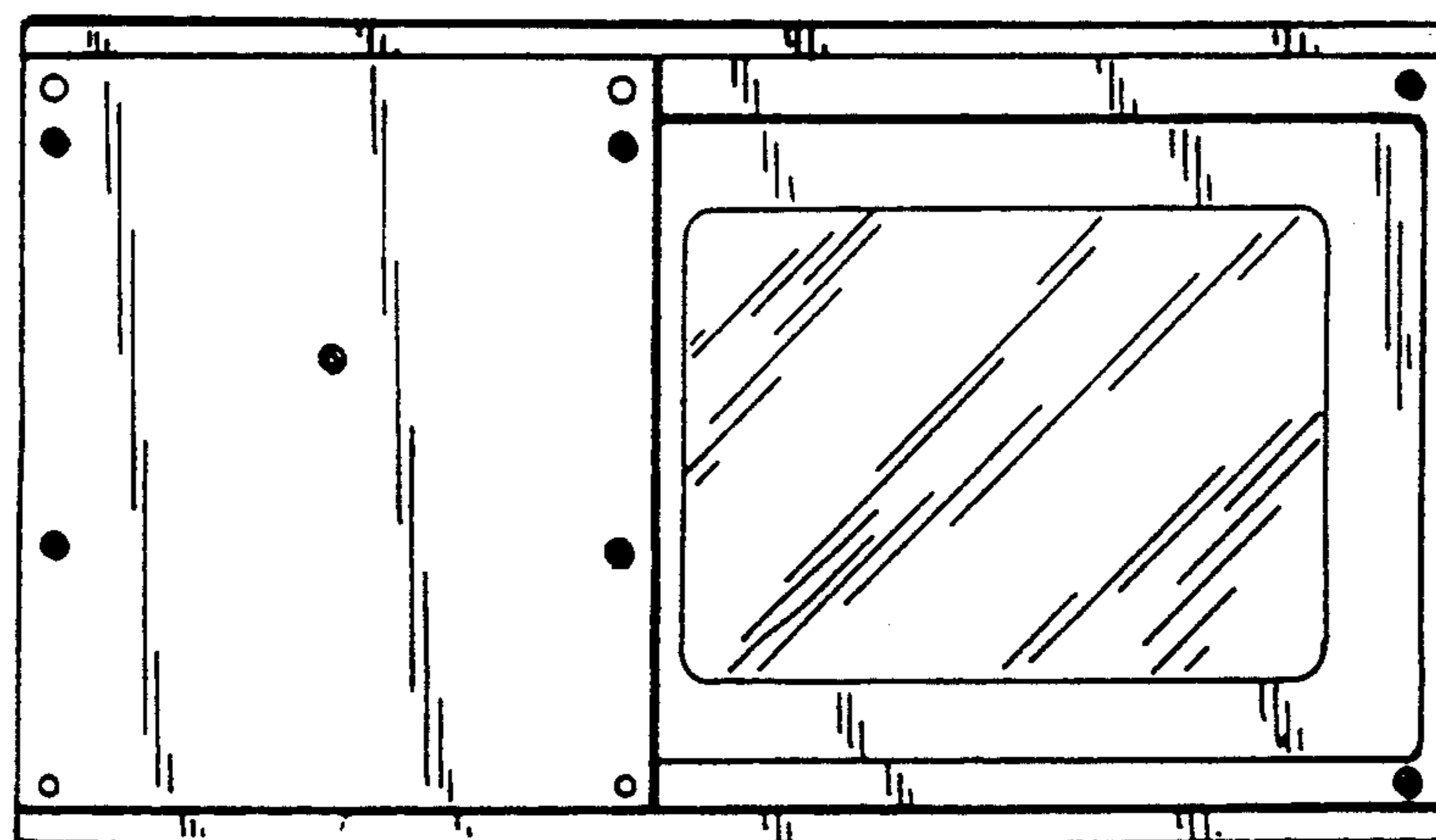


*Fig. 4*



*Fig. 5*

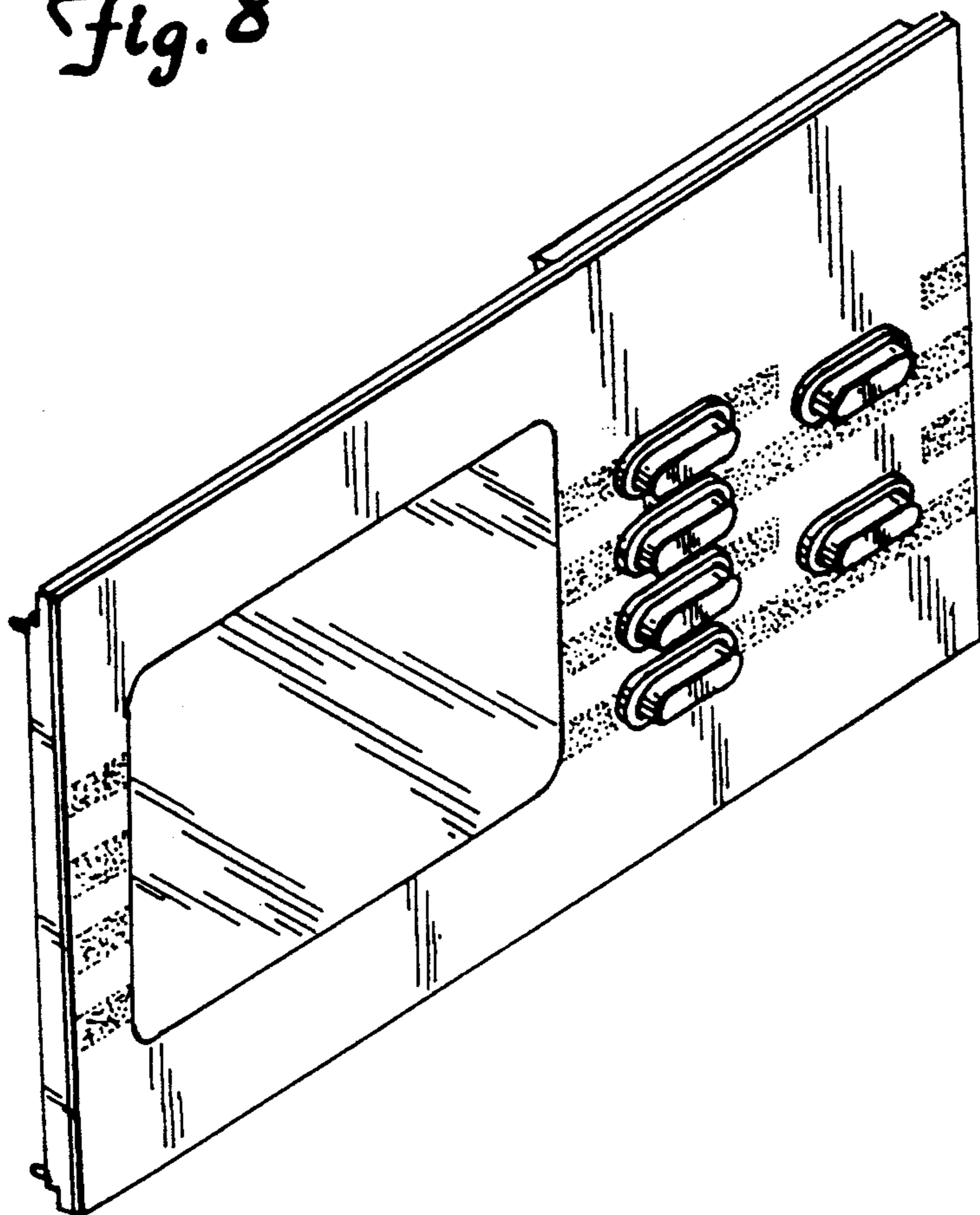
*Fig. 6*



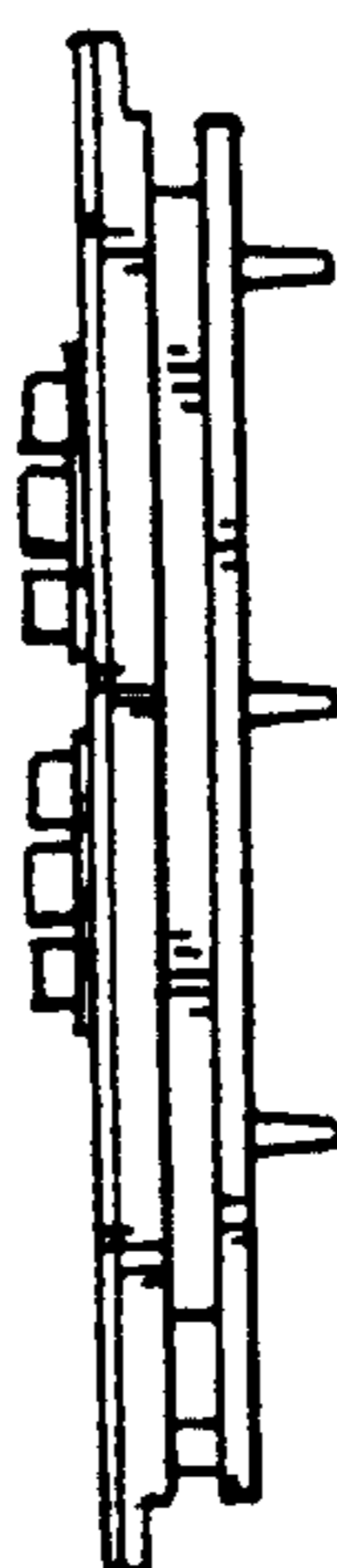
*Fig. 7*



*Fig. 8*

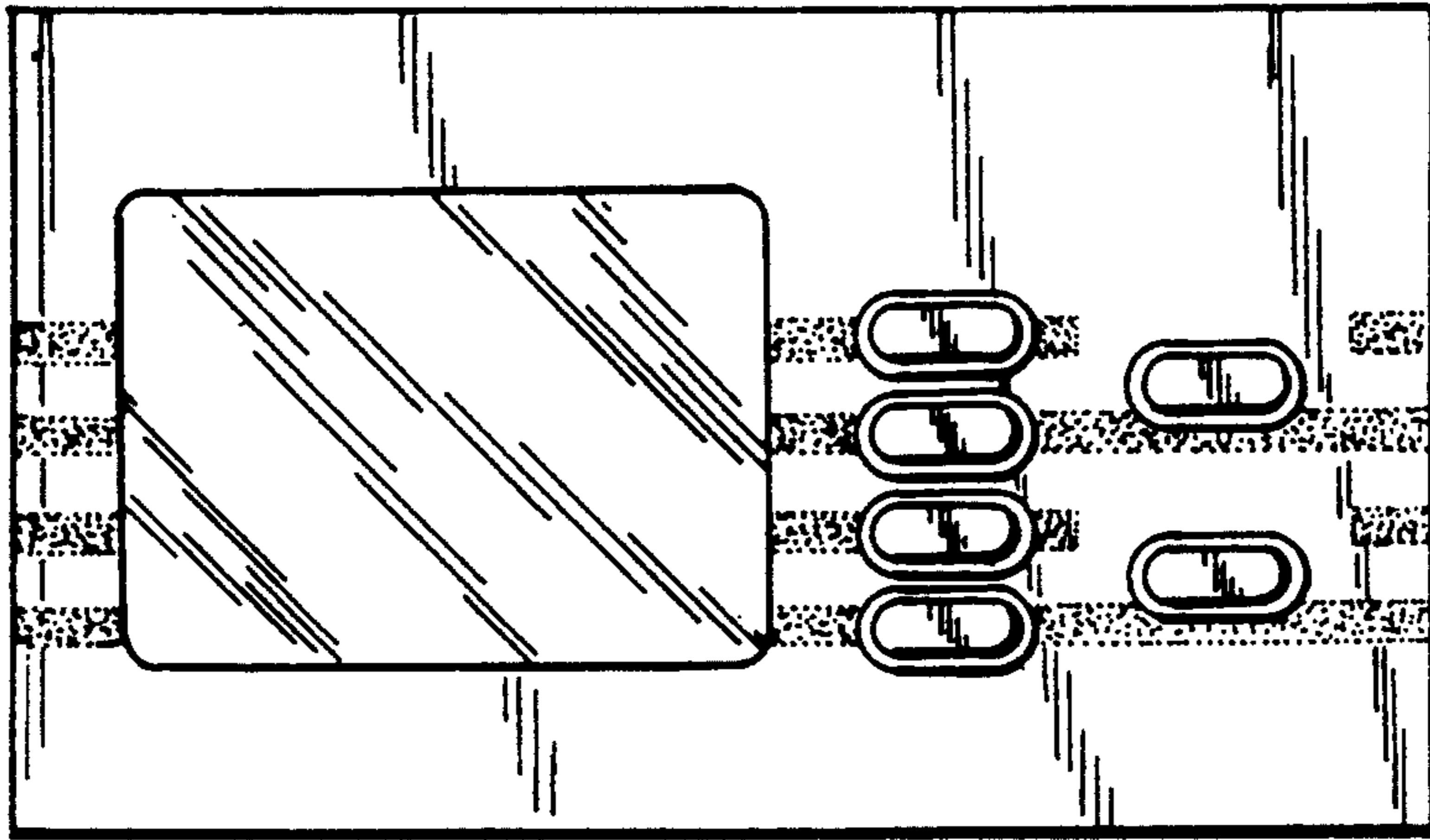


*Fig. 10*



*Fig. 9*





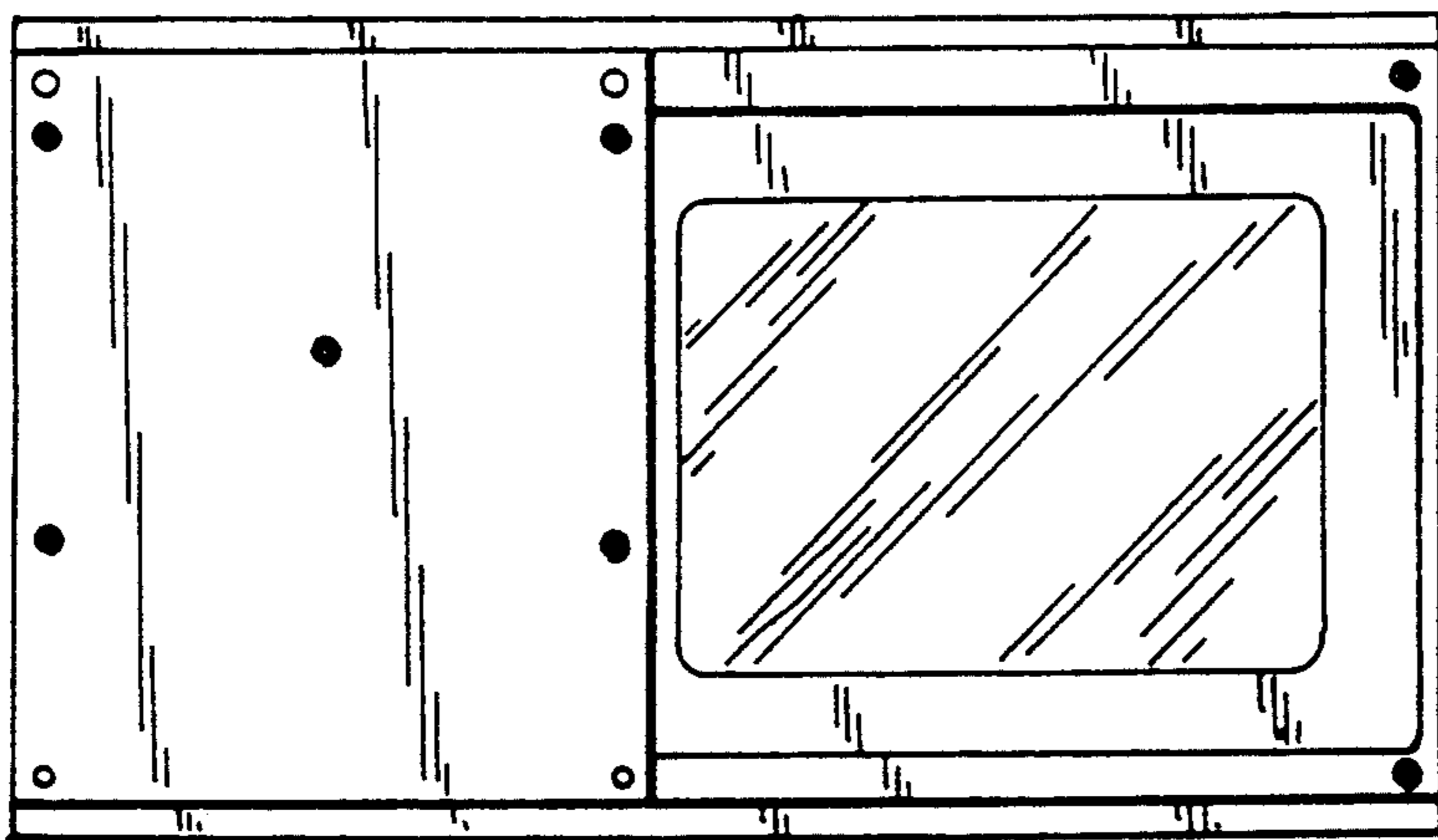
*Fig. 11*



*Fig. 12*

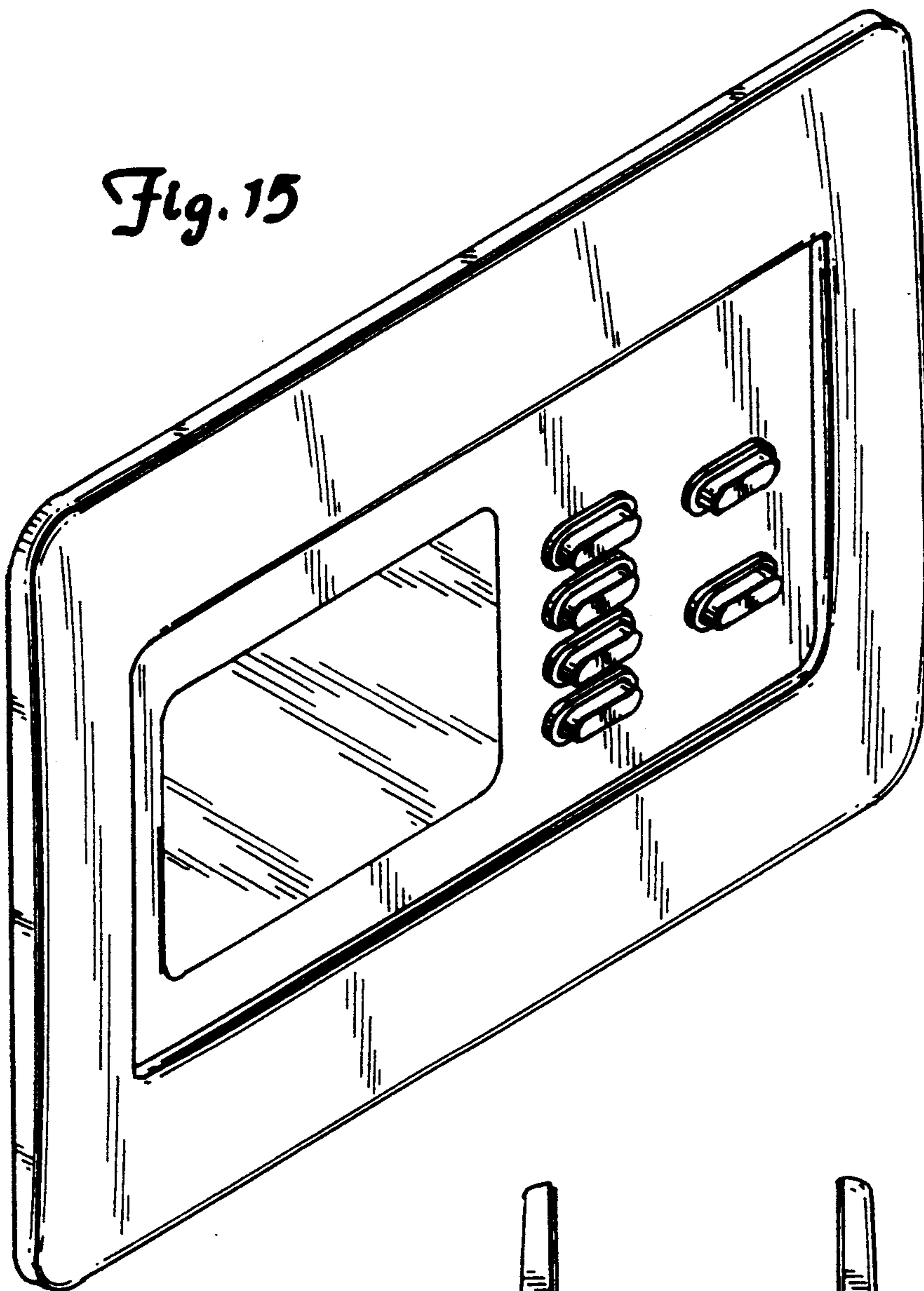


*Fig. 13*

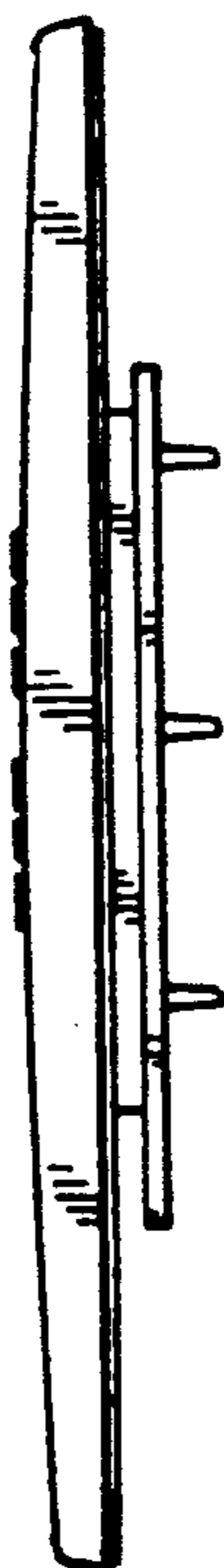


*Fig. 14*

*Fig. 15*

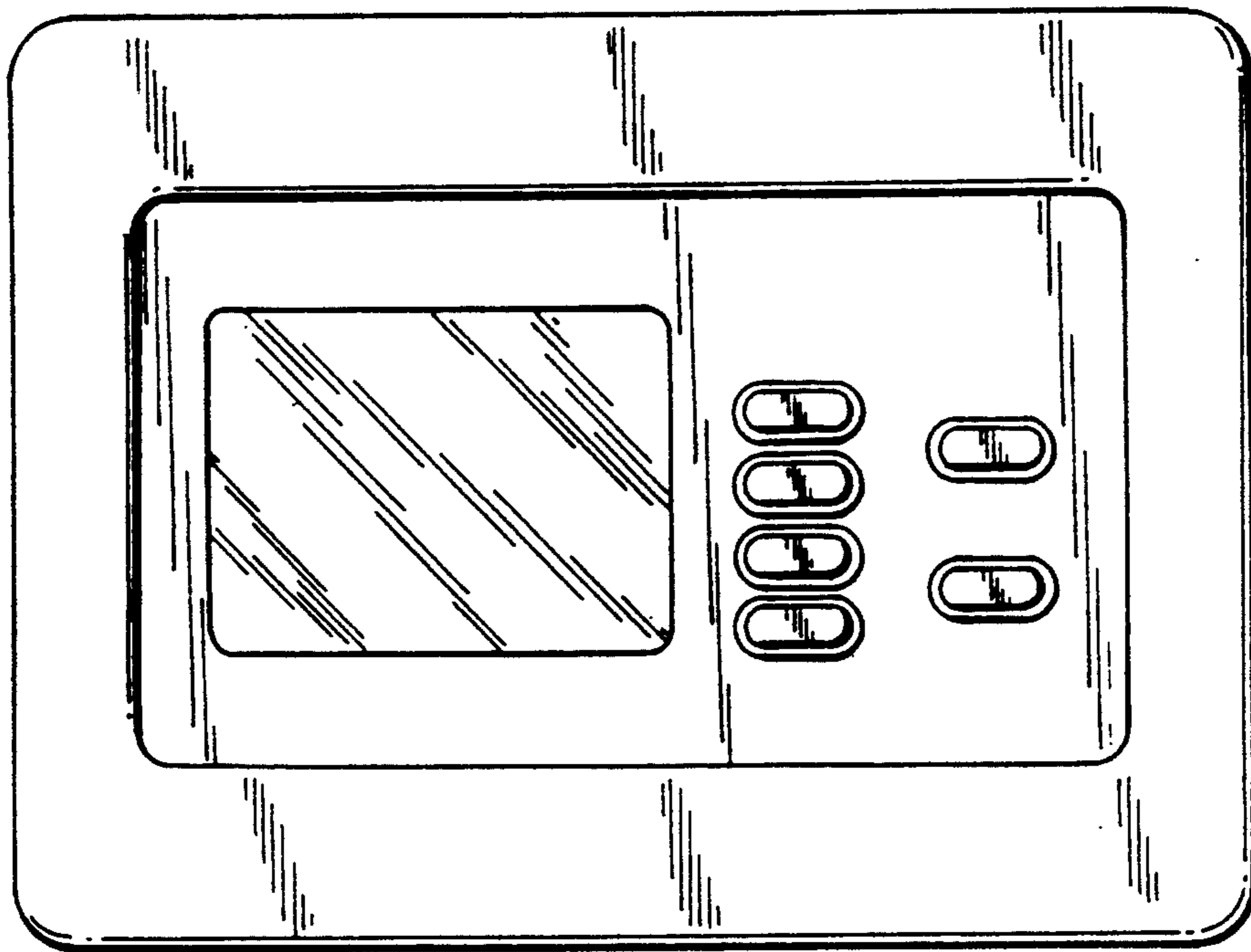


*Fig. 17*

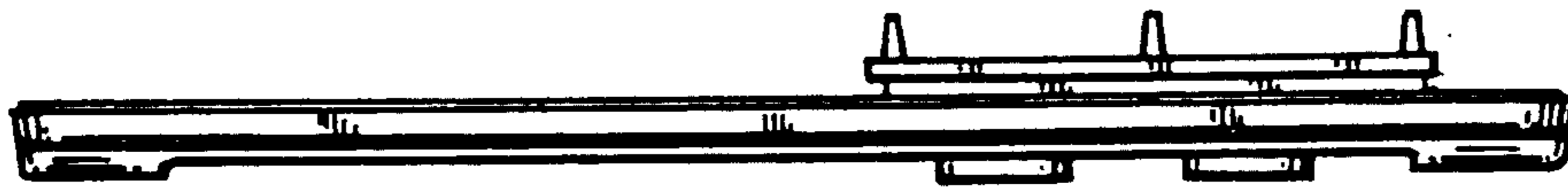


*Fig. 16*

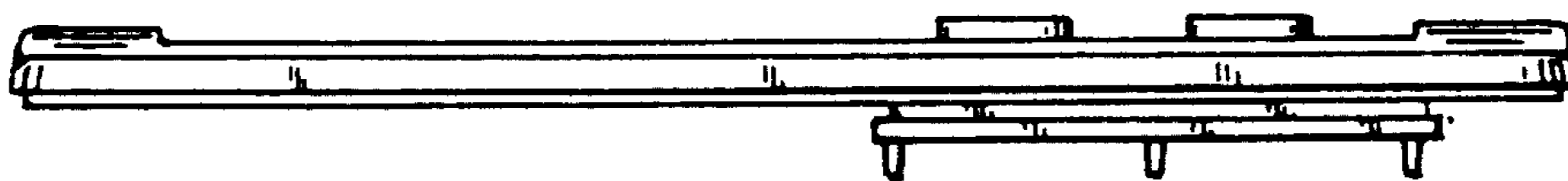




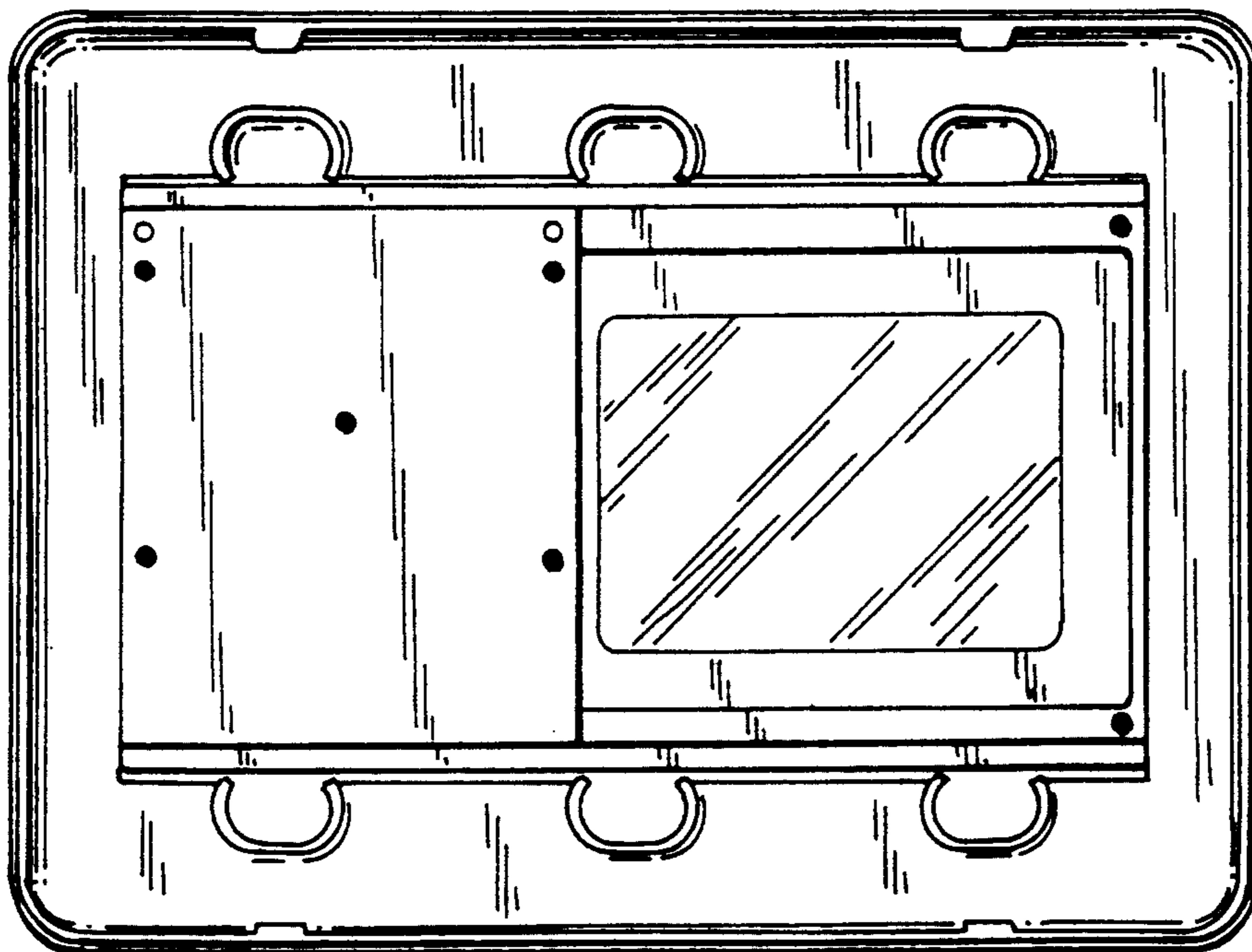
*Fig. 18*



*Fig. 19*



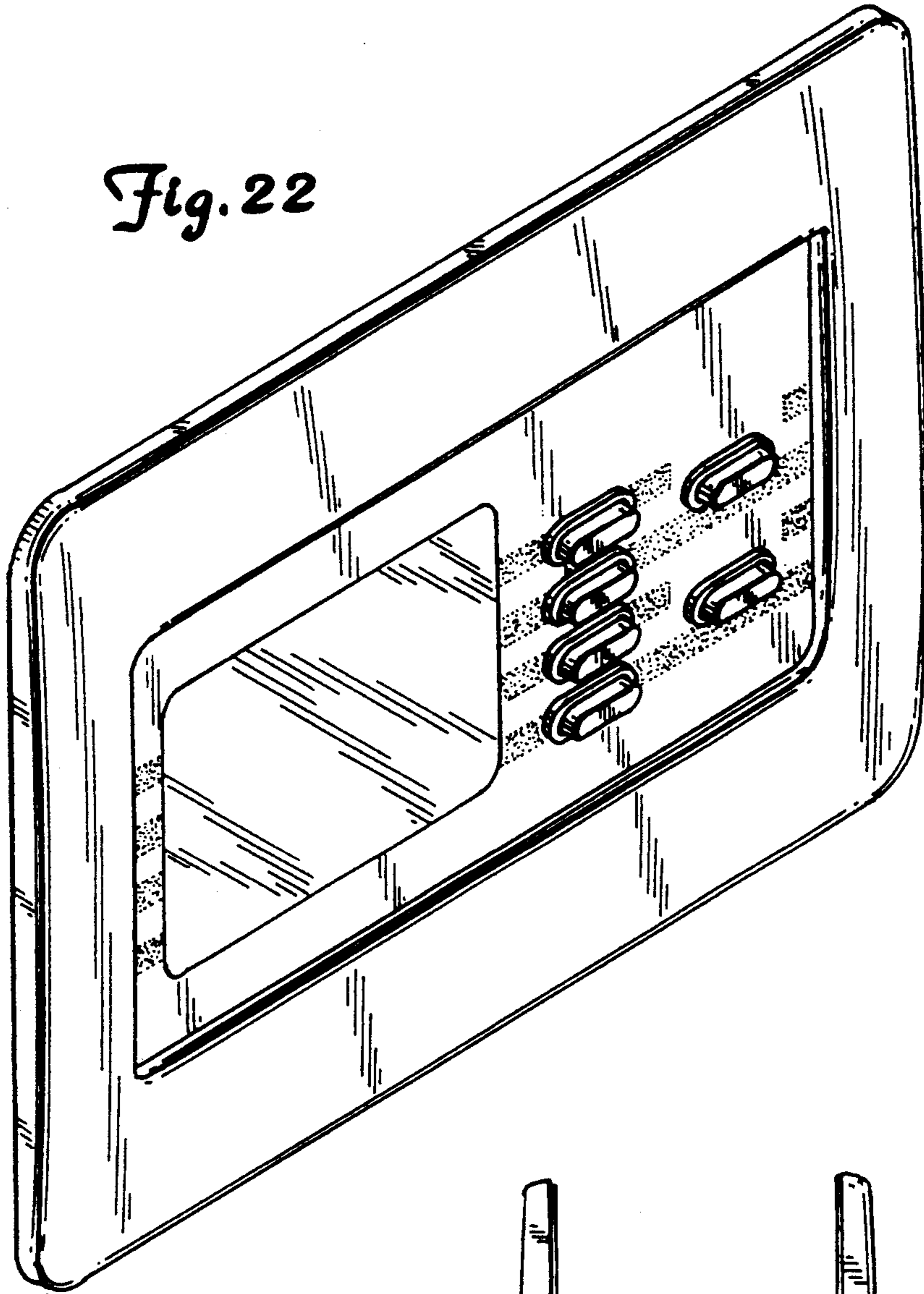
*Fig. 20*



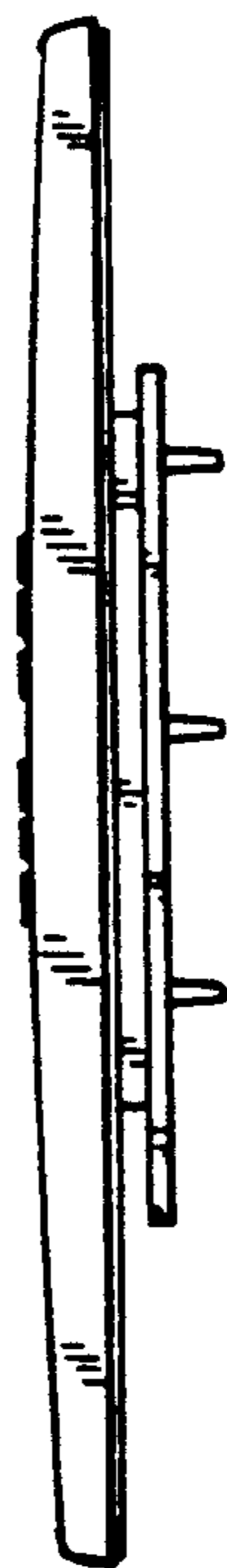
*Fig. 21*



*Fig. 22*



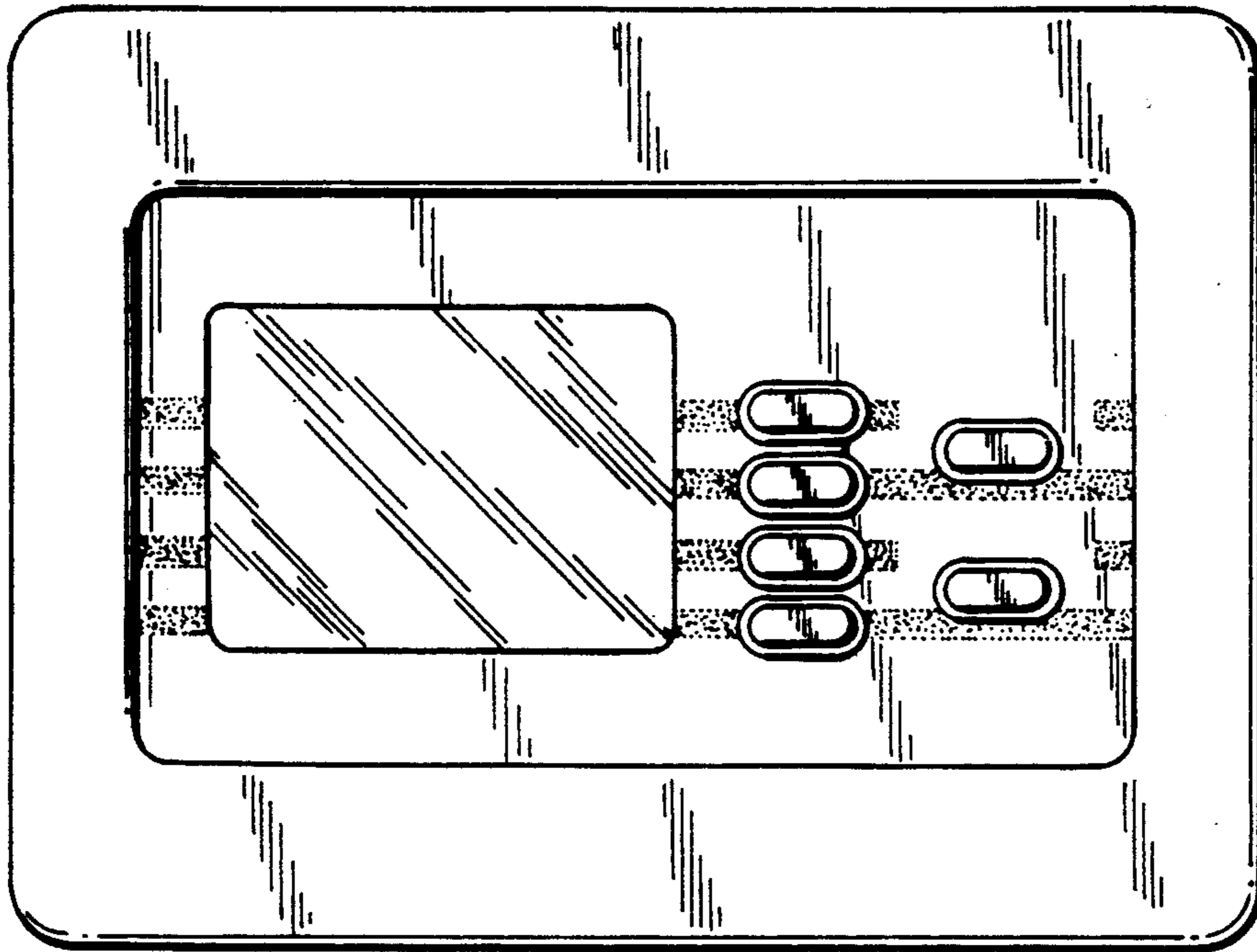
*Fig. 24*



*Fig. 23*



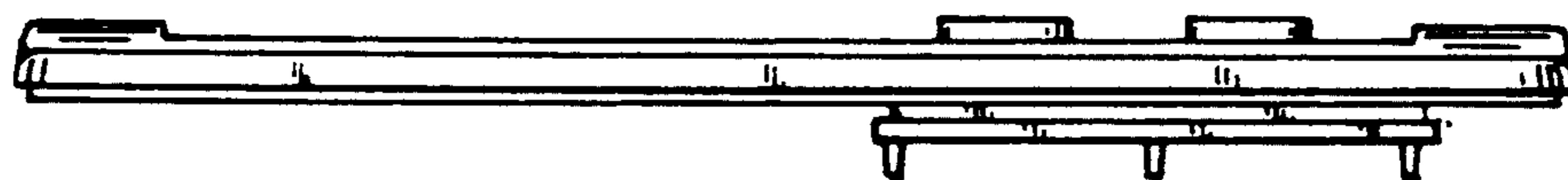




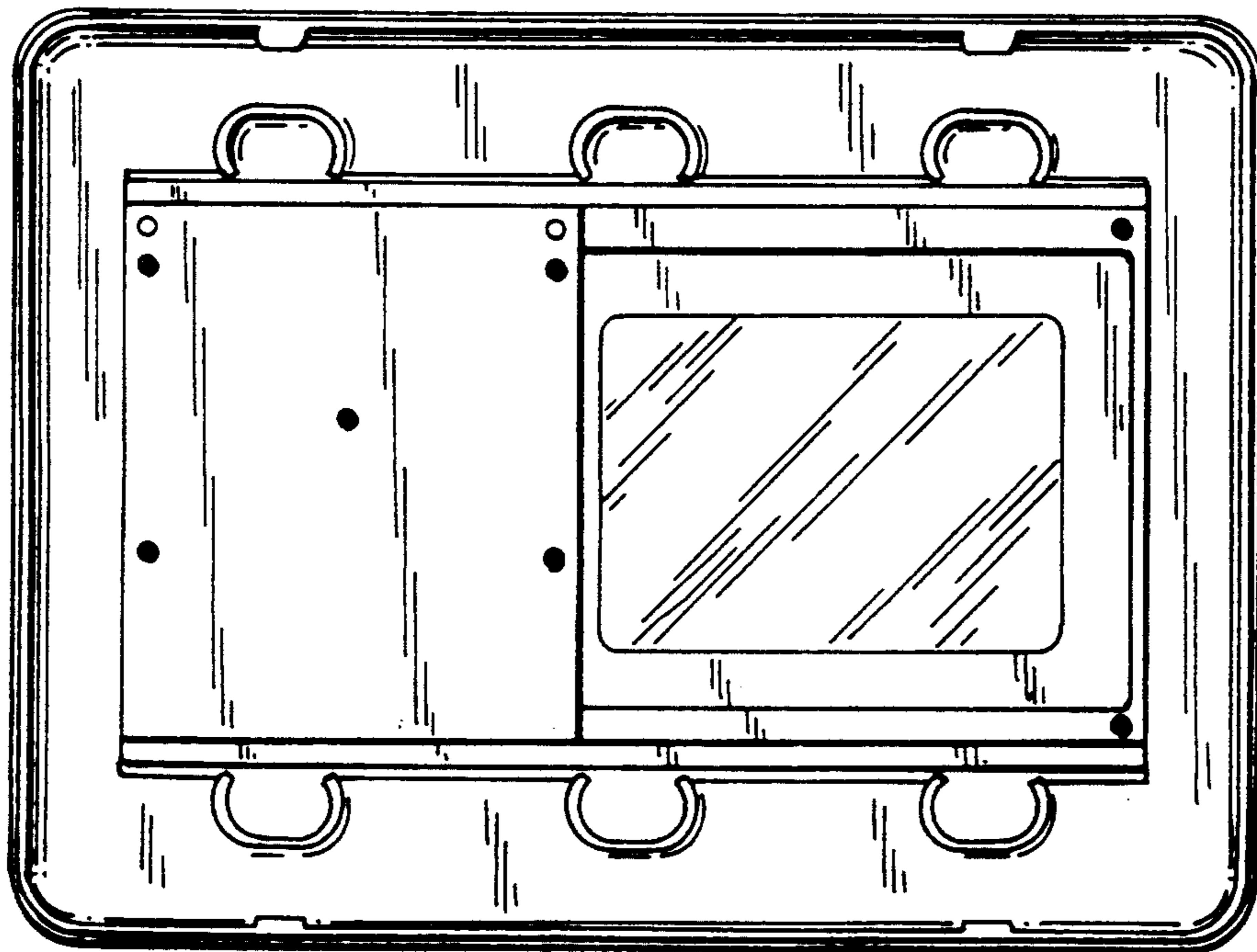
*Fig. 25*



*Fig. 26*



*Fig. 27*



*Fig. 28*