



US00D344672S

United States Patent [19]

[11] Patent Number: **Des. 344,672**

Current

[45] Date of Patent: **** Mar. 1, 1994**

[54] **CLAMP FOR A SIGN HOLDER**

[75] Inventor: **Wayne Current, Holmdel, N.J.**

[73] Assignee: **International Visual Corporation,
Port Washington, N.Y.**

[**] Term: **14 Years**

[21] Appl. No.: **819,506**

[22] Filed: **Jan. 10, 1992**

[52] U.S. Cl. **D8/373; D8/396**

[58] Field of Search **D8/373, 394, 396;
248/214, 229, 230, 231.5; D20/41**

| | | | |
|-----------|---------|---------------------|---------|
| 3,913,187 | 10/1975 | Okuda . | |
| 4,338,875 | 7/1982 | Lisowski . | |
| 4,546,949 | 10/1985 | Millett et al. | 248/230 |
| 4,677,780 | 7/1987 | Shuman . | |
| 4,880,195 | 11/1989 | Lepley . | |
| 4,881,301 | 11/1989 | Sweeney et al. . | |
| 5,042,769 | 8/1991 | Smed | 248/230 |
| 5,088,672 | 2/1992 | Neuendorf et al. . | |

FOREIGN PATENT DOCUMENTS

| | | |
|-----------|---------|------------------------|
| 3034546 | of 0000 | Fed. Rep. of Germany . |
| 3439418A1 | 2/1991 | Fed. Rep. of Germany . |
| 2500571 | 3/1989 | France . |

Primary Examiner—B. J. Bullock
Attorney, Agent, or Firm—Darby & Darby

[56] References Cited

U.S. PATENT DOCUMENTS

| | | | |
|------------|---------|-----------------------|--------|
| D. 201,387 | 6/1965 | Reeves | D8/394 |
| D. 286,371 | 10/1986 | Shuman . | |
| 1,217,838 | 2/1917 | Schmidt . | |
| 1,871,240 | 8/1932 | Scheller . | |
| 2,113,180 | 4/1938 | Klein . | |
| 2,496,478 | 2/1950 | Kinnebrew . | |
| 2,616,196 | 11/1952 | Sandahl, Jr. et al. . | |
| 3,030,681 | 4/1962 | Phillips . | |
| 3,102,352 | 9/1963 | White . | |
| 3,429,985 | 2/1969 | Czigler . | |
| 3,848,838 | 11/1974 | Thomas . | |
| 3,854,685 | 12/1974 | Parduhn . | |

[57] CLAIM

The ornamental design for a clamp for a sign holder, as shown and described.

DESCRIPTION

FIG. 1 is a front perspective view of a clamp for a sign holder embodying my new design; FIG. 2 is a right side elevational view thereof; FIG. 3 is a left side elevational view thereof; FIG. 4 is a front elevational view thereof the rear being a mirror image; FIG. 5 is a bottom plan view thereof; and, FIG. 6 is a top plan view thereof.

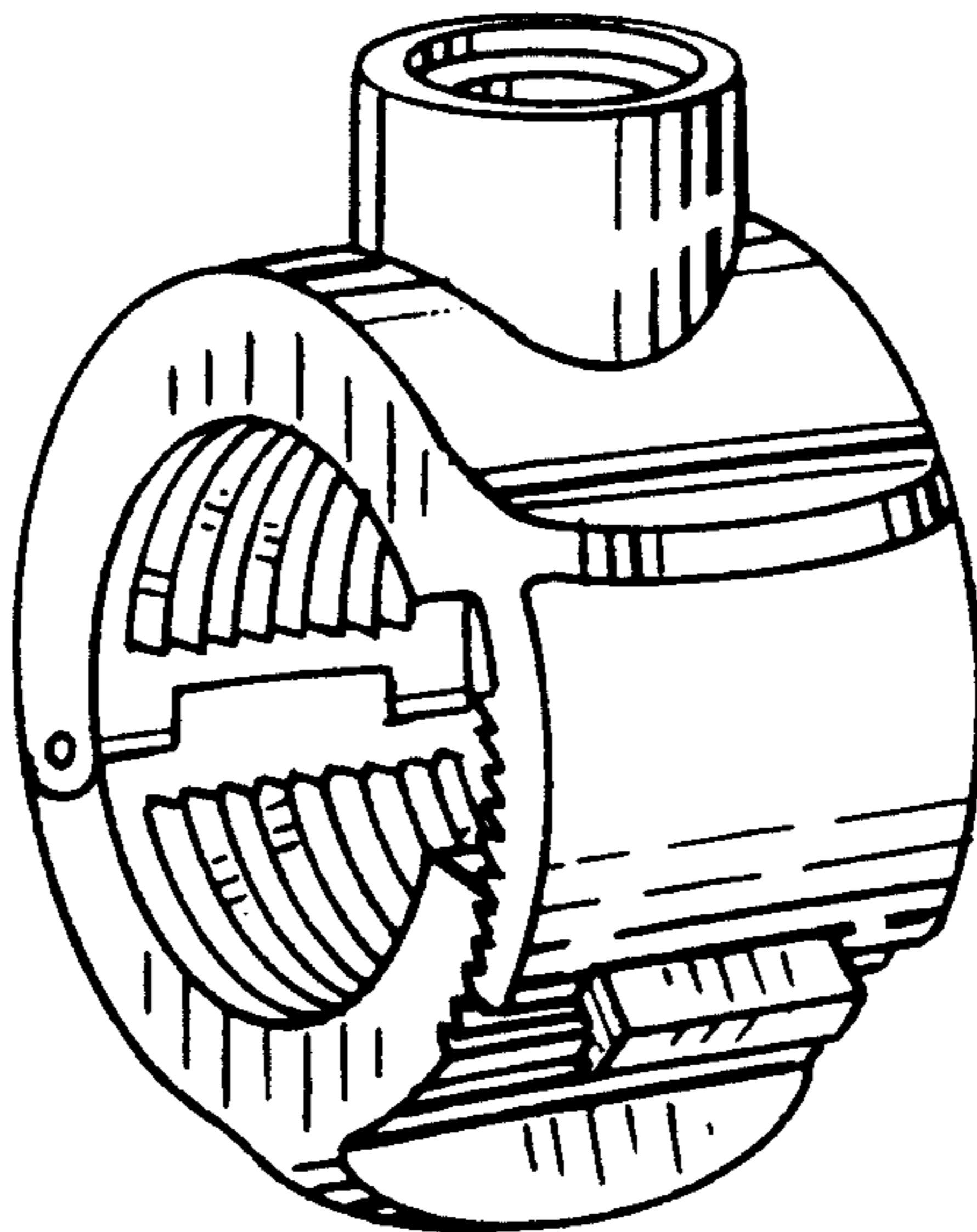


Fig. 1

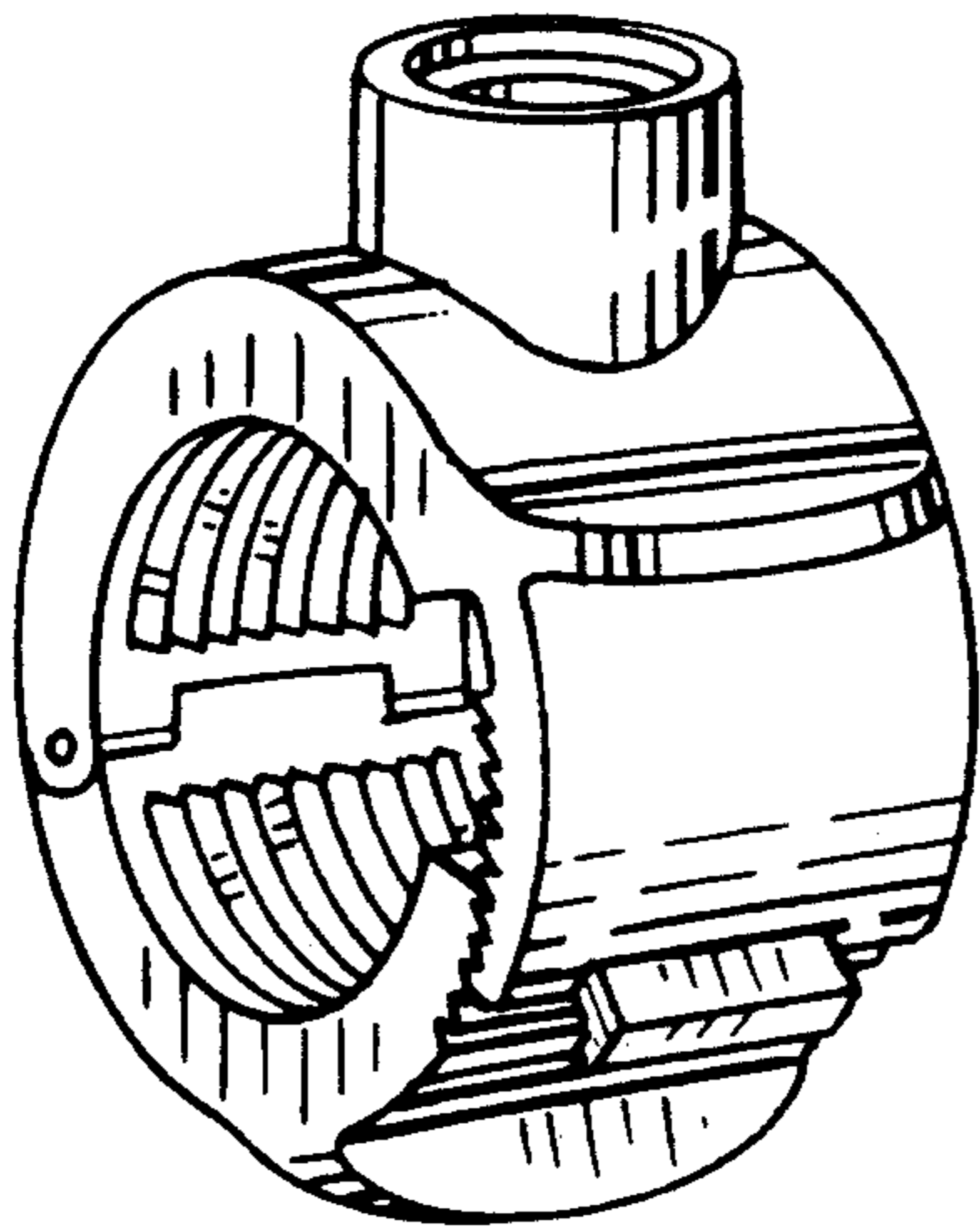


Fig. 2

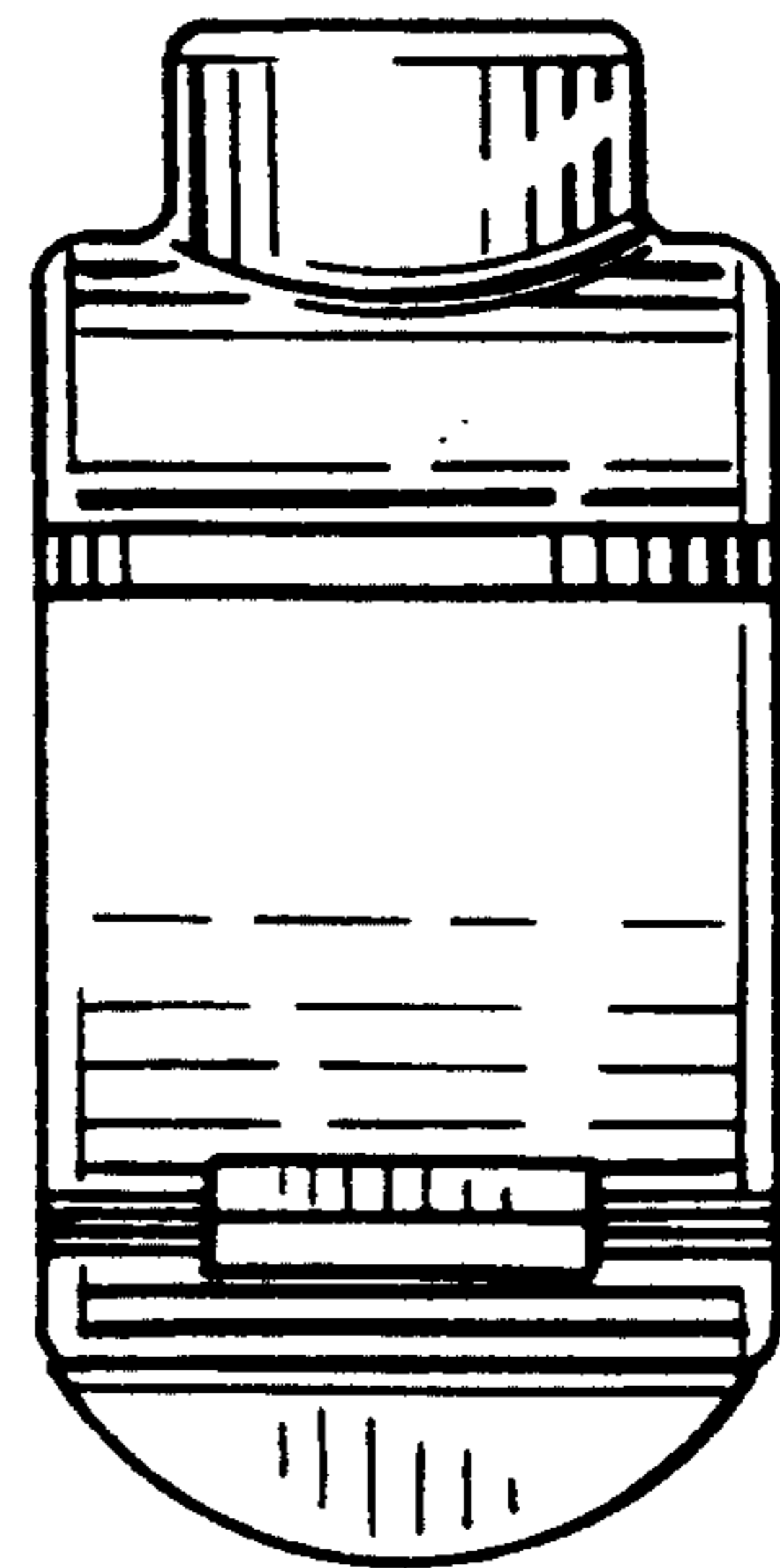


Fig. 3

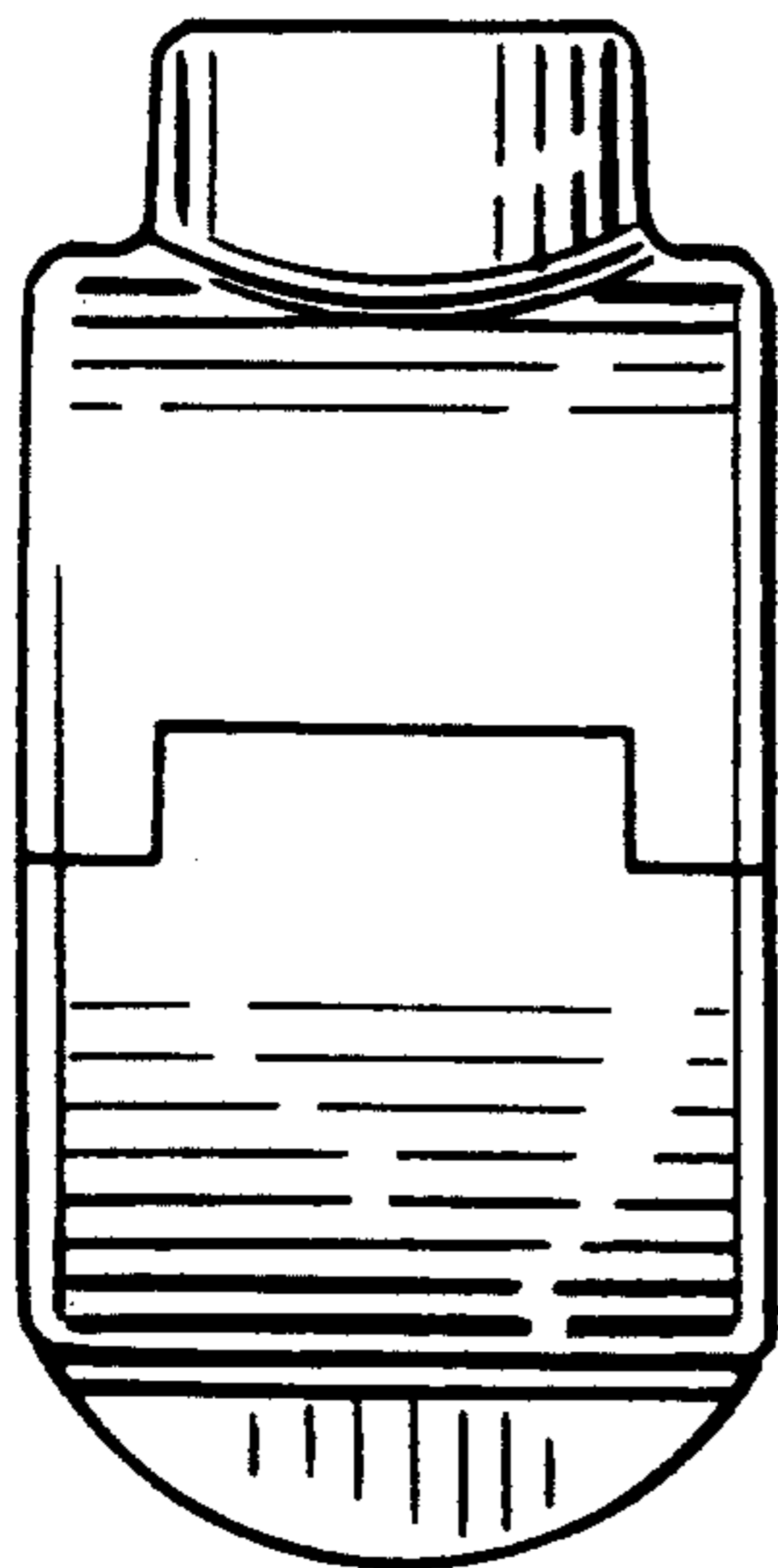


Fig. 4

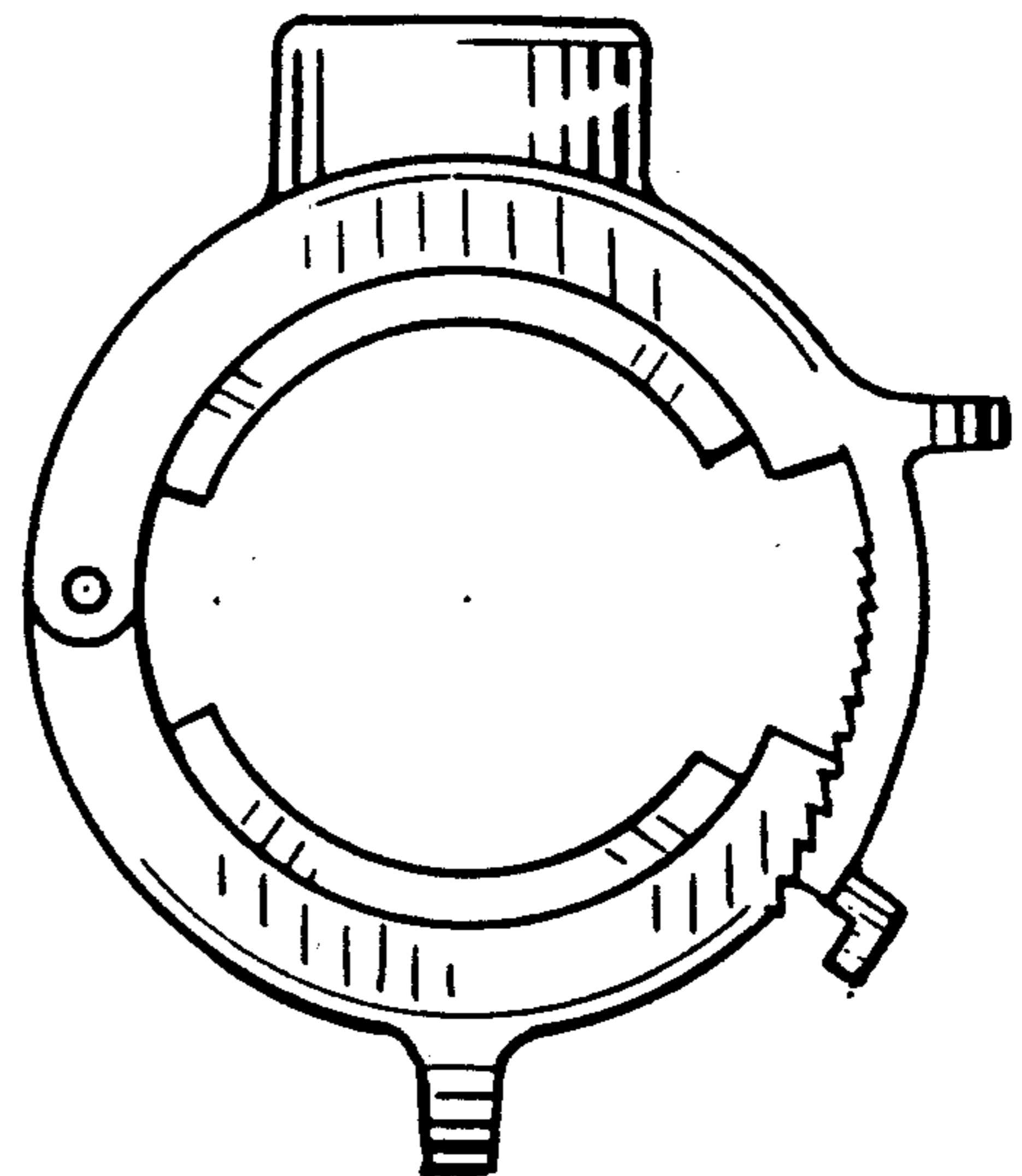


Fig. 5.

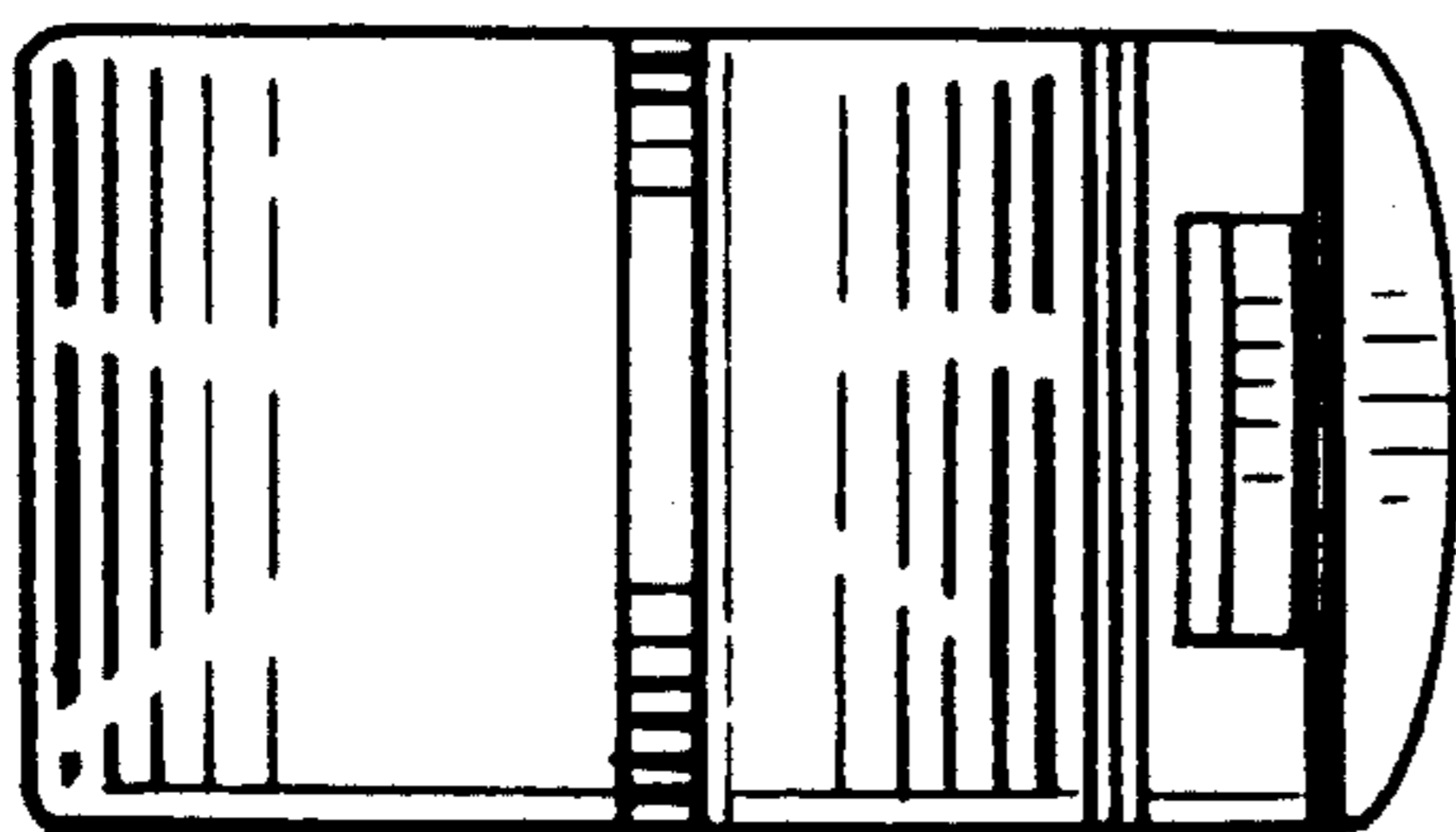


Fig. 6.

