



US00D344668S

United States Patent [19]

[11] Patent Number: Des. 344,668

Nicholoulas

[45] Date of Patent: ** Mar. 1, 1994

[54] **APPLIANCE SAFETY LATCH**

[76] Inventor: **Michael Nicholoulas**, 2407
Manchester Ave., Cardiff, Calif.
92007

[**] Term: **14 Years**

[21] Appl. No.: **828,643**

[22] Filed: **Jan. 31, 1992**

3,831,987	8/1974	Misenheimer .	
4,062,578	12/1977	Chen	292/262
4,132,440	1/1979	Johnson	292/DIG. 71
4,261,605	4/1981	Hock	292/228
4,290,663	9/1981	Sullivan .	
4,469,358	9/1984	Abbott .	
4,647,091	3/1987	Roubin .	
4,648,637	3/1987	Walter .	

Primary Examiner—Brian N. Vinson
Attorney, Agent, or Firm—Calif Tervo

Related U.S. Application Data

[63] Continuation-in-part of Ser. No. 548,738, Jul. 5, 1990, Pat. No. Des. 326,402, which is a continuation-in-part of Ser. No. 632,510, Dec. 24, 1990, Pat. No. Des. 324,637.

[52] U.S. Cl. **D8/331**

[58] Field of Search **D8/330-331, D8/339, 342, 344, 382, 336; 292/281-287, DIG. 12, DIG. 38, DIG. 69, DIG. 71, 288, 262, 228**

[57] **CLAIM**

The ornamental design for a appliance safety latch, as shown and described.

DESCRIPTION

FIG. 1 is a top, front, and left side perspective view of an appliance safety latch showing my new design, the broken-line disclosure of a refrigerator being for illustrative purposes only and forming no part of the claimed design;

FIG. 2 is an enlarged top, front, and right side perspective view thereof;

FIG. 3 is an enlarged right side elevational view thereof;

FIG. 4 is an enlarged left side elevational view thereof;

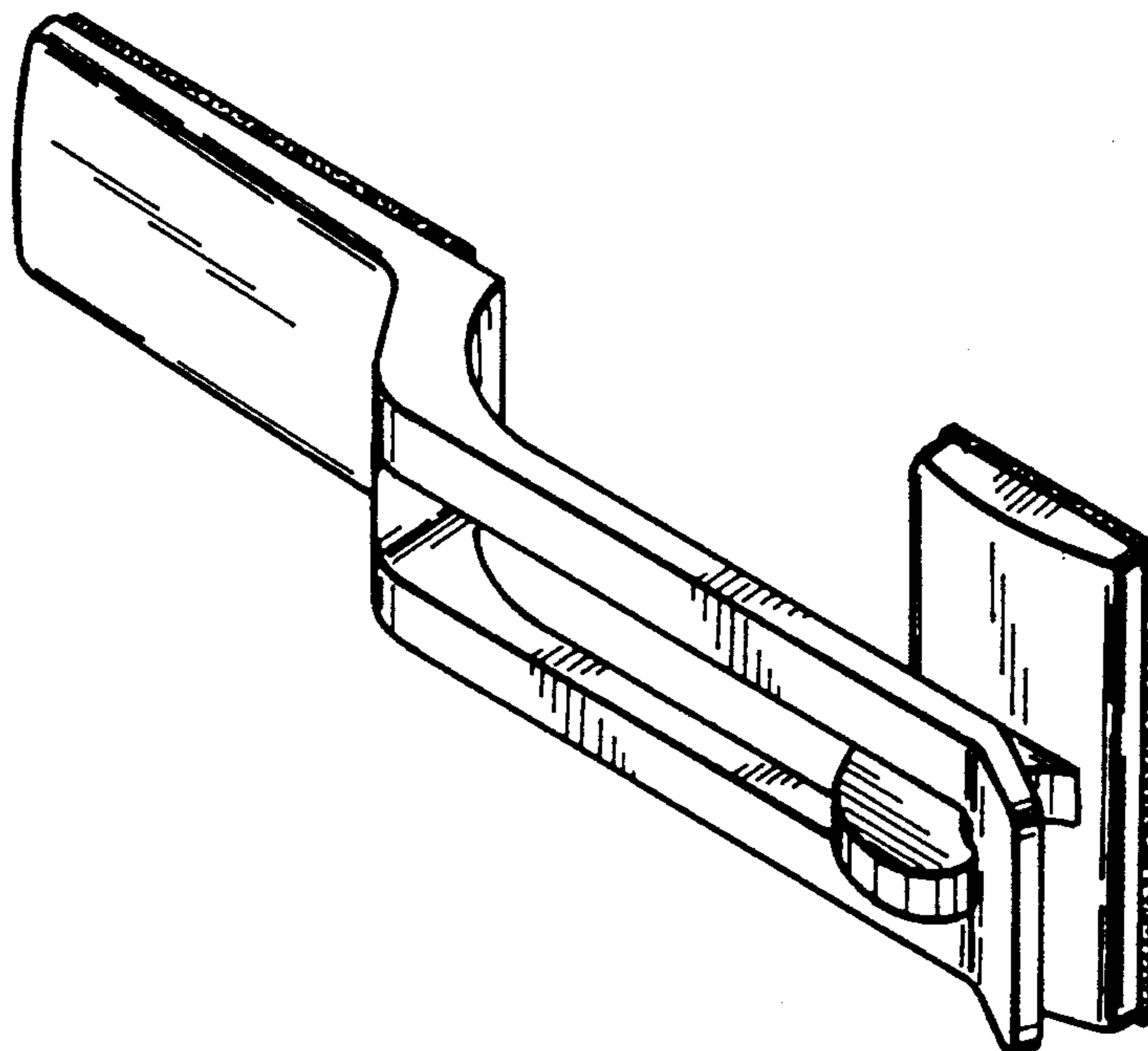
FIG. 5 is an enlarged bottom plan view thereof; and,

FIG. 6 is an enlarged rear elevational view thereof.

[56] **References Cited**

U.S. PATENT DOCUMENTS

D. 228,277	9/1973	Foote	D8/336
D. 229,479	12/1973	Borsani	D8/336 X
D. 242,596	12/1976	Munson	D8/339



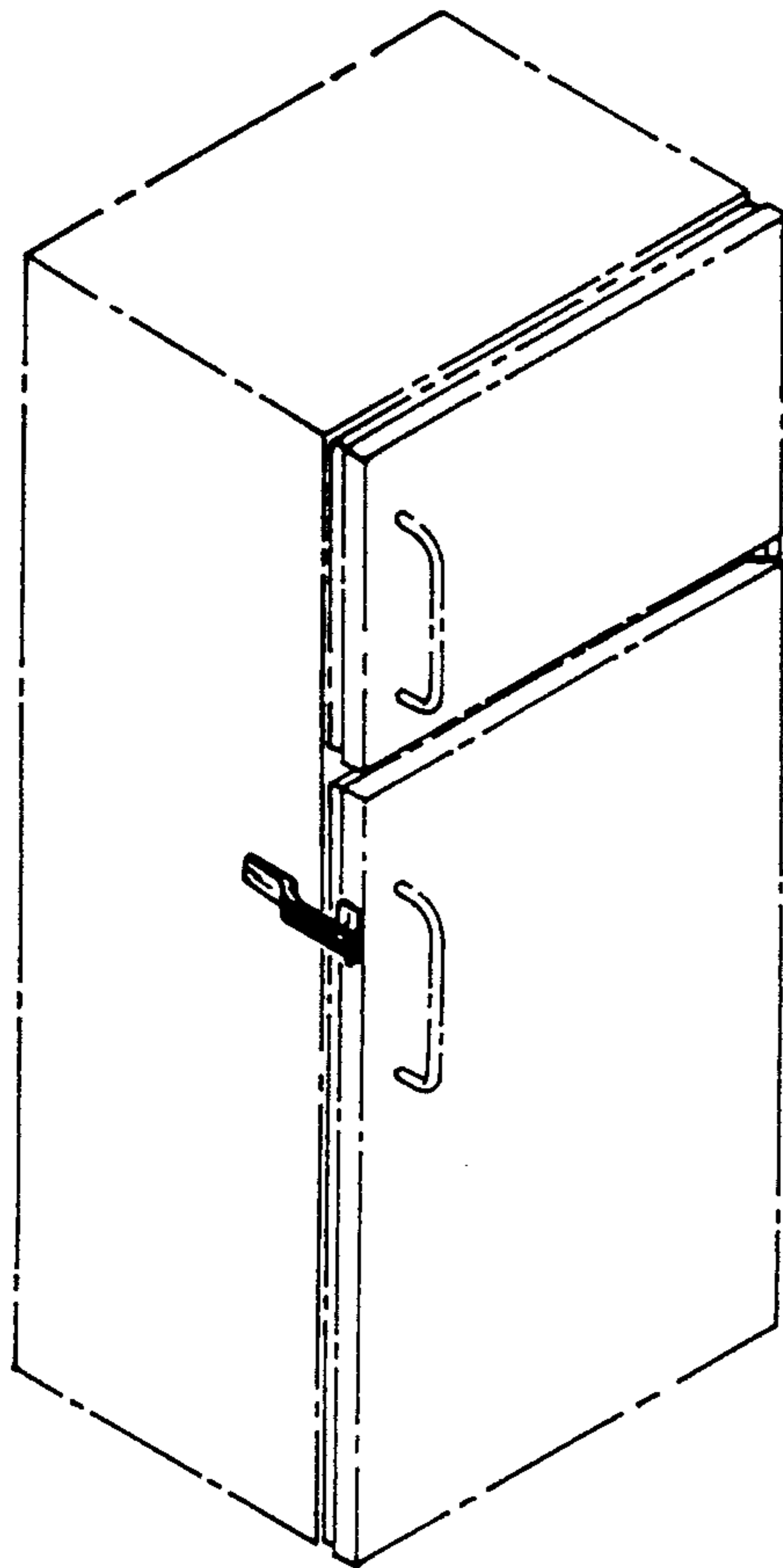


Fig. 1

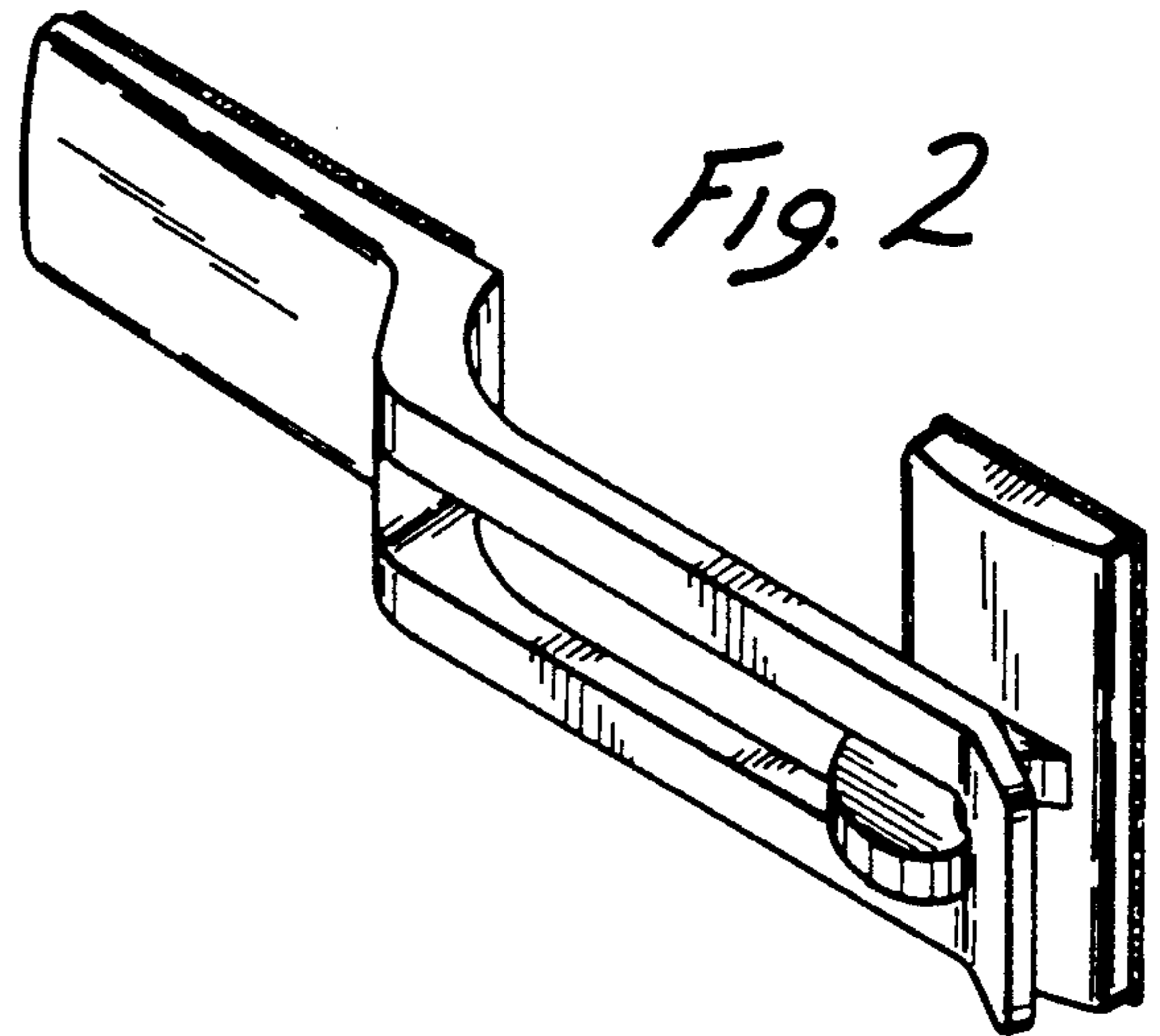


Fig. 2

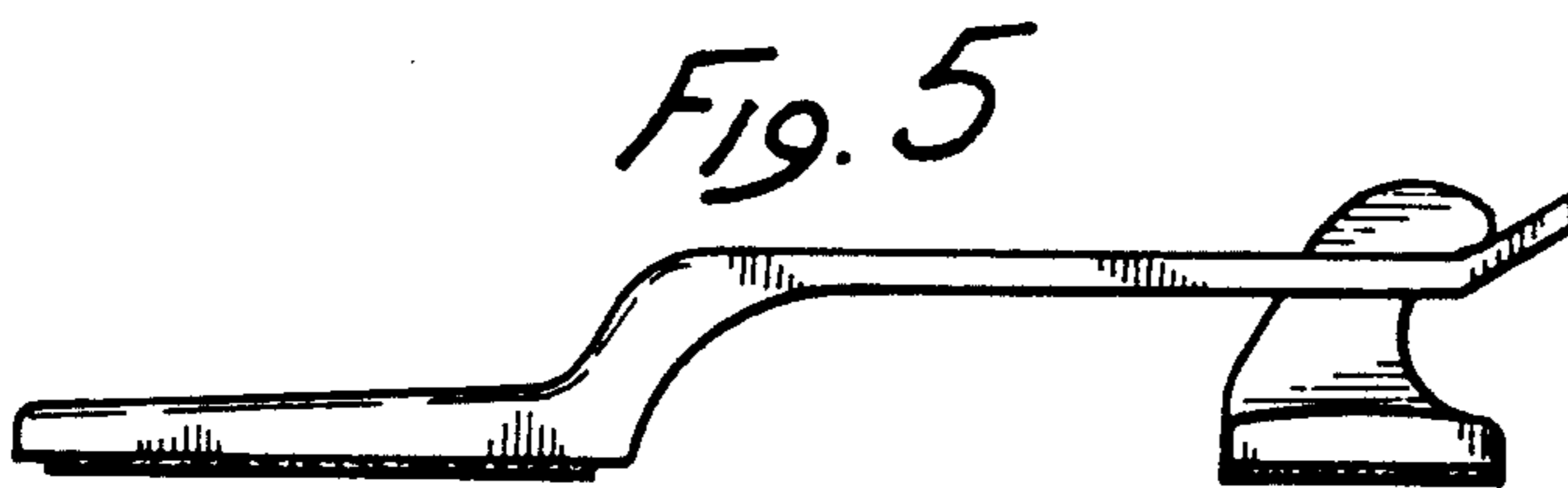


Fig. 5

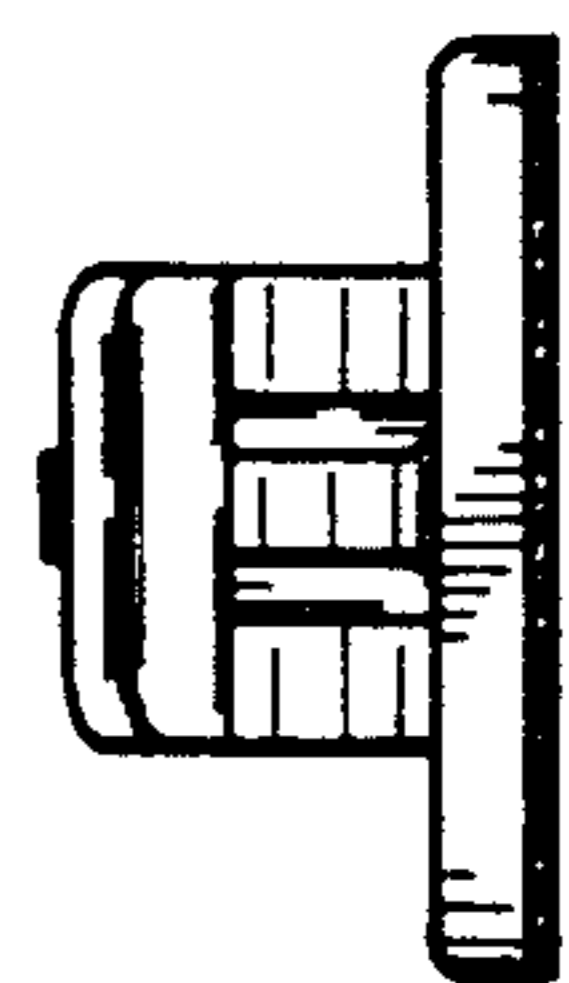


Fig. 3

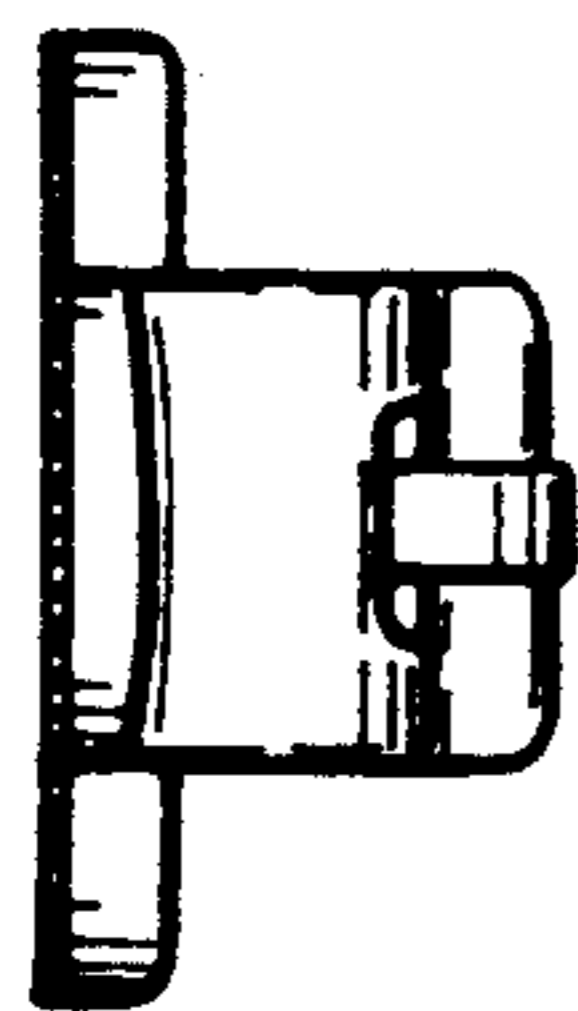


Fig. 4

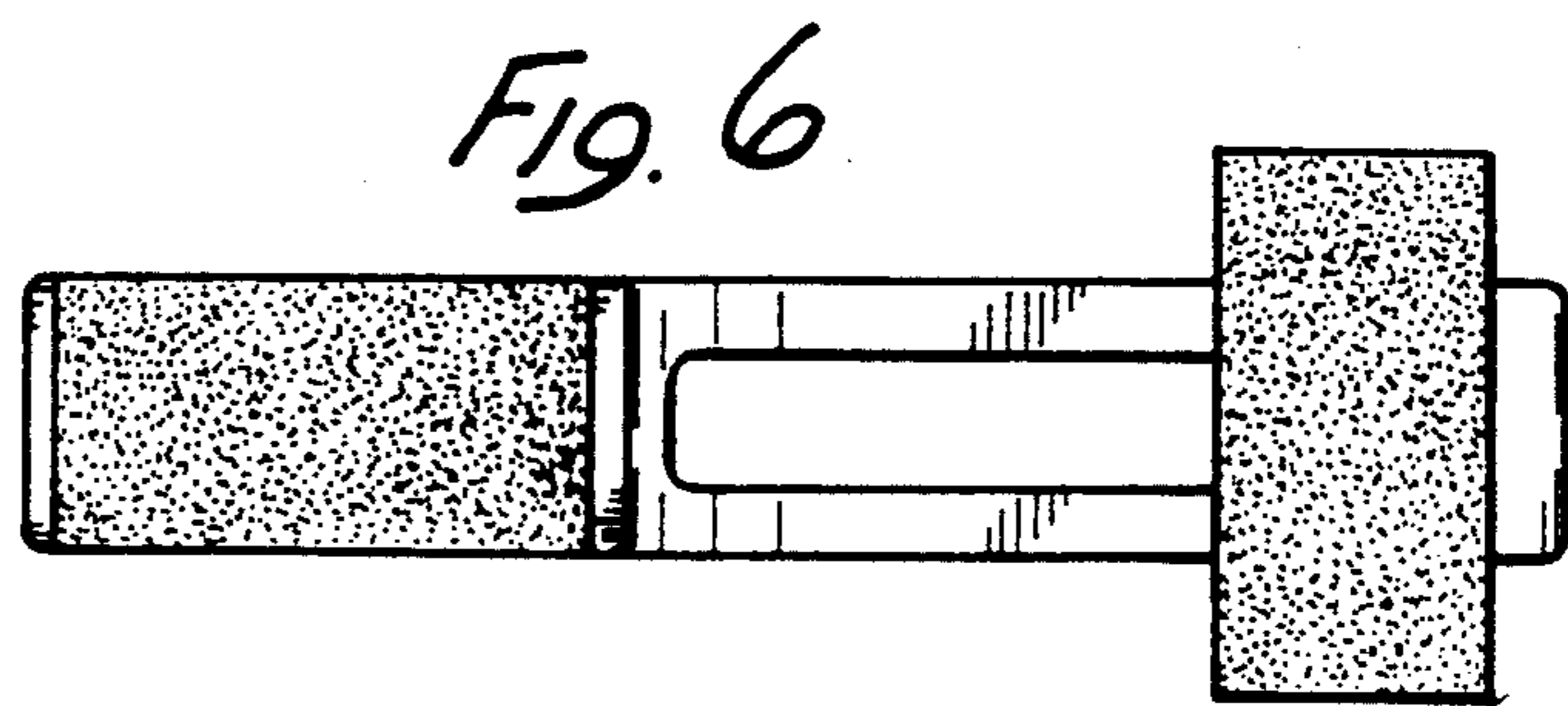


Fig. 6