



US00D344664S

United States Patent [19]
Malkinson

[11] **Patent Number: Des. 344,664**

[45] **Date of Patent: ** Mar. 1, 1994**

[54] **SCREW DRIVER**

[76] **Inventor: Paul K. Malkinson, 4648 Kensington Place, Delta, British Columbia, Canada**

[**] **Term: 14 Years**

[21] **Appl. No.: 788,722**

[22] **Filed: Nov. 6, 1991**

[52] **U.S. Cl. D8/85**

[58] **Field of Search D8/82, 83, 84, 85, 86, D8/87; 7/165; 81/436, 437, 438, 439**

[56] **References Cited**

U.S. PATENT DOCUMENTS

D. 26,157	10/1896	Lee	D8/85
D. 56,812	12/1920	Harris	D8/85
D. 229,390	11/1973	Hart	D8/85
2,788,816	4/1957	Dargols	7/165
4,003,418	1/1977	Andersson	D8/85

Primary Examiner—Bernard Ansher
Assistant Examiner—Philip Hyder

Attorney, Agent, or Firm—Hughes & Multer

[57] **CLAIM**

The ornamental design for a screw driver, as shown and described.

DESCRIPTION

FIG. 1 is an isometric view of a first embodiment of the screw driver;
 FIG. 2 is a top plan view thereof;
 FIG. 3 is a front elevational view thereof;
 FIG. 4 is a left side elevational view of FIG. 2;
 FIG. 5 is a right side elevational view of FIG. 2;
 FIG. 6 is a rear elevational view of FIG. 3;
 FIG. 7 is a bottom plan view thereof;
 FIG. 8 is an isometric view of a second embodiment of the screw driver;
 FIG. 9 is a top plan view thereof;
 FIG. 10 is a front elevational view thereof;
 FIG. 11 is a left side elevational view of FIG. 9;
 FIG. 12 is a right side elevational view of FIG. 9;
 FIG. 13 is a rear elevational view of FIG. 10; and,
 FIG. 14 is a bottom plan view thereof.

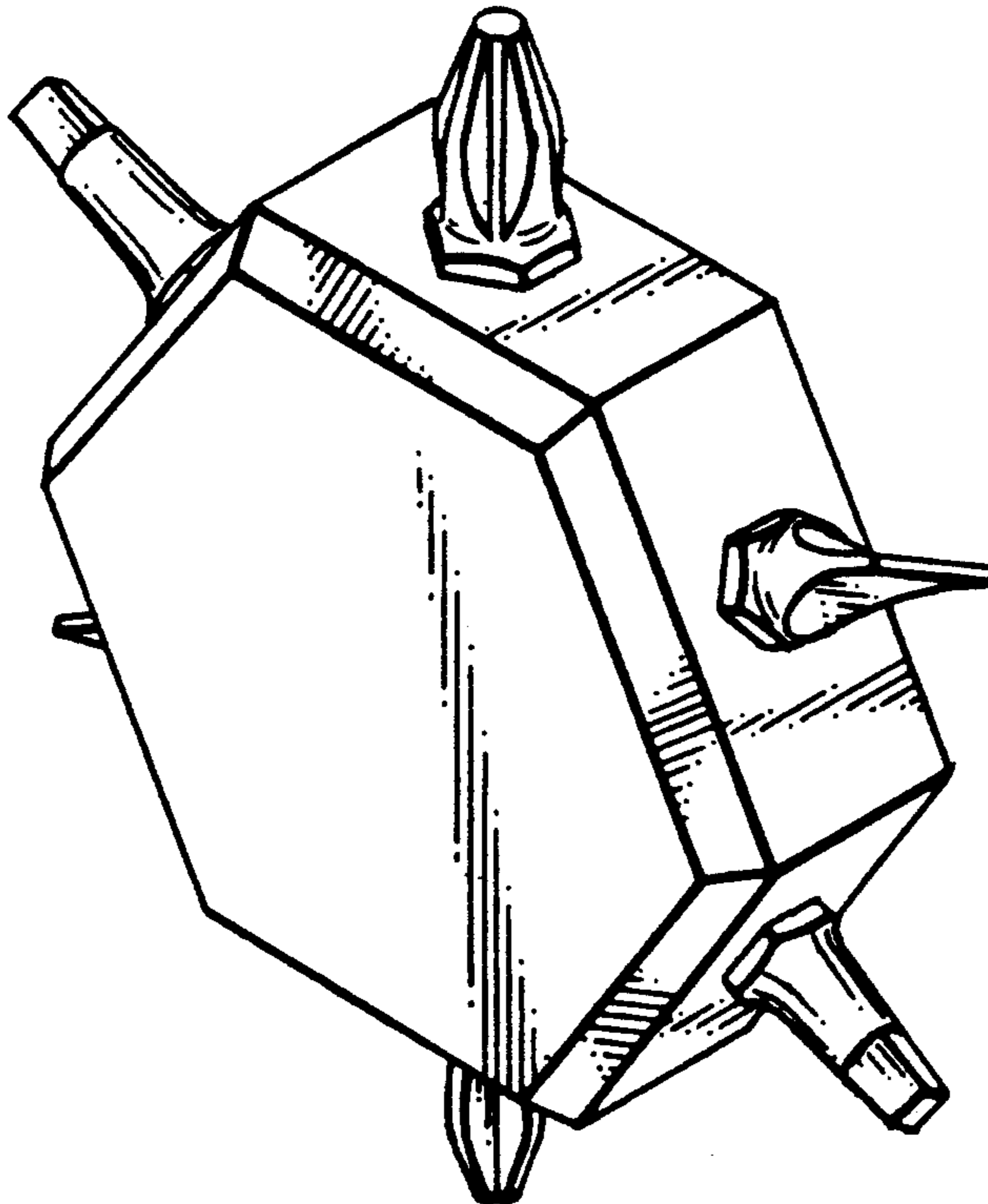


FIG. 1

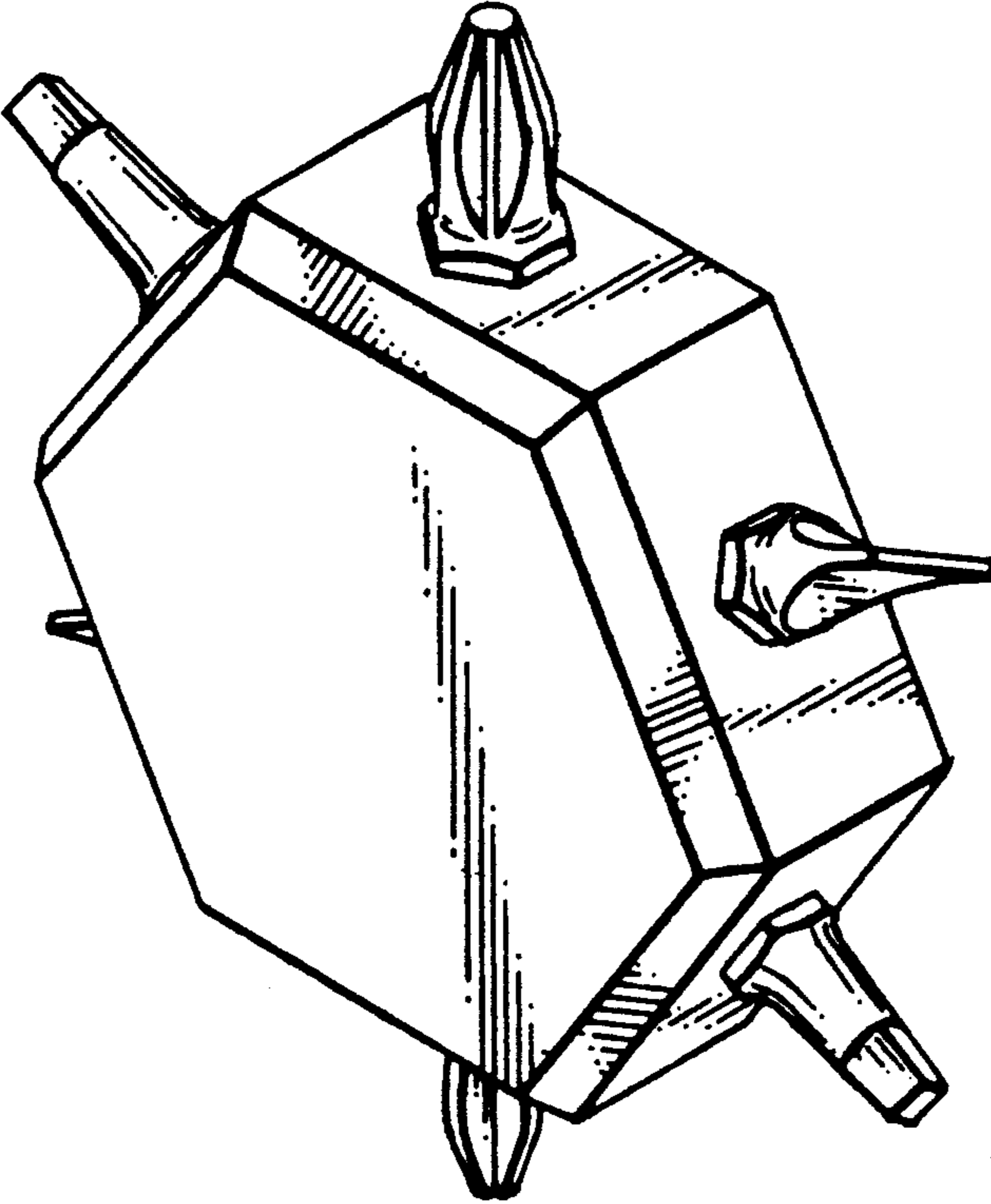


FIG. 2

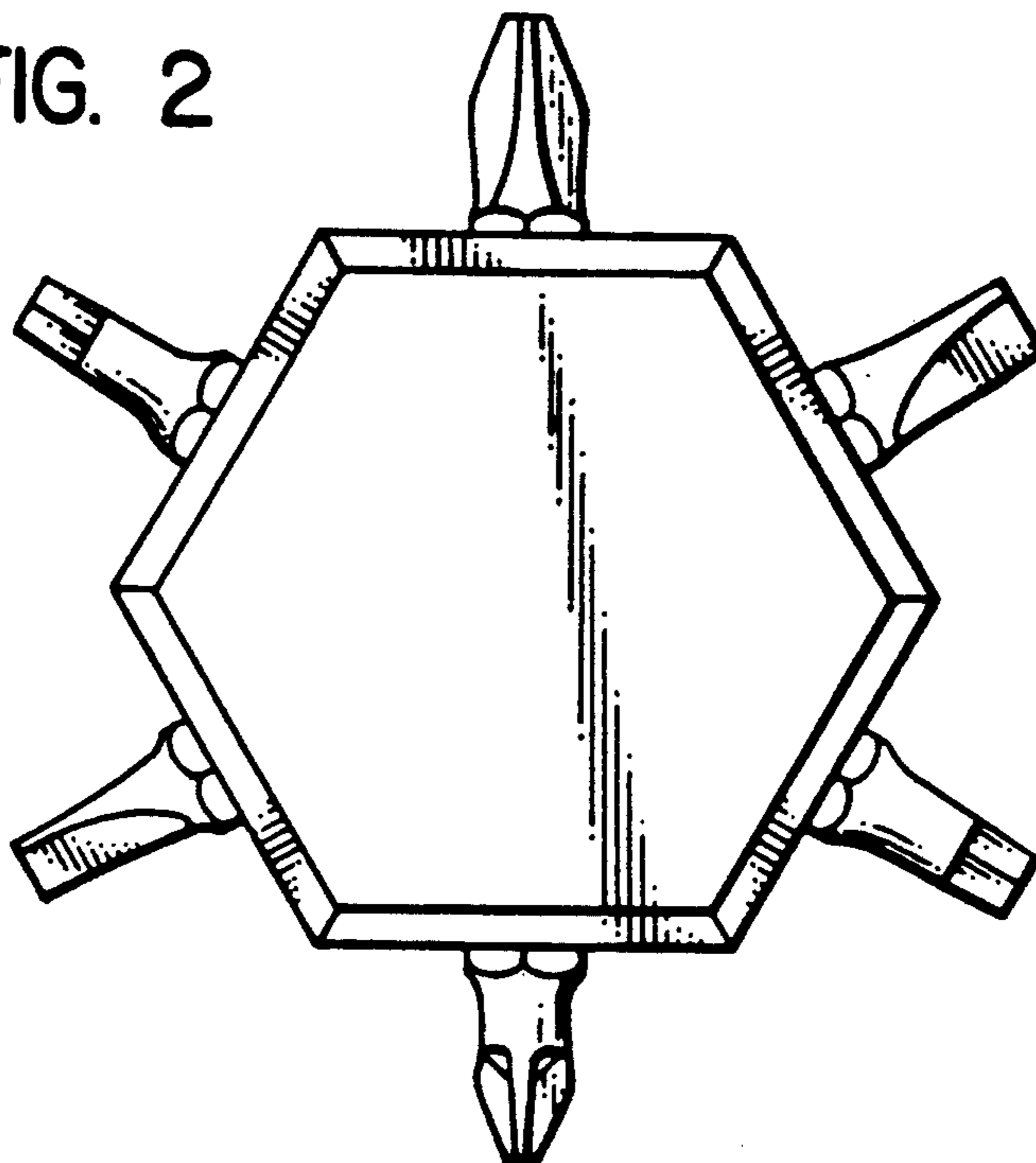


FIG. 3

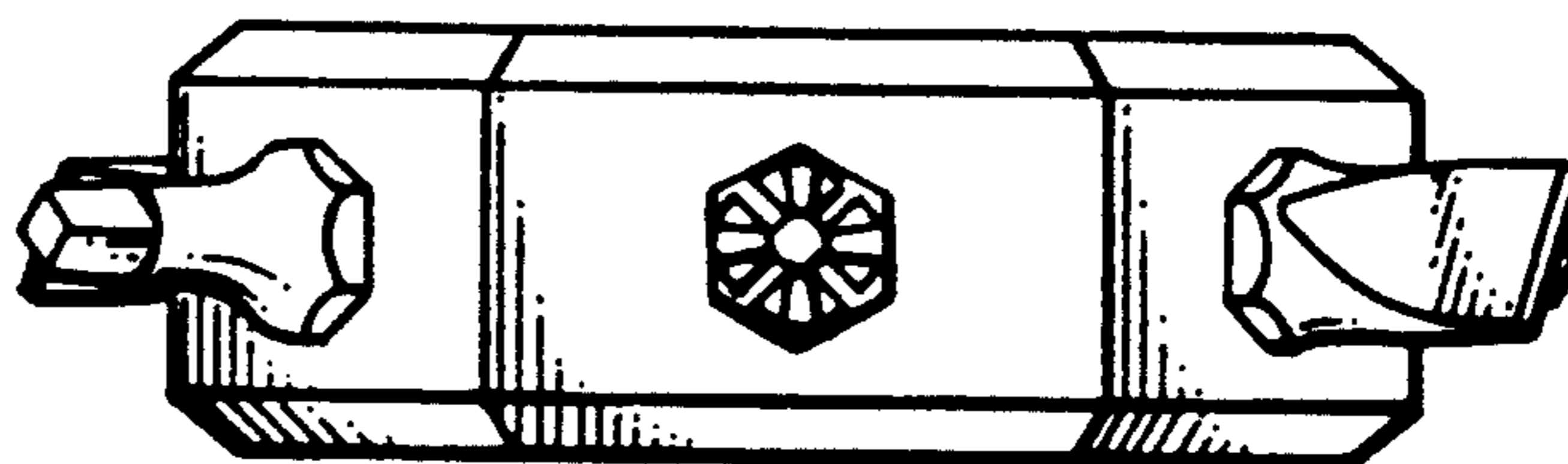


FIG. 4

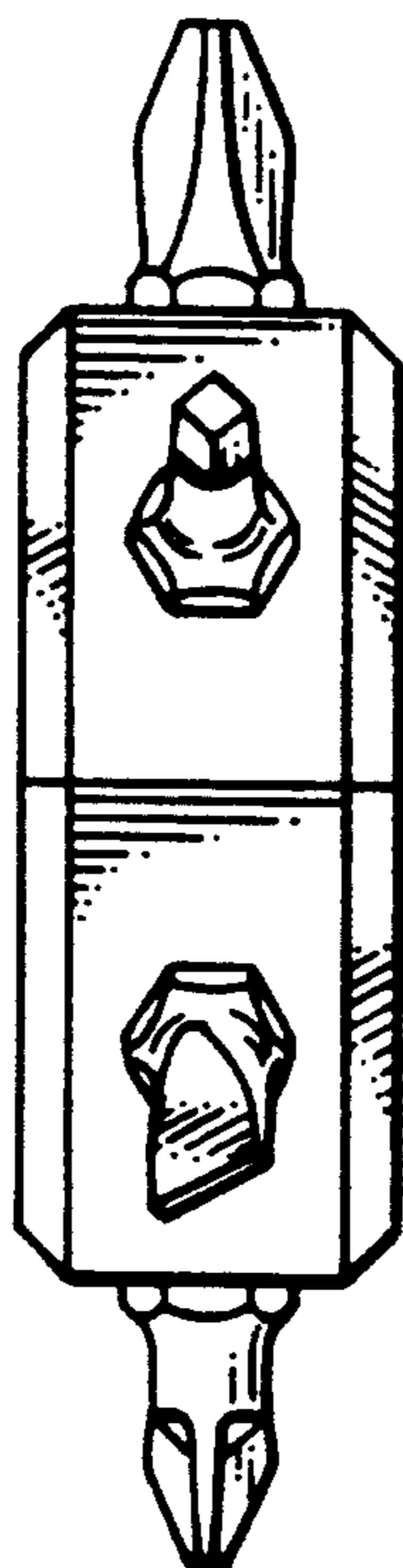


FIG. 5

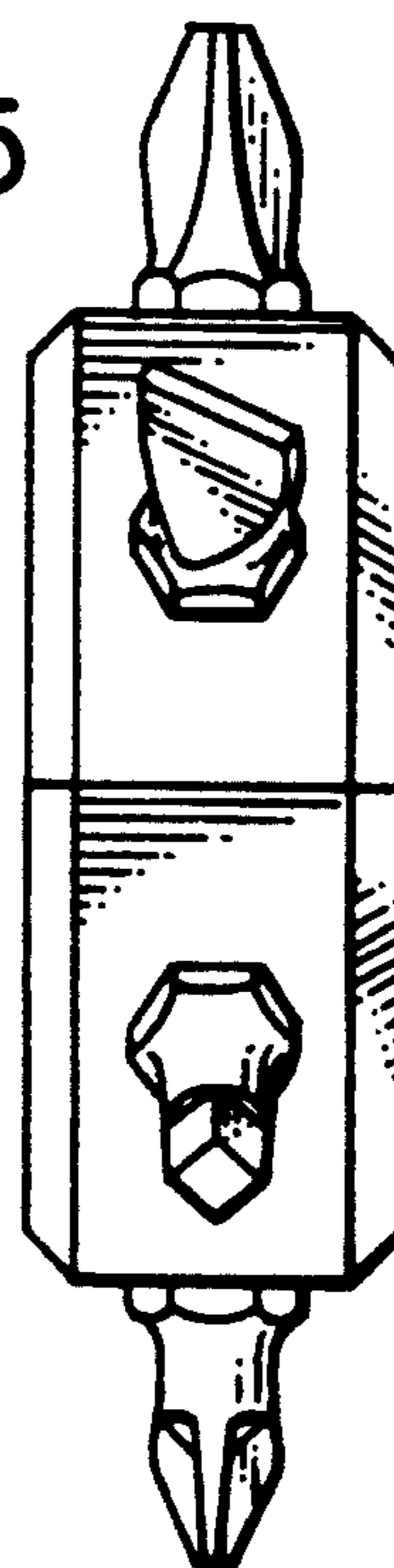


FIG. 6

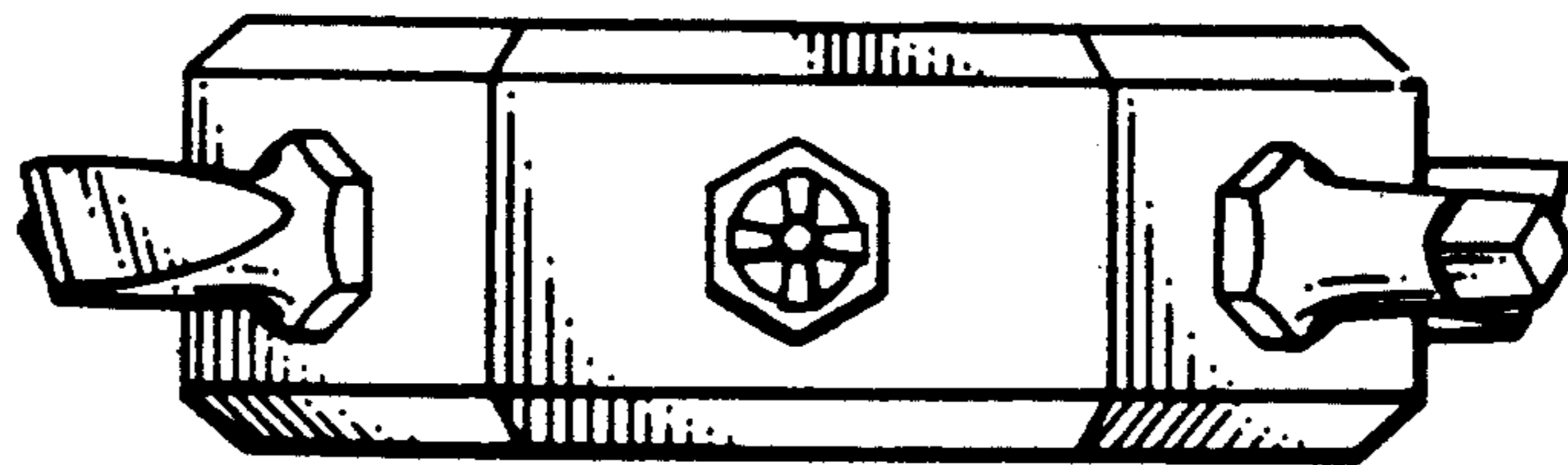


FIG. 7

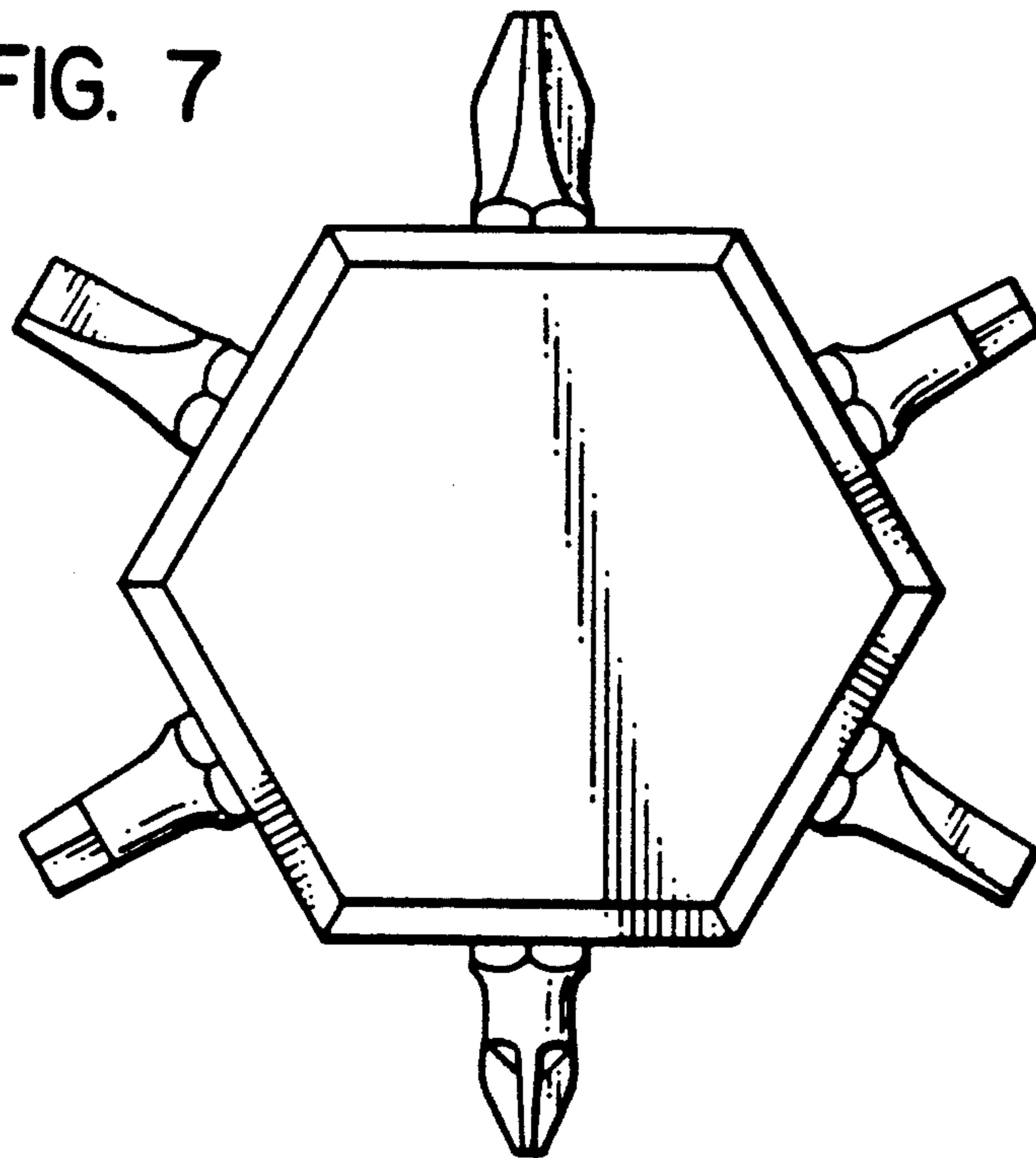


FIG. 8

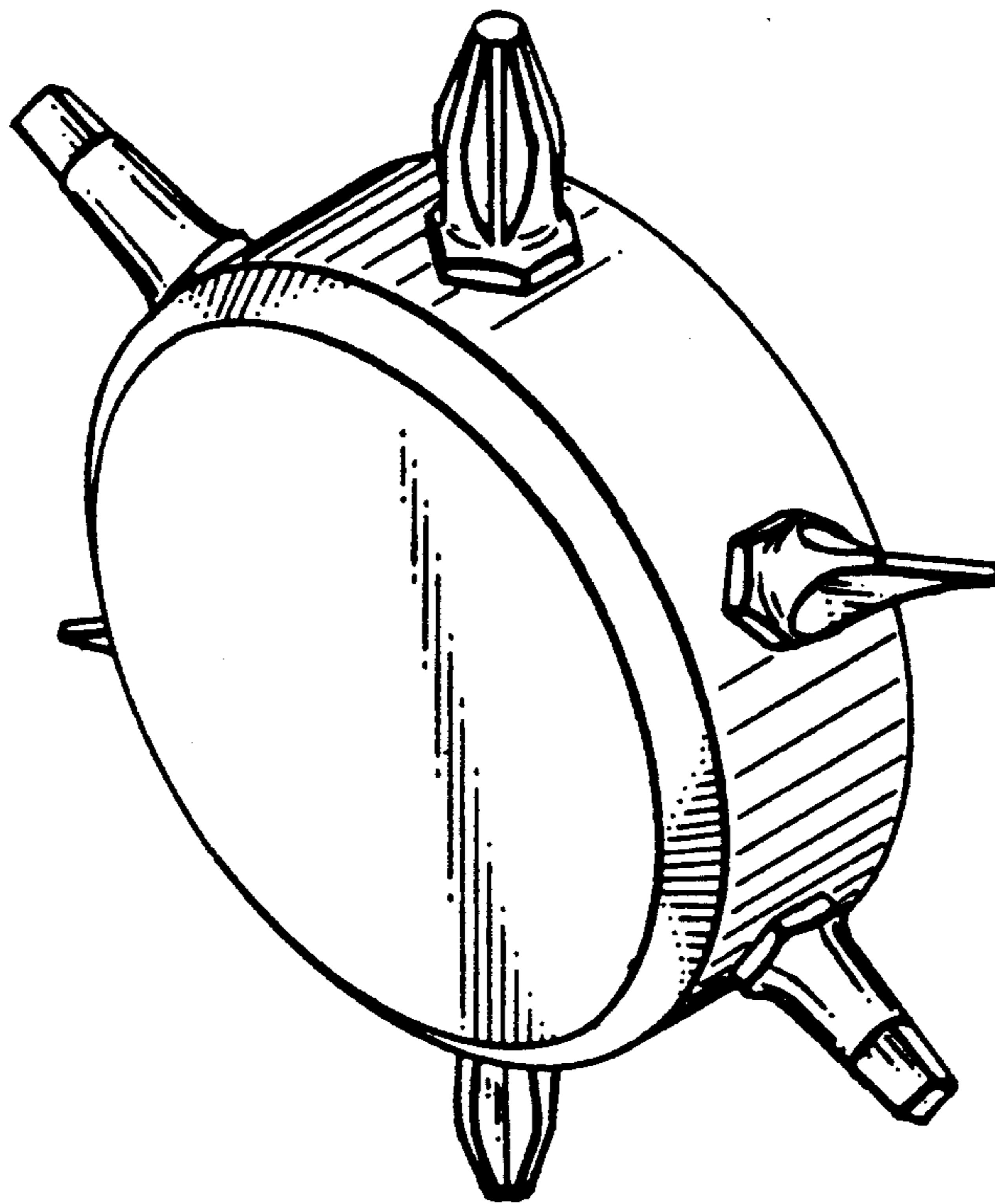


FIG. 9

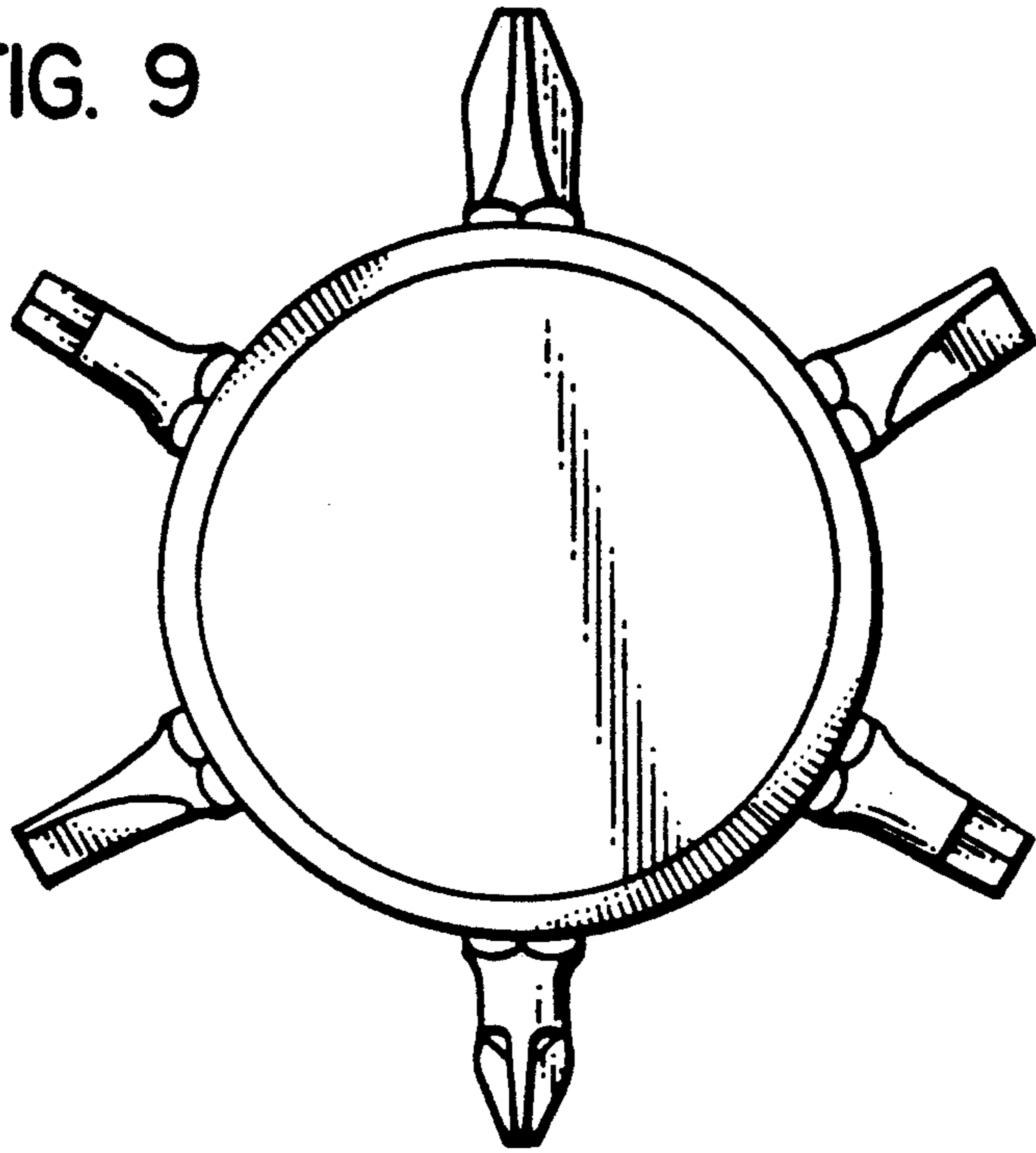


FIG. 10

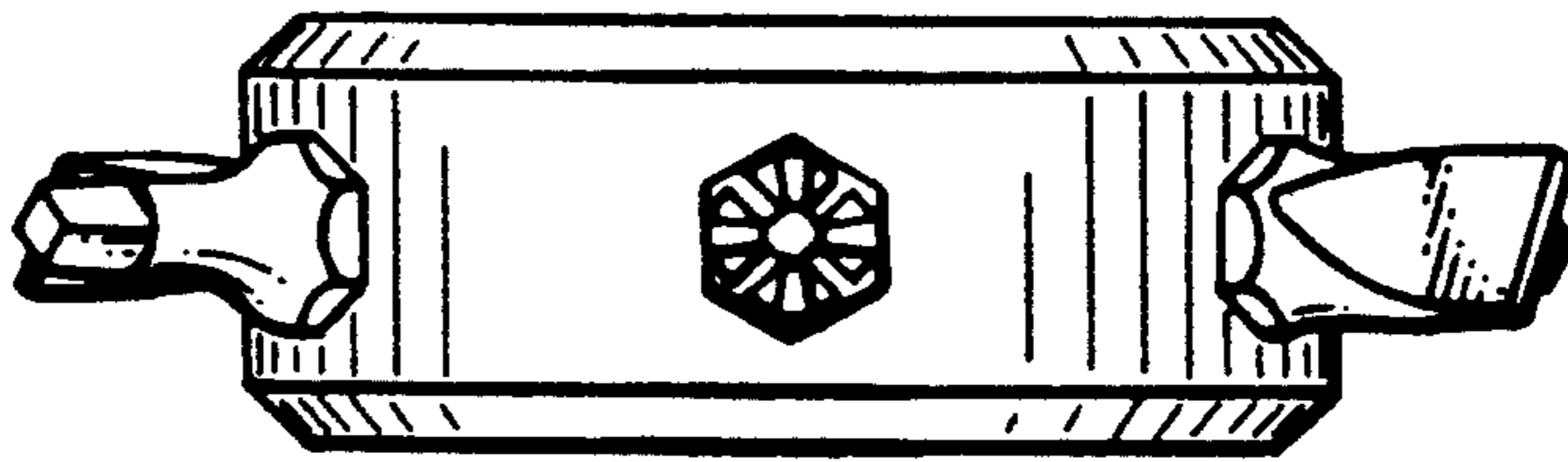


FIG. 11

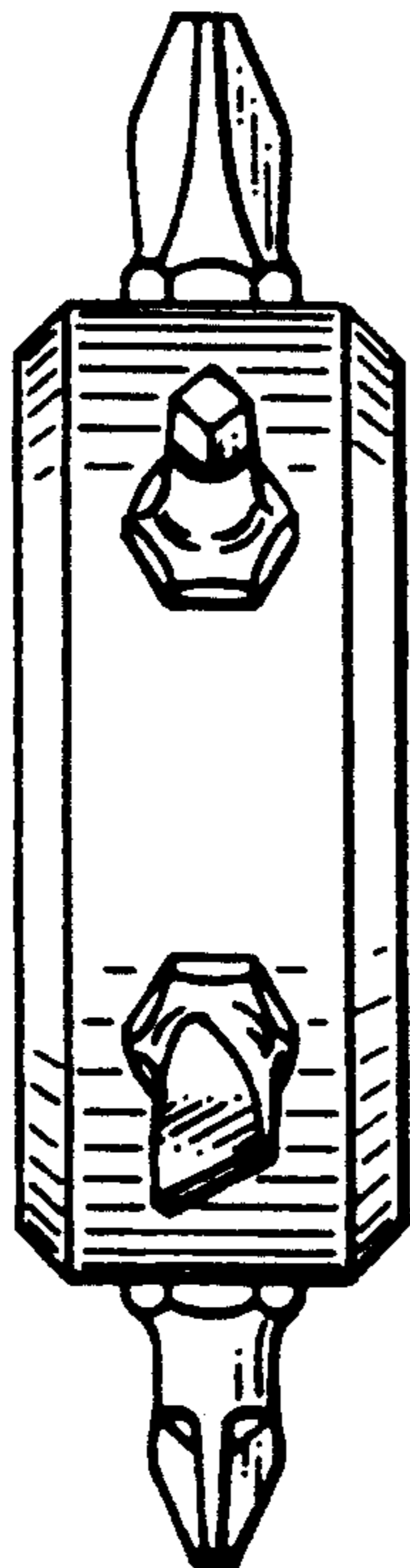


FIG. 12

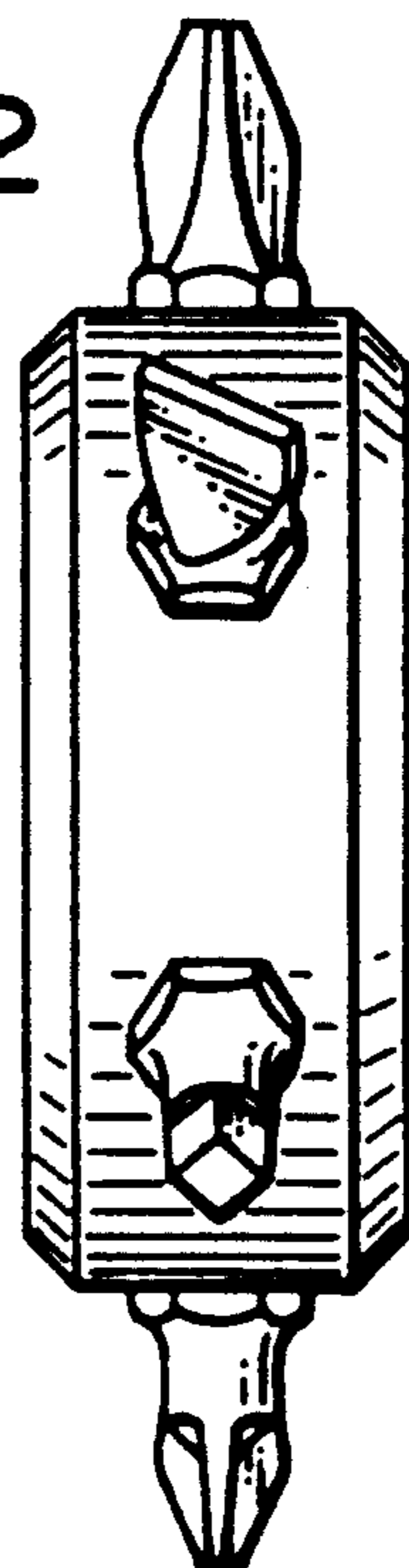


FIG. 13

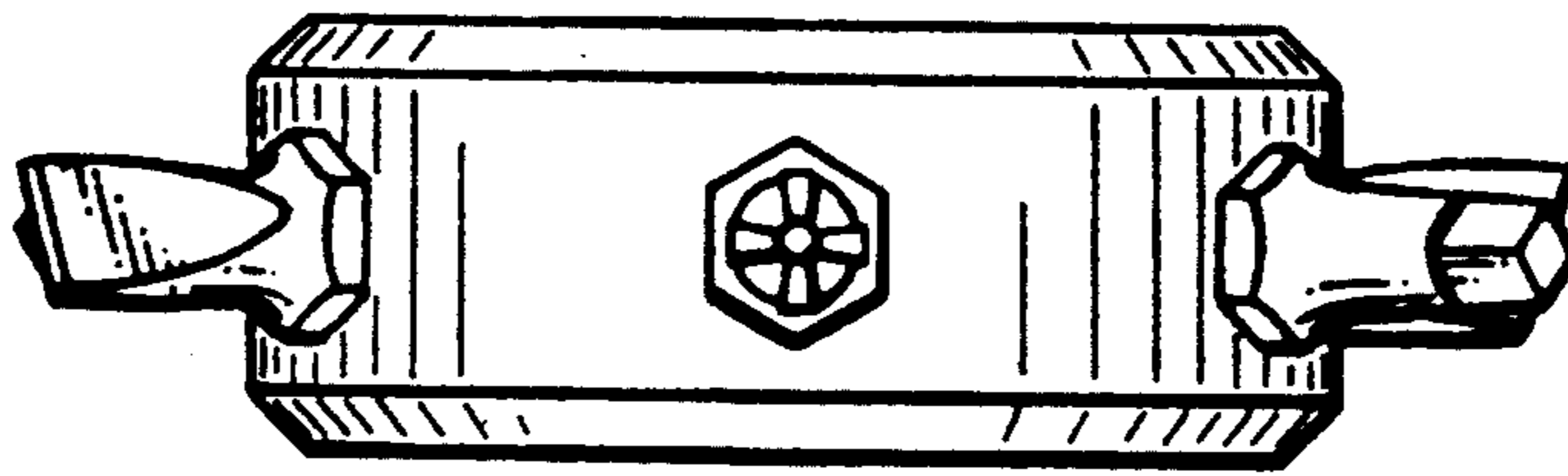


FIG. 14

