



US00D344662S

United States Patent [19]

Dittman

[11] Patent Number: **Des. 344,662**

[45] Date of Patent: **** Mar. 1, 1994**

[54] **TOOL FOR GRASPING ROUND KNOBS**

[76] Inventor: **Sydney C. Dittman**, 5838 Indian Trail, Houston, Tex., by Ralph E. Dittman, parent

[**] Term: **14 Years**

[21] Appl. No.: **868,258**

[22] Filed: **Apr. 14, 1992**

[52] U.S. Cl. **D8/14**

[58] Field of Search **D8/14, 308, 321; 16/114, 121, DIG. 30; 74/557; 292/347; 118/505; 294/1.1**

3,909,055	9/1975	Koppel	294/64 R
3,960,396	6/1976	Miyahara	16/DIG. 30
4,248,465	2/1981	Halstead	294/19.1
4,266,320	5/1981	Grant	16/114
4,327,663	5/1982	Izzo	118/505
4,397,489	8/1983	Lind	292/347
4,504,087	3/1985	Pennington	16/114 R
4,605,124	8/1986	Sandel et al.	16/114 R
4,679,556	7/1987	Lubbock	294/19.1
4,783,883	11/1988	Szalay	16/114 R
4,971,375	11/1990	Grecco	292/347

Primary Examiner—Bernard Ansher
Assistant Examiner—Philip Hyder
Attorney, Agent, or Firm—Pravel, Hewitt, Kimball & Krieger

[56] **References Cited**

U.S. PATENT DOCUMENTS

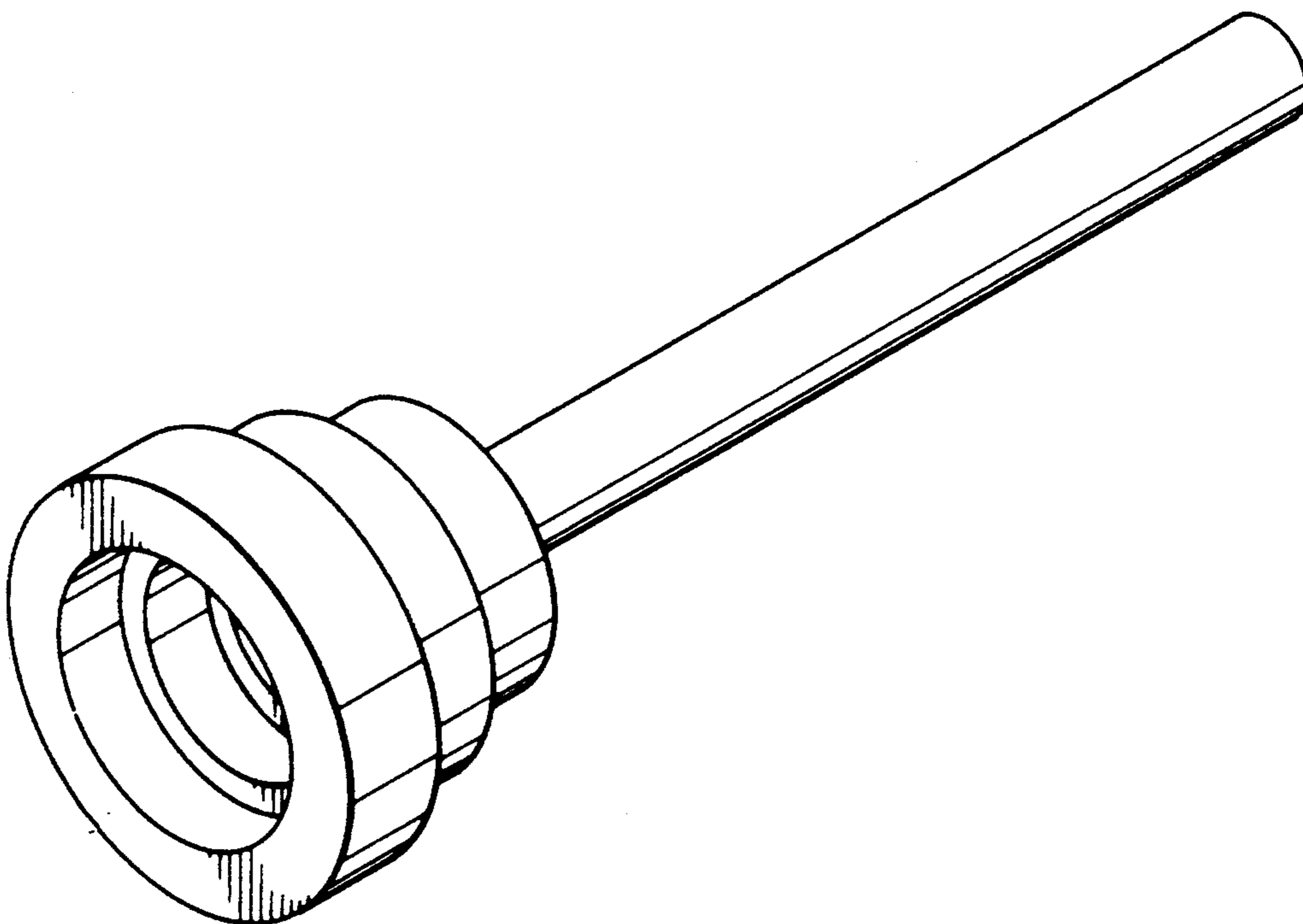
D. 46,996	2/1915	Howell	D8/14
D. 155,489	10/1949	Mesquita	D8/14
D. 297,499	9/1988	Whitney	D8/14
D. 297,803	9/1988	Rooney	D8/90
D. 320,923	10/1991	Leopoldi	D8/321
1,668,043	5/1928	Bixly	16/114
2,721,597	10/1955	Pitrella	16/82
2,808,282	10/1957	Peoples	292/347
3,262,585	7/1966	Olson	294/64
3,582,116	6/1971	Young	16/121
3,656,793	4/1972	Mathews	294/19.1
3,764,175	10/1973	Yavitch	294/1.1

[57] **CLAIM**

The ornamental design for a tool for grasping round knobs, as shown.

DESCRIPTION

FIG. 1 is a perspective view of the tool for grasping round knobs;
FIG. 2 is a side view of the tool for grasping round knobs;
FIG. 3 is an end view of the left end of the design of FIG. 2; and,
FIG. 4 is an end view of the right end of the design of FIG. 2.



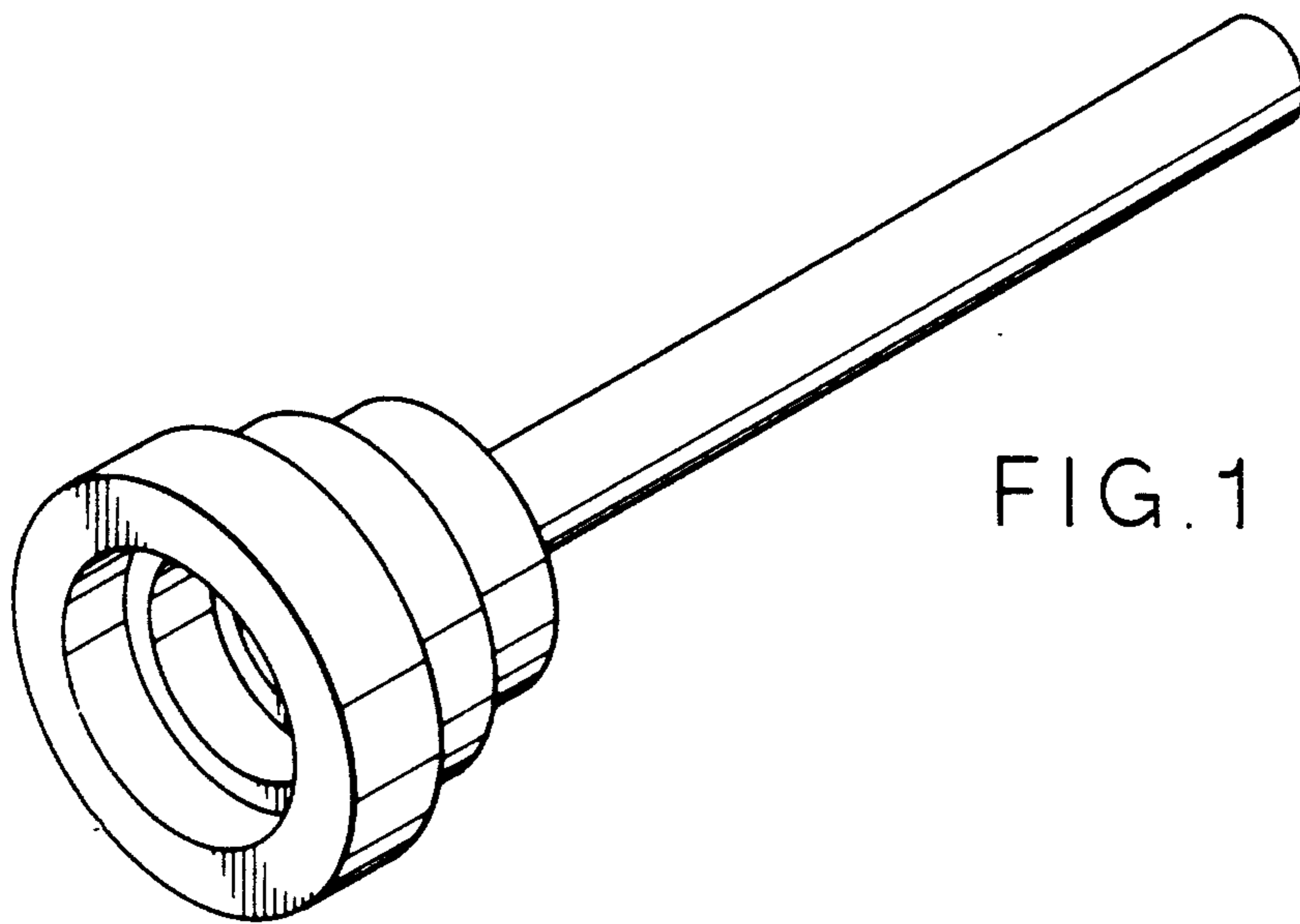


FIG. 1

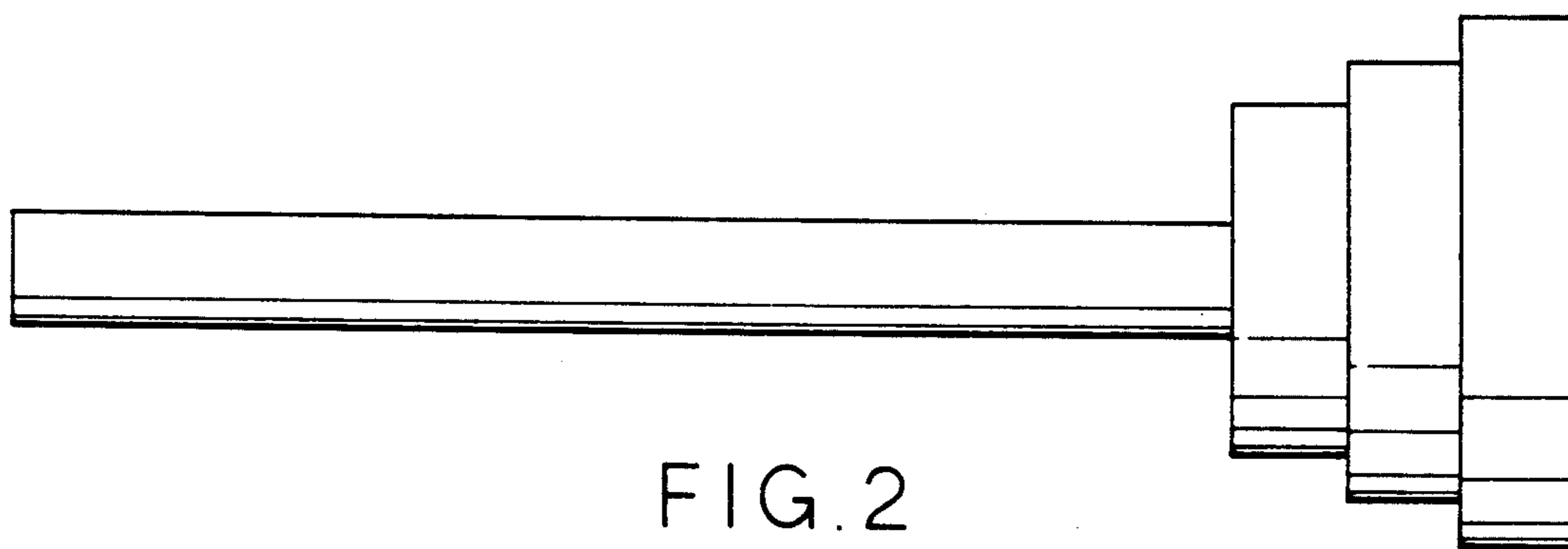


FIG. 2

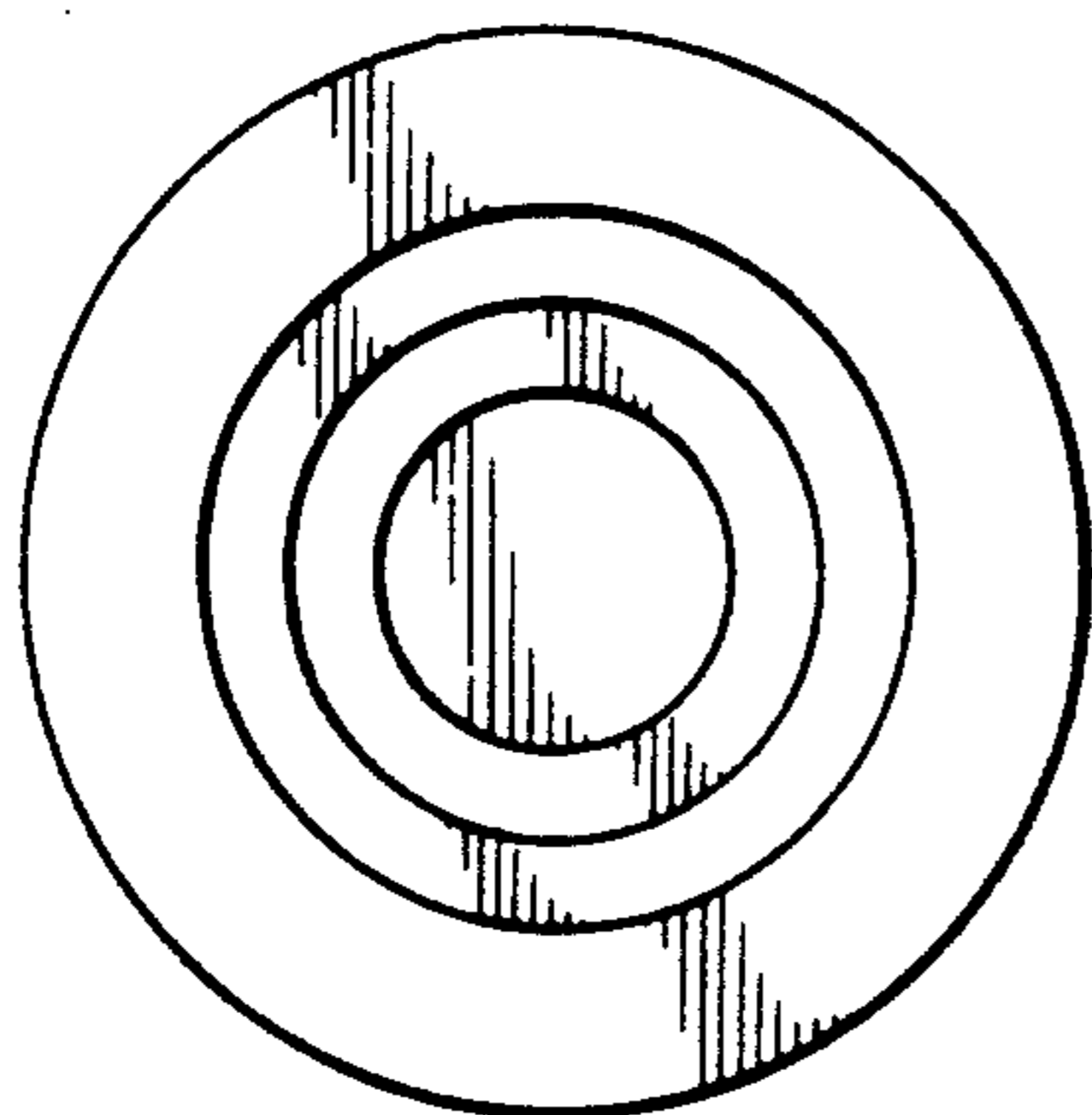


FIG. 3

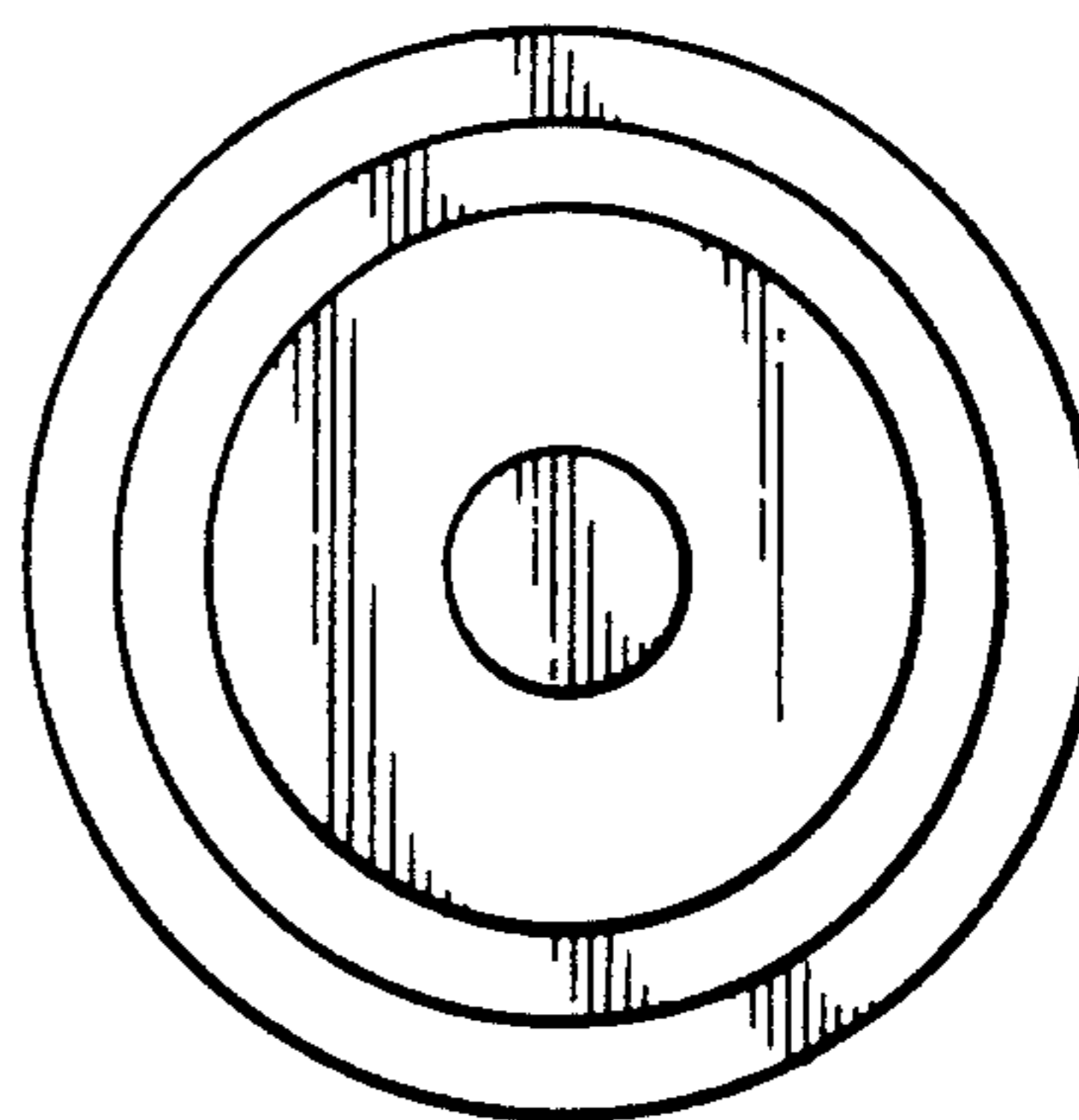


FIG. 4